



U.S. Patent No.
10,731,912; 10,739,055

Kason 1825LE Pressure Relief Port

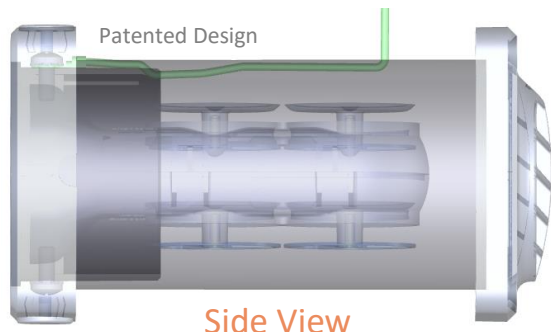
(Low Temperature + Extendable)

New and Improved Replacement for the Kason® 1825 Pressure Relief Port

1825LE Overview

Integrated Heat Sync
-30 °F (-34.44 °C)

Dual Port Staged Valves

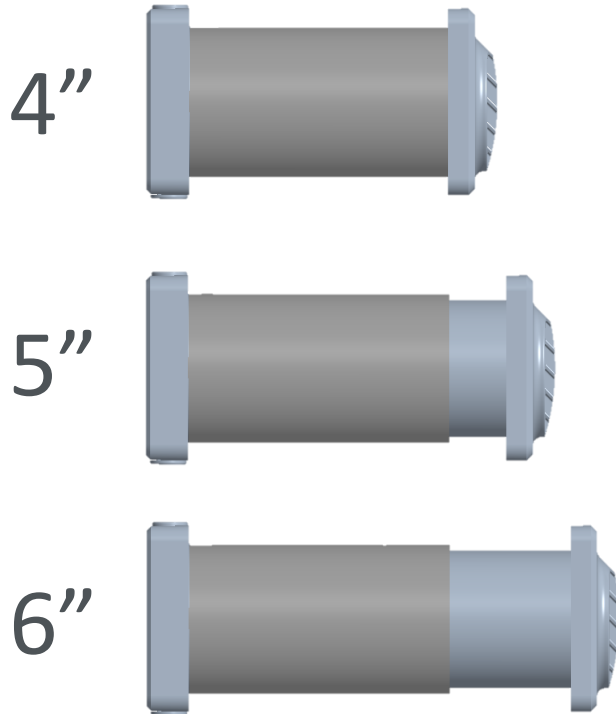


Small Footprint
2.85" sq. (72.39 mm)

Adjustable 4" – 6"

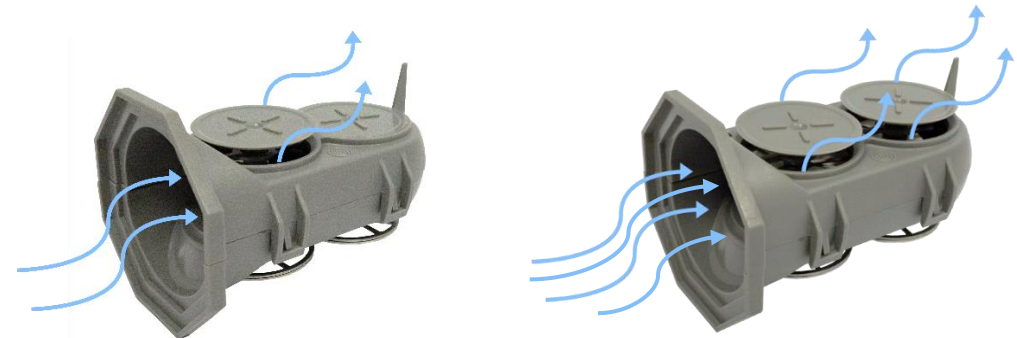
2.5" Diameter Hole

1825LE Telescoping Body



- Adjustable Tube
Reduces SKU Management

1825LE Dual Port Staged Valves



Intermediate Airflow

High Capacity Airflow

- Faster and More Efficient Pressure Equalization
- Maximized Airflow from 2.5" Diameter Hole
- Improves Ability to Open/Close Door

1825 vs. 1825LE Features Comparison



1825



1825LE

Small Footprint	★ ★ ★ ★ ★	★ ★ ★ ★ ★
2.5" Hole Diameter	★ ★ ★ ★ ★	★ ★ ★ ★ ★
120V/230V	★ ★ ★ ★ ★	★ ★ ★ ★ ★
Heated + Non Heated versions	★ ★ ★ ★ ★	★ ★ ★ ★ ★
Aluminum Louver Heat Sync	na	★ ★ ★ ★ ★
Efficient Airflow	★ ★ ★ ★	★ ★ ★ ★ ★
Dual Port Valve	na	★ ★ ★ ★ ★
Telescopic Adjustment (4"-6")	na	★ ★ ★ ★ ★
Temperature Range	-20 °F (-28.88 °C)	-30 °F (-34.44 °C)
Electrical Usage	4 Watts	5 Watts

1825 vs. 1825LE SKU Comparison

(Heated/non-heated models available)



1825

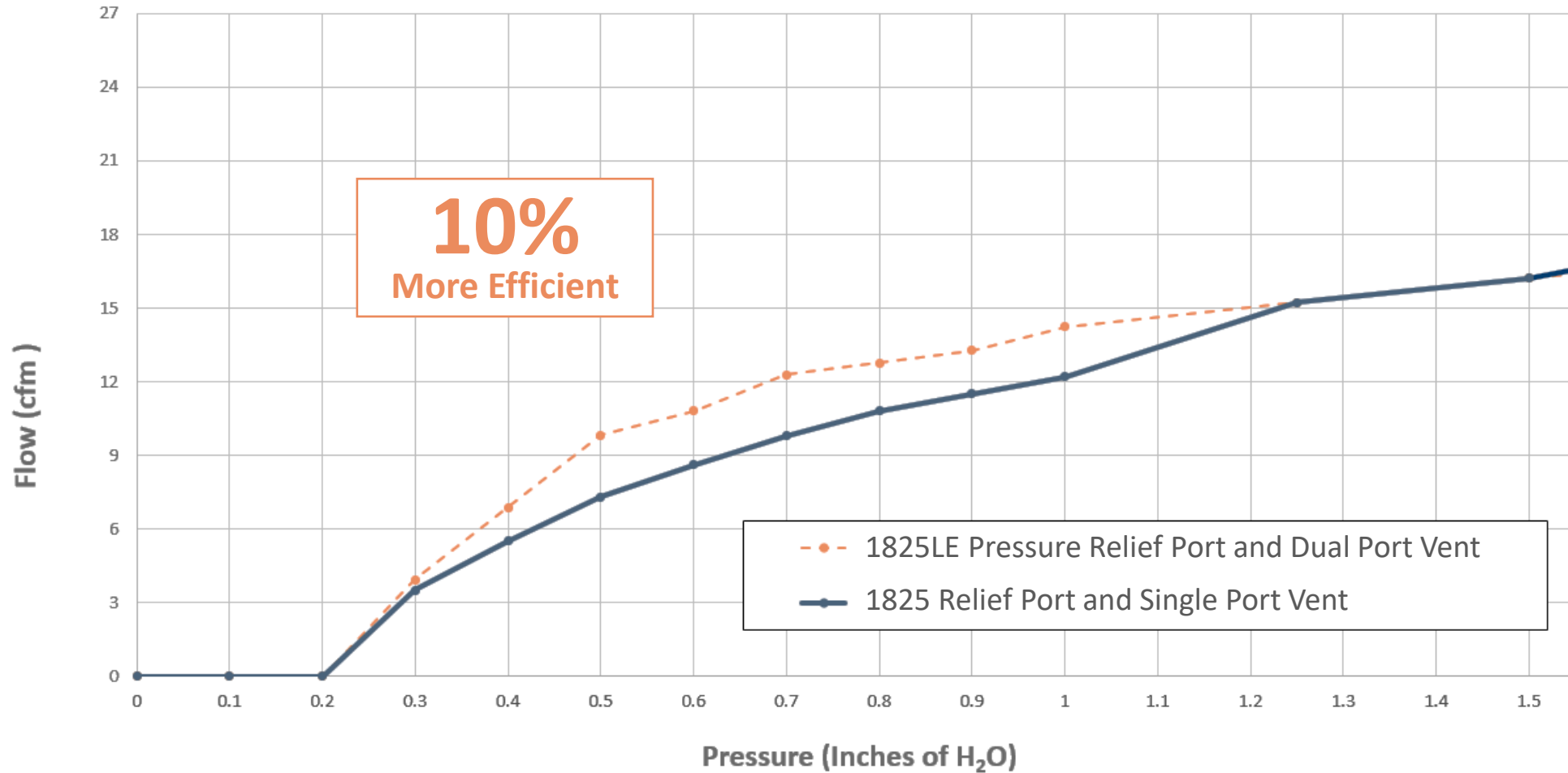


1825LE

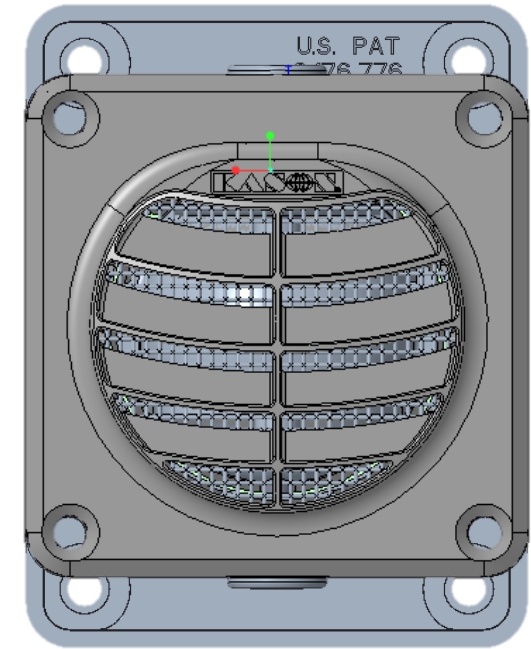
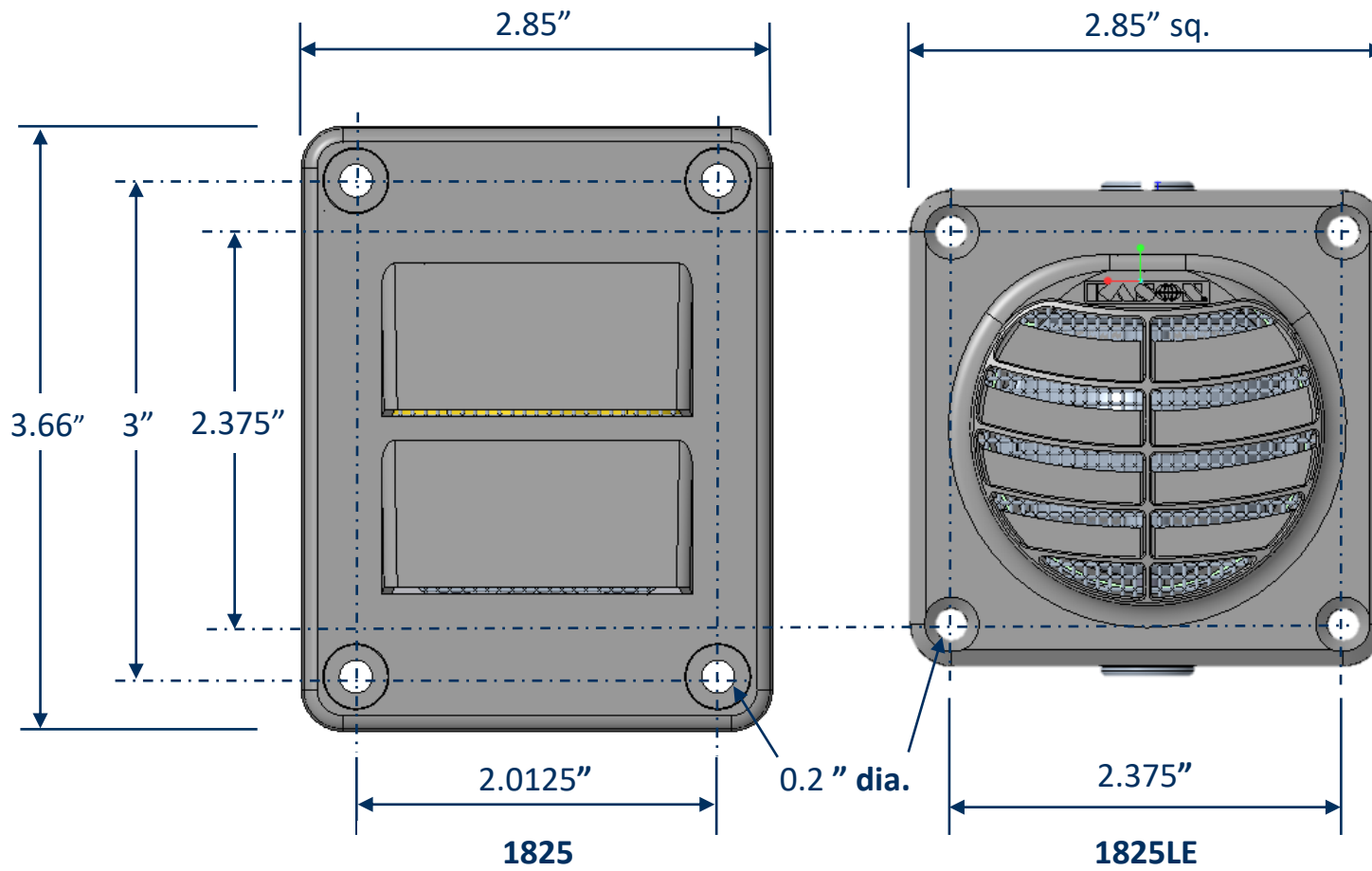
1825-403	3" WALL	1825LE-403 3" WALL (limited expandability)
1825-4	4" WALL	
1825-405	5" WALL	
1825-455	5.5" WALL	
1825-406	6" WALL	1825LE-4 4"- 6" WALL

1825 vs. 1825LE

Airflow and Pressure Comparison



1825 vs. 1825LE Bolt Pattern Comparison



Overlay Comparison



Kason® 1825LE
Intelli-Vent® Pressure Relief Port



Kason® 1826
Intelli-Vent® LED Security Light,
Junction Box (Heated)



Kason® 1827
Intelli-Vent® Telescoping (Heated)



Kason® 1847
Intelli-Vent® High-Flow
Pressure Relief Port

Thank You



Kason® 1830
Small Spring Valve (Heated)



Kason® 1832
Large Spring Valve (Heated)



Kason® 1832DBL
Low-Temp (Heated)



Kason® 1834
Small Spring Valve (Unheated)



Kason® 1836
Large Spring Valve (Unheated)