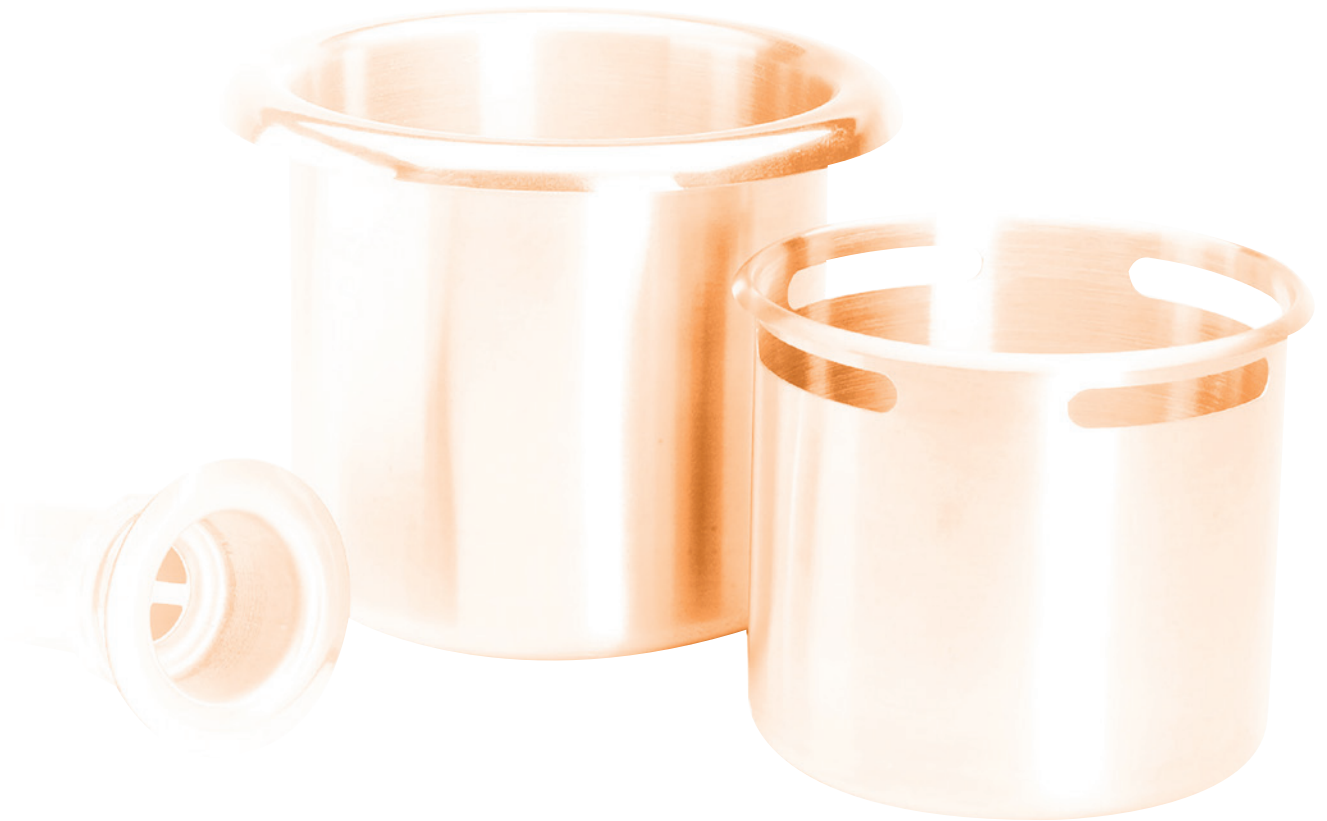




It's Better with Kason.

# Cabinet & Cafeteria Accessories

1.800.935.2766 | [kasonind.com](http://kasonind.com)



## The Kason Mission

---

### To Protect your Product Integrity

Our customers go to great lengths to build top-of-the-line coolers, freezers, foodservice equipment, industrial enclosures and delivery vans. Our goal is to preserve your product integrity by providing the highest quality door hardware and accessories for both original equipment and replacement applications.

End users need to protect products and processes, and lower operating costs. Their first line of defense is stable, airtight enclosures with doors that open with ease and close securely.

Since 1926, Kason has promised and delivered just that. Kason's extensive lines of walk-in and reach-in door hardware satisfy the most demanding requirements. Demonstrate the value of your products with the most innovative, dependable and longlasting hardware in the business.

### Research and Testing

Every Kason product must fulfill our customers' requirements. Before we develop a new product, we research the needs of both our industry and end users. We are never satisfied with the status quo. Our dedicated research and development staff continually search for pioneering design concepts. They insist on engineering integrity, extensive product testing and precise, in-line quality control. That is how we have developed such successful and trustworthy products as SafeGuard® inside releasing safety latches, Pacesetter handles and hinges, stainless steel hinges and latches and truck door handles with removable cylinder locks.

### Creative Concepts

Leading equipment manufacturers turn to Kason when they want a unique look of their own. We will adapt a stock product, design custom hardware or partner with your design engineers to develop a signature appearance just for your products. Building special and customized hardware is routine at Kason.

### Quality

Kason production facilities boast state-of-the-art installations, featuring fully automated die casting, polishing and electroplating, as well as a full range of electronically controlled and robotic machinery. We require the finest raw materials, accurate machine tolerances and the highest level of Finishing. Skilled, experienced people maintain the Kason tradition of production excellence. Our unremitting commitment to superior manufacturing assures you consistently high quality products at the lowest possible cost. Quality assurance is integrated into every step of Kason operations to from engineering research and development through packaging and shipping.

### Service

The lifeline to all your foodservice needs is our efficient and friendly Customer Service Department. A representative can quickly track product availability or the status of your order with our computerized inventory and order control system. Count on dependable global delivery as we serve you from Kason distribution centers in the continental United States and Canada as well as through authorized distributors throughout the world.

### Our Promise

Satisfying your needs is our top priority. That is why Kason supplies you with hardware and accessories that reflect the same quality you demand in your own products. We strive to demonstrate an attitude that makes you want to do business with us. At Kason we offer a tradition of excellence, a philosophy of innovation and the most trusted name in specialty commercial hardware.

## Contacts

---

### USA Sales & Distribution Centers

1.800.93KASON (800.935.2766)

### Kason Industries, Inc.

---

#### Global Headquarters

57 Amlajack Boulevard | Newnan, GA 30265-1015, USA  
800.935.3550 | FAX: 770.251.4854  
Info@kasonind.com

#### Kason Foodservice Division

31 Amlajack Boulevard | Newnan, GA 30265-1015, USA  
866.231.2157 | FAX: 770.252.8397  
FoodService@kasonind.com

#### Kason International Division

57 Amlajack Boulevard | Newnan, GA 30265-1015, USA  
770.304.3000 | FAX: 770.251.4854  
International@kasonind.com

#### Kason Vinyl Division

31 Amlajack Boulevard | Newnan, GA 30265-1015, USA  
800.472.7450 | FAX: 770.252.8397  
Vinyl@kasonind.com

#### Kason Canada Branch

226 Industrial Pkwy North, Unit 2 | Aurora, Ontario, L4G 4C3, Canada  
905.713.6515 | FAX: 905.713.6518  
Canada@kasonind.com

#### Kason Central Branch

8889 Whitney Drive | Lewis Center, OH 43035-7106, USA  
740.549.2100 | FAX: 740.549.0701  
Central@kasonind.com

#### Kason Mid-America Branch

1239 Atlantic Avenue | Kansas City, MO 64116-4141, USA  
816.472.7450 | FAX: 816.472.8580  
MidAmerica@kasonind.com

#### Kason Western Branch

1500 East Wooley Road, Suite E  
Oxnard, CA 93030-7385, USA  
805.247.1088 | FAX: 805.247.1164  
Western@kasonind.com

## Catalog Icons

---



Walk-In



Casters & Caster Legs



Vinyl



Plumbing



Sliding Doors



Cabinet & Cafeteria



Lighting & Electrical



Canopy Hood



Reach-In



Fabrication Supplies



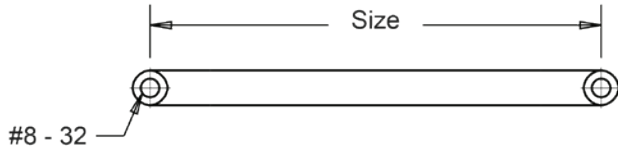
Equipment Legs



Truck Body

0080 Series Stainless Steel Drip Plates .....	374	7319 Series Flat Bearings with 1/4" (6 mm) Rivet .....	360
0100SL Security Locks.....	348	7319 Series Flat Bearings with 1/4-20 Screw.....	359
0260 Series Stainless Steel Drawer Slides.....	357	7319 Series Flat Bearings with Smooth Hole.....	359
0310 Stainless Steel U-Bend .....	369	7319 Series Stainless Steel Screws for Flat Bearings.....	360
0382 Classic Pull.....	341	7321 Series Stainless Steel Handles .....	342
0450 Series Glass Fillers.....	374	7324 Series Conveyor Rollers.....	376
0520 Series Extra Heavy-Duty Drawer Slides.....	356	7405 Cutting Boards.....	379
0521 Series Two-Rail Drawer Slides.....	356	7500 Stainless Steel Glass Capping, Mirror Molding, Divider Bars and Cap Strips.....	377
0523 Stainless Steel Drawer Slides .....	357	7501 Series Solid Rubber Bumpers, Grommets, and Sleeve .....	355
0535 Series Roller Grip (Doors/Drawers) .....	351	7502-801 Stainless Steel Thumbscrews .....	345
0571 Wire Pull Handle .....	340	7502-901 Brass Female Stud.....	345
0573 Offset Pull.....	341	7503 Series End Caps.....	370
0574 Die Cast Handle .....	340	7504 Dipperwell Assembly Kit.....	372
0576 Stainless Steel Handle .....	340	7504 Scrap Blocks .....	372
0578 Offset Pull.....	341	7504 Series Scrap Chutes .....	373
0905 Series Recessed Plastic Handles.....	344	7509 Soap Dispenser .....	366
0915 Series Decorator Handles.....	343	7600-200 T-Bolt Lock.....	347
0916 Series Heavy-Duty Stainless Steel Handles .....	342	7600-400 Plunger Lock.....	347
1655 Series Tubular Supports .....	370	7600 Series Utility Locks.....	348
1700 Series Expanding Fasteners.....	370	7602 Series Cash Drawer and Currency Tray.....	363
1701 Series Knurled Bushings .....	376	Concave Ball Bearing Systems.....	360
5001 Heavy-Duty Pull .....	341	Custom Gaskets .....	364
7100 Pot Rack Banding.....	371	Custom Made Gasket Frame-Quote & Order Form.....	365
7100 Series Pot Rack Hooks.....	371	Drawer Slides Rollers and Wheels .....	358
7102 Series Drawer Assemblies.....	361	Drop Shelf Brackets .....	367
7104 Series Stainless Steel Sink Inserts.....	375	End Caps For U-Bend and Elbows.....	369
7106 Escutcheon Plates.....	378	Heavy-Duty Thermoplastic Drawer Pans .....	362
7107 Series Stainless Steel Elbows .....	369	Stainless Steel Drawer Pans .....	362
7300 Lid Cover Brackets.....	371	Stationary Shelf Brackets .....	368
7301 Series Stainless Steel Continuous Hinges .....	353	Tray Slide Brackets.....	368
7303 Series Stainless Steel Butt Hinges .....	352	U-Bends and Elbows .....	369
7304 Stainless Steel Latch Hinges .....	353		
7305 Stainless Steel Pivot Hinge.....	346		
7306 Series Stainless Steel Lift-Off Hinges .....	352		
7307 Series Stainless Steel Lift-Off Flag Hinges.....	352		
7308 Series Heavy-Duty Stainless Steel Handles.....	343		
7309 Series Pull Knobs.....	345		
7310 Series Stainless Steel Recessed Handles.....	344		
7311 Hasp and Staple.....	346		
7312 Series Tight-Action Catches.....	346		
7313 Drop Handle.....	346		
7314-100/200/300/400 Series Magnetic Catches.....	349		
7314-501 High Temperature Cabinet Catch .....	350		
7315 Series Cabinet Door Catches.....	351		
7318 Series Overhead Door System.....	354		

### 0571 Wire Pull Handle



#### Specifications

**Material**

Steel wire with satin chrome finish

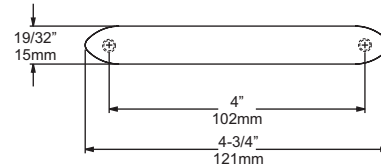
**Mounting Holes**

Tapped for No. 8-32 screws

**Packaging**

1" (25.4 mm) screws

### 0574 Die Cast Handle



#### Specifications

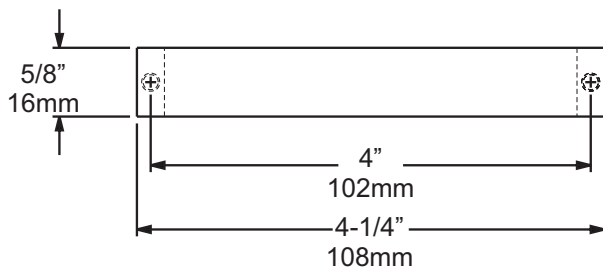
**Material**

High Pressure die cast zinc with polished chrome finish

**Mounting Holes**

Tapped for No. 10-24 screws or thumbscrews

### 0576 Stainless Steel Handle



#### Specifications

**Material**

1/4" (6.0 mm) stainless steel

**Mounting Holes**

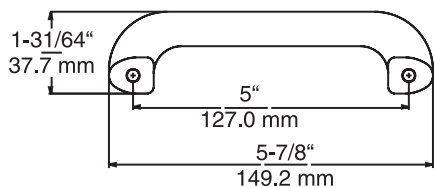
Tapped for No. 8-32 screws

Part No.	Description	Qty./ Carton	Wgt./ Carton
60571000300	Stainless Steel 3" (76.2 mm) Wire Pull	50	6.9 lb (3.1 kg)
60571000350	Stainless Steel 3-1/2" (88.9 mm) Wire Pull	50	7.2 (3.3 kg)
60571000400	Stainless Steel 4" (101.6 mm) Wire Pull	50	7.8 (3.5 kg)
10574000004	Die cast Pull Handle	50	6.4 lb (2.9 kg)
60576000004	Stainless Steel 4" (101.6 mm) Pull Handle	25	6.5 lb (2.9 kg)
60576000005	Stainless Steel 5" (127 mm) Pull Handle	50	14.7 lb (6.7 kg)



0574/0576

0573 Offset Pull



Specifications

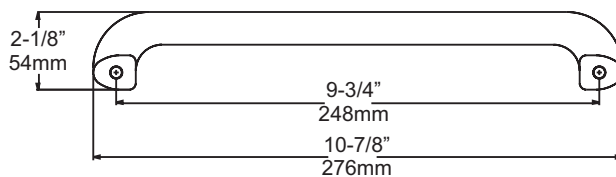
**Material**

High Pressure die cast zinc with polished chrome finish

**Mounting Holes**

5" (127mm) O.C., Drilled and tapped for 1/4- 20 screws

0578 Offset Pull



Specifications

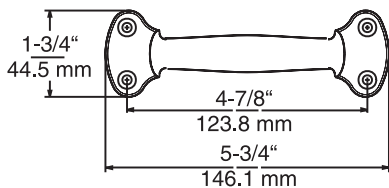
**Material**

High Pressure die cast zinc with polished chrome finish

**Mounting Holes**

9-3/4" (247.7 mm) O.C., Drilled and tapped for 5/16-18 screws

0382 Classic Pull



Specifications

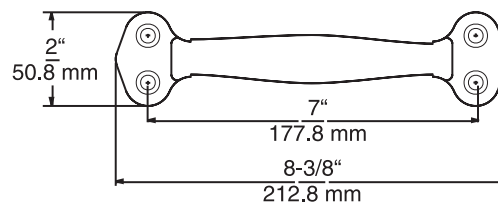
**Material**

High Pressure die cast zinc with polished chrome finish

**Mounting Holes**

4-1/2" (114.3 mm) O.C. Drilled and countersunk for No. 8 (4.0 mm) screws

5001 Heavy-Duty Pull



Specifications

**Material**

High Pressure die cast zinc with polished chrome finish

**Mounting Holes**

Drilled and countersunk for 1/4" (6.0 mm) screws

Part No.	Description	Qty./Carton	Wgt./Carton
10573000004	Offset Pull Handle	144	55.1 lb (25.0 kg)
10578000004	Large Offset Pull Handle	50	52.4 lb (23.8 kg)
10382000004	Classic Pull Handle	100	25 lb (11.3 kg)
15001SP0004	HD Pull Handle	50	44 lb (20 kg)

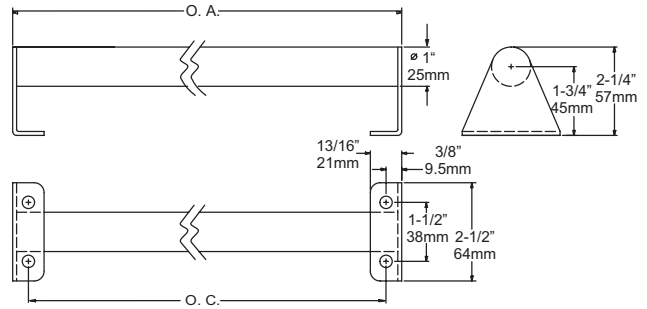
©2024 Kason Industries, Inc.

0324 LIT 001

## 0916 Series Heavy-Duty Stainless Steel Handles

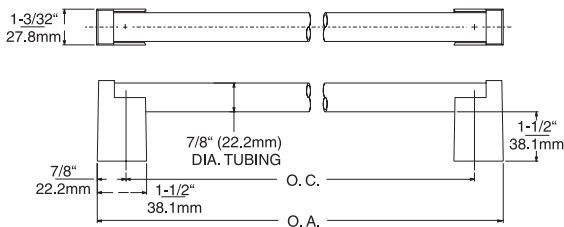
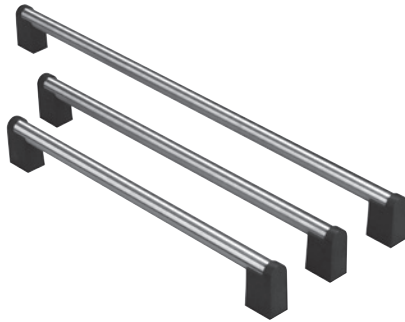


- #304 stainless steel with #4 satin finish tubing and brackets
- 16 GA x 1" (25 mm) diameter tubing
- 5/16" (8 mm) mounting holes
- Custom lengths available



Part No.	Length	Qty./Carton	Wgt./Carton
60916002087	20-7/8" (530 mm) O.A.; 20-1/8" (511 mm) O.C.	16	22.7 lb (10.3 kg)
60916002656	26-9/16" (675 mm) O.A.; 25-13/16" (656 mm) O.C.	16	27.7 lb (12.6 kg)

## 7321 Series Stainless Steel Handles



- Heavy-duty, stainless steel tubing
- Insulating standoffs are heat-resistant to 400°F (204.4°C)
- Through-mounting assures maximum strength
- Three standard sizes
- Easy-grip, streamlined design
- Custom lengths available (6" minimum)

### Specifications

#### Material

7/8" (22.2 mm) #304 stainless steel 16 gauge; glass reinforced, polyester resin insulators

#### Finish

No. 4 satin

#### Mounting Holes

1/4-20 threaded screw holes

Part No.	Length	Qty./Carton	Wgt./Carton
673210000041637	17-7/8" (454 mm) O.A.; 16-3/8" (416 mm) O.C.	12	10.0 lb (4.5 kg)
673210000041887	20-3/8" (518 mm) O.A.; 18-7/8" (480 mm) O.C.	12	11.2 lb (5.1 kg)
673210000042637	27-7/8" (708 mm) O.A.; 26-3/8" (670 mm) O.C.	24	31.0 lb (14.1 kg)

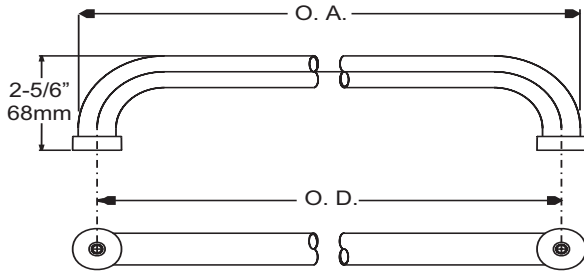
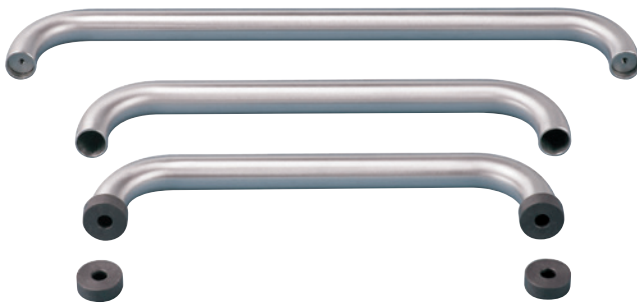


0916



7321

## 7308 Series Heavy-Duty Stainless Steel Handles



- Available with or without heat-resistant, glass reinforced, polyester resin insulators
- Custom lengths available

### Specifications

#### Material

7/8" (22.2 mm), #304 stainless steel 16 gauge tubing

#### Finish

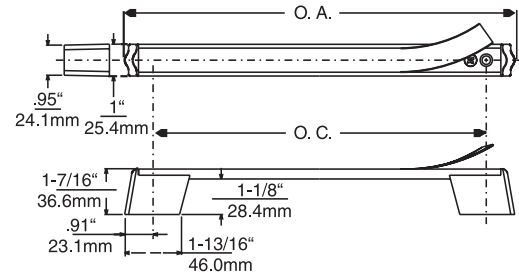
No. 4 satin

#### Mounting Holes

1/4-20 threaded screw holes

Part No.	Description	Length	Qty./Carton	Wgt./Carton
67308000003	Handle Only	11-5/8" (295 mm) O.A., 13/4" (273 mm) O.C.	24	15.8 lb (7.2 kg)
67308000004	Handle w/ Insulators	11-5/8" (295 mm) O.A., 13/4" (273 mm) O.C.	24	16.3 lb (7.4 kg)
67308000005	Handle Only	12-7/8" (327 mm) O.A., 12" (305 mm) O.C.	24	16.1 lb (7.3 kg)
67308000006	Handle w/ Insulators	12-7/8" (327 mm) O.A., 12" (305 mm) O.C.	24	16.6 lb (7.5 kg)
67308000007	Handle Only	18-7/8" (479 mm) O.A., 18" (457 mm) O.C.	24	22.4 lb (10.2 kg)
67308000008	Handle w/ Insulators	18-7/8" (479 mm) O.A., 18" (457 mm) O.C.	24	22.4 lb (10.2 kg)
67308000010	Stand-off Insulator	N/A	48	4.8 lb (2.2 kg)

## 0915 Series Decorator Handles



- Heat-resistant, heavy-duty construction
- Black vinyl insert conceals screw holes
- Styling complements Kason hinges
- Front-mount and dual-mount models

### Specifications

#### Material

Aluminum handle with clear anodized dip, black glass heat-resistant nylon bases and flexible vinyl insert. Dual-mount model has threaded bushings for rear mounting

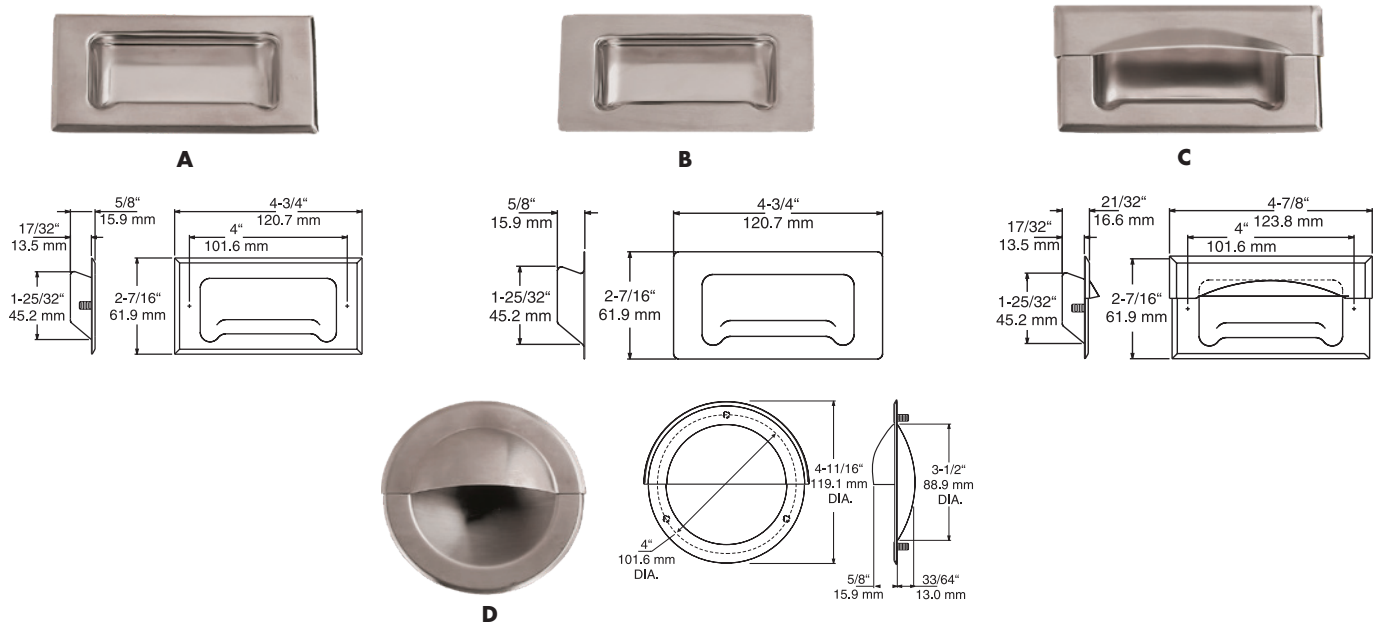
#### Mounting Holes

Accepts No. 10-32 x 1-3/4" flat head screws and No. 10-32 hex jam nut

Part No.	Description	Length	Qty./Carton	Wgt./Carton
60915000004	Front Mount	12-7/8" (327 mm) O.A., 15/8" (270 mm) O.C.	50	23 lb (10.4 kg)
60915000005	Dual Mount	12-7/8" (327 mm) O.A., 15/8" (270 mm) O.C.	50	25 lb (11.4 kg)
60915000006	Front Mount Steel Screws	7-13/16" (198 mm) O.A., 6" (127 mm) O.C.	50	13.5 lb (6.1 kg)

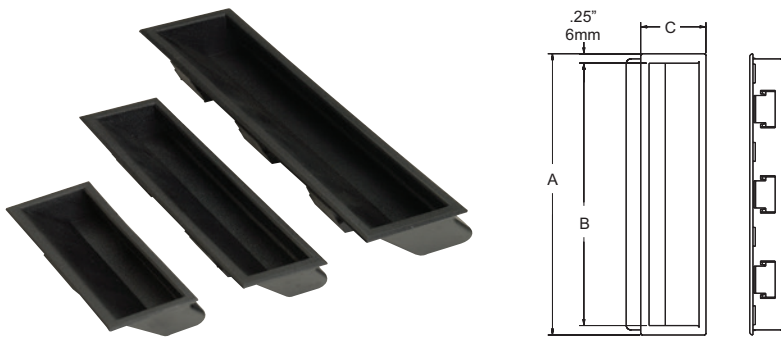
NOTE: Additional sizes available upon request.

## 7310 Series Stainless Steel Recessed Handles



Ref.	Part No.	Description	Mounting	Qty./Carton	Wgt./Carton
A	67310000004	Beveled Edge	Thru Studs, Lock Nuts Provided	50	5 lb (2.3 kg)
B	67310000006	Flush	For Welding	50	5 lb (2.3 kg)
C	67310000018	Full Grip, Beveled Edge	Thru Studs, Lock Nuts Provided	50	16 lb (7.3 kg)
D	67310000010	Round Full Grip Thru Studs	Thru Studs, Lock Nuts Provided	80	7 lb (3.2 kg)
Not Shown	67310000011	Round Full Grip, No Studs	For Welding	80	16 lb (7.3 kg)

## 0905 Series Recessed Plastic Handles



- Easy-grip handle mounts with door panel
- Fully recessed pull won't catch or snag

### Specifications

#### Material

Black ABS plastic

#### Panel Thickness

For nominal 22 gauge

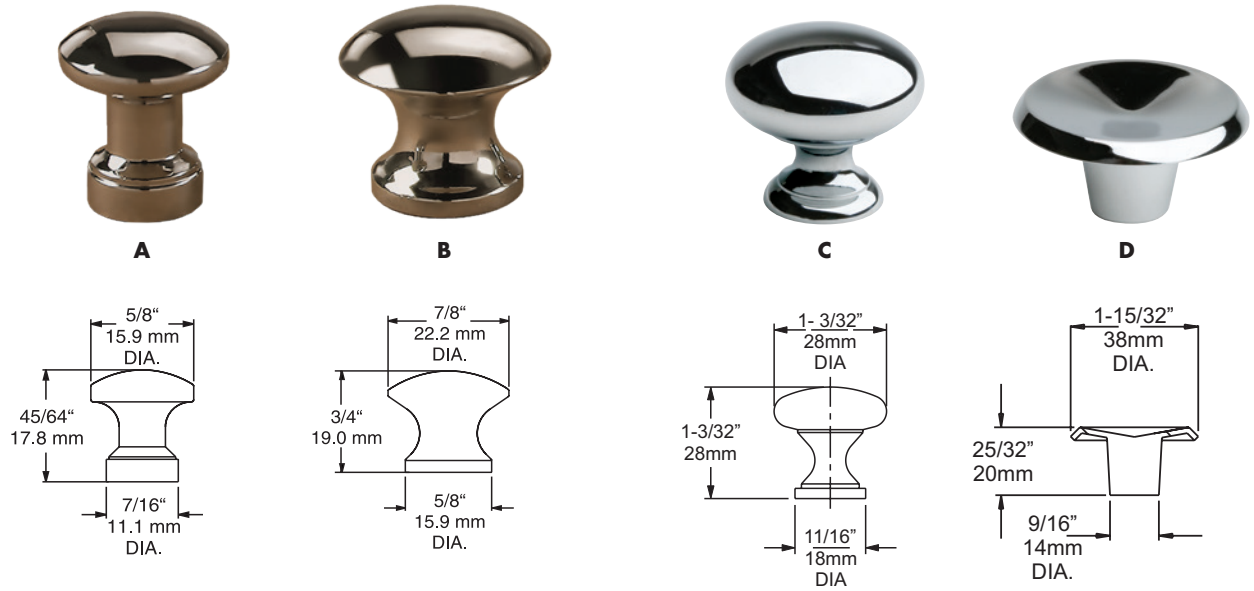
Part No.	Nom. Length	Dim. A	Dim. B	Dim. C	Panel Thickness	Cutout	Qty./Carton	Wgt./Carton
60905000004	7"	7.45" (189 mm)	6.95" (177 mm)	1.7" (44 mm)	0.030" to 0.045"	7.235 (183.8 mm) x 1.530 (38.9 mm)	100	11 lb (5.0 kg)
60905000052	5"	5.44" (138 mm)	5.01" (127 mm)	1.4" (36 mm)	0.055" to 0.070"	5.20 (132.1 mm) x 1.210 (30.7 mm)	50	2.5 lb (1.1 kg)
60905000031	3"	3.61" (92 mm)	3.26" (83 mm)	1.4" (36 mm)	0.040" to 0.055"	3.45 (87.6 mm) x 1.210 (30.7 mm)	50	1.5 lb (0.7 kg)

Ask about custom sizes.



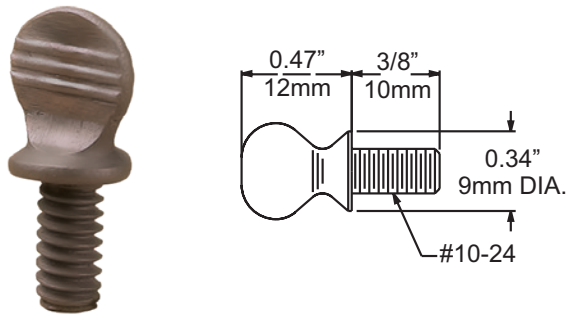
0905





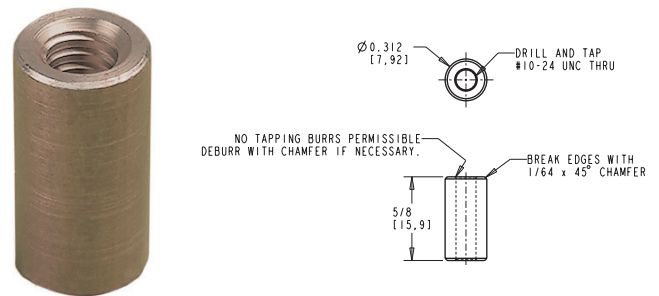
Ref.	Part No.	Description	Diameter	Qty./Carton	Wgt./Carton
A	67309000004	Small Pull Knob, Polished Chrome, Accepts No. 8-32 Screws	5/8" (16 mm)	100	3.0 lb (1.4 kg)
B	67309000006	Medium Pull Knob, Polished Chrome, Accepts No. 8-32 Screws	7/8" (22 mm)	100	6.0 lb (2.7 kg)
C	67309000008	Large, Round Pull Knob, Polished Chrome, Accepts No. 8-32 Screws	1-3/32" (28 mm)	100	19.4 lb (8.8 kg)
D	67309000010	Dished Pull Knob, Polished Chrome, Accepts No. 8-32 screws	1-15/32" (38 mm)	100	6.0 lb (2.7 kg)

7502-801 Stainless Steel Thumbscrews



Meets NSF requirements for mounting handles or pulls without tools

7502-901 Brass Female Stud



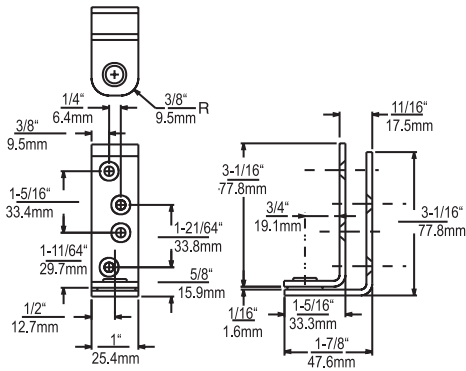
Converts male stud to female

Part No.	Description	Diameter	Qty./Carton	Wgt./Carton
67502000901	Female Stud, No. 10-24	5/8" (16 mm)	1000	10 lb (4.5 kg)
67502000801	Stainless Steel Thumbscrew, No. 10-24	3/8" (9.5 mm)	1000	10 lb (4.5 kg)

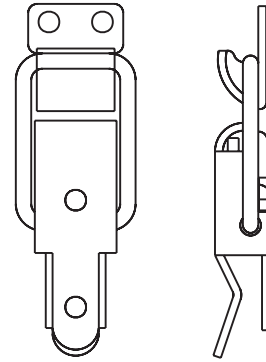
©2024 Kason Industries, Inc. 0324 LIT 001



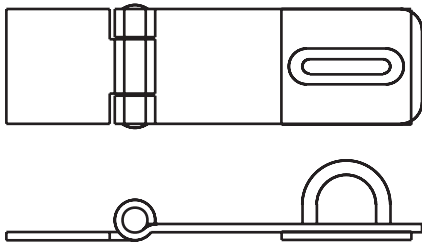
### 7305 Stainless Steel Pivot Hinge



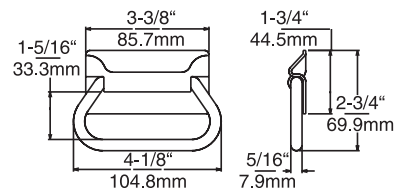
### 7312 Series Tight-Action Catches



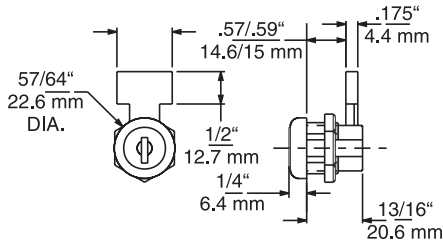
### 7311 Hasp and Staple



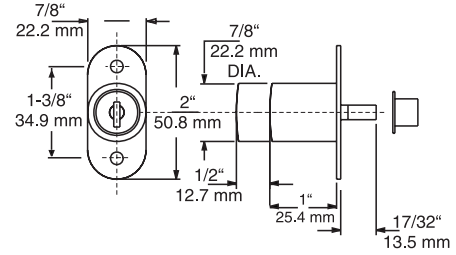
### 7313 Drop Handle



Part No.	Description	Qty./Carton	Wgt./Carton
67305000076	Stainless Steel	50	11.5 lb (5.2 kg)
67312000004	Catch, 2-1/4" x 1" (57 x 25 mm)	100	6.0 lb (2.7 kg)
67312000006	Catch 3-13/32" x 1-1/4" (100 x 32 mm)	10	1.6 (0.73 kg)
67311000004	Hasp, 2-1/2" x 1" (64 x 25 mm)	1	0.12 lb (0.05 kg)
67311000006	Hasp, 3-1/2" x 1-1/2" (89 x 38 mm)	1	0.24 lb (0.11 kg)
67313000004	Straight Back Drop Handle SS	50	17.2 lb (7.8 kg)
67313000005	Drop Handle SS	200	26.0 lb (11.8 kg)



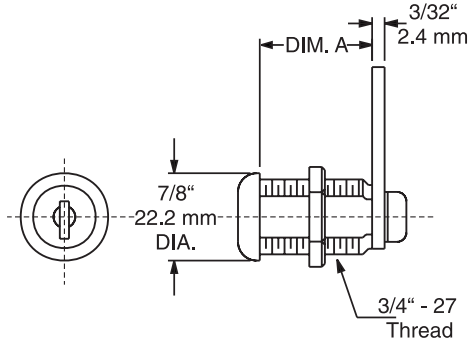
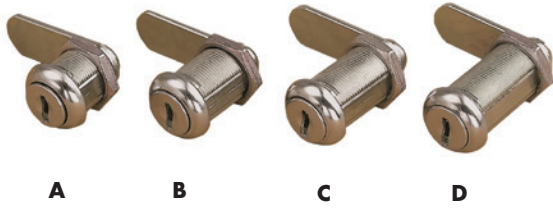
- T-bolt lock with five-disc cylinder for hollow metal drawers and foamed-in-place doors
- Heavy-duty vertical dead bolt removes for installation
- Two brass keys included
- Stainless steel faced cylinder
- Mounts through double-D hole; fastens with hex nut



- Used for horizontal sliding doors
- 90° right turn-unlock
- Chrome plated
- 2 keys provided

Part No.	Description	Qty./Carton	Wgt./Carton
67600000200	T-Bolt Lock	50	6.8 lb (3.1 kg)
67600000400	Plunger Lock	50	9.0 lb (4.1 kg)

## 7600 Series Utility Locks



- Disc cylinder. Key is removable in locked or unlocked position
- Two brass keys included
- Four barrel lengths for materials from 5/8" to 1-3/8" (16 to 35 mm) thick
- 180° rotation standard
- 90° rotation optional

### Specifications

#### Material

Die cast zinc with highly polished chrome finish with stainless steel scalp and zinc plated steel cam

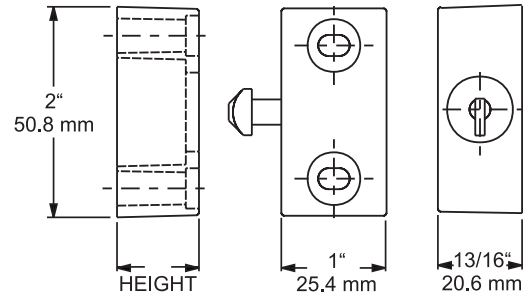
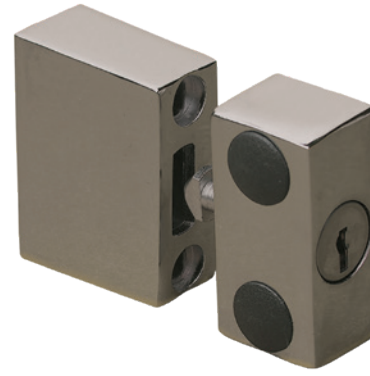
#### Mounting

Mounts through double-D hole; fastens with hex nut

Ref.	Part No.	Dim. A	Qty./ Carton	Wgt./ Carton
A	67600000500	5/8" (16 mm)	50	7.2 (3.3 kg)
B	67600000501	7/8" (22 mm)	50	7.2 (3.3 kg)
C	67600000502	1-1/8" (27 mm)	50	7.2 (3.3 kg)
D	67600000503	1-3/8" (35 mm)	50	7.2 (3.3 kg)

Specify keyed alike

## 0100SL Security Locks



- 4-disc cylinder for extra security
- Durable, highly polished chrome finish
- Easy to install at factory or in field
- Vertical and horizontal adjustments
- Compatible with glass and most other doors
- Black plastic caps included
- Improved to be more forgiving of misalignment

### Specifications

#### Material

Highly polished chrome plated Zamak body with stainless steel faced cylinder

#### Mounting

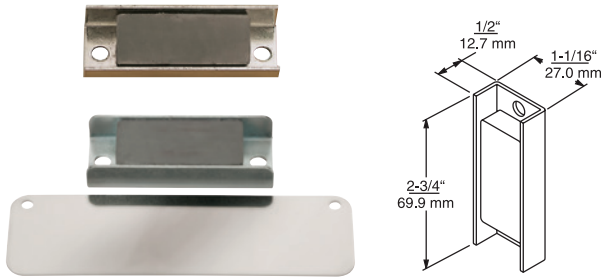
Drilled and countersunk for No. 8 (4.0 mm) screws.  
Two finishing plugs provided

Part No.	Description	Strike Height	Qty./ Carton	Wgt./ Carton
10100SL0004277	Security Lock	25/32" (20 mm)	100	37.8 lb (17.1 kg)

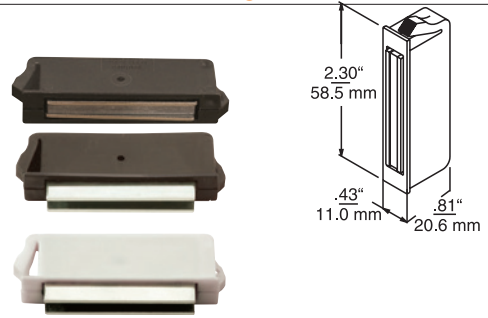


0100SL

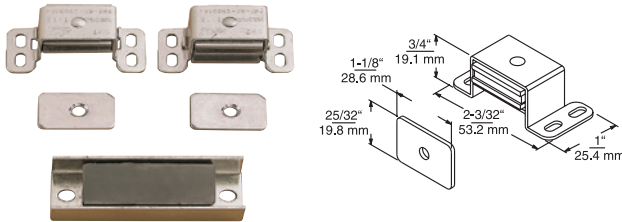
7314-101/102/103 Magnetic Catches



7314-0302/1302/1312 Magnetic Catches



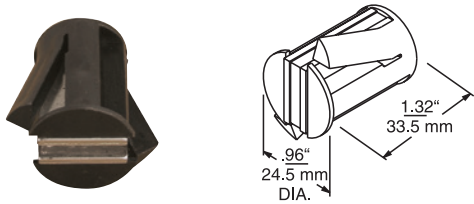
7314-201/202 Magnetic Catches



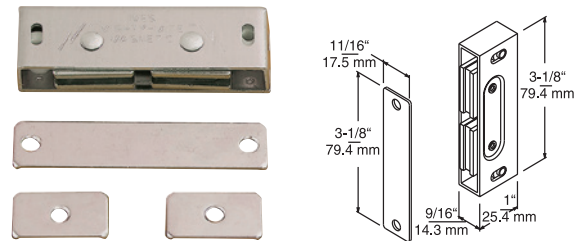
7314-303 Magnetic Catches



7314-301 Magnetic Catches

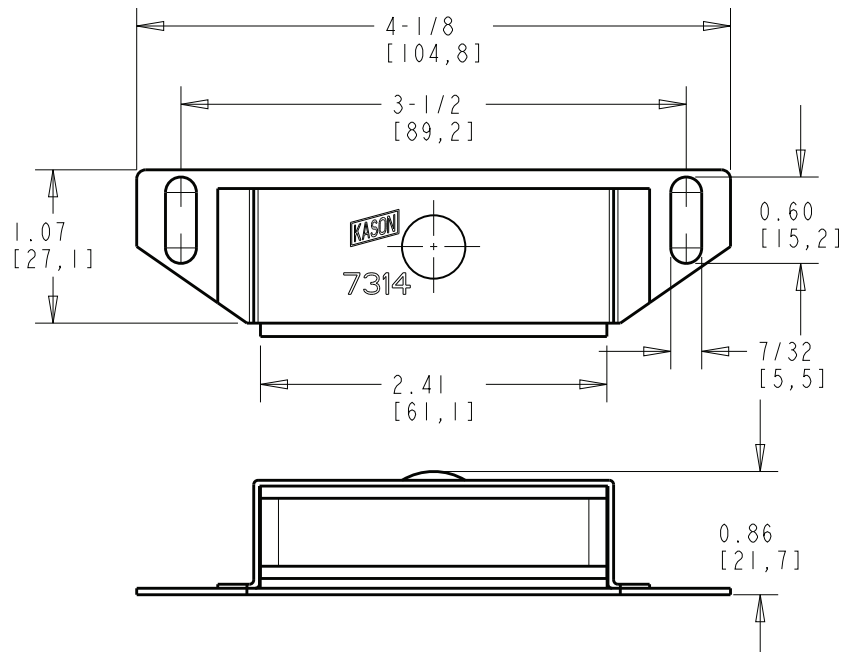


7314-401 Magnetic Catches



Part No.	Description	Material	Mounting	Qty./Carton	Wgt./Carton
67314000101	Single Ceramic, 25 lb (11 kg) Pull	Zinc plated steel pole plate	1/4" (6 mm) Holes	100	19.0 lb (8.6 kg)
67314000102	Double Ceramic, 40 lb (18 kg) Pull				
67314000302	Snap-in, Single Magnet, 7 lb (3 kg) Pull	Black polypropylene	Snaps into 0.38" x 2-1/4" (10 x 57 mm) Rectangular opening	100	6.0 lb (2.7 kg)
67314001302	Single w/ Extended Pole Plate, 7 lb (3 kg) Pull				
67314001312	Single w/ Extended Pole Plate, 7 lb (3 kg) Pull	White polypropylene	(10 x 57 mm) Rectangular opening	500	40.0 lb (18.4 kg)
67314000201	Single Magnet, 8 lb (4 kg) Pull	Aluminum housing, zinc plated steel pole plate and strike	#6 Screws	500	45.0 lb (20.4 kg)
67314000202	Double Magnet, 16 lb (7 kg) Pull				
67314000301	Snap-in Single Magnet, Cylindrical 7 lb (3 kg) Pull	Black polypropylene	Snaps into 7/8" (22 mm) diameter opening	100	6.9 lb (3.1 kg)
67314000303	Snap-in Double Magnet, 14 lb (6 kg) Pull	Black polypropylene	Snaps into 3/4" x 2-1/4" (19 x 57 mm) rectangular opening	100	14.0 lb (6.4 kg)
67314000401	Heavy-duty Double Magnet 7-10 lb (13.6 kg) Pull	Aluminum housing, zinc plated steel pole plate and strike	#6 Screws	50	10.5 lb (4.8 kg)

## 7314-501 High Temperature Cabinet Catch

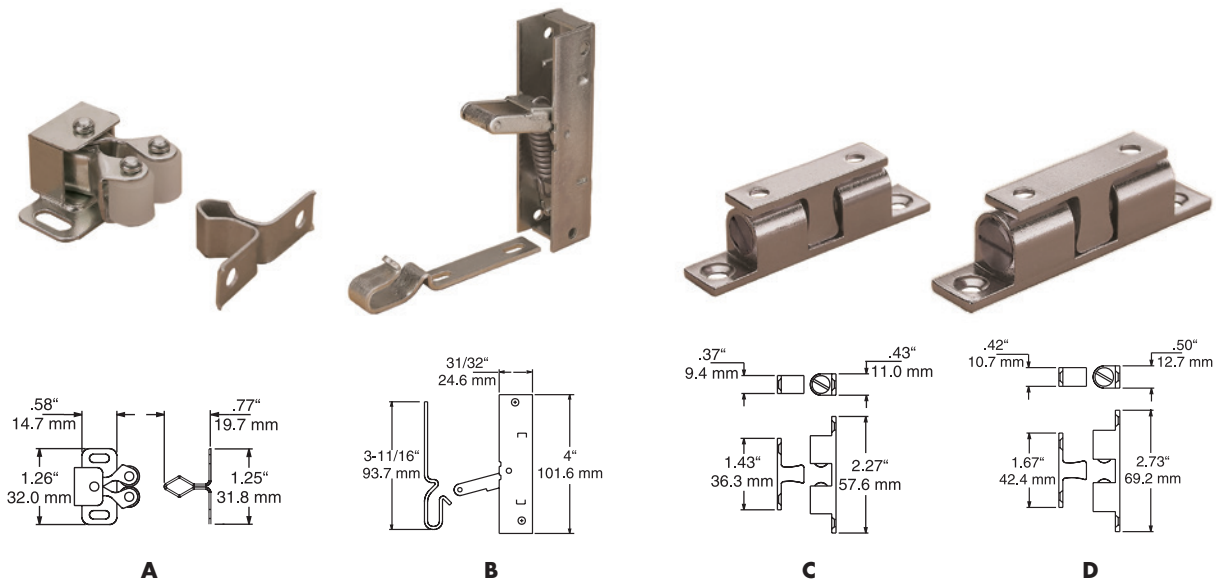


- Holding Force: 40 lb (18 kg)
- Operating Temperature:  $-40^{\circ}\text{F}$  to  $500^{\circ}\text{F}$  ( $4.4^{\circ}\text{C}$  to  $260^{\circ}\text{C}$ ), Intermittent  $600^{\circ}\text{F}$  ( $315^{\circ}\text{C}$ )

## Specifications

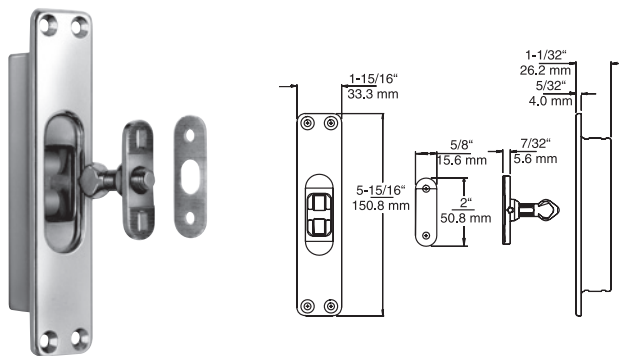
**Material**

Housing: 300 Series Stainless Steel  
 Mounting Plate: 300 Series Stainless Steel  
 Magnet: Ceramic  
 Rivet: 300 Stainless Steel  
 Pole Plate: Cold Rold Steel Bright Zinc Plated  
 Spacer Plate: Aluminum



Ref.	Part No.	Description	Material	Mounting	Qty./Carton	Wgt./Carton
A	67315000101	Friction with Spring Action Rollers	Steel, Zinc Plated	Surface	50	1.5 lb (0.7 kg)
B	67315000202	Heavy-Duty Snap Action, Adjustable Tension, 8 lb (36N) Pull	Steel, Nickel Plated	Surface	50	18.5 lb (8.4 kg)
C	67315000301	Adjustable Spring Loaded Ball Tension	Brass, Nickel Plated, SS Balls	Surface	20	1.8 lb (0.8 kg)
D	67315000302	Heavy-Duty 4-way Adjustable Spring Loaded Ball Tension	Brass, Nickel Plated, SS Balls	Mortise or Surface Mount	20	5.2 lb (2.4 kg)

0535 Series Roller Grip (Doors/Drawers)



- Kason Original – the standard for concealed latching on doors and drawers
- Tapered strike assures complete closure
- Strike adjusts up/down or side to side
- Use on doors and drawers

Specifications

Material

High pressure die cast zinc tongue housing and strike; nylon rollers

Finish

Polished chrome

Mounting

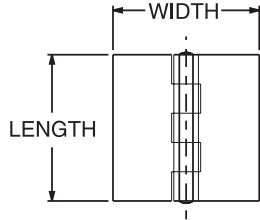
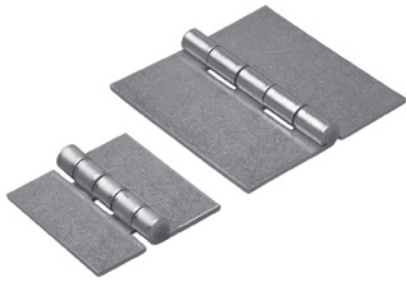
Tongue housing drilled and countersunk for No. 10 (5.0 mm) screws. Strike has slotted screw holes

Part No.	Description	Separating Force	Qty./Carton	Wgt./Carton
10535H00004	Roller Grip w/ Heavy Spring	26 to 36 lb (116 to 160 N)	24	Approx. 17.5 lb (7.9 kg) per carton
10535M00004	Roller Grip w/ Medium Spring	19 to 25 lb (85 to 111 N)	24	Approx. 17.5 lb (7.9 kg) per carton
10535L00004	Roller Grip w/ Light Spring	12 to 18 lb (53 to 80 N)	24	Approx. 17.5 lb (7.9 kg) per carton



0535

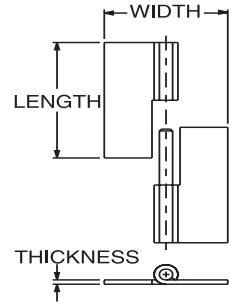
### 7303 Series Stainless Steel Butt Hinges



- 0.075" (2 mm) thick
- 0.187" (5 mm) pin diameter

Part No.	Width/Open	Length	Qty./Carton	Wgt./Carton
67303000004	2" (51 mm)	2" (51 mm)	20	2.8 lb (1.3 kg)
67303000008	3" (76 mm)	3" (76 mm)	20	5.6 lb (2.5 kg)

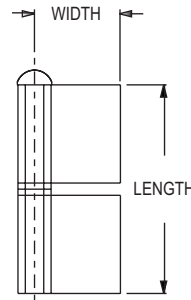
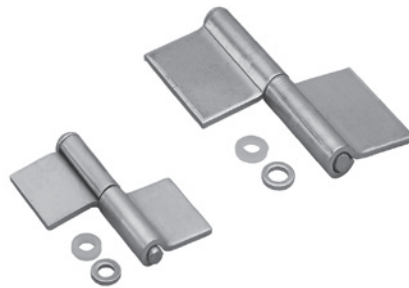
### 7306 Series Stainless Steel Lift-Off Hinges



0.075" (2 mm) thick

Part No.	Description	Width	Length	Qty./Carton	Wgt./Carton
67306L00003	Left Opening	1-1/4" (31.75 mm)	2" (51 mm)	12	1.0 lb (0.5 kg)
67306R00003	Right Opening	1-1/4" (31.75 mm)	2" (51 mm)	12	1.0 lb (0.5 kg)
67306L00004	Left Opening	1-3/4" (44.5 mm)	2" (51 mm)	12	1.0 lb (0.5 kg)
67306R00004	Right Opening	1-3/4" (44.5 mm)	2" (51 mm)	12	1.0 lb (0.5 kg)
67306L00006	Left Opening	2" (51 mm)	3" (76 mm)	12	2.2 lb (1.0 kg)
67306R00006	Right Opening	2" (51 mm)	3" (76 mm)	12	2.2 lb (1.0 kg)
67306L00303	Left Opening	3" (76 mm)	3" (76 mm)	12	
67306R00303	Right Opening	3" (76 mm)	3" (76 mm)	12	

### 7307 Series Stainless Steel Lift-Off Flag Hinges

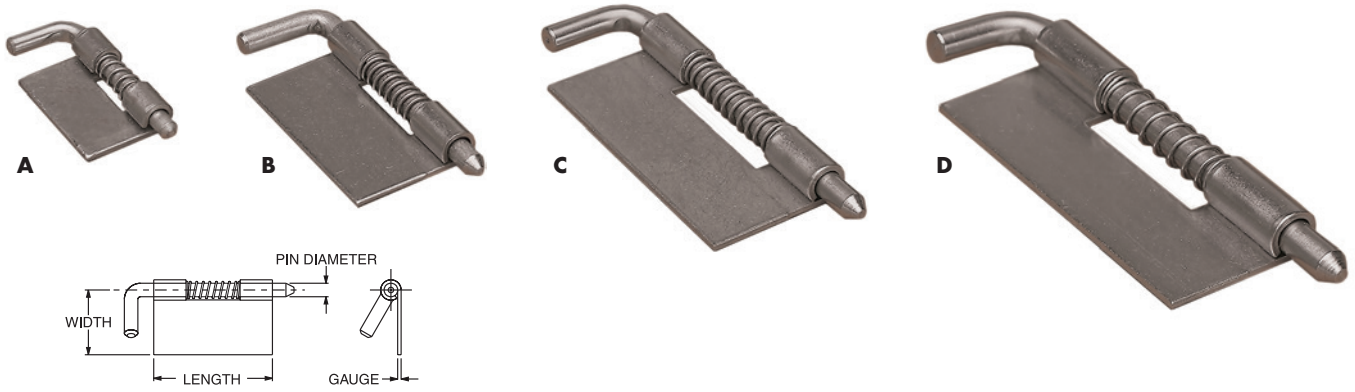


- Stainless steel and nylon bearing
- 0.075" (2 mm) thick
- Right or left-hand application
- Swedged knuckle
- No mortising of door or jamb
- Minimum door clearance needed

Part No.	Width	Length	Pin Diameter	Qty./Carton	Wgt./Carton
67307000004	7/8" (22 mm)	2-1/8" (54 mm)	3/16" (5 mm)	100	8.0 (3.6 kg)
67307000006	1-5/32" (28 mm)	3-1/8" (79 mm)	1/4" (6 mm)	100	18 lb (8.2 kg)

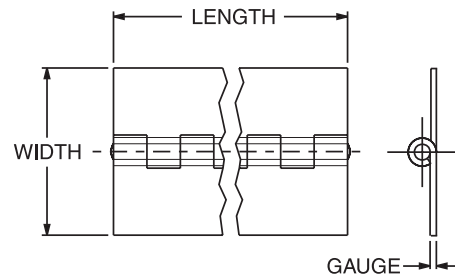






Ref.	Part No.	Gauge	Width	Length	Pin Dia.	Qty./Carton	Wgt./Carton
A	67304000004 67304L00004	0.040" (1.0 mm)	1/2" (13mm)	7/8" (22 mm)	1/8" (3.2 mm)	20	0.2 lb (0.1 kg)
B	67304000006 67304L00006	0.040" (1.0 mm)	3/4" (19mm)	1-3/8" (35 mm)	5/32" (4.0 mm)	20	0.5 lb (0.2 kg)
C	67304000008 67304L00008	0.050" (1.3 mm)	7/8" (22 mm)	2" (51 mm)	3/16" (4.8 mm)	20	1.2 lb (0.5 kg)
D	67304000010 67304L00010	0.062" (1.6 mm)	1" (25 mm)	2-3/4" (70 mm)	1/4" (6.4 mm)	20	2.4 lb (1.1 kg)

7301 Series Stainless Steel Continuous Hinges

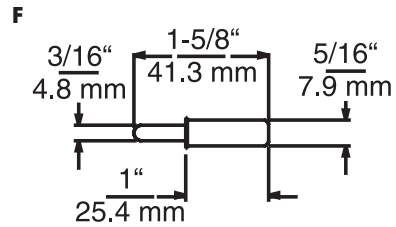
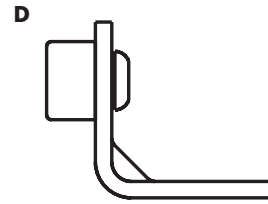
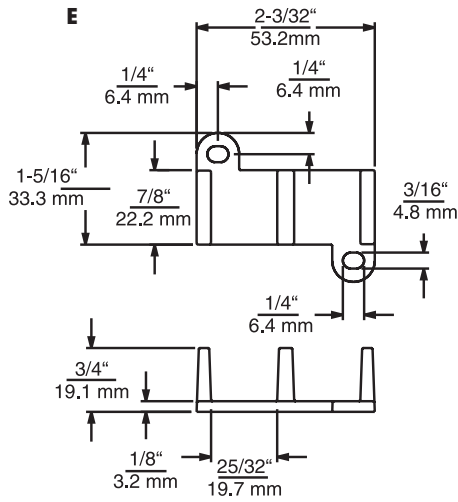
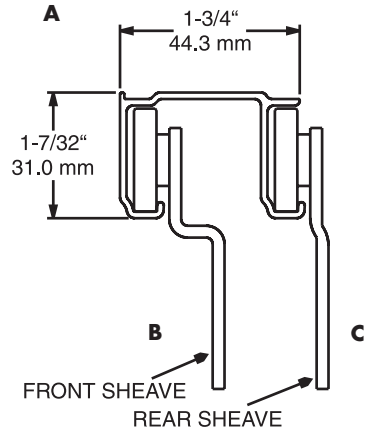
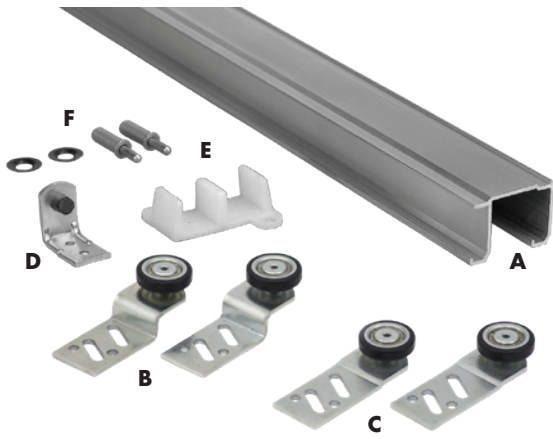


- 18/8 stainless steel hinge with stainless steel pin
- 72" (1829 mm) length
- Furnished without holes

Part No.	Gauge	Width	Pin Dia.	Qty./Carton	Wgt./Carton
67301035075	0.035" (0.9 mm)	3/4" (19 mm)	0.086	20	20 lb (9.1 kg)
67301035106	0.035" (0.9 mm)	1-1/16" (27 mm)	0.086	20	25 lb (11.3 kg)
67301035150	0.035" (0.9 mm)	1-1/2" (38 mm)	0.086	20	32 lb (14.5 kg)
67301040106	0.040" (1.0 mm)	1-1/16" (27 mm)	0.091	20	29 lb (13.2 kg)
67301040150	0.040" (1.0 mm)	1-1/2" (38 mm)	0.091	20	36 lb (16.3 kg)
67301040200	0.040" (1.0 mm)	2" (51 mm)	0.091	20	45 lb (20.4 kg)
67301050200	0.050" (1.3 mm)	2" (51 mm)	0.120	20	55 lb (25.0 kg)
67301060150	0.060" (1.5 mm)	1-1/2" (38 mm)	0.120	20	55 lb (25.0 kg)
67301060200	0.060" (1.5 mm)	2" (51 mm)	0.120	20	66 lb (30.0 kg)
67301060250	0.060" (1.5 mm)	2-1/2" (64 mm)	0.120	20	77 lb (35.0 kg)

Call for other available sizes.

## 7318 Series Overhead Door System



Ref.	Part No.	Description		Qty./ Carton	Wgt./Carton
	67318003310048		48" (1219 mm) L	20	30.3 lb (13.7 kg)
	67318003310060		60" (1524 mm) L	20	38.0 lb (17.2 kg)
A	67318003310072	Overhead Sliding Door Track, Extruded Aluminum	72" (1829 mm) L	20	45.5 lb (20.6 kg)
	67318003310120		120" (3048 mm) L	20	75.8 lb (34.4 kg)
	67318003310144		144" (3658 mm) L	20	91.0 lb (41.3 kg)
	67318000004	Front Door Sheave. Side-mounted, Zinc Plated Steel Hanger for 3/4" (19 mm) Door	Flat, Nylon Surface, Steel Races, Ball Bearing Wheel	100	9.0 lb (4.1 kg)
B	67318000005	Rear Door Sheave. Side-mounted, Zinc Plated Steel Hanger for 3/4" (19 mm) Door	Flat, Nylon Surface, Steel Races, Ball Bearing Wheel	100	9.0 lb (4.1 kg)
	67318000006		Flat, Zinc Plated Steel Ball Bearing Wheel	100	9.0 lb (4.1 kg)
C	67318000007		Flat, Nylon Surface, Steel Races, Ball Bearing Wheel	100	9.0 lb (4.1 kg)
D	67318000009	Door Stop	Zinc Plated Steel, Rubber Bumper	100	4.0 lb (1.8 kg)
E	67318000010	Door Guide, For 3/4" (19 mm) Sliding Doors	Nylon, for Bypassing Installation	100	2.0 lb (0.9 kg)
F	67318000011	Guide Pin	Spring-loaded, Push On Speed Nuts	100	1.0 lb (0.5 kg)



Ref.	Part No.							Qty./ Carton
<b>Recessed Bumpers</b>								
1	67501000101	5/8" (16 mm)	5/16" (8 mm)	3/16" (5 mm)	1/8" (3 mm)	1/4" (6 mm)	3/16" (5 mm)	10
2	67501000102	15/16" (24 mm)	3/8" (10 mm)	3/16" (5 mm)	3/16" (5 mm)	3/8" (10 mm)	0.16" (4 mm)	10
<b>Stem Bumpers</b>								
3	67501000201	3/8" (10 mm)	5/16" (8 mm)	0.196" (5 mm)	3/16" (5 mm)	1/8" (3 mm)	--	100
<b>Button Bumpers</b>								
4	67501000301	3/8" (10 mm)	1/4" (6 mm)	1/4" (6 mm)	5/16" (8 mm)	3/32" (2 mm)	3/64" (1.5 mm)	100
	67501000302	1/2" (13 mm)	3/8" (10 mm)	3/16" (5 mm)	1/4" (6 mm)	1/8" (3 mm)	1/16" (2 mm)	100
5	67501000303	1/2" (13 mm)	3/8" (10 mm)	3/16" (5 mm)	1/4" (6 mm)	3/16" (5 mm)	1/16" (2 mm)	100
<b>Grommets</b>								
6	67501001101	9/16" (14 mm)	1/4" (6 mm)	1/4" (6 mm)	1/16" (2 mm)	3/8" (10 mm)	--	100
	67501001102	5/8" (16 mm)	3/8" (10 mm)	1/4" (6 mm)	1/16" (2 mm)	1/2" (13 mm)	--	100
	67501001103	13/16" (21 mm)	1/2" (13 mm)	0.28" (5 mm)	1/16" (2 mm)	5/8" (16 mm)	--	100
7	67501001104	9/16" (14 mm)	1/4" (6 mm)	5/16" (8 mm)	1/8" (3 mm)	3/8" (10 mm)	--	100
<b>Large Diameter Grommets</b>								
8	67501001201	1-7/8" (47 mm)	1-1/8" (29 mm)	3/8" (10 mm)	1/16" (2 mm)	1-1/2" (38 mm)	--	100
	67501001202	2-7/8" (73 mm)	2-1/8" (54 mm)	7/16" (11 mm)	1/16" (2 mm)	2-1/2" (64 mm)	--	100
<b>Pressure Sensitive Bumpers</b>								
9	67501000401	1/5" (5 mm)	7/16" (11 mm)	--	--	--	--	56
	67501000402	0.38" (10 mm)	3/4" (19 mm)	--	--	--	--	56
<b>Conduit Sleeve</b>								
10	67501000002	See Drawing	--	--	--	--	--	20

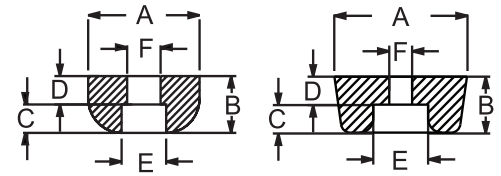


Fig. 1

Fig. 2

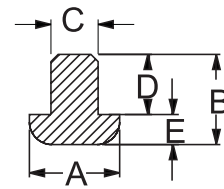


Fig. 3

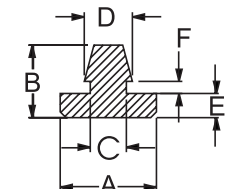


Fig. 4

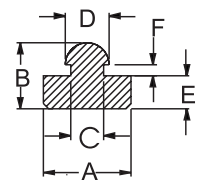


Fig. 5

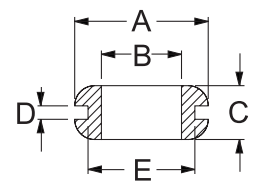


Fig. 6

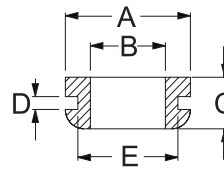


Fig. 7

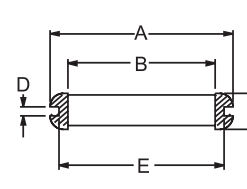


Fig. 8

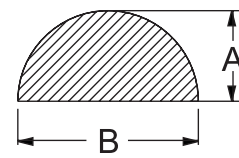


Fig. 9

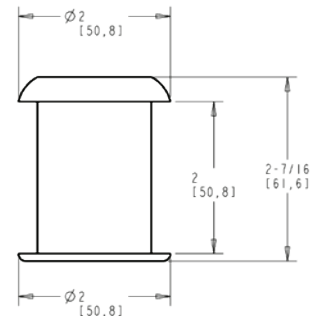
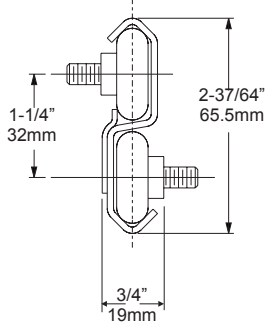


Fig. 10



## 0520 Series Extra Heavy-Duty Drawer Slides

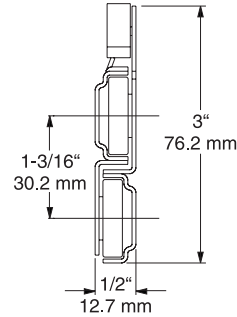


- #300 series, 14 GA stainless steel slides
- Stainless steel or Delrin rollers with stainless steel ball bearings and screws
- Height is 2-7/16" (62 mm)
- Side mounting with simple installation and removal
- Full travel drawer extension for easy access
- Slides stay in position even when drawer is removed
- (8) ball bearing assemblies included; additional rollers may be ordered separately
- Meets sanitary code requirements

Part No.	Description	Length	Qty./Carton	Wgt./Carton
6052000001420*	SS Rollers	20" (508 mm)	5	19.9 lb (9.0 kg)
6052000001422*	SS Rollers	22" (559 mm)	5	21.4 lb (9.7 kg)
6052000001424*	SS Rollers	24" (610 mm)	5	23.7 lb (10.8 kg)
6052000001426*	SS Rollers	26" (660 mm)	5	24.8 lb (11.2 kg)
6052000000520	Delrin Rollers	20" (508 mm)	5	17.5 lb (7.9 kg)
6052000000522	Delrin Rollers	22" (559 mm)	5	19.1 lb (8.7 kg)
6052000000524	Delrin Rollers	24" (610 mm)	5	21.4 lb (9.7 kg)
6052000000526	Delrin Rollers	26" (660 mm)	5	22.5 lb (10.2 kg)
60520000002	Accessory Pack, 8 Sets of SS Rollers w/Screws and Washers		8	
60520000003	Delrin Roller with Screws			
60520000012	Accessory Pack, 8 Sets of SS Rollers w/Screws		12	8.5 lb (3.9 kg)

Note: To determine maximum length, measure from inside face to far rear of drawer.  
 \*Black rubber bumpers and welded end caps

## 0521 Series Two-Rail Drawer Slides



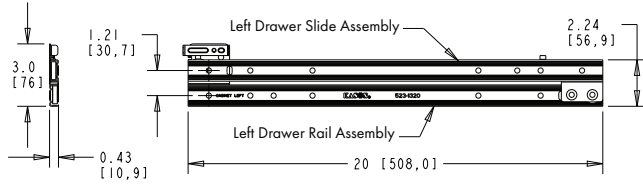
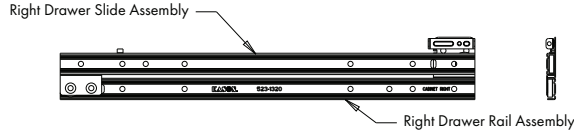
- Cold rolled steel is zinc plated with clear chromate finish
- Light-duty: Up to 75 lb (34 kg) load capacity based on 18" (457 mm) slide length
- Side mounting
- Drawer extends length of slide less 4-1/4" (107 mm)
- Drawers and rails are easily removed
- Feature positive stops and finger-tip release

Part No.	Length	Qty./Carton	Wgt./Carton
6052100001312	12" (305 mm)	10	12 lb (5.4 kg)
6052100001314	14" (356 mm)	10	13.3 lb (6.0 kg)
6052100001316	16" (406 mm)	10	13.8 lb (6.3 kg)
6052100001318	18" (457 mm)	10	14.3 lb (6.5 kg)
6052100001320	20" (508 mm)	10	15.4 lb (7.0 kg)
6052100001322	22" (559 mm)	10	17.8 lb (8.1 kg)
6052100001324	24" (610 mm)	10	20.8 lb (9.4 kg)
6052100001326	26" (660 mm)	10	22.12 lb (10.0 kg)
6052100001328	28" (711 mm)	10	25.2 lb (11.4 kg)

Note: To determine maximum length, measure from inside face to far rear of drawer.



## 0523 Stainless Steel Drawer Slides



- Medium-duty slides designed for up to 150 lb drawer capacity
- Side mounting; 9/16" (14 mm) clearance
- Drawer extends length of slide minus 4-1/4" (107 mm)
- Finger tip release permits drawer to be fully removed without tools
- Easy installation

### Specifications

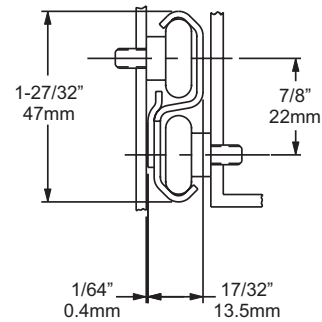
#### Material

Slides: 300 Series Stainless Steel

Bearings: Stainless Steel

Part No.	Length	Qty./ Carton	Wgt./ Carton
6052300001320	20" (508 mm)	10	10.1 lb (4.6 kg)

## 0260 Series Stainless Steel Drawer Slides



- #300 series stainless steel slides
- All stainless steel rollers with ball bearing action gauge
- Standard duty
- Side mounting; 5/8" (15 mm) space required
- Drawer extends length of slide less 4-1/4" (107 mm)

Part No.	Length	Qty./ Carton	Wgt./ Carton
6026000000414	14" (350 mm)	5	1.4 lb (0.6 kg)
6026000000416	16" (400 mm)	5	9.2 lb (4.2 kg)
6026000000418	18" (450 mm)	5	10.2 lb (4.6 kg)
6026000000420	20" (508 mm)	5	11.8 lb (5.4 kg)
6026000000422	22" (559 mm)	5	12.6 lb (5.7 kg)
6026000000424	24" (610 mm)	5	13.3 lb (6.0 kg)
6026000000426	26" (660 mm)	5	14.4 lb (6.5 kg)
60260000012	Accessory Pack, 8 Sets SS Rollers with Screws	96	26.9 lb (12.2 kg)

Note: To determine maximum length, measure from inside face to far rear of drawer.



## Drawer Slides Rollers and Wheels



### 1. Solid Delrin or Stainless Steel Ball Bearing Rollers

Complete with removable stainless steel threaded fastener

### 2. Stainless Steel Ball Bearing Rollers

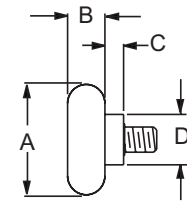
- #300 Series stainless steel with hardened ball bearings
- Provided threaded fastener

### 3. Molded Plastic Wheels

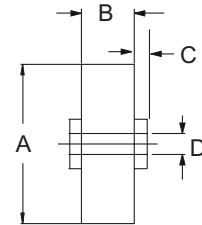
- Double row ball bearings with stainless steel balls
- Anti-contamination shield
- Plated steel bushing, 1/4" (6 mm) I. D.
- Quiet, non-marking action

### 4. Stainless Steel or Zinc Plated Steel Wheels

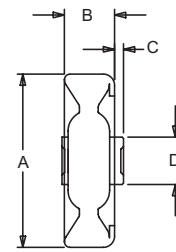
- All metal construction
- Heat-treated inner and outer raceways
- Use with 1/4" (6 mm) diameter rod for drawer slides and conveyor assemblies
- Other styles available



1 - 2

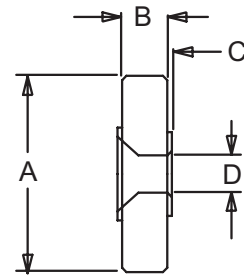


3



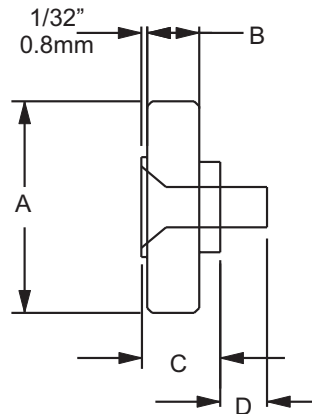
4

Ref.	Part No.	Description	Dim. A (OD)	Dim. B (Tread Width)	Dim. C (I)	Dim. D (Bore ??)	Qty./Carton	Wgt./Carton
1	60520000002	Stainless Steel Roller, w/ 1" screw	1.095" (28 mm)	3/8" (10 mm)	0.187" (5 mm)	1/2" (13 mm)	96	8.6 lb (3.9 kg)
	60520000003	Delrin Roller	1.095" (28 mm)	3/8" (10 mm)	0.187" (5 mm)	1/2" (13 mm)	96	2.9 lb (1.3 kg)
2	60260000002	SS Roller, 3/4" L Screw	0.76" (19 mm)	1/4" (6 mm)	0.187" (5 mm)	0.42" (10.7 mm)	96	2.9 lb (1.3 kg)
	60260000003	SS Roller, 7/8" L Screw	0.76" (19 mm)	1/4" (6 mm)	0.187" (5 mm)	0.42" (10.7 mm)	96	3.2 lb (1.5 kg)
3	67319000101	Molded Plastic Skate Wheel	1-9/10" (48 mm)	0.63" (16 mm)	5/16" (8 mm)	0.59" (15 mm)	250	15.0 lb (6.8 kg)
	67319000201	SS Skate Wheel	1-15/16" (49 mm)	0.63" (16 mm)	0.17" (4 mm)	7/16" (11 mm)	250	42.5 lb (19.2 kg)
	67319000202	Steel Skate Wheel	1-15/16" (49 mm)	0.63" (16 mm)	0.17" (4 mm)	7/16" (11 mm)	250	35.0 lb (15.9 kg)
4	67319000203	Steel Skate Wheel, 1/16" (1.6 mm) Offset	1-15/16" (49 mm)	0.63" (16 mm)	0.07" (1.8 mm)	0.38" (10 mm)	250	40.8 lb (18.5 kg)
	67319000204	SS Skate Wheel, HD, 11/16" (18 mm) Hub	1-15/16" (49 mm)	9/16" (14 mm)	1/10" (2.5 mm)	0.53" (14 mm)	100	21.9 lb (9.9 kg)
	67319000205	SS Skate Wheel, HD, 5/8" (16 mm) Hub	1-15/16" (49 mm)	9/16" (14 mm)	1/10" (2.5 mm)	0.53" (14 mm)	200	42.0 lb (19.1 kg)
	67319000206	SS Skate Wheel, Countersunk Hole	1-15/16" (49 mm)	0.55" (14 mm)	0.17" (4 mm)	1/2" (13 mm)	200	40.0 lb (18.1 kg)



Part No.	Inner Race Material	Outer Race Material	Dim. A (OD)	Dim. B (Tread Width)	Dim. C (I)	Dim. D (Bore ??)	Load Rating	Qty./Carton	Wgt./Carton
67319000301	Stainless Steel	Stainless Steel	1-5/16" (33 mm)	5/16" (8 mm)	3/8" (10 mm)	1/4" (6 mm)	87 lb (38 kg)	100	11.0 lb
67319000306	Steel	Steel	1" (25 mm)	7/32" (6 mm)	0.28" (7 mm)	1/4" (6 mm)	57 lb (25 kg)	100	3.0 lb
67319000307	Steel	Steel	1-5/16" (33 mm)	5/16" (8 mm)	3/8" (10 mm)	1/4" (6 mm)	87 lb (39 kg)	100	10.0 lb
67319000309	Stainless Steel	Stainless Steel	29/32" (23 mm)	1/4" (6 mm)	5/16" (8 mm)	1/4" (6 mm)	90 lb (40 kg)	100	3.3 lb

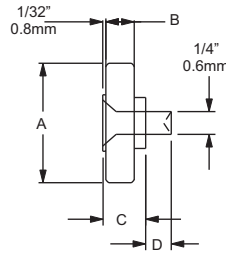
7319 Series Flat Bearings with 1/4-20 Screw



Part No.	Inner Race Material	Outer Race Material	Dim. A	Dim. B	Dim. C	Dim. D	Load Rating
67319000502	Stainless Steel	Stainless Steel	29/32" (23 mm)	1/4" (6.4 mm)	11/32" (9 mm)	5/16" (8 mm)	90 lb (40 kg)
67319000504	Zinc Plated Steel	Zinc Plated Steel	29/32" (23 mm)	1/4" (6.4 mm)	11/32" (9 mm)	5/16" (8 mm)	90 lb (40 kg)
67319000505	Zinc Plated Steel	Zinc Plated Steel	Approx. 1.29" (33.2 mm)	5/16" (7.9 mm)	Approx. 0.58" (15.1 mm)	5/16" (8 mm)	90 lb (40 kg)

©2024 Kason Industries, Inc. 0324 LIT 001

## 7319 Series Flat Bearings with 1/4" (6 mm) Rivet



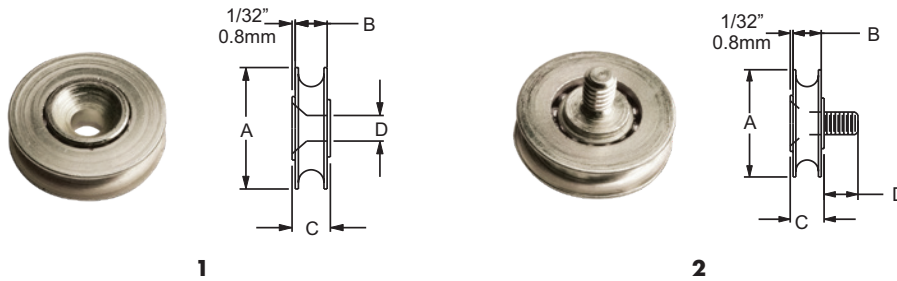
Part No.	Inner Race Material	Outer Race Material	Dim. A	Dim. B	Dim. C	Dim. D	Load Rating	Qty./Carton
67319000402	Steel	Steel	1" (25 mm)	7/32" (6 mm)	3/8" (9.5 mm)	1/8" (3 mm)	57 lb (25 kg)	100
67319000405	Steel	Nylon & Steel	1" (25 mm)	7/32" (6 mm)	3/8" (9.5 mm)	1/8" (3 mm)	53 lb (24 kg)	100

## 7319 Series Stainless Steel Screws for Flat Bearings



Part No.	Description	Qty./Carton	Wgt./Carton
67319000302	Spacer, 1/2" Diameter x 0.21" Thick (12.7 mm x 5.3 mm)	100	0.8 lb (0.4 kg)
67319000391	Screw, 1/4-20 x 1" (25 mm) L	100	1.9 lb (0.9 kg)
67319000393	Screw, 1/4-20 x 3/4" (19 mm) L	100	0.8 lb (0.4 kg)

## Concave Ball Bearing Systems



Ref.	Part No.	Description	Inner Race Mtls	Outer Race Mtls	Dim. A	Dim. B	Dim. C	Dim. D	Load Rating	Qty./Carton	Wgt./Carton
1	67319000701	w/ Hole	Steel	Steel	1-3/16" (30 mm)	5/16" (8 mm)	3/8" (9.5 mm)	1/4" (6 mm)	80 lb (36 kg)	100	5.0 lb (2.3 kg)
2	67319000703	w/ Screw Stud	Steel	Steel	1-3/16" (30 mm)	5/16" (8 mm)	3/8" (9.5 mm)	3/8" (9.5 mm)	80 lb (36 kg)	100	6.0 lb (2.7 kg)

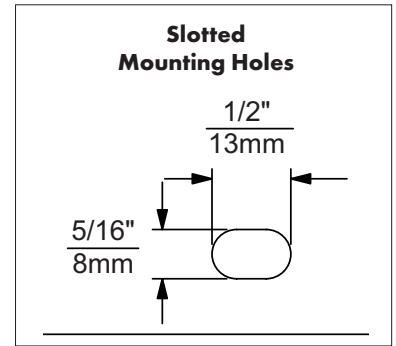




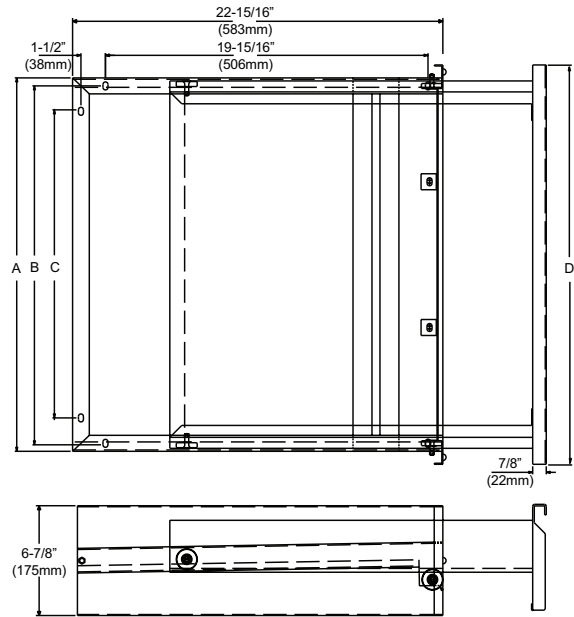
1



2



- Heavy-duty, sanitary, #304 stainless steel
- Welded construction with cross brace for extra strength and durability
- 16 GA. stainless steel front
- Furnished with a removable stainless steel or plastic pan for easy cleaning
- Cylinder locking and non-locking models
- 200 lb load capacity per drawer
- Integrated pull handle on full extension drawer for ease of use and pan removal
- Ready to install with pre-drilled, slotted mounting holes
- Two sizes: 15" x 20" and 20" x 20" to fit most cabinets

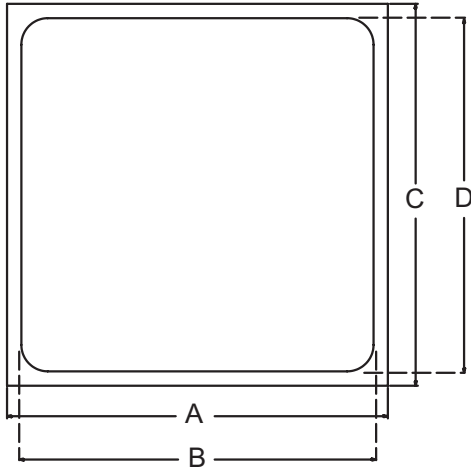


Ref.	Part No.	Pan Material & Size (WxD)	Lock	Dim. A	Dim. B	Dim. C	Dim. D	Qty./Carton	Wgt./Carton
1	67102000015*	Stainless Steel Pan	None	17-3/4"	16-1/2"	13-5/8"	19-9/16"	1	25.0 lb (11.3 kg)
	67102C00015*	15" x 20" (381 x 508 mm)	Cylinder	(451 mm)	(419 mm)	(346 mm)	(497 mm)	1	25.0 lb (11.3 kg)
2	67102000020*	Stainless Steel Pan	None	23-3/8"	22-1/8"	19-1/4"	25-1/16"	1	30.0 lb (13.6 kg)
	67102C00020*	20" x 20" (508 x 508 mm)	Cylinder	(594 mm)	(562 mm)	(489 mm)	(636 mm)	1	30.0 lb (13.6 kg)
Not Shown	67102000016	Plastic Pan	None	17-3/4"	16-1/2"	13-5/8"	19-9/16"	1	22.8 lb (10.3 kg)
	67102C00016	15" x 20" (381 x 508 mm)	Cylinder	(451 mm)	(419 mm)	(346 mm)	(497 mm)	1	22.8 lb (10.3 kg)
	67102000021	Plastic Pan	None	23-3/8"	22-1/8"	19-1/4"	25-1/16"	1	28.7 lb (13.0 kg)
	67102C00021	20" x 20" (508 x 508 mm)	Cylinder	(594 mm)	(562 mm)	(489 mm)	(636 mm)	1	28.7 lb (13.0 kg)

\*To order drawer only, without pan, use model numbers for items 1 or 2 and add initials "NP" to end of number.

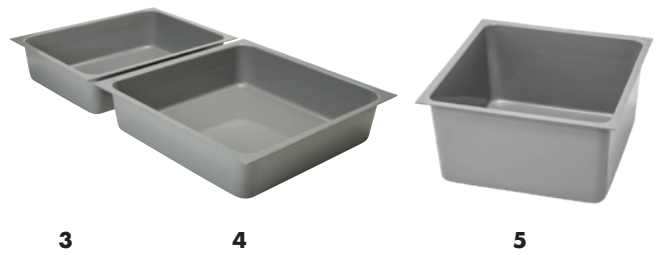


## Stainless Steel Drawer Pans

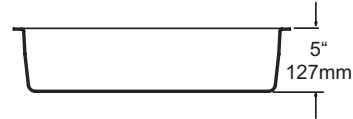


- Heavy 18-8 stainless steel construction with satin finish
- Two sizes available
- Meet NSF criteria
- Use in food warmers, drawers, foodservice tables, coolers and freezers
- 3" thick 22 gauge

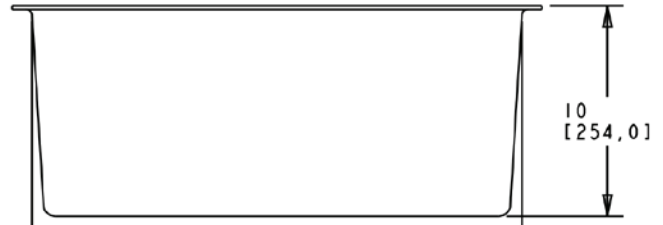
## Heavy-Duty Thermoplastic Drawer Pans



7102-4115/7102-4120/7102-4215/7102-4220



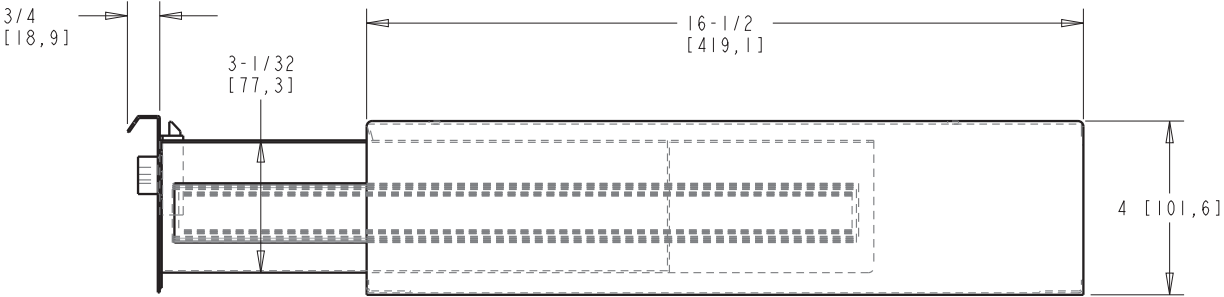
7102-4221



- Three popular sizes
- Light wgt./carton and sanitary
- Smooth inside, textured outside
- Full flange and covered corners
- 3/16" thick
- ABS material, gray

Ref.	Part No.	Nominal Size (W x L)	Dim. A	Dim. B	Dim. C	Dim. D	Qty./Carton	Wgt./Carton
1	67102004115	15" x 20" (381 x 508 mm)	16" (406 mm)	14-3/4" (375 mm)	21-1/2" (546 mm)	23/16" (513 mm)	6	22.1 lb (10.0 kg)
2	67102004120	20" x 20" (508 x 508 mm)	21-1/2" (546 mm)	23/16" (513 mm)	21-1/2" (546 mm)	23/16" (513 mm)	6	29.3 lb (13.3 kg)
3	67102004215	15" x 20" (381 x 508 mm)	16-1/8" (410 mm)	15-1/16" (383 mm)	21-5/8" (549 mm)	20" (508 mm)	6	16.6 lb (7.5 kg)
4	67102004220	20" x 20" (508 x 508 mm)	21-5/8" (549 mm)	20" (508 mm)	21-5/8" (549 mm)	20" (508 mm)	6	21.0 lb (9.5 kg)
5	67102004221	20" x 20" (508 x 508 mm)	21-5/8" (549 mm)	20" (508 mm)	21-5/8" (549 mm)	20" (508 mm)	4	33.2 lb (15.5 kg)





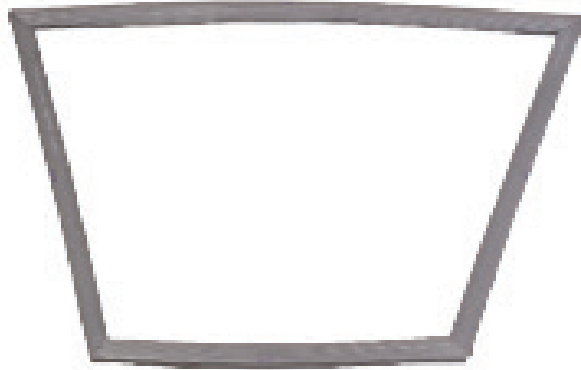
- Full extension drawer slides
- Easy-to-operate and mount under counter
- Available with and without currency tray
- Made of durable stainless steel with a stainless steel faced cylinder lock

Part No.	Material	Description	Qty./ Carton	Wgt./ Carton
67602000100	Stainless Steel	Cash Drawer Assembly with Currency Tray	1	20.4 lb (9.3 kg)
67602000101	Stainless Steel	Cash Drawer Assembly without Currency Tray	1	13.6 lb (6.2 kg)
67602000102	Painted Steel	Currency Tray with Cover	1	7.0 lb (3.2 kg)

©2024 Kason Industries, Inc.

0324 LIT 001

Custom Gaskets



- Vinyl gaskets available in a variety of sizes and shapes
- Material retains a memory of its original shape
- Available for both standard and snap-in frames

**Part No.**

**Qty./Carton**

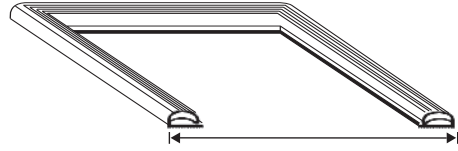
Please consult the sales representatives in your area or complete the form at the end of this catalog section.

1

- Available in compression, screw-in magnetic, and snap-in removable magnetic
- All materials used to fabricate frames are NSF approved
- One week turnaround

**To Order:** Fill out the form below for specifications and send via fax number below. Custom orders cannot be returned.

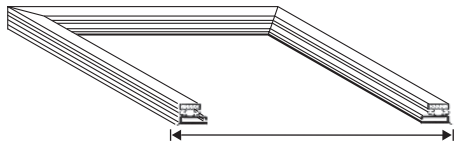
Compression Gasket Frames with Welded Corners PVC with Welded Corners



Specify exact measurements from outside edge to edge

Quantity	Height	Width	Color	Sides
_____	_____	_____	<input type="checkbox"/> Black	<input type="checkbox"/> 3
			<input type="checkbox"/> Grey	<input type="checkbox"/> 4
_____	_____	_____	<input type="checkbox"/> Black	<input type="checkbox"/> 3
			<input type="checkbox"/> Grey	<input type="checkbox"/> 4
_____	_____	_____	<input type="checkbox"/> Black	<input type="checkbox"/> 3
			<input type="checkbox"/> Grey	<input type="checkbox"/> 4

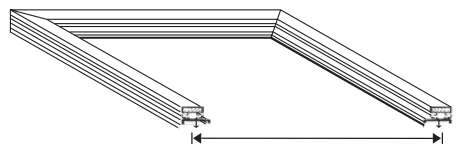
Screw-In Magnetic Frames PVC with Welded Corners-Complete with Magnet



Specify exact measurements from outside edge to edge

Quantity	Height	Width	Color	Sides
_____	_____	_____	<input type="checkbox"/> Black	<input type="checkbox"/> 3
			<input type="checkbox"/> Grey	<input type="checkbox"/> 4
_____	_____	_____	<input type="checkbox"/> Black	<input type="checkbox"/> 3
			<input type="checkbox"/> Grey	<input type="checkbox"/> 4
_____	_____	_____	<input type="checkbox"/> Black	<input type="checkbox"/> 3
			<input type="checkbox"/> Grey	<input type="checkbox"/> 4

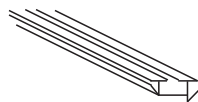
Snap-In Removable Gasket Frames PVC with Welded Corners-Complete with Magnets and Darts



Specify measurements between snap-in dart center lines

Quantity	Height	Width	Color	Sides
_____	_____	_____	<input type="checkbox"/> Black	<input type="checkbox"/> 3
			<input type="checkbox"/> Grey	<input type="checkbox"/> 4
_____	_____	_____	<input type="checkbox"/> Black	<input type="checkbox"/> 3
			<input type="checkbox"/> Grey	<input type="checkbox"/> 4
_____	_____	_____	<input type="checkbox"/> Black	<input type="checkbox"/> 3
			<input type="checkbox"/> Grey	<input type="checkbox"/> 4

Retainer Strip 8' Straight Length-for Foamed in Place Installation (Grey Only)



#1320-10960

Quantity	Height	Width	Sides
_____	_____	_____	<input type="checkbox"/> 3
			<input type="checkbox"/> 4

**To Send:** Email your local representative.

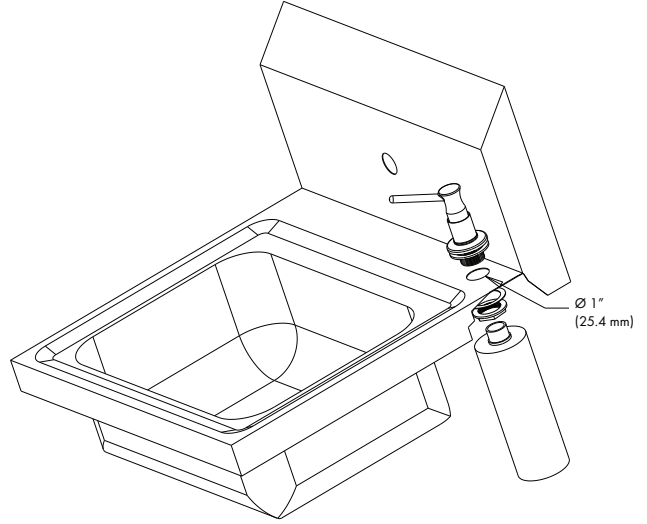
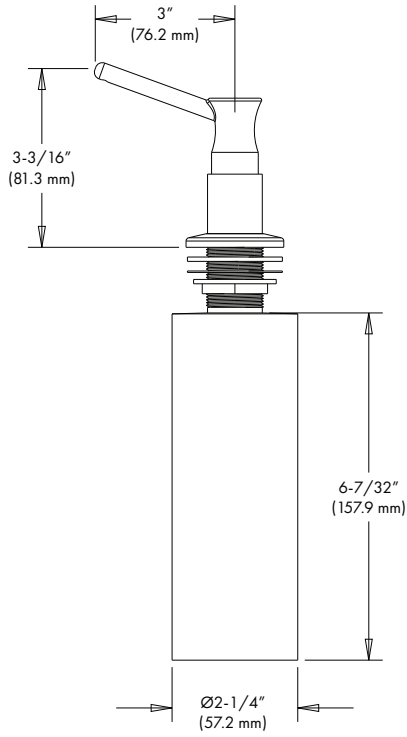
Company Name \_\_\_\_\_

Date \_\_\_\_\_

Phone No. \_\_\_\_\_

Authorized By \_\_\_\_\_

## 7509 Soap Dispenser



- Ideal for all types of vanity and countertop mounting
- Less than 5 lb of force required to activate pump
- 3" spout length, 11" overall height
- Capacity: 13 fluid ounces

### Specifications

#### Material(s)

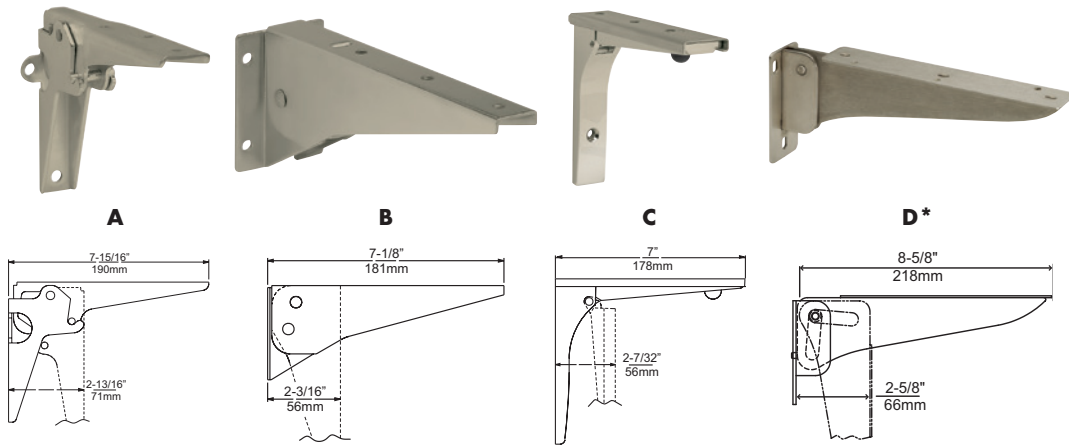
Polished chrome plated brass housing

#### Mounting

Concealed mounting assembly

Part No.	Description	Qty./Carton	Wgt./Carton
67509002786	Soap Dispenser	25	11.65 lb (5.28 kg)





- Fold down when not in use
- Two-piece lift-off assembly
- Shelves easily removed for cleaning
- Smooth, trouble-free operation
- Supports 250 lb (113 kg) dead wgt./carton using a 10" (254 mm) shelf with pair of brackets mounted 24" (610 mm) apart

Operation

A/B/D

To lower shelf: lift slightly, pull out and pivot down to folded position.

To raise shelf: lift slightly and shelf will lock into place.

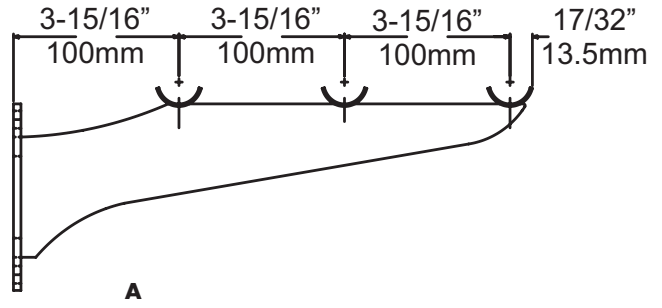
C

To lower shelf: pull out and pivot down to folded position.

To raise shelf: lift and push inwards to lock shelf into place.

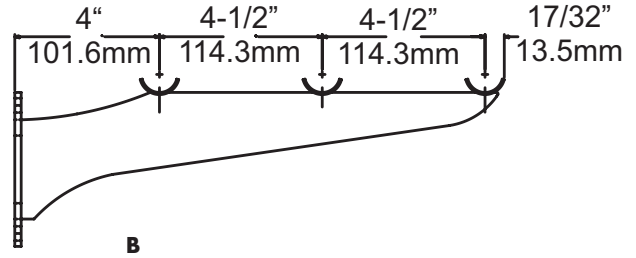
Ref.	Part No.	Description	Qty./Carton	Wgt./Carton
A	10099000008	Zinc Plated Steel Bracket	18	27.0 lb (12.2 kg)
B	10105000001	304 Stainless Steel Bracket	36	21.6 lb (9.8 kg)
C	60109000004	Chrome Plated Die Cast Bracket with 304 Stainless Steel Shelf Mount	24	27.1 lb (12.3 kg)
D	60310000002	Fold Down Shelf Bracket, Stainless Steel	50	44.0 lb (20.0 kg)
Not Shown	60310000005	Fold Down Tray Slide Bracket	50	50.0 lb (22.7 kg)

## Tray Slide Brackets

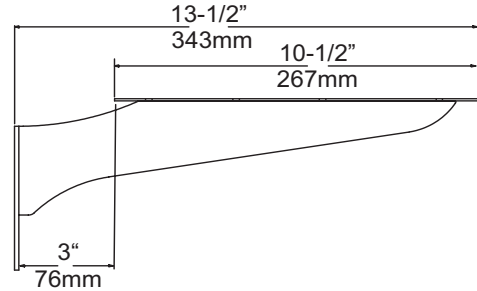


- #300 series, 8 gauge stainless steel with #4 satin finish
- Supports three 1" O.D. rails
- Mounts with 5/16" (8 mm) screws

Ref.	Part No.	Description	Qty./Carton	Wgt./Carton
A	60310000003	SS, 3-rail	20	25.2 lb (11.4 kg)
B	60310000006	SS, 3-rail	20	26.4 lb (12.0 kg)



## Stationary Shelf Brackets

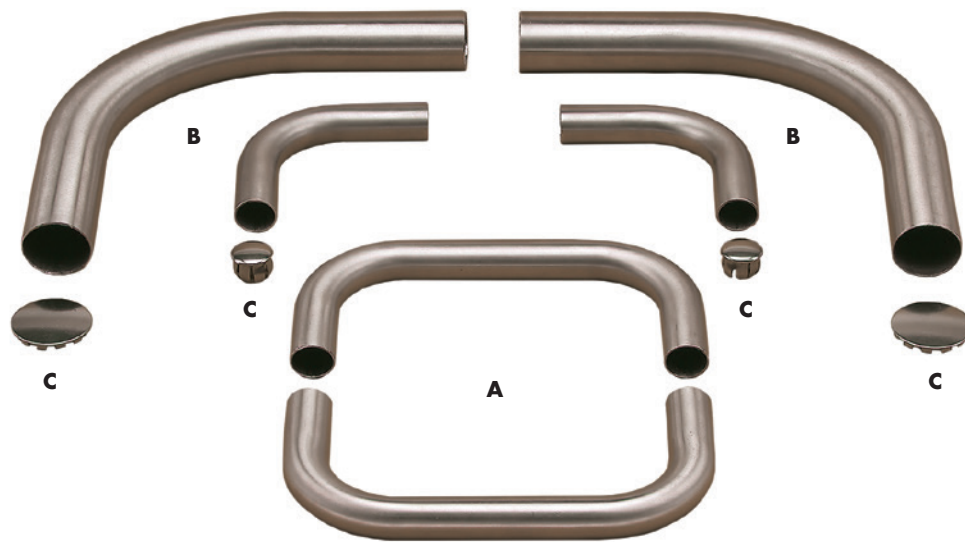


- #300 Series stainless steel with #4 satin finish.
- Supports 10-1/2" wide shelf

Part No.	Description	Qty./Carton	Wgt./Carton
60310000004	Stainless Steel	50	64.5 lb (29.3 kg)

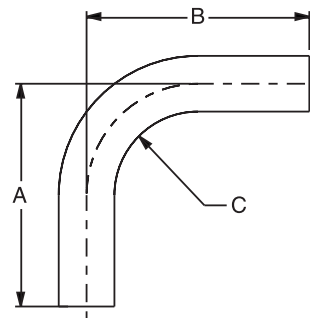
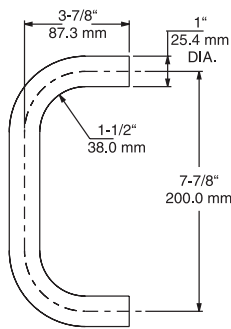






0310 Stainless Steel U-Bend

7107 Series Stainless Steel Elbows



- Fits 1" (25.4 mm) O.D. tubing
- Use for tray slide rails
- Custom bends available

- 90° elbows for 1" (25 mm) or 1-5/8" (41 mm) O.D. tubing
- Use for rails, supports and more
- Custom bends available

Ref.	Part No.	Description	Qty./Carton	Wgt./Carton
A	60310000007	1" (25 mm) Tubing	12	7.9 lb (3.6 kg)
B	67503000301	1" (25 mm) O.D. Tubing	1000	10.0 lb (4.5 kg)
B	67503000303	1-5/8" (41 mm) O.D. Tubing	1000	10.0 lb (4.5 kg)

End Caps For U-Bend and Elbows

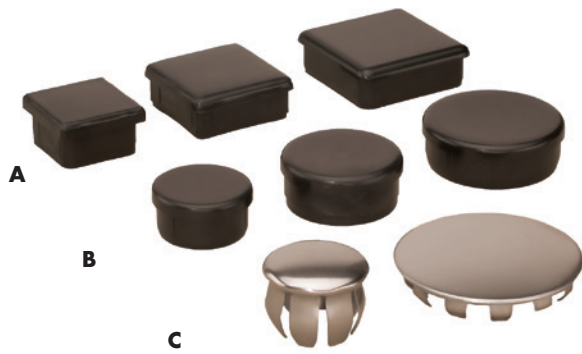
- Nickel plated steel
- Two sizes fit 1" and 1-5/8" tubing

Ref.	Part No.	Description	A	B	C	Qty./Carton	Wgt./Carton
C	67107000004	1" (25 mm) O.D. Tubing	4" (102 mm)	4" (102 mm)	1-1/2" (38 mm)	50	16.5 lb (7.5 kg)
C	67107000006	1-5/8" (41 mm) O.D. Tubing	10" (254 mm)	10" (254 mm)	4-3/8" (111 mm)	24	33.8 lb (15.3 kg)

©2024 Kason Industries, Inc.

0324 LIT 001

## 7503 Series End Caps



### A. Black Thermoplastic for Square Tubing

Part No.	Size	Gauge	Qty./Carton	Wgt./Carton
67503000201	1" (25 mm)	18	1000	10.0 lb (4.5 kg)
67503000202	1" (25 mm)	16	1000	10.0 lb (4.5 kg)
67503000203	1-1/4" (32 mm)	18	1000	10.0 lb (4.5 kg)
67503000204	1-1/2" (38 mm)	18	1000	10.0 lb (4.5 kg)
67503000202	2" (51 mm)	14-20	1000	10.0 lb (4.5 kg)

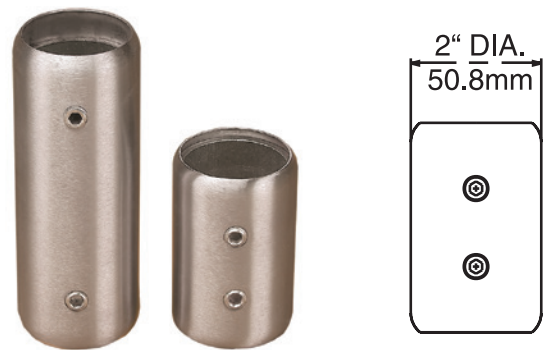
### B. Black Thermoplastic for Round Tubing

Part No.	Size	Gauge	Qty./Carton	Wgt./Carton
67503000101	1" (25 mm) O.D.	18	1000	10.0 lb (4.5 kg)
67503000102	1-1/4" (32 mm) O.D.	18	1000	13.0 lb (5.9 kg)
67503000103	1-1/4" (32 mm) O.D.	16	1000	13.0 lb (5.9 kg)
67503000104	1-1/2" (38 mm) O.D.	16	1000	10.0 lb (4.5 kg)
67503000105	1-5/8" (41 mm) O.D.	16	1000	10.0 lb (4.5 kg)

### C. Nickel Plated Steel for Round Tubing

Part No.	Size	Gauge	Qty./Carton	Wgt./Carton
67503000301	1" (25 mm) O.D.	N/A	1000	10.0 lb (4.5 kg)
67503000303	1-5/8" (41 mm) O.D.	N/A	1000	13.0 lb (5.9 kg)

## 1655 Series Tubular Supports



- Stainless steel for 1-5/8" (41 mm) O.D. tubing
- Locks with double set screw
- Plated inside liner

Part No.	Length	Qty./Carton	Wgt./Carton
61655000271	3-3/16" (81 mm)	50	36.5 lb (16.6 kg)
61655000272	5-1/4" (133 mm)	50	65.0 lb (29.5 kg)
61655000273	1-7/8" (48 mm) /1 Set Screw	50	17.5 lb (7.9 kg)

## 1700 Series Expanding Fasteners

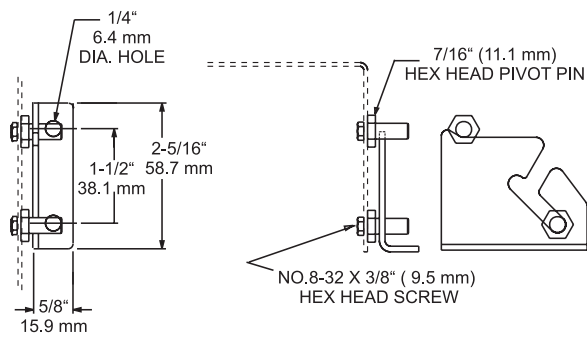
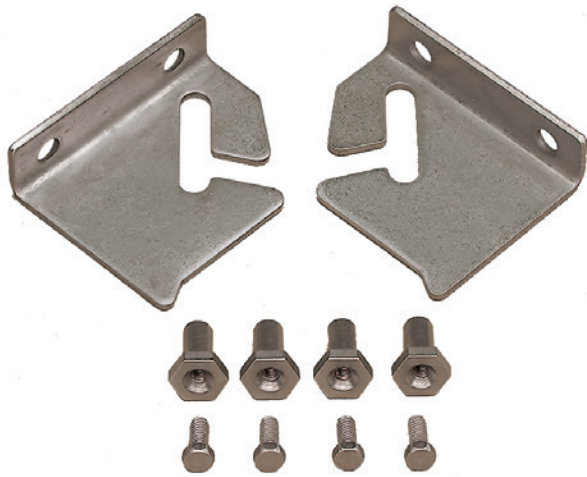


- Fits round or square tubing
- Installs fast with 1/2" (13 mm) bolts

Part No.	Description	Qty./Carton	Wgt./Carton
61700000010	1" (25 mm) Tubing	24	5.8 lb (2.6 kg)
61700000012	1-1/4" (32 mm) Tubing	24	5.8 lb (2.6 kg)
61700000015	1-1/2" (38 mm) Tubing	24	9.1 lb (4.1 kg)
61700000016	1-5/8" (41 mm) Tubing	24	9.6 lb (4.4 kg)



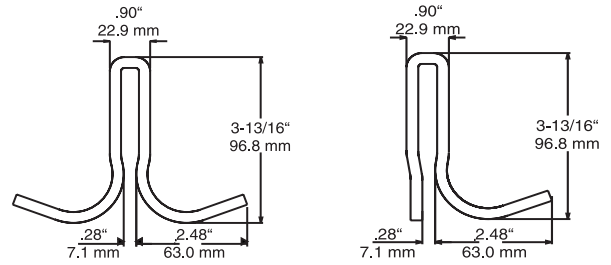
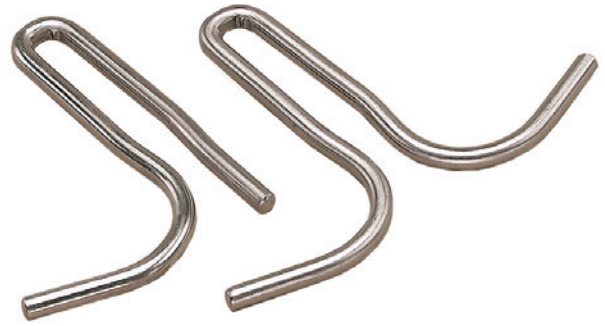
## 7300 Lid Cover Brackets



- Heavy-duty stainless steel construction
- Right and left brackets and four pivot pins with screws
- Supports metal lid or plastic bubble on prep or condiment line
- Hold-open position for fast serving
- Lift-away feature allows easy removal for cleaning

Part No.	Description	Qty./Carton	Wgt./Carton
6730000002	Bracket Set	50	12.6 lb (5.7 kg)

## 7100 Series Pot Rack Hooks



- Available in #300 series stainless steel or bright zinc plated steel
- Use with pot rack banding, shown below

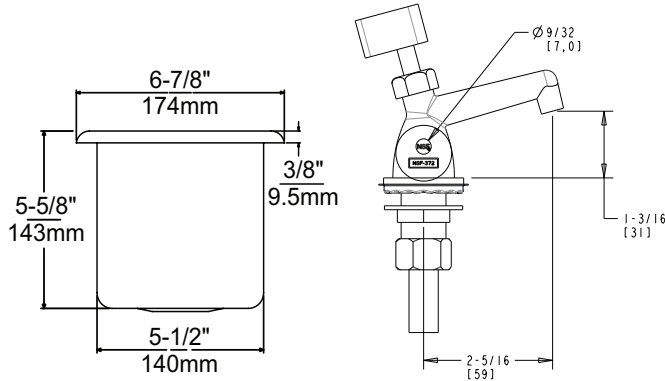
Part No.	Description	Qty./Carton	Wgt./Carton
67100000010	Stainless Steel Double Prong	50	7 lb (3.2 kg)
67100000011	Stainless Steel Single Prong	50	5.5 lb (2.5 kg)
67100000012	Zinc Plated Steel Double Prong	50	7 lb (3.2 kg)
67100000013	Zinc Plated Steel Single Prong	50	6.0 lb (2.7 kg)

## 7100 Pot Rack Banding

- Polished, #300 series stainless steel, 180 grit finish
- Size is 1/4" D x 2" W x 12' L (6 mm x 51 mm x 366 cm)

Part No.	Description	Qty./Carton	Wgt./Carton
67100000001	Stainless Steel	5	103.3 lb (46.9 kg)

## 7504 Dipperwell Assembly Kit



- Fits 6" (150 mm) diameter opening
- Available as individual parts or complete assembly

### Specifications

#### Material

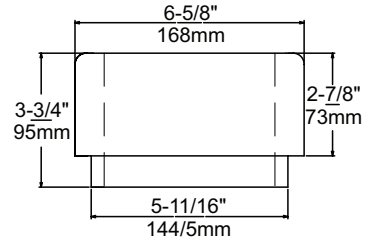
High pressure die cast zinc tongue housing and strike nylon rollers; 18-8 stainless steel inner and outer shells, and drain; nickel plated brass tailpiece

#### Mounting

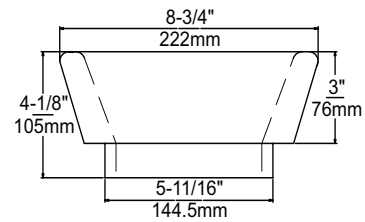
Mounts with 1/2" NPS male inlet, furnished with male union tailpiece and mounting hardware

Part No.	Description	Qty./Carton	Wgt./Carton
67504000202	Dipperwell Assembly without Faucet	1	2.4 lb (1.1 kg)
67504000204	Dipperwell Assembly with Faucet	1	3.1 lb (1.4 kg)
67504KL0205	Dipperwell Faucet Only	1	0.7 lb (0.3 kg)

## 7504 Scrap Blocks



**A**



**B**

Ref.	Part No.	Description	Opening Dia.	Qty./Carton	Wgt./Carton
A	67504000101	Solid Rubber, Cylinder	5-3/4" (146 mm)	1	2.6 lb (1.2 kg)
B	67504000102	Solid Rubber, Funnel	5-3/4" (146 mm)	1	3.7 lb (1.7 kg)



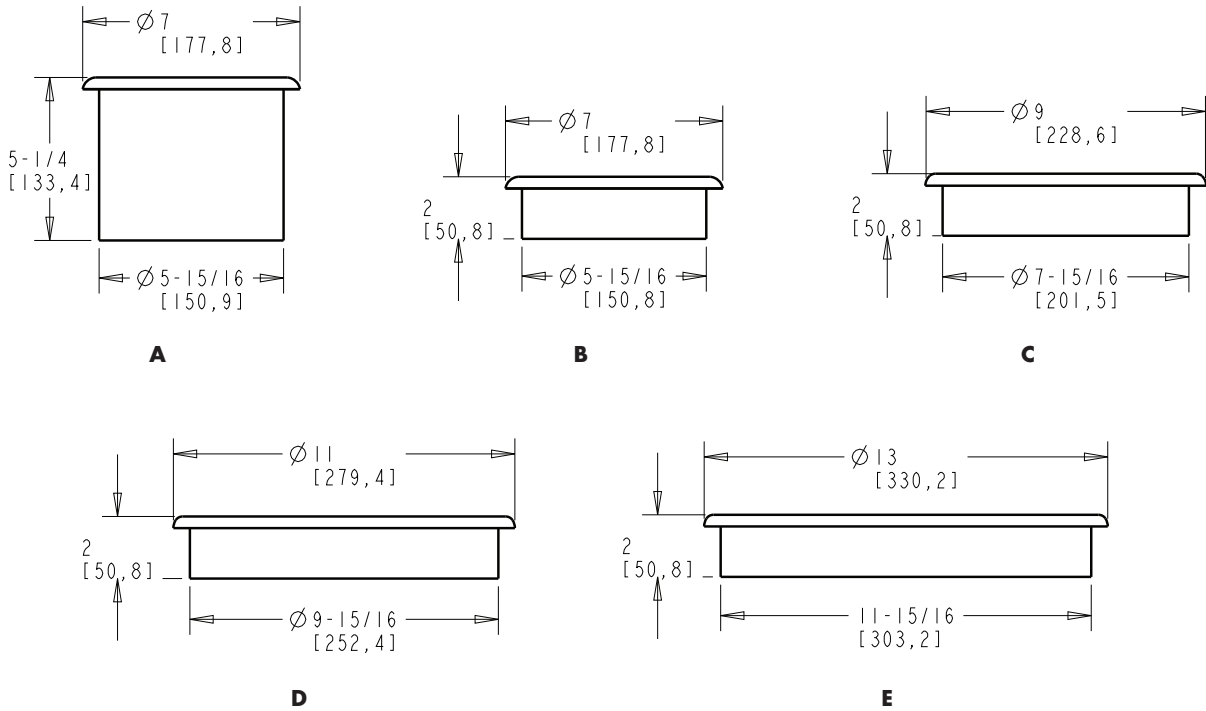
Dipperwell



Faucet



7504



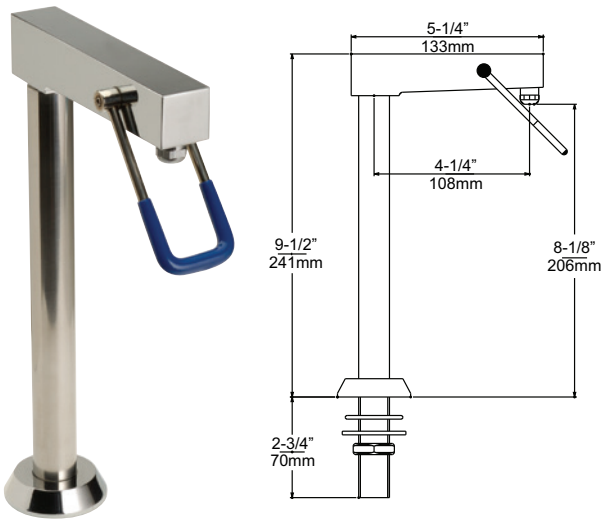
- Stainless steel construction with satin finish and bright polished flange top
- 2" high models provide lower profile for more under-counter clearance

Ref.	Part No.	Description	For Opening	Height	Qty./Carton	Wgt./Carton
A	67504000201	Scrap Chute Stainless Steel	6" (152 mm) Dia.	5" (127 mm)	1	0.9 lb (0.4 kg)
B	67504000206	Scrap Chute Stainless Steel	6" (152 mm) Dia.	2" (51 mm)	1	0.3 lb (0.1 kg)
C	67504000208	Scrap Chute Stainless Steel	8" (203 mm) Dia.	2" (51 mm)	1	0.4 lb (0.2 kg)
D	67504000210	Scrap Chute Stainless Steel	10" (254 mm) Dia.	2" (51 mm)	1	0.5 lb (0.2 kg)
E	67504000212	Scrap Chute Stainless Steel	12" (305 mm) Dia.	2" (51 mm)	1	0.6 lb (0.3 kg)

©2024 Kason Industries, Inc.  
0324 LIT 001



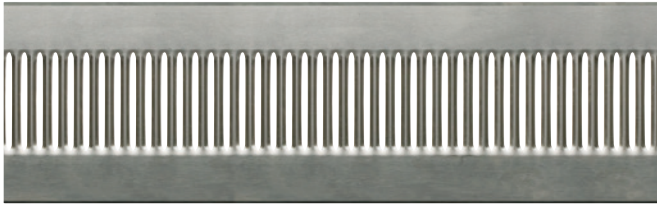
## 0450 Series Glass Fillers



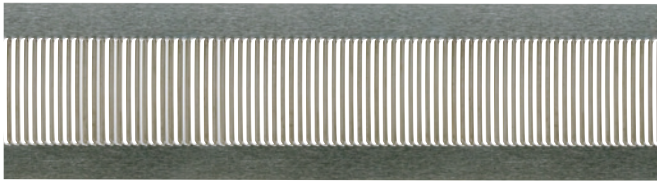
- Two-position lever arm pushes back to fill single glass; rotates up for continuous flow
- Fully adjustable spout regulates water flow
- Highly polished chrome-plated brass with stainless steel riser, lever arm and internal parts for long wear under heavy use
- Mount with supplied 1/2" NPS male inlet and mounting hardware
- One year limited warranty

Part No.	Description	Qty./Carton	Wgt./Carton
60450KL0001	8" Deck Mount	12	17 lb (7.7 kg)

## 0080 Series Stainless Steel Drip Plates



A

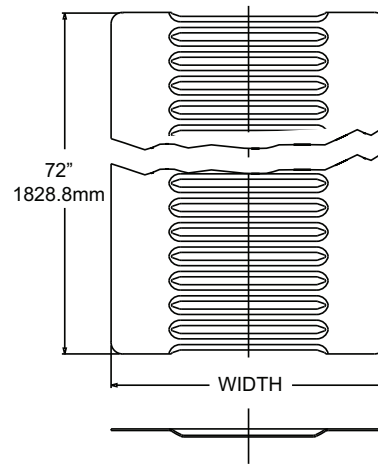


B



C

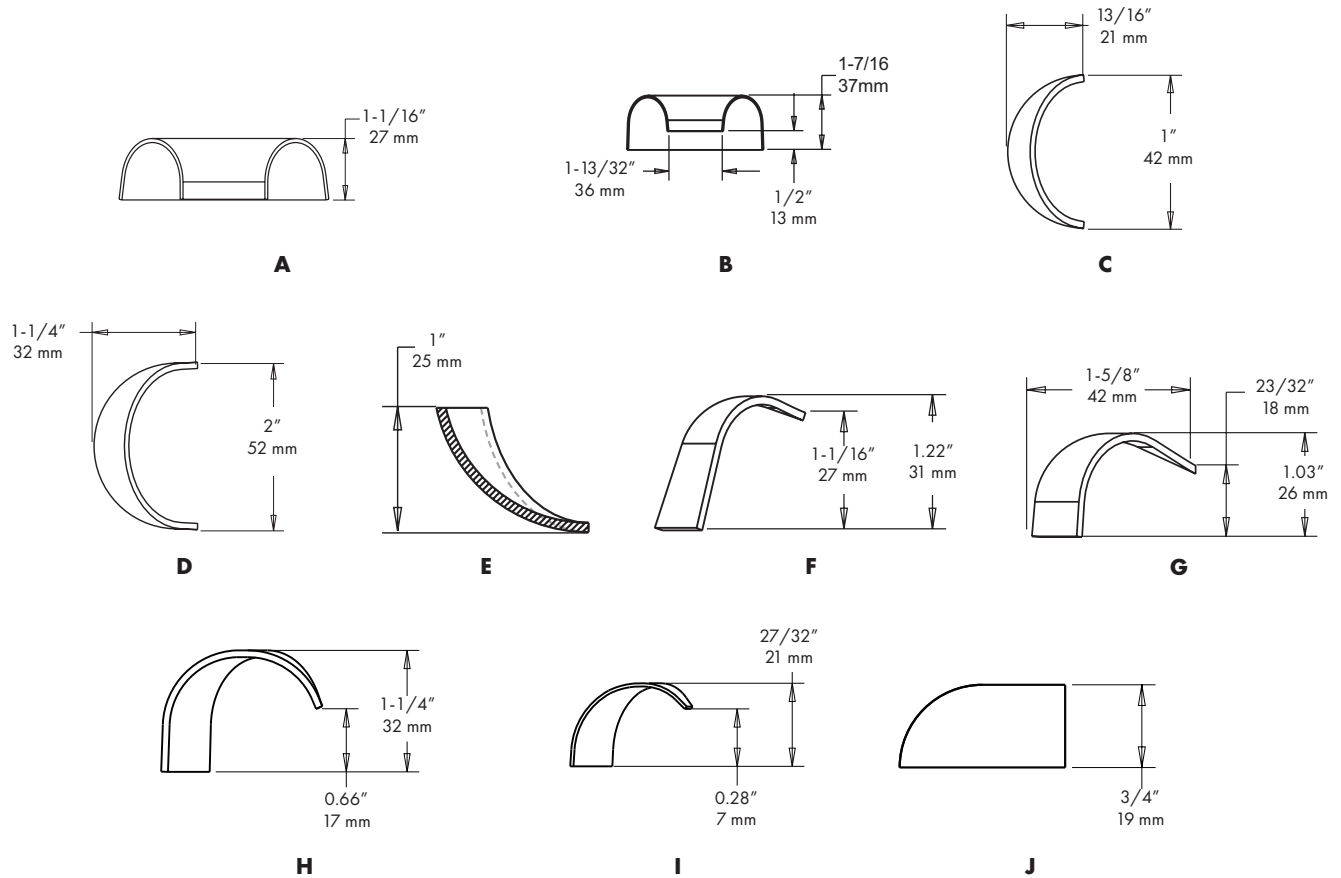
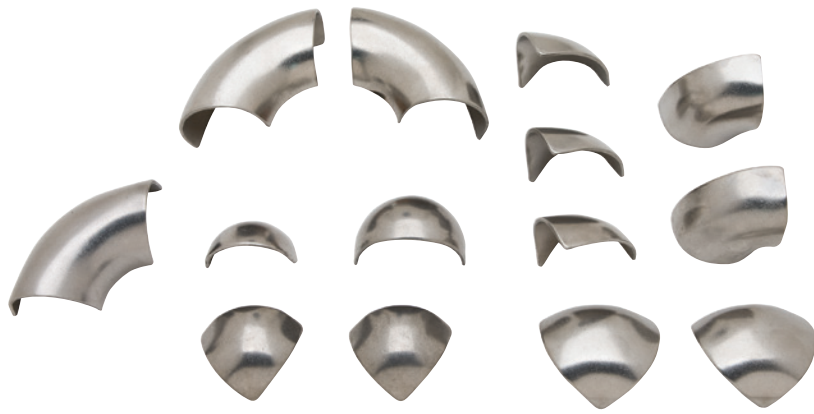
D



- For use in beverage dispensers
- Stainless steel material
- No. 4 satin finish
- Length is 72" (1830 mm) for economical shipping

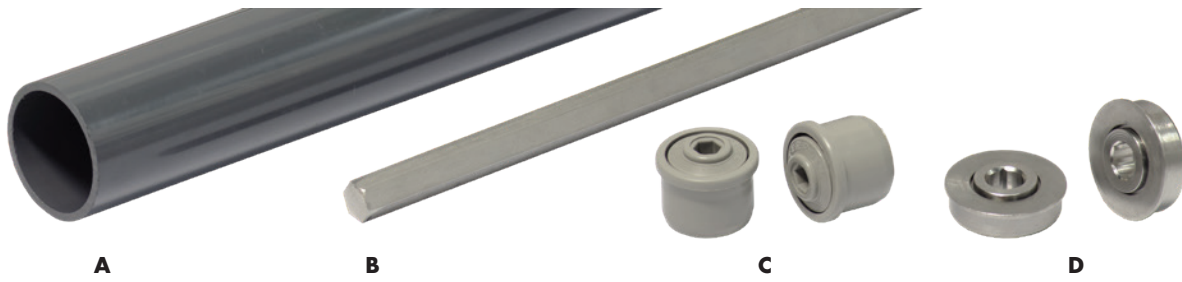
Ref.	Part No.	Width	Gauge	Qty./Carton	Wgt./Carton
A	60080000007	7" (177.8 mm)	24	5	12.8 lb (5.8 kg)
A	60080000009	9" (228.6 mm)	24	5	16.3 lb (7.4 kg)
B	60080000017	7" (177.8 mm)	22	5	11.3 lb (5.13 kg)
B	60080000019	9" (228.6 mm)	22	5	16.3 lb (7.4 kg)
C	67505000101	Finishing Ring, for 7/8" (22 mm) Dia. Hole		100	1 lb (0.45 kg)
D	67505000102	Finishing Ring, for 1" (25 mm) Dia. Hole		100	1 lb (0.45 kg)





Ref.	Part No.	Description	Qty./Carton	Wgt./Carton
A	67104000101	Cove Corner, 90°	50	7.9 lb (3.6 kg)
B	67104000102	Cove Corner, 220°	50	9.0 lb (4.1 kg)
C	67104000201	Bull Nose, 1-1/2"	100	3.0 lb (1.4 kg)
D	67104000202	Bull Nose, 2"	100	8.0 lb (3.6 kg)
E	67104000301	Triangular	100	4.0 lb (1.8 kg)
F	67104000401	Square Corner, 1-1/2"	100	6.0 lb (2.7 kg)
G	67104000402	Square Corner, 1-5/8"	100	6.0 lb (2.7 kg)
H	67104000403	Square Corner Insert	50	4.1 lb (1.9 kg)
I	67104000404	Square Corner, 1-3/8"	50	2.5 lb (1.1 kg)
J	67104000405	Square Corner Insert	50	

## 7324 Series Conveyor Rollers



- Tubing and hex rod can be cut down for smaller applications
- Suitable for foodservice use
- Can be steam cleaned
- Will operate in temperatures up to 150°F (66°C)



Ref.	Part No.	Description	Qty./Carton	Wgt./Carton
A	67324100480	1-9/10" (48.3 mm) OD Gray PVC Tubing, 48" (1.2 m) Long	1	1.6 lb (0.7 kg)
B	67324000720	7/16" (11.1 mm) Stainless Steel Hex Rod, 72" (1.8 m) Long	1	3.3 lb (1.5 kg)
C	67324000001	Plastic Conveyor Roller Bearings	200	10 lb (4.5 kg)
D	67324000010	Flanged Stainless Steel Bearing Assembly	100	16.0 lb (7.3 kg)

## 1701 Series Knurled Bushings



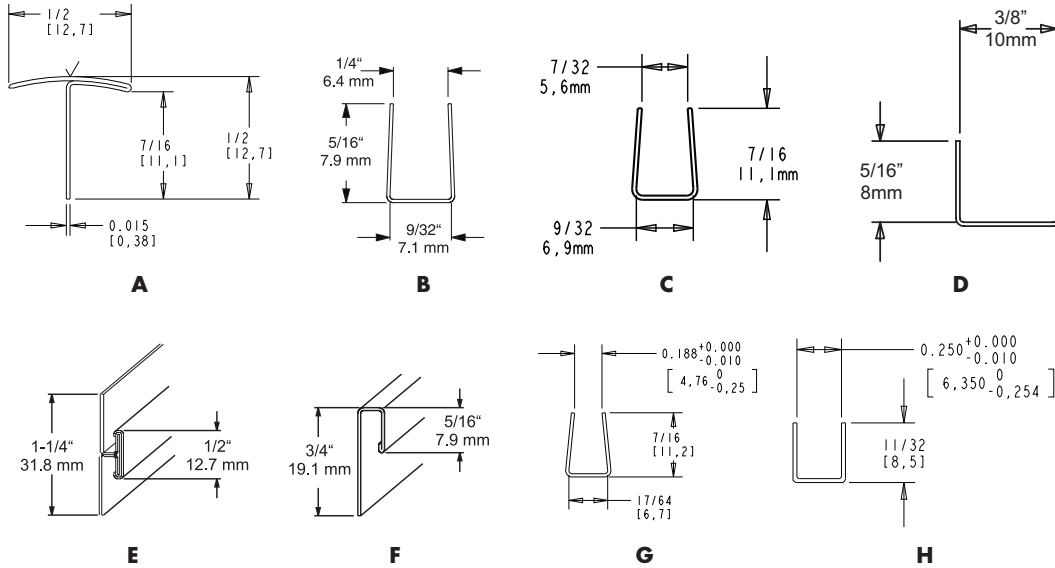
- For positive concealed fastening
- Zinc plated finish resists corrosion
- For use with 16 gauge tubing only

Part No.	Description	Qty./Carton	Wgt./Carton
61701000016	Knurled Bushing 1-5/8" Tube 5/16-18	200	50.0 lb (22.7 kg)
61701000017	Knurled Bushing 1-1/4" Tube 5/16-18	250	31.3 lb (14.2 kg)
61701000018	Knurled Bushing 1" Tube 1/4-20	500	45.0 lb (20.4 kg)





- No. 430 Series stainless steel construction
- Meets fabricators' specifications
- Satin finish available

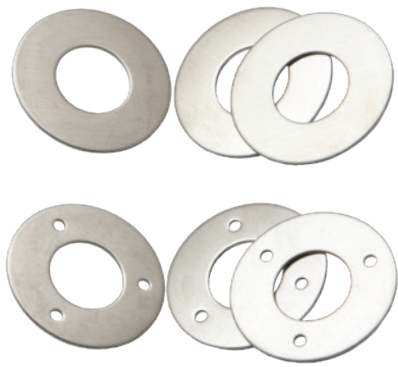


Ref.	Part No.	Description	Material Application	Length	Qty./Carton	Wgt./Carton
A	67500000411144	Tee Divider	N/A	12' (366 cm)	20	15.9 lb (7.2 lb)
B	67500000900144	Glass Capping	1/4" (6 mm)	12' (366 cm)	20	27 lb (12.2 kg)
C	67500000901144	Glass Capping	7/32" (6 mm)	12' (366 cm)	20	28 lb (12.7 kg)
D	67500000914144	Mirror Molding	3/8" (9.5 mm)	12' (366 cm)	20	17.8 lb (8.1 kg)
	67500000914120	Mirror Molding	3/8" (9.5 mm)	10' (305 cm)	20	--
E	67500001450096	Divider Bar	1/16" (1.6 mm)	7' (213 cm)	20	21.5 lb (9.8 kg)
	67500001450096	Divider Bar	1/16" (1.6 mm)	8' (244 cm)	20	24.6 lb (11.2 kg)
	675000014500985	Divider Bar	1/16" (1.6 mm)	8.2' (250 cm)	20	25.2 lb (11.4 kg)
	67500001450120	Divider Bar	1/16" (1.6 mm)	10' (305cm)	20	30.8 lb (14.0 kg)
F	67500001450144	Divider Bar	1/16" (1.6 mm)	12' (366cm)	20	36.8 lb
	67500001451	Cap Strip	1/16" (1.6 mm)	7' (213 cm)	20	20.8 lb
	67500001451096	Cap Strip	1/16" (1.6 mm)	8' (244 cm)	20	24.2 lb
	675000014510985	Cap Strip	1/16" (1.6 mm)	8.2' (250 cm)	20	29.6 lb
G	67500001451120	Cap Strip	1/16" (1.6 mm)	10' (305 cm)	20	35.6 lb
	67500001452144	Glass Capping	3/16" (5 mm)	12' (366 cm)	20	--
H	67500001452120	Glass Capping	3/16" (5 mm)	10' (305 cm)	20	--
	67500001453144	Mirror Molding	1/4" (6 mm)	12' (366 cm)	20	17.8 lb (8.1 kg)

©2024 Kason Industries, Inc. 0324 LIT 001



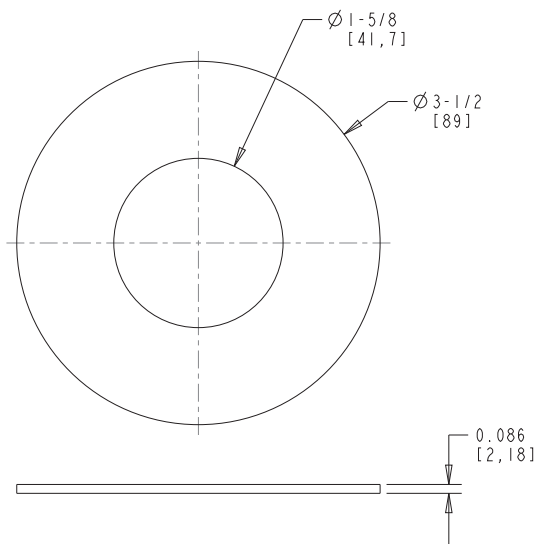
## 7106 Escutcheon Plates



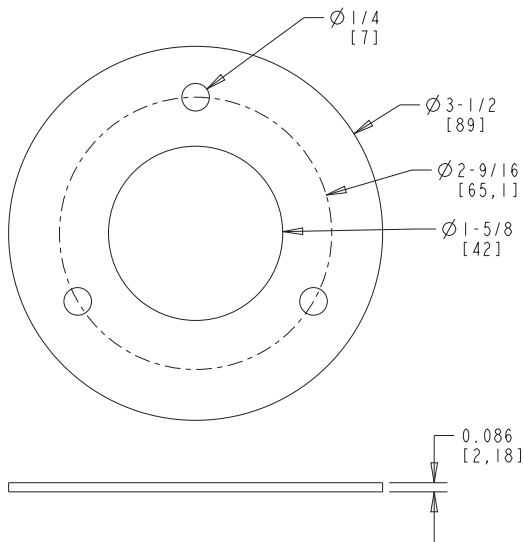
- End mounting plate for 1-5/8" tubing
- Stainless steel with #4 satin finish

Part No.	Description	Qty./Carton	Wgt./Carton
67106000100	Escutcheon Plate, No Holes	100	18.8 lb (8.5 kg)
67106000101	Escutcheon Plate with Holes	100	18.8 lb (8.5 kg)
67106000200	Escutcheon Plate, 1-1/4" Square	100	25 lb (11.3 kg)
67106000201	Escutcheon Plate, 1-1/2" Square	100	22.5 lb (10.2 kg)

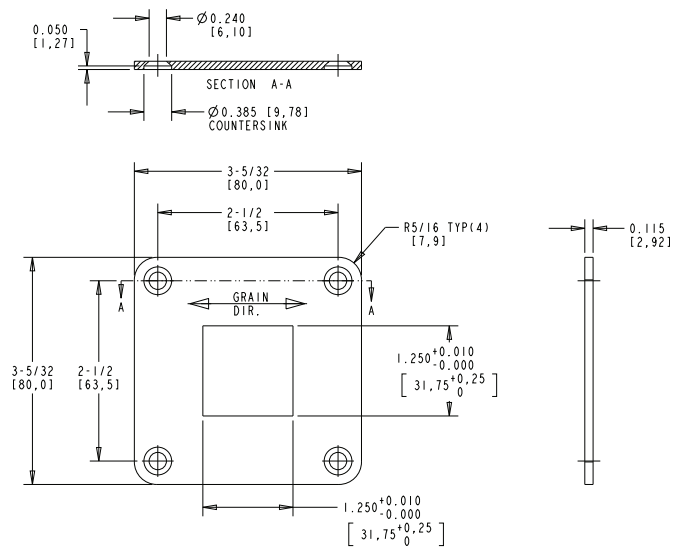
### 7106-100



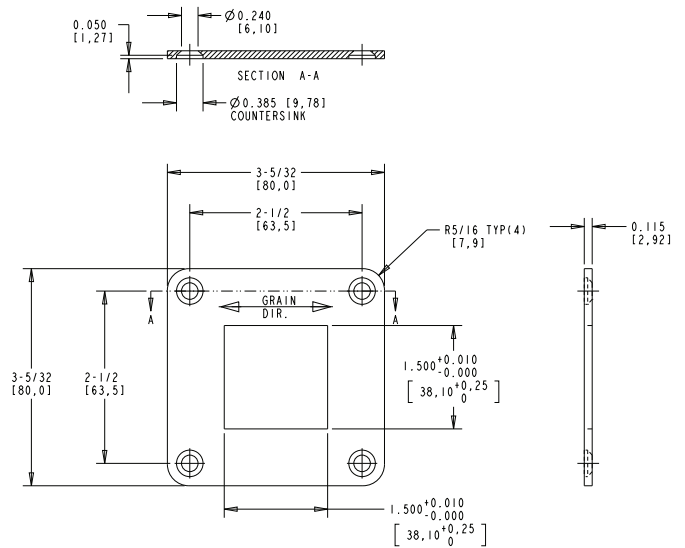
### 7106-101

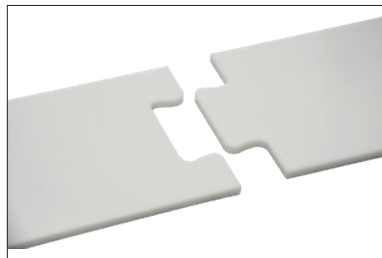


### 7106-200

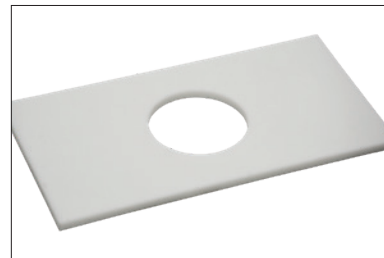


### 7106-201





Cut out feature



Hole feature

- Made with high density polythene
- Sandblasted finish
- Available in seven colors
- Full sheets or custom sizes
- Special cuts available: cutout, hole, drip through, and special

Part No.	Description	Dimensions
674050064801200	Cutting Board	5/8" x 48" x 120"
Please consult the sales representatives in your area or complete the form at the end of this catalog section.		

7405 Cutting Boards Order Form (P/N 7405)

- Fill out the form below for specifications and send via email ([info@kasonind.com](mailto:info@kasonind.com)) or fax (770-251-4854)
- All orders are custom and cannot be returned

Length \_\_\_\_\_ Width \_\_\_\_\_ Thickness \_\_\_\_\_

Color:  White  Green  Yellow  Blue  Tan  Red  Black

Options:  Cutout  Hole  Drip Through  Special

Company Name \_\_\_\_\_

Address \_\_\_\_\_

\_\_\_\_\_

Phone No \_\_\_\_\_

P.O. No \_\_\_\_\_ Date \_\_\_\_\_

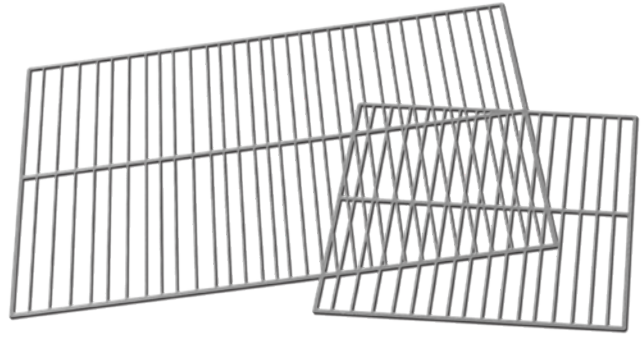
Authorized By \_\_\_\_\_



# 7401 Series

## Stainless Steel Wire Shelves

- Standard and heavy-duty
- Available in 304 stainless steel. Minimum order requirements apply for other finishes.



### For Quote and To Order

Fill out the form below for specifications and send via email or fax.  
(See Below)

#### Standard Duty Wire Shelves

Frame and crossbar support: 5/16" dia. wire  
Cross wires: 1/8" dia. on 3/4" spacing

Qty.	Material
	Stainless Steel

#### Heavy-Duty Wire Shelves

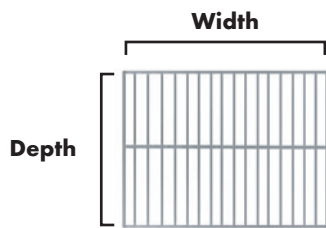
Frame and crossbar support: 3/8" dia. wire  
Cross wires: 1/8" dia. on 3/4" spacing

Qty.	Material
	Stainless Steel

#### Size Requirements

Width (left-to-right) \_\_\_\_\_

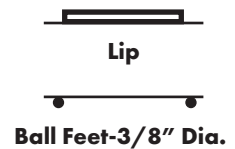
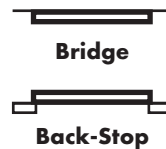
Depth (front-to-back) \_\_\_\_\_



#### Options

Please attach a detailed drawing

- Cut-outs indicate location, shape, and size
- 1/2" or 1" crosswire spacing
- Extra support bar



Company Name \_\_\_\_\_

Address \_\_\_\_\_

Authorized by \_\_\_\_\_

P.O. No. \_\_\_\_\_

Date \_\_\_\_\_

Phone # \_\_\_\_\_

#### Contact Us

Email: western@kasonind.com

Phone: 1.800.935.2766

Fax: 805.247.1164