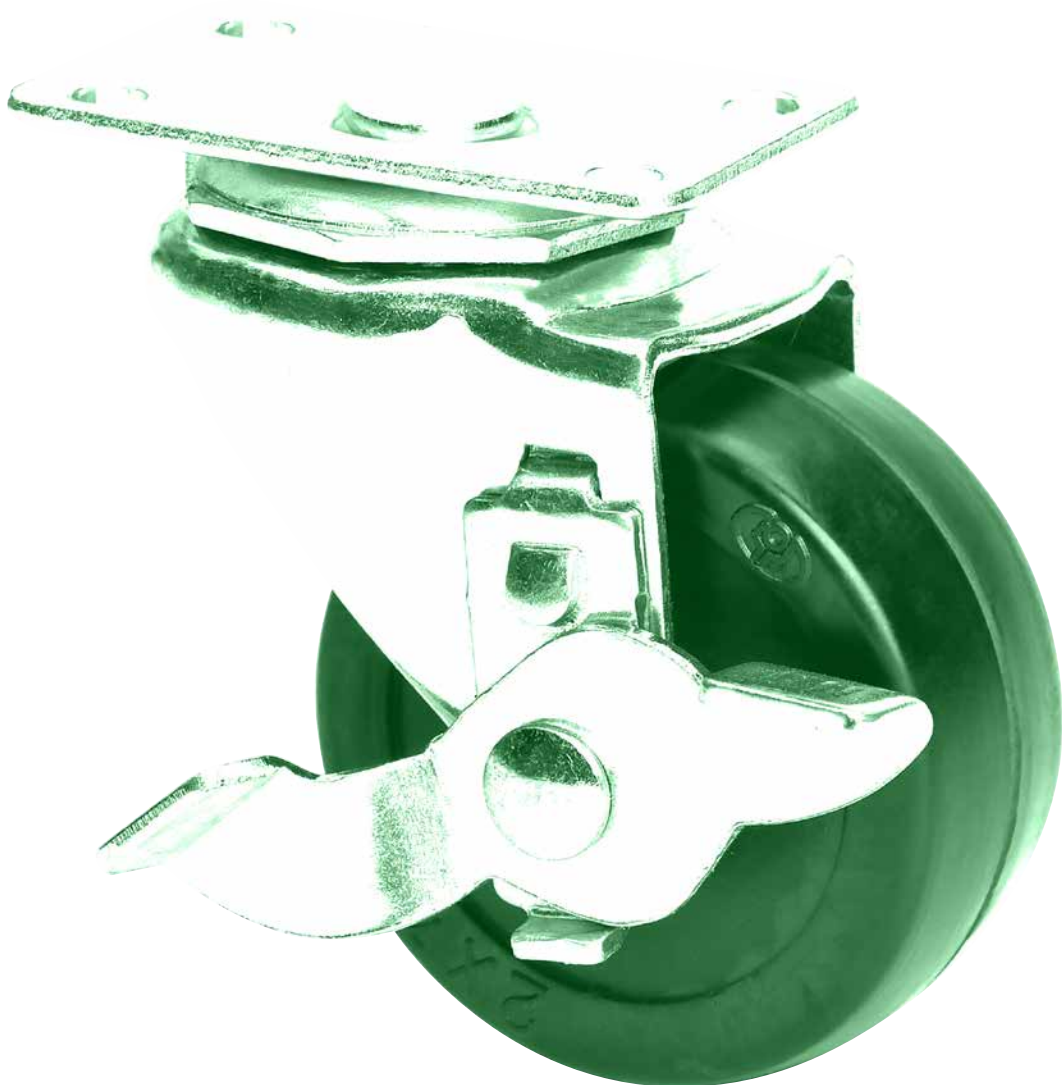




It's Better with Kason.

Casters & Caster Legs

1.800.935.2766 | kasonind.com



The Kason Mission

To Protect your Product Integrity

Our customers go to great lengths to build top-of-the-line coolers, freezers, foodservice equipment, industrial enclosures and delivery vans. Our goal is to preserve your product integrity by providing the highest quality door hardware and accessories for both original equipment and replacement applications.

End users need to protect products and processes, and lower operating costs. Their first line of defense is stable, airtight enclosures with doors that open with ease and close securely.

Since 1926, Kason has promised and delivered just that. Kason's extensive lines of walk-in and reach-in door hardware satisfy the most demanding requirements. Demonstrate the value of your products with the most innovative, dependable and longlasting hardware in the business.

Research and Testing

Every Kason product must fulfill our customers' requirements. Before we develop a new product, we research the needs of both our industry and end users. We are never satisfied with the status quo. Our dedicated research and development staff continually search for pioneering design concepts. They insist on engineering integrity, extensive product testing and precise, in-line quality control. That is how we have developed such successful and trustworthy products as SafeGuard® inside releasing safety latches, Pacesetter handles and hinges, stainless steel hinges and latches and truck door handles with removable cylinder locks.

Creative Concepts

Leading equipment manufacturers turn to Kason when they want a unique look of their own. We will adapt a stock product, design custom hardware or partner with your design engineers to develop a signature appearance just for your products. Building special and customized hardware is routine at Kason.

Quality

Kason production facilities boast state-of-the-art installations, featuring fully automated die-casting, polishing and electroplating, as well as a full range of electronically controlled and robotic machinery. We require the finest raw materials, accurate machine tolerances and the highest level of Finishing. Skilled, experienced people maintain the Kason tradition of production excellence. Our unremitting commitment to superior manufacturing assures you consistently high quality products at the lowest possible cost. Quality assurance is integrated into every step of Kason operations to from engineering research and development through packaging and shipping.

Service

The lifeline to all your foodservice needs is our efficient and friendly Customer Service Department. A representative can quickly track product availability or the status of your order with our computerized inventory and order control system. Count on dependable global delivery as we serve you from Kason distribution centers in the continental United States and Canada as well as through authorized distributors throughout the world.

Our Promise

Satisfying your needs is our top priority. That is why Kason supplies you with hardware and accessories that reflect the same quality you demand in your own products. We strive to demonstrate an attitude that makes you want to do business with us. At Kason we offer a tradition of excellence, a philosophy of innovation and the most trusted name in specialty commercial hardware.

Kason Contacts

USA Sales & Distribution Centers

1.800.93KASON (800.935.2766)

Kason Industries, Inc.

Global Headquarters

57 Amlajack Boulevard | Newnan, GA 30265-1015, USA
800.935.3550 | FAX: 770.251.4854
Info@kasonind.com

Kason Foodservice Division

31 Amlajack Boulevard | Newnan, GA 30265-1015, USA
866.231.2157 | FAX: 770.252.8397
FoodService@kasonind.com

Kason International Division

57 Amlajack Boulevard | Newnan, GA 30265-1015, USA
770.304.3000 | FAX: 770.251.4854
International@kasonind.com

Kason Vinyl Division

31 Amlajack Boulevard | Newnan, GA 30265-1015, USA
800.472.7450 | FAX: 770.252.8397
Vinyl@kasonind.com

Kason Canada Branch

226 Industrial Pkwy North, Unit 2 | Aurora, Ontario, L4G 4C3, Canada
905.713.6515 | FAX: 905.713.6518
Canada@kasonind.com

Kason Central Branch

8889 Whitney Drive | Lewis Center, OH 43035-7106, USA
740.549.2100 | FAX: 740.549.0701
Central@kasonind.com

Kason Mid-America Branch

1239 Atlantic Avenue | Kansas City, MO 64116-4141, USA
816.472.7450 | FAX: 816.472.8580
MidAmerica@kasonind.com

Kason Western Branch

1500 East Wooley Road, Suite E
Oxnard, CA 93030-7385, USA
805.247.1088 | FAX: 805.247.1164
Western@kasonind.com

Catalog Icons



Walk-In



Casters & Caster Legs



Vinyl



Plumbing



Sliding Doors



Cabinet & Cafeteria



Lighting & Electrical



Canopy Hood



Reach-In



Fabrication Supplies



Equipment Legs

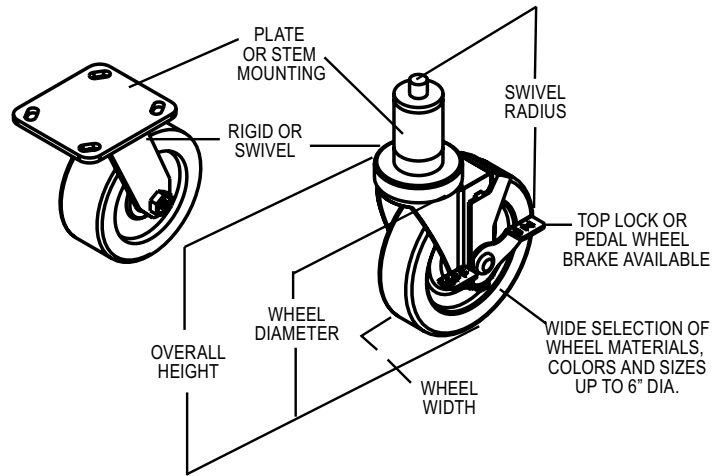


Truck Body



1752C-07 8-1/2" Adjustable	279
1752C-07S 8-1/2" Adjustable with Top Lock Brake	279
1752C-FM 8-1/2" Adjustable	278
1752C-FM 8-1/2" Non-Adjustable	278
1752C-FMB 8-1/2" Adjustable with Top Lock Brake.....	278
1752C-FMB 8-1/2" Non-Adjustable with Top Lock Brake	278
1752C Series 6" Medium-Duty with 3" Wheel	277
3000 Series Brake Option.....	260
3000 Series Light-Duty Casters.....	260
3000 Series Top Plates	260
3300 Series Light-Duty Casters.....	261
3300 Series Top Plates.....	261
3400 Series Light-Duty Casters.....	262
3400 Series Top Plates.....	262
4000 Series Brake Option.....	264
4000 Series General-Duty Casters	263
4000 Series Top Plates	264
5000 Series Light/Medium-Duty Casters.....	265
5000 Series Series Brake Option	265
5000 Series Top Plates	265
5200 Series Brake Option.....	267
5200 Series Medium-Duty Casters.....	267
5200 Series Top Plates and Stems	269
5600 Series Brake Options.....	271
5600 Series Medium-Duty Casters	270
5600 Series Top Plates	271
6600 Series Brake Options.....	273
6600 Series Heavy-Duty Casters.....	272
6600 Series Top Plates	273
B100 Series Corner Bumpers	281
Custom Caster Legs	280
Custom Casters	274
Duraglide Casters.....	257
DuraGlide Rigid Plate Casters	259
Expandable Stem Swivel Casters.....	258
How to Select Kason Casters.....	256
Order Form.....	282
Phenolic Wheels.....	275
Polyolefin Wheels	275
Polyurethane on Polyolefin Wheels.....	275
Round Tread Thermal Plastic Rubber Wheels.....	276
Soft and Hard Rubber Wheels.....	276
Swivel Plate Casters.....	257
Thermal Plastic Rubber Wheels.....	276
Threaded Stem Casters.....	257
Understanding Kason Caster Model Numbers.....	256

How to Select Kason Casters



We hope you find the following information valuable when making your caster selections. Call on your Kason Foodservice representative for assistance in ordering Kason casters and caster legs.

Application

The way your equipment is used determines the size and type of casters you will need. Consider the type of equipment, the total weight it will bear, the typical flooring surfaces it will travel over and average distance and route it will travel. For example, a mobile heated tray delivery system will travel long distances down corridors, around corners and through doorways over a variety of flooring, while a deep fryer may only be moved for cleaning, but requires exceptional stability when in place.

Load Capacity

Castors are available in a variety of load ratings. Determine the load capacity required of each caster by dividing the total weight the equipment will carry by the number of casters utilized. Add a safety factor of 25 percent minimum; greater for heavier or less stable applications.

Swivel Bearing Type

Ball Bearing. Ball at the base of the stem allows swivel to pivot more easily and smoothly

Caster Type

Consider equipment use and travel to select either a rigid caster or swivel caster. Example: Equipment that travels long, straight distances may glide better on rigid casters, while frequent side movement and short turn radius will require swivel casters. A combination of the two may work best for your application.

Wheel Selection

Wheel materials are selected based on load capacity, floor conditions and the working environment, for example:

- Hard and Soft Rubber. Inexpensive, durable, black wheels
- Polyolefin. Economical, non-marking hard black wheel. Suitable for virtually all applications
- Polyurethane. Resilient material rolls easily and won't mark floors. Very versatile, ideal for all applications
- Other wheel material available

For wheels description see pages 273–274.

Mounting Systems

- Top Plate. Flat plate that attaches with fasteners directly to equipment. Strongest and most secure; recommended for most mobile foodservice equipment
- Stem. A metal protrusion from the top of the caster into an opening in the equipment. May be supplied as threaded stem, expandable adapter or grip ring

Brake Type

- Top Lock. Simple, side-mounted brake locks wheel
- Pedal Wheel. Top-mounted, foot-activated brake

Zerk Fittings

Zerk grease fittings are supplied on various heavy-duty casters when occasional lubrication is required.

Understanding Kason Caster Model Numbers

Duraglide Series (see page 257)

Order using full model number listed. These are complete casters, as shown.

3000–6600 series (see pages 258–273)

Order using model numbers listed and add your preferred options as shown in the example below.

Example of Caster Model Number with Options: 6C5250R01HDPTLB

6	C52	50	(R)	** (01)	hdp	(tlb)
Internal Code	Series Number	Diameter (5")	Rigid Caster	Replace ** in Model No. with Your Preferred Fastener Code.	Wheel Type (eg., High Density Polyolefin)	Add Series Brake Option (eg., Top Lock Brake)

The affordable Duraglide casters from Kason Foodservice. Ideal for commercial kitchens, food service and food storage areas. Dependable, Medium-Duty casters support up to 300 lb (136 kg) per caster. In stock models with non-marking, grease resistant Gray polyurethane or black polyolefin wheels. Blue polyurethane wheels available. All Kason casters are NSF listed and RoHS compliant.

Swivel Plate Casters



Available in Gray Polyurethane

Medium-Duty 1-3/4" (32 mm) Tread Width

- Mounting plate: 2-3/8" x 3-5/8" (60 x 92 mm); hole openings spaced on 1-3/4" x 3" (44 x 76 mm) centers
- Mounts with 3/4" (6 mm) or 5/16" (8 mm) diameter bolts
- Load capacity up to 300 lb (136kg) per wheel
- Brake and non-brake models
- Gray polyurethane and black polyolefin shown; blue polyurethane wheels available

Description			Black Polyolefin Wheel		Gray Polyurethane Wheel		Blue Polyurethane Wheel	
Wheel Dia.	Ride Height	Swivel Radius	Non-Brake Model	Brake Model	Non-Brake Model	Brake Model	Non-Brake Model	Brake Model
3" (76 mm)	4" (102 mm)	2-7/8" (73 mm)	6C523001HDP	6C523001HDPTLB	6C523001PPPG	6C523001PPPGTLB	6C523001PPBK	6C523001PPBKTLB
4" (102 mm)	5" (127 mm)	3-3/8" (86 mm)	6C524001HDP	6C524001HDPTLB	6C524001PPPG	6C524001PPPGTLB	6C524001PPBK	6C524001PPBKTLB
5" (127 mm)	6" (152 mm)	4" (102 mm)	6C525001HDP	6C525001HDPTLB	6C525001PPPG	6C525001PPPGTLB	6C525001PPBK	6C525001PPBKTLB

Threaded Stem Casters



Available in Gray Polyurethane

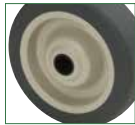
Medium-Duty 1-3/4" (32 mm) Tread Width

- Standard thread size 1/2-13 x 1-1/2" (38 mm)
- Load capacity up to 300 lb (136kg) per caster
- Brake and non-brake models
- Gray polyurethane and black polyolefin shown; blue polyurethane wheels available

Description			Black Polyolefin Wheel		Gray Polyurethane Wheel		Blue Polyurethane Wheel	
Wheel Dia.	Ride Height	Swivel Radius	Non-Brake Model	Brake Model	Non-Brake Model	Brake Model	Non-Brake Model	Brake Model
3" (76 mm)	4" (102 mm)	2-7/8" (73 mm)	6C523022HDP	6C523022HDPTLB	6C523022PPPG	6C523022PPPGTLB	6C523022PPBK	6C523022PPBKTLB
4" (102 mm)	5" (127 mm)	3-3/8" (86 mm)	6C524022HDP	6C524022HDPTLB	6C524022PPPG	6C524022PPPGTLB	6C524022PPBK	6C524022PPBKTLB
5" (127 mm)	6" (152 mm)	4" (102 mm)	6C525022HDP	6C525022HDPTLB	6C525022PPPG	6C525022PPPGTLB	6C525022PPBK	6C525022PPBKTLB



Expandable Stem Swivel Casters



Available in
Gray Polyurethane

Medium-Duty 1-3/4" (32 mm) Tread Width

- Stem expands to fit 16, 18 or 20 gauge (1.5, 1.2 or 1.0 mm) tubing wall thickness
- Load capacity up to 300 lb (136 kg) per caster
- Brake and non-brake models
- Gray polyurethane and black polyolefin shown; blue polyurethane wheels available

Description	Black Polyolefin Wheels				Gray Polyurethane Wheels		Gray Polyurethane Wheels		
	Wheel Diameter	Ride Height	Swivel Radius	Non-Brake Model	Brake Model	Non-Brake Model	Brake Model	Non-Brake Model	Brake Model
1" (25 mm) Diameter Round or Square Tubing	3" (76 mm)	4" (102 mm)	2-7/8" (73 mm)	6C523027HDP	6C523027HDPTLB	6C523027PPPG	6C523027PPPGTLB	6C523027PPBK	6C523027PPBKTLB
	4" (102 mm)	5" (127 mm)	3-3/8" (86 mm)	6C524027HDP	6C524027HDPTLB	6C524027PPPG	6C524027PPPGTLB	6C524027PPBK	6C524027PPBKTLB
	5" (127 mm)	6" (152 mm)	4" (102 mm)	6C525027HDP	6C525027HDPTLB	6C525027PPPG	6C525027PPPGTLB	6C525027PPBK	6C525027PPBKTLB
1-1/4" (32 mm) Diameter Round or Square Tubing	3" (76 mm)	4" (102 mm)	2-7/8" (73 mm)	6C523029HDP	6C523029HDPTLB	6C523029PPPG	6C523029PPPGTLB	6C523029PPBK	6C523029PPBKTLB
	4" (102 mm)	5" (127 mm)	3-3/8" (86 mm)	6C524029HDP	6C524029HDPTLB	6C524029PPPG	6C524029PPPGTLB	6C524029PPBK	6C524029PPBKTLB
	5" (127 mm)	6" (152 mm)	4" (102 mm)	6C525029HDP	6C525029HDPTLB	6C525029PPPG	6C525029PPPGTLB	6C525029PPBK	6C525029PPBKTLB
1-1/2" (38 mm) Diameter Round or Square Tubing or 1-1/4" (32 mm) Pipe	3" (76 mm)	4" (102 mm)	2-7/8" (73 mm)	6C523025HDP	6C523025HDPTLB	6C523025PPPG	6C523025PPPGTLB	6C523025PPBK	6C523025PPBKTLB
	4" (102 mm)	5" (127 mm)	3-3/8" (86 mm)	6C524025HDP	6C524025HDPTLB	6C524025PPPG	6C524025PPPGTLB	6C524025PPBK	6C524025PPBKTLB
	5" (127 mm)	6" (152 mm)	4" (102 mm)	6C525025HDP	6C525025HDPTLB	6C525025PPPG	6C525025PPPGTLB	6C525025PPBK	6C525025PPBKTLB
1-5/8" (40 mm) Diameter Round or Square Tubing	3" (76 mm)	4" (102 mm)	2-7/8" (73 mm)	6C523026HDP	6C523026HDPTLB	6C523026PPPG	6C523026PPPGTLB	6C523026PPBK	6C523026PPBKTLB
	4" (102 mm)	5" (127 mm)	3-3/8" (86 mm)	6C524026HDP	6C524026HDPTLB	6C524026PPPG	6C524026PPPGTLB	6C524026PPBK	6C524026PPBKTLB
	5" (127 mm)	6" (152 mm)	4" (102 mm)	6C525026HDP	6C525026HDPTLB	6C525026PPPG	6C525026PPPGTLB	6C525026PPBK	6C525026PPBKTLB
2" (50 mm) Diameter Round or Square Tubing	3" (76 mm)	4" (102 mm)	2-7/8" (73 mm)	6C523026BKHDP	6C523026BKHDPTL	6C523026BKPPPG	6C523026BKPPPGT	6C523026BKPPBK	6C523026BKPPBKTL
	4" (102 mm)	5" (127 mm)	3-3/8" (86 mm)	6C524026BKHDP	6C524026BKHDPTL	6C524026BKPPPG	6C524026BKPPPGT	6C524026BKPPBK	6C524026BKPPBKTL
	5" (127 mm)	6" (152 mm)	4" (102 mm)	6C525026BKHDP	6C525026BKHDPTL	6C525026BKPPPG	6C525026BKPPPGT	6C525026BKPPBK	6C525026BKPPBKTL



COMPONENT



Available in
Gray Polyurethane

Medium-Duty 1-3/4" (32 mm) Tread Width

- Mounting plate: 2-3/8" x 3-5/8" (60 x 92 mm); hole openings spaced on 1-3/4" x 3" (44 x 76 mm) centers
- Mounts with 3/4" (6 mm) or 5/16" (8 mm) diameter bolts
- Load capacity up to 300 lb (136 mm) per caster
- Non-brake models
- Gray polyurethane and black polyolefin shown; blue polyurethane wheels available

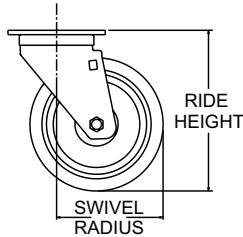
Description		Black Polyolefin Wheels	Gray Polyurethane Wheels	Blue Polyurethane Wheels
Wheel Dia.	Ride Height	Non-Brake Model	Non-Brake Model	Non-Brake Model
3" (76 mm)	4" (102 mm)	6C5230R01HDP	6C5230R01PPPG	6C5230R01PPBK
4" (102 mm)	5" (127 mm)	6C5240R01HDP	6C5240R01PPPG	6C5240R01PPBK
5" (127 mm)	6" (152 mm)	6C5250R01HDP	6C5250R01PPPG	6C5250R01PPBK



3000 Series Light-Duty Casters



Top Lock Brake - TLB

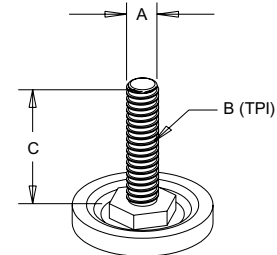
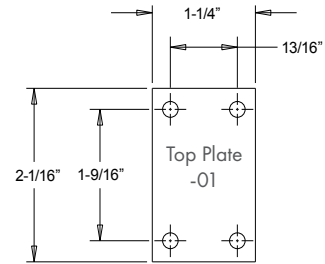


- Load capacity up to 120 lb per caster
- Double ball raceway
- Select from variety of fasteners
- Applications – lightweight institutional and foodservice equipment, mobile medical equipment, rolling ladders and more

3000 Series Brake Option

- Integrated top-lock brake provides a sure lock
- When ordering, add brake abbreviation to end of caster part number

3000 Series Top Plates



Threaded Stem

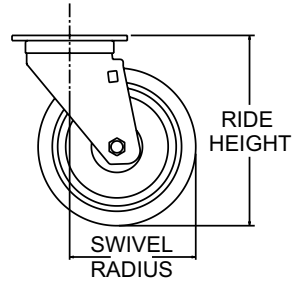
Wheel Dia.	Wheel Width	Wheel Type	Bearing Type	Load Rating lb/Ea.	Swivel Radius	Part No. (Replace ** With Fastener Code)
2" (50 mm)	7/8" (22 mm)	Soft Rubber	Nylon	100	1-13/16" (46 mm)	6C3020-**-SR
		Hard Rubber	Nylon	100		6C3020-**-HR
		Polyolefin	Plain	100		6C3020-**-LDP
		Poly-U/Poly-O (Gray/Beige)	Plain	100		6C3020-**-PPPG
		Thermal Plastic Rubber	Plain	100		6C3020-**-TRP
2-1/2" (64 mm)	13/16" (21 mm)	Soft Rubber	Nylon	105	2-1/16" (52 mm)	6C3025-**-SR
		Hard Rubber	Nylon	110		6C3025-**-HR
		Polyolefin	Plain	110		6C3025-**-LDP
		Poly-U/Poly-O (Gray/Beige)	Plain	110		6C3025-**-PPPG
		Thermal Plastic Rubber	Plain	105		6C3025-**-TRP
3" (76 mm)	13/16" (21 mm)	Soft Rubber	Nylon	110	2-3/8" (60 mm)	6C3030-**-SR
		Hard Rubber	Nylon	120		6C3030-**-HR
		Polyolefin	Plain	120		6C3030-**-LDP
		Poly-U/Poly-O (Gray/Beige)	Plain	120		6C3030-**-PPPG
		Thermal Plastic Rubber	Plain	110		6C3030-**-TRP

Fastener Type	Code	Size		
		Overall Size	Hole Spacing	Attaching Bolt Size
Top Plate	01	1-3/4" x 2-1/16" (32 x 52 mm)	13/16" x 1-9/16" (21 x 40 mm)	3/16" (5 mm)
	20	A-B x C		
	21	1/2-13 x 1/2" (13 mm)		
Threaded Stem	23	3/8-16 x 1" (25 mm)		
	24	3/8-16 x 1-3/4" (32 mm)		
	25	3/8-16 x 1-1/2" (38 mm)		
Fastener		For 2" (50 mm)	For 2-1/2" (64 mm)	For 3" (76 mm)
01		2-5/8" (67 mm)	3-1/8" (79 mm)	3-5/8" (92 mm)
20 THRU 25		2-3/4" (70 mm)	3-3/16" (81 mm)	3.69" (94 mm)





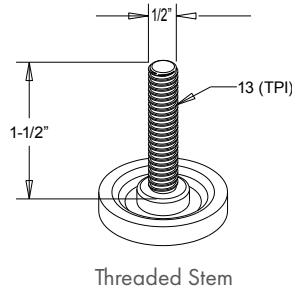
Thumb Screw Brake - TSB



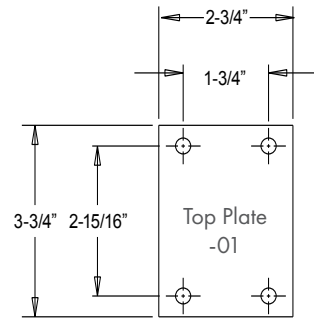
Wheel Dia.	Wheel Width	Wheel Type	Bearing Type	Load Rating lb/Each	Swivel Radius	Ride Height	Part No. (Replace ** with Fastener Code)
2" (50 mm)	1-13/16" (46 mm)	Polyolefin	Plain	260	1-7/8" (48 mm)	2-13/16" (71 mm)	6C3320-**-HDP

- Load capacity up to 260 lb per caster
- Single or dual wheel styles
- Case-hardened double ball raceways for extra capacity and durability
- High capacity with low overall height
- Bright zinc finish
- Applications – Under counter equipment; other uses where height is a factor
- Available with thumb screw brake only

3300 Series Top Plates



Threaded Stem



Wheel Dia.	Wheel Width	Wheel Type	Bearing Type	Load Rating lb/Each	Swivel Radius	Ride Height	Part No. (Replace ** with Fastener Code)
2" (50)	2-13/16" (71 mm)	Hard Rubber	Plain	260	1-7/8" (46 mm)	2-13/16" (71 mm)	6C3322-**-HR
		Thermal Plastic Rubber	Plain	220			6C3322-**-TRP

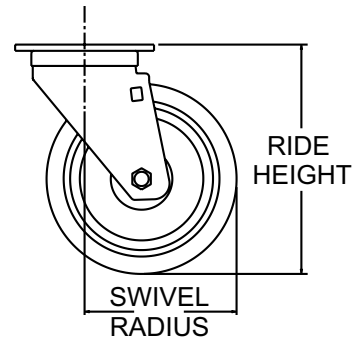
Fastener Type	Code	Overall Size	Hole Spacing	Attaching Bolt Size
Top Plate	01	2-3/4" x 3-3/4" (70 x 95 mm)	1-3/4" x 2-15/16" (44 x 74 mm)	5/16" (8 mm)
Threaded Stem	21	1/2-13 x 1-1/2" (38 mm)		

3300 Series Brake Option

When ordering, add brake abbreviation to end of caster part number.



3400 Series Light-Duty Casters



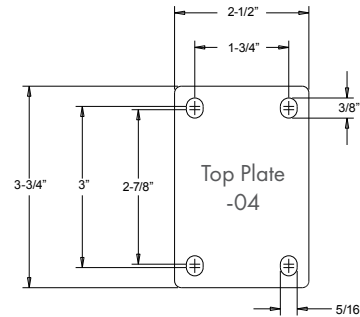
- Load capacity up to 220 lb per caster
- Case hardened double ball raceways provide extra capacity and durability
- Applications – Foodservice equipment, light-duty service carts and stock carts and more

Wheel Dia.	Wheel Width	Wheel Type	Bearing Type	Load Rating lb/Ea.	Swivel Radius	Ride Height	Part No.	
							Swivel	Rigid
3" (76 mm)	1" (25 mm)	Soft Rubber	Nylon	110	2-13/16" (75 mm)	3-7/8" (98 mm)	6C3430-04-SR	6C3430R-04-SR
		Hard Rubber	Nylon	130			6C3430-04-HR	6C3430R-04-HR
		Polyolefin	Plain	175			6C3430-04-LDP	6C3430R-04-LDP
		Poly-U/Poly-O (Gray/Beige)	Plain	175			6C3430-04-PPPG	6C3430R-04-PPPG
		Thermal Plastic Rubber	Plain	175			6C3430-04-TRP	6C3430R-04-TRP
4" (102 mm)	1" (25 mm)	Soft Rubber	Nylon	130	3-3/4" (83 mm)	4-7/8" (124 mm)	6C3440-04-SR	6C3440R-04-SR
		Hard Rubber	Nylon	175			6C3440-04-HR	6C3440R-04-HR
		Polyolefin	Oilite	220			6C3440-04-HDPO	6C3440R-04-HDPO
		Poly-U/Poly-O (Gray/Beige)	Plain	220			6C3440-04-PPPG	6C3440R-04-PPPG
		Thermal Plastic Rubber	Plain	190			6C3440-04-TRP	6C3440R-04-TRP

3400 Series Top Plates



Top Lock Brake - TLB

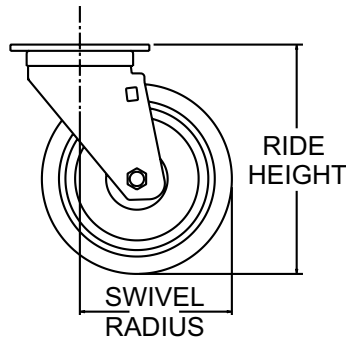


Type	Code	Overall Size	Hole Spacing	Attaching Bolt Size
Top Plate	04	2-1/2" x 3-3/4" (64 x 95 mm)	1-3/4" x 2-7/8" (44 x 73 mm) Slotted to 3" (76 mm)	5/16" (8 mm)

3400 Series Brake Option

When ordering, add brake abbreviation to end of caster part number.





- Load capacity up to 300 lb per caster
- Case hardened double ball raceways
- Applications – Foodservice equipment and carts, bakery racks and equipment, mobile cases, displays, mobile wire racking and more

Wheel Dia.	Wheel Width	Wheel Type	Bearing Type	Load Rating lb/Ea.	Swivel Radius	Ride Height	Part No.	
							Swivel	Rigid
2" (50 mm)	1 5/16" (24 mm)	Soft Rubber	Nylon	90	2" (50 mm)	2-1/2" (64 mm)	6C4020-01-SR	6C4020R-01-SR
		Hard Rubber	Nylon	150			6C4020-01-HR	6C4020R-01-HR
		Polyolefin	Plain	150			6C4020-01-LDP	6C4020R-01-LDP
		Poly-U/Poly-O (Gray/Beige)	Plain	120			6C4020-01-PPPG	6C4020R-01-PPPG
2-1/2" (64 mm)	1-1/8" (29 mm)	Soft Rubber	Nylon	120	2-3/8" (60 mm)	3-1/8" (79 mm)	6C4025-01-SR	6C4025R-01-SR
		Hard Rubber	Nylon	160			6C4025-01-HR	6C4025R-01-HR
		Light-Duty Polyolefin	Plain	160			6C4025-01-LDP	6C4025R-01-LDP
		Heavy-Duty Polyolefin	Plain	200			6C4025-01-HDP	6C4025R-01-HDP
		Poly-U/Poly-O (Gray/Beige)	Oilless	160			6C4025-01-PPOR	6C4025R-01-PPOR
		Thermal Plastic Rubber	Oilless	150			6C4025-01-TRO	6C4025R-01-TRO
3" (76 mm)	1-3/4" (32 mm)	Soft Rubber	Nylon	150	3" (76 mm)	3-3/4" (95 mm)	6C4030-01-SR	6C4030R-01-SR
		Soft Rubber	Ball	150			6C4030-01-SRB	6C4030R-01-SRB
		Hard Rubber	Nylon	220			6C4030-01-HR	6C4030R-01-HR
		Hard Rubber	Ball	220			6C4030-01-HRB	6C4030R-01-HRB
		Light-Duty Polyolefin	Plain	250			6C4030-01-LDP	6C4030R-01-LDP
		Heavy-Duty Polyolefin	Plain	250			6C4030-01-HDP	6C4030R-01-HDP
		Heavy-Duty Polyolefin	Ball	250			6C4030-01-HDPB	6C4030R-01-HDPB
		Poly-U/Poly-O (Gray/Beige)	Ball	250			6C4030-01-PPBG	6C4030R-01-PPBG
		Poly-U/Poly-O (Gray/Beige)	Plain	250			6C4030-01-PPPG	6C4030R-01-PPPG
		Phenolic	Stl Dsw	250			6C4030-01-PHN	6C4030R-01-PHN
		Thermal Plastic Rubber	Plain	165			6C4030-01-TRP	6C4030R-01-TRP
4" (102 mm)	1-1/2" (38 mm)	Soft Rubber	Nylon	225	3-3/8" (86 mm)	5" (127 mm)	6C4040-01-SR	6C4040R-01-SR
		Hard Rubber	Nylon	300			6C4040-01-HR	6C4040R-01-HR
	1-5/8" (41 mm)	Polyolefin	Stl Span	300			6C4040-01-XDPO	6C4040R-01-XDPO

©2022 Kason Industries, Inc.

1121 LIT 001



4000 Series Brake Option

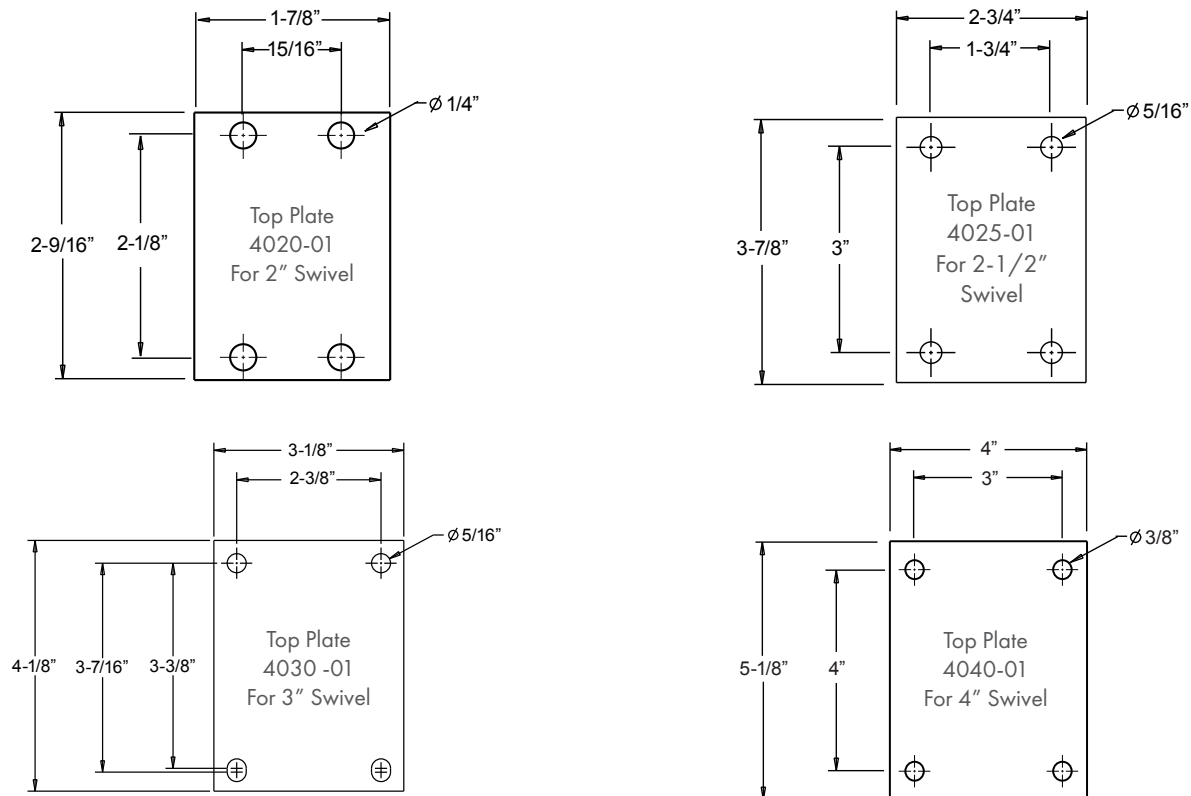


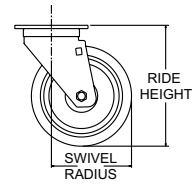
Top Lock Brake - TLB

- When ordering, add brake abbreviation to end of caster part number.

Caster Type	Wheel Dia.	Overall Size	Bolt Hole Pattern	Bolt Size
Swivel	2" (50 mm)	1-7/8" x 2-9/16" (48 x 65 mm)	15/16" x 2-1/8" (24 x 54 mm)	1/4" (6 mm)
	2-1/2" (64 mm)	2-3/4" x 3-7/8" (70 x 98 mm)	1-3/4" x 3" (44 x 76 mm)	5/16" (8 mm)
Swivel	3" (76 mm)	3-1/8" x 4-1/8" (79 x 105 mm)	2-3/8" x 3-3/8" (60 x 86 mm) Slotted to 3-7/16" (87 mm)	5/16" (8 mm)
	4" (102 mm)	4" x 5-1/8" (102 x 130 mm)	3" x 4" (76 x 102 mm)	3/8" (10 mm)

4000 Series Top Plates





- Load capacity up to 350 lb per caster
- Case hardened double ball raceways
- Yoke is stamped and drawn from from heavily embossed steel
- 1/2" king pin is hydraulically upset to increase shock absorbency
- Variety of fasteners for wide range of applications

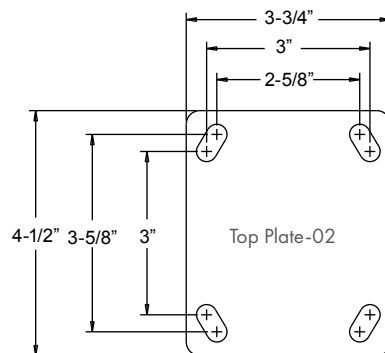
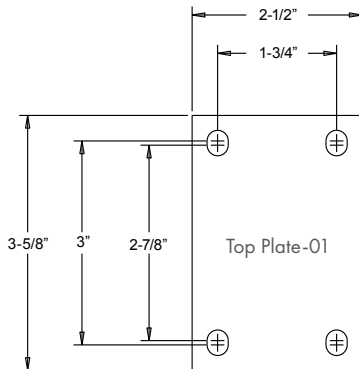
5000 Series Series Brake Option



Top Lock Brake - TLB

Fastener Type	Code	Overall Size	Bolt Hole Pattern	Attaching Bolt Size
Top Plate	01	2-1/2" x 3-5/8" (64 x 92 mm)	1-3/4" x 2-7/8" (44 x 73") Slotted to 3" (76 mm)	5/16" (8 mm)
	02	3-3/4" x 4-1/2" (95 x 114 mm)	2-5/8" x 3-5/8" (67 x 92 mm) Slotted to 3 x 3 (76 x 76 mm)	3/8" (10 mm)
Threaded Stem (with Lower Nut Under Raceway)	A-B x C			
	21	1/2-13 x 1" (25 mm)		
	22	1/2-13 x 1-1/2" (38 mm)		

5000 Series Top Plates



Wheel Dia.	Wheel Width	Wheel Type	Bearing Type	Load Rating lb/Ea.	Swivel Radius	Ride Height	Part No. (Replace ** With Fastener Code)	
							Swivel	Rigid
3" (76 mm)	1-3/4" (32 mm)	Soft Rubber	Nylon	150	3" (76 mm)	4" (102 mm)	6C5030-**-SR	6C5030R-**-SR
		Soft Rubber	Ball	150			6C5030-**-SRB	6C5030R-**-SRB
		Hard Rubber	Nylon	250			6C5030-**-HR	6C5030R-**-HR
		Hard Rubber	Ball	250			6C5030-**-HRB	6C5030R-**-HRB
		Phenolic	Steel	350			6C5030-**-PHN	6C5030R-**-PHN
		Polyolefin	Plain	300			6C5030-**-HDP	6C5030R-**-HDP
		Polyolefin	Ball	300			6C5030-**-HDPB	6C5030R-**-HDPB
		Poly-U/Poly-O (Gray/Beige)	Ball	250			6C5030-**-PPBG	6C5030R-**-PPBG
		Poly-U/Poly-O (Gray/Beige)	Plain	250			6C5030-**-PPPG	6C5030R-**-PPPG
		Thermal Plastic Rubber	Ball	210			6C5030-**-TRB	6C5030R-**-TRB
Thermal Plastic Rubber	Plain	210	6C5030-**-TRP	6C5030R-**-TRP				
3-1/2" (89 mm)	1-3/4" (32 mm)	Soft Rubber	Nylon	160	3-1/8" (79 mm)	4-5/8" (117 mm)	6C5035-**-SR	6C5035R-**-SR
		Hard Rubber	Nylon	275			6C5035-**-HR	6C5035R-**-HR
		Polyolefin	Plain	300			6C5035-**-HDP	6C5035R-**-HDP
		Poly-U/Poly-O (Gray/Beige)	Ball	250			6C5035-**-PPBG	6C5035R-**-PPBG
		Poly-U/Poly-O (Black/Gray)	Ball	250			6C5035**PPBK	6C5035R**PPBK
		Poly-U/Poly-O (Blue/Gray)	Ball	250			6C5035-**-PPBL	6C5035R-**-PPBL
		Poly-U/Poly-O (Gray/Beige)	Plain	250			6C5035-**-PPPG	6C5035R-**-PPPG
		Thermal Plastic Rubber	Ball	250			6C5035-**-TRB	6C5035R-**-TRB
Thermal Plastic Rubber	Plain	250	6C5035-**-TRP	6C5035R-**-TRP				
4" (102 mm)	1-3/4" (32 mm)	Soft Rubber	Nylon	170	3-1/2" (89 mm)	5" (127 mm)	6C5040-**-SR	6C5040R-**-SR
		Soft Rubber	Ball	170			6C5040-**-SRB	6C5040R-**-SRB
		Hard Rubber	Nylon	275			6C5040-**-HR	6C5040R-**-HR
		Hard Rubber	Ball	275			6C5040-**-HRB	6C5040R-**-HRB
		Phenolic	Steel	350			6C5040-**-PHN	6C5040R-**-PHN
		Polyolefin	Plain	300			6C5040-**-HDP	6C5040R-**-HDP
		Poly-U/Poly-O (Gray/Beige)	Ball	275			6C5040-**-PPBG	6C5040R-**-PPBG
		Poly-U/Poly-O (Black/Gray)	Ball	275			6C5040-**-PPBK	6C5040R-**-PPBK
		Poly-U/Poly-O (Blue/Gray)	Ball	275			6C5040-**-PPBL	6C5040R-**-PPBL
		Poly-U/Poly-O (Gray/Beige)	Plain	275			6C5040-**-PPPG	6C5040R-**-PPPG
Thermal Plastic Rubber	Ball	250	6C5040-**-TRB	6C5040R-**-TRB				
Thermal Plastic Rubber	Plain	250	6C5040-**-TRP	6C5040R-**-TRP				
5" (127 mm)	1-3/4" (32 mm)	Soft Rubber	Nylon	200	4" (102 mm)	6-3/16" (157 mm)	6C5050-**-SR	6C5050R-**-SR
		Soft Rubber	Ball	200			6C5050-**-SRB	6C5050R-**-SRB
		Hard Rubber	Nylon	280			6C5050-**-HR	6C5050R-**-HR
		Hard Rubber	Ball	280			6C5050-**-HRB	6C5050R-**-HRB
		Phenolic	Steel	350			6C5050-**-PHN	6C5050R-**-PHN
		Polyolefin	Plain	325			6C5050-**-HDP	6C5050R-**-HDP
		Poly-U/Poly-O (Gray/Beige)	Ball	300			6C5050-**-PPBG	6C5050R-**-PPBG
		Poly-U/Poly-O (Black/Gray)	Ball	300			6C5050-**-PPBK	6C5050R-**-PPBK
		Poly-U/Poly-O (Blue/Gray)	Ball	300			6C5050-**-PPBL	6C5050R-**-PPBL
		Poly-U/Poly-O (Gray/Beige)	Plain	300			6C5050-**-PPPG	6C5050R-**-PPPG
		Thermal Plastic Rubber	Ball	250			6C5050-**-TRB	6C5050R-**-TRB
		Thermal Plastic Rubber	Plain	250			6C5050-**-TRP	6C5050R-**-TRP
Round Thermal Plastic Rubber	Graphite	250	6C5050-**-RTPO	6C5050R-**-RTPO				
6" (152 mm)	1-3/4" (32 mm)	Poly-U/Poly-O (Gray/Beige)	Ball	325			6C5060-**-PPBG	6C5060R-**-PPBG
		Thermal Plastic Rubber	Ball	300			6C5060-**-TRB	6C5060R-**-TRB

Stainless steel available, special order. Minimum quantities apply



- Load capacity up to 350 lb per caster
- Case hardened double ball raceways provide extra capacity and durability
- Smooth staking of king pin
- Swivel raceway is protected by metal dust cover
- Integrated top lock brake available for swivel and rigid caster models
- Applications – Light to medium foodservice equipment and carts, bakery racks and equipment, mobile cases, displays and more

5200 Series Brake Option



Pedal Wheel for Swivel Only - PWB



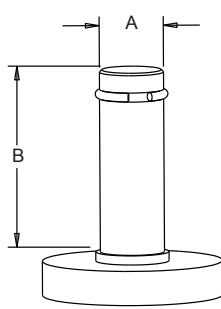
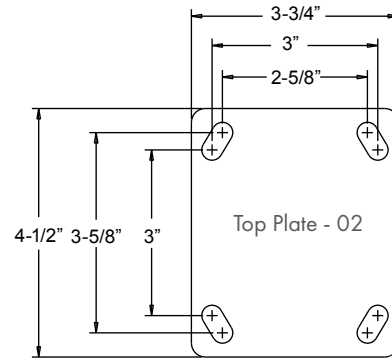
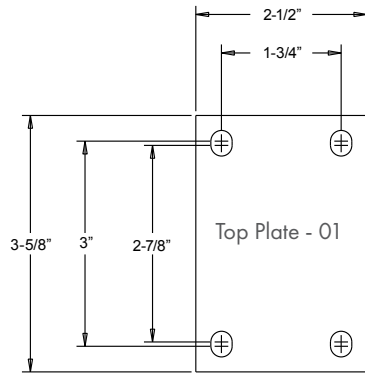
Top Lock Brake for Swivel Only - TLB

When ordering, add brake abbreviations to end of caster part number.

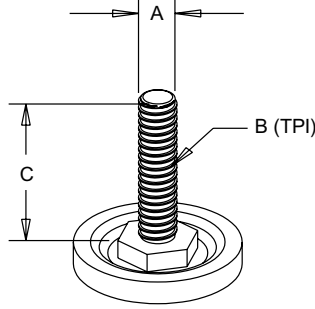


Wheel Dia.	Wheel Width	Wheel Type	Bearing Type	Load Rating lb./Ea.	Swivel Radius	Ride Height	Part No. (Replace ** With Fastener Code)	
							Swivel	Rigid
3" (76 mm)	1-3/4" (32 mm)	Soft Rubber	Nylon	150	2-7/8" (73 mm)	4-1/16" (103 mm)	6C5230-**-SR	6C5230R-**-SR
		Soft Rubber	Ball	150			6C5230-**-SRB	6C5230R-**-SRB
		Hard Rubber	Nylon	250			6C5230-**-HR	6C5230R-**-HR
		Hard Rubber	Ball	250			6C5230-**-HRB	6C5230R-**-HRB
		Phenolic	Steel	350			6C5230-**-PHN	6C5230R-**-PHN
		Polyolefin	Plain	300			6C5230-**-HDP	6C5230R-**-HDP
		Polyolefin	Ball	300			6C5230-**-HDPB	6C5230R-**-HDPB
		Poly-U/Poly-O (Gray/Beige)	Ball	250			6C5230-**-PPBG	6C5230R-**-PPBG
		Poly-U/Poly-O (Blue/Gray)	Ball	250			6C5230-**-PPBL	6C5230R-**-PPBL
		Poly-U/Poly-O (Gray/Beige)	Plain	250			6C5230-**-PPPG	6C5230R-**-PPPG
		Thermal Plastic Rubber	Ball	210			6C5230-**-TRB	6C5230R-**-TRB
		Thermal Plastic Rubber	Plain	210			6C5230-**-TRP	6C5230R-**-TRP
3-1/2" (89 mm)	1-3/4" (32 mm)	Soft Rubber	Nylon	160	3-3/4" (83 mm)	4-5/8" (117 mm)	6C5235-**-SR	6C5235R-**-SR
		Hard Rubber	Nylon	275			6C5235-**-HR	6C5235R-**-HR
		Polyolefin	Plain	300			6C5235-**-HDP	6C5235R-**-HDP
		Poly-U/Poly-O (Gray/Beige)	Ball	250			6C5235-**-PPBG	6C5235R-**-PPBG
		Poly-U/Poly-O (Black/Gray)	Ball	250			6C5235-**-PPBK	6C5235R-**-PPBK
		Poly-U/Poly-O (Blue/Gray)	Ball	250			6C5235-**-PPBL	6C5235R-**-PPBL
		Poly-U/Poly-O (Gray/Beige)	Plain	250			6C5235-**-PPPG	6C5235R-**-PPPG
		Thermal Plastic Rubber	Ball	250			6C5235-**-TRB	6C5235R-**-TRB
Thermal Plastic Rubber	Plain	250	6C5235-**-TRP	6C5235R-**-TRP				
4" (102 mm)	1-3/4" (32 mm)	Soft Rubber	Nylon	170	3-1/2" (89 mm)	5-1/8" (130 mm)	6C5240-**-SR	6C5240R-**-SR
		Soft Rubber	Ball	170			6C5240-**-SRB	6C5240R-**-SRB
		Hard Rubber	Nylon	275			6C5240-**-HR	6C5240R-**-HR
		Hard Rubber	Ball	275			6C5240-**-HRB	6C5240R-**-HRB
		Phenolic	Steel	350			6C5240-**-PHN	6C5240R-**-PHN
		Polyolefin	Plain	300			6C5240-**-HDP	6C5240R-**-HDP
		Poly-U/Poly-O (Gray/Beige)	Ball	275			6C5240-**-PPBG	6C5240R-**-PPBG
		Poly-U/Poly-O (Black/Gray)	Ball	275			6C5240-**-PPBK	6C5240R-**-PPBK
		Poly-U/Poly-O (Blue/Gray)	Ball	275			6C5240-**-PPBL	6C5240R-**-PPBL
		Poly-U/Poly-O (Gray/Beige)	Plain	275			6C5240-**-PPPG	6C5240R-**-PPPG
		Thermal Plastic Rubber	Ball	250			6C5240-**-TRB	6C5240R-**-TRB
		Thermal Plastic Rubber	Plain	250			6C5240-**-TRP	6C5240R-**-TRP
5" (127 mm)	1-3/4" (32 mm)	Soft Rubber	Nylon	200	4" (102 mm)	6-3/16" (157 mm)	6C5250-**-SR	6C5250R-**-SR
		Soft Rubber	Ball	200			6C5250-**-SRB	6C5250R-**-SRB
		Hard Rubber	Nylon	280			6C5250-**-HR	6C5250R-**-HR
		Hard Rubber	Ball	280			6C5250-**-HRB	6C5250R-**-HRB
		Phenolic	Stl Dsw	350			6C5250-**-PHN	6C5250R-**-PHN
		Polyolefin	Plain	325			6C5250-**-HDP	6C5250R-**-HDP
		Poly-U/Poly-O (Gray/Beige)	Ball	300			6C5250-**-PPBG	6C5250R-**-PPBG
		Poly-U/Poly-O (Black/Gray)	Ball	300			6C5250-**-PPBK	6C5250R-**-PPBK
		Poly-U/Poly-O (Blue/Gray)	Ball	300			6C5250-**-PPBL	6C5250R-**-PPBL
		Poly-U/Poly-O (Gray/Beige)	Plain	300			6C5250-**-PPPG	6C5250R-**-PPPG
		Thermal Plastic Rubber	Ball	250			6C5250-**-TRB	6C5250R-**-TRB
		Thermal Plastic Rubber	Plain	250			6C5250-**-TRP	6C5250R-**-TRP
Round Thermal Plastic Rubber	Graphite	250	6C5250-**-RTPO	6C5250R-**-RTPO				
6" (152 mm)	1-3/4" (32 mm)	Poly-U/Poly-O (Gray/Beige)	Ball	325	4-1/2" (114 mm)	7-3/8" (187 mm)	6C5260-**-PPBG	6C5260R-**-PPBG
		Thermal Plastic Rubber	Ball	300			6C5250-**-TRB	6C5250R-**-TRB

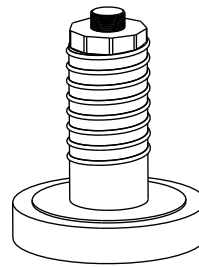
Stainless steel available, special order. Minimum quantities apply.



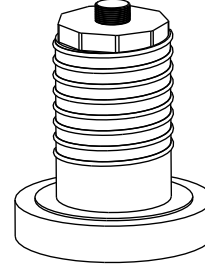
Grip Ring Stem



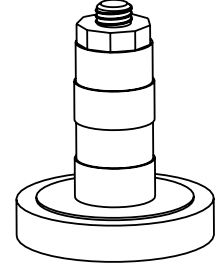
Threaded Stem



Expanding Stem



Expanding Stem



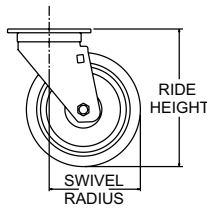
Expanding Stem

Type	Code	Overall Size	Bolt Hole Pattern	Attaching Bolt Size
Top Plate	01	2-1/2" x 3-5/8" (64 x 92 mm)	1-3/4" x 2-7/8" (44 x 73 mm), Slotted to 3" (76 mm)	5/16" (8 mm)
	02	3-3/4" x 4-1/2" (95 x 114 mm)	2-5/8" x 3-5/8" (67 x 92 mm), Slotted to 3" x 3"	3/8" (10 mm)
Grip Ring Stem	A x B			
	11	7/16" x 1-1/2" (11 x 38 mm)		
	12	0.85" x 2-3/16" (21 x 55 mm)		
Threaded Stem (With Lower Nut Under Raceway)	A-B x C			
	21	1/2-13 x 1" (25 mm)		
	22	1/2-13 x 1-1/2" (38 mm)		
	23	1/2-13 x 2-3/16" (55 mm)		
	24	1/2-13 x 2-3/4" (57 mm)		
	26N	1/2-13 x 2-13/16" (71 mm)		
	58134	5/8-11 x 1-3/4" (44 mm)		
	34134	3/4-10 x 1-3/4" (44 mm)		
	344	3/4-10 x 4" (102 mm)		
Expanding Stems	25	For 1-3/8" I.D., 1-1/2" O.D. Tubing		
	26	For 1-1/2" I.D., 1-5/8" O.D. Tubing		
	27	For 7/8" I.D., 1" O.D. Tubing		
	28	For 1" I.D., 1-1/8" O.D. Tubing		
	29	For 1-1/8" I.D., 1-3/4" O.D. Tubing		

©2022 Kason Industries, Inc.

1121 LIT 001

5600 Series Medium-Duty Casters



- Load capacity up to 500 lb per caster
- Yoke is cut and stamped from heavily embossed steel
- Case hardened double ball raceways provide extra capacity & durability
- 1/2" (13 mm) king pin is hydraulically upset to increase shock absorbing capacity
- Applications – Light-Medium-Duty material handling equipment, foodservice carts and equipment, bakery racks & equipment, wire racking, stock carts and more

Wheel Dia.	Wheel Width	Wheel Type	Bearing Type	Load Rating lb/Ea.	Swivel Radius	Ride Height	Part No. (Replace ** With Fastener Code)	
							Swivel	Rigid
2-1/2" (64 mm)	1-3/4" (44 mm)	Polyolefin	Oilless	400	2-3/8" (60 mm)	3-3/4" (83 mm)	6C5625-**-XDPO	6C5625R-**-XDPO
		Polyolefin	Roller	400			6C5625-**-XDP-RB-Z	6C5625R-**-XDP-RB-Z
3" (76 mm)	1-13/16" (46 mm)	Polyolefin	Oilless	500	2-7/8" (73 mm)	3-7/8" (98 mm)	6C5630-**-XDPO	6C5630R-**-XDPO
		Polyolefin	Roller	500			6C5630-**-XDP-RB-Z	6C5630R-**-XDP-RB-Z
		Polyolefin	P.Ball	500			6C5630-D4-XDPB-TG-SL	N/A
4" (102 mm)	2" (50 mm)	Polyolefin	Delrin	375	3-1/8" (79 mm)	5" (127 mm)	6C5640-**-XDP-DBD	6C5640R-**-XDP-DBD
		Polyolefin	Roller	375			6C5640-**-XDP	6C5640R-**-XDP
5" (127 mm)	2" (50 mm)	Polyolefin	Delrin	375	4" (102 mm)	6-3/16" (157 mm)	6C5650-**-XDP-DBD	6C5650R-**-XDP-DBD
		Polyolefin	Roller	375			6C5650-**-XDP	6C5650R-**-XDP
		Phenolic	Delrin	375			6C5650-**-PHN-DBD	6C5650R-**-PHN-DBD
		Phenolic	Roller	375			6C5650-**-PHN	6C5650R-**-PHN
		Poly-U/Poly-O (Blue/Black)	Delrin	375			6C5650-**-XLB-DBD	6C5650R-**-XLB-DBD
		Poly-U/Poly-O (Blue/Black)	Roller	375			6C5650-**-XLB	6C5650R-**-XLB
		Thermal Plastic Rubber	Delrin	375			6C5650-**-TPR-DBD	6C5650R-**-TPR-DBD
		Thermal Plastic Rubber	Roller	375			6C5650-**-TPR	6C5650R-**-TPR
6" (152 mm)	2" (50 mm)	Polyolefin	Plain	375	4-1/2" (114 mm)	7-3/8" (187 mm)	6C5660-**-HDP-PB	6C5660R-**-HDP-PB
		Polyolefin	Plain	375			6C5660-**-XDP-PB	6C5660R-**-XDP-PB
		Polyolefin	Oilite	375			6C5660-**-XDPO	6C5660R-**-XDPO
		Polyolefin	Delrin	375			6C5660-**-XDP-DBD	6C5660R-**-XDP-DBD
		Polyolefin	Roller	375			6C5660-**-XDP	6C5660R-**-XDP
		Phenolic	Delrin	375			6C5660-**-PHN-DBD	6C5660R-**-PHN-DBD
		Phenolic	Roller	375			6C5660-**-PHN	6C5660R-**-PHN
		Poly-U/Poly-O (Blue/Black)	Delrin	375			6C5660-**-XLB-DBD	6C5660R-**-XLB-DBD
		Poly-U/Poly-O (Blue/Black)	Roller	375			6C5660-**-XLB	6C5660R-**-XLB
		Thermal Plastic Rubber	Delrin	375			6C5660-**-TPR-DBD	6C5660R-**-TPR-DBD
		Thermal Plastic Rubber	Roller	375			6C5660-**-TPR	6C5660R-**-TPR
		Round Thermal Plastic Rubber	Delrin	375			6C5660-**-RTP-DBD	6C5660R-**-RTP-DBD
Round Thermal Plastic Rubber	Roller	375	6C5660-**-RTP	6C5660R-**-RTP				

Some models supplied with grease fittings for continued maintenance. (Z) prefix of part number



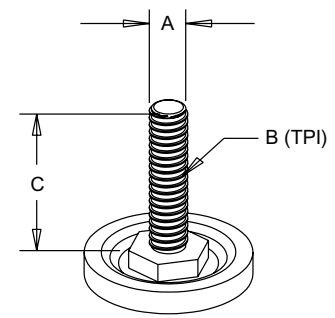
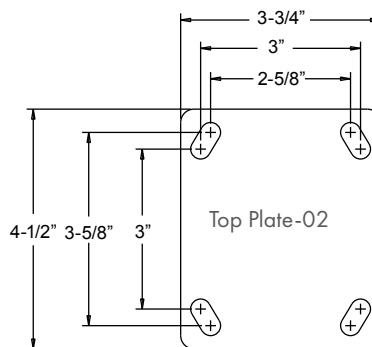
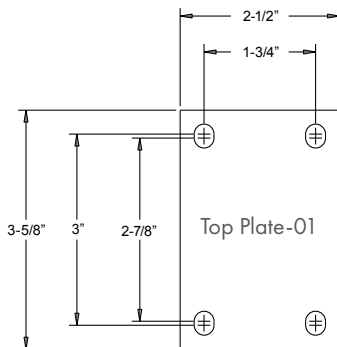


Top Lock Brake - TLB

When ordering, add brake abbreviation to end of caster part number.

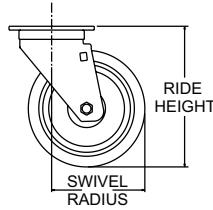
Fastener Type	Code	Overall Size	Bolt Hole Pattern	Attaching Bolt Size
Top Plate	01	2-1/2" x 3-5/8" (64 x 92 mm)	1-3/4" x 2-7/8" (44 x 73 mm) Slotted to 3" (76 mm)	5/16" (8 mm)
Top Plate	02	3-3/4" x 4-1/2" (95 x 114 mm)	2-5/8" x 3-5/8" (67 x 92 mm) Slotted to 3" x 3" (76 x 76 mm)	3/8" (10 mm)
		A-B x C		
Threaded Stem	21	1/2-13 x 1" (25 mm)		
	22	1/2-13 x 1-1/2" (38 mm)		
	24	5/8-11 x 1-3/4" (44 mm)		
	25	1/2-13 x 1-3/4" (44 mm)		
	34134	3/4-10 x 1-3/4" (44 mm)		

5600 Series Top Plates



Threaded Stem

6600 Series Heavy-Duty Casters



- Load capacity up to 900 lb per caster
- Case hardened double ball raceways provide extra capacity and durability
- Top plate and yoke material is 1/4" (6 mm) cold forged steel
- Corrosion-resistant zinc plated finish
- 5/8" (16 mm) nut and bolt kingpin, 2-1/2" (64 mm) fork spacing
- 1/2" (13 mm) zerk axle and lock nut on caster sizes 4" (102 mm) to 8" (203 mm); 5/8" (16 mm) axle on 3" (76 mm) casters
- Zerk fittings in swivel bearings and most wheel axles

Wheel Dia.	Wheel Width	Wheel Type	Bearing Type	Load Rating lb/Ea.	Swivel Radius	Ride Height	Part No. (Replace ** With Fastener Code)	
							Swivel	Rigid
3" (76 mm)	1-13/16" (46 mm)	Polyolefin	Plain	700	2-1/2" (64 mm)	4-3/4" (108 mm)	6C6630-**-XDP	6C6630R-**-XDP
		Polyolefin	Roller	700			6C6630-**-XDP-RB	6C6630R-**-XDP-RB
4" (102 mm)	2" (50 mm)	Polyolefin	Roller	700	3-9/16" (90 mm)	5-5/8" (143 mm)	6C6640-**-XDP	6C6640R-**-XDP
		Thermal Plastic Rubber	Roller	300			6C6640-**-TPR	6C6640R-**-TPR
		Phenolic	Roller	800			6C6640-**-PHN	6C6640R-**-PHN
		Poly-U/Poly-O (Blue/Black)	Roller	800			6C6640-**-XLB	6C6640R-**-XLB
		Round Thermal Plastic Rubber	Roller	300			6C6640-**-RTP	6C6640R-**-RTP
5" (127 mm)	2" (50 mm)	Polyolefin	Roller	900	4-3/4" (108 mm)	6-1/2" (165 mm)	6C6650-**-XDP	6C6650R-**-XDP
		Thermal Plastic Rubber	Roller	350			6C6650-**-TPR	6C6650R-**-TPR
		Phenolic	Roller	900			6C6650-**-PHN	6C6650R-**-PHN
		Poly-U/Poly-O (Blue/Black)	Roller	900			6C6650-**-XLB	6C6650R-**-XLB
		Round Thermal Plastic Rubber	Roller	350			6C6650-**-RTP	6C6650R-**-RTP
6" (152 mm)	2" (50 mm)	Polyolefin	Plain	700	4-1/2" (114 mm)	7-1/2" (190 mm)	6C6660-**-HDP-PB	6C6660R-**-HDP-PB
		Polyolefin	Oillite	900			6C6660-**-XDPO	6C6660R-**-XDPO
		Polyolefin	Plain	900			6C6660-**-XDP-PB	6C6660R-**-XDP-PB
		Polyolefin	Roller	900			6C6660-**-XDP	6C6660R-**-XDP
		Thermal Plastic Rubber	Roller	410			6C6660-**-TPR	6C6660R-**-TPR
		Phenolic	Roller	900			6C6660-**-PHN	6C6660R-**-PHN
		Poly-U/Poly-O (Blue/Black)	Roller	900			6C6660-**-XLB	6C6660R-**-XLB
		Round Thermal Plastic Rubber	Roller	410			6C6660-**-RTP	6C6660R-**-RTP
8" (203 mm)	2" (50 mm)	Poly-U/Poly-O (Gray)	Roller	900	6-1/2" (165 mm)	9-1/2" (241 mm)	6C6680-**-XLG	6C6680R-**-XLG
		Poly-U/Poly-O (Blue)	Roller	900			6C6680-**-XLB	6C6680R-**-XLB
		Polyolefin	Roller	900			6C6680-**-XDP	6C6680R-**-XDP
		Thermal Plastic Rubber	Roller	500			6C6680-**-TPR	6C6680R-**-TPR
		Phenolic	Roller	900			6C6680-**-PHN	6C6680R-**-PHN
		Round Thermal Plastic Rubber	Roller	500			6C6680-**-RTP	6C6680R-**-RTP



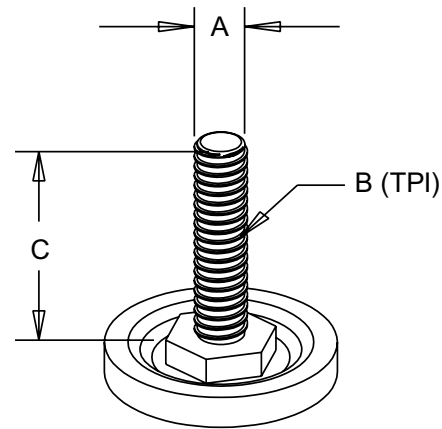
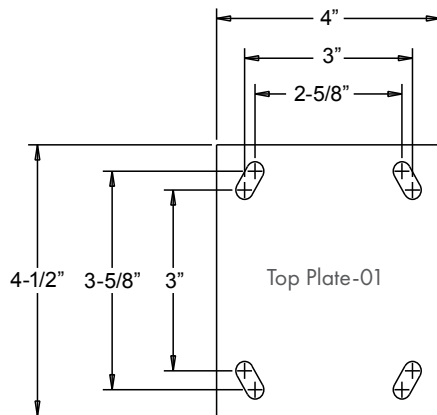


Top Lock Brake - TLB

When ordering, add brake abbreviation to end of caster part number.

Fastener Type	Code	Overall Size	Bolt Hole Pattern	Attaching Bolt Size
Top Plate	01	4" x 4-1/2" (102 x 114 mm)	2-5/8" x 3-5/8" (67 x 92 mm) Slotted to 3" x 3" (76 x 76 mm)	3/8" (10 mm)
		A-B x C		
Threaded Stem	21	3/4-10 x 1-31/32" (50 mm)		
	22	3/4-10 x 1-3/4" (44 mm)		
	24	5/8-11 x 1-3/4" (44 mm)		
	25	1/2-13 x 1-3/4" (44 mm)		

6600 Series Top Plates



Threaded Stem

Custom Casters



Don't see the caster configuration you need? Just ask us. Our specialty is providing caster solutions to meet your mobile foodservice equipment requirements.

Custom-Designed Casters

- Engineered for stability, strength and long-term dependability
- Wide variety of mountings include custom top plates and specialty stems
- Give us specifications for your moveable applications, such as mobile cabinets, deep-fryer units, food preparation tables, industrial assembly tables, material handling carts - wherever strong, dependable casters are needed

Select Caster Size and Type

- Mobile load capacities from 120 lb to 900 lb
- Large single-ball or full double-ball raceway construction
- Stainless steel, steel with chrome, nickel, zinc or your finish

Customize Wheels and Brakes

- Wide variety of caster wheels from basic rubber to durable polyolefin and smooth-riding, high traction urethane
- Wheel sizes from 2" (50 mm) to 8" (203 mm) diameter
- Tread width from 7/8" (22 mm) to 2" (50 mm)
- Available without brakes, with wheel only brakes, or with full wheel and swivel brakes
- Select from pedal wheel or top lock brake
- Options include plain or ball bearings, delrin bearings, zerk axles, and more

Ordering

To order, consult your Kason representative. *Minimum quantities apply.



Phenolic Wheels



- Made from macerated canvas mixed with phenolic resins, pressure molded and cooked to form a highly versatile wheel
- Excellent for applications demanding durability; capable of taking shock loads
- Offers floor protection; non-marking and non-conductive
- Resistant to oils, grease, gasoline and most commonly used chemicals
- Wheel is resistant to water, but not recommended for wet applications
- Durometer: 75 – 85 Shore D
- Temperature rating: -50 to 250°F (Use all-metal components for applications over 180°F)

Polyolefin Wheels



- High quality polyolefin material
- Economical, hard durometer wheel is excellent for applications demanding durability; capable of taking extreme shock loads
- Light weight, high capacity
- Offers floor protection; non-marking and non-conductive
- Resistant to water, oils, grease, gasoline and most commonly used chemicals
- Durometer: 60 – 70 Shore D
- Temperature rating: -45 to 180°F

Polyurethane on Polyolefin Wheels



- Precision molded high quality polyurethane is mechanically locked to a durable polyolefin core; provides a versatile, strong and attractive wheel
- Resistant to most chemicals, oils, grease, cleaning agents, solvents and water
- Offers floor protection; non marking and non-conductive
- Four color combinations available
- Plain bore option provides an economical alternative to ball bearings; same advantages as delrin bearings with added durability and less cost
- Great for use in sanitary and wet applications
- Provides sufficient rollability for most jobs
- Several small sizes come standard with a spanner bushing providing stability to the yoke
- Ball bearing option gives even greater rollability using less effort to push a load
- Durometer: 95 Shore A
- Temperature rating: -40 to 180°F

Thermal Plastic Rubber Wheels



- Precision-molded high quality Thermal Plastic Rubber is mechanically locked to a durable polyolefin core
- Provides a smooth, cushioned ride
- Offers floor protection; non-marking and non-conductive
- Resistant to most chemicals, oils, grease, cleaning agents, solvents and water
- Plain Bore Option – Economical alternative to ball bearings; same advantages as delrin bearings with added durability and less cost. Use in sanitary and wet applications. Offers easy rolling for most jobs. (A spanner bushing is standard on several small models to provide greater stability to the yoke)
- Ball Bearing Option – Greater rollability means less effort to push a load
- Durometer: 55 – 65 Shore A
- Temperature rating: -40 to 180°F, intermittent service

Round Tread Thermal Plastic Rubber Wheels



- Precision-molded high quality Thermal Plastic Rubber is mechanically locked to a durable polyolefin core
- Fully crowned wheel provides extra cushioning and swivel mobility for a smooth ride
- Versatile wheel can roll over small debris, power cords, door thresholds and other small obstructions; great for use in countless specialty applications
- Offers floor protection; non-marking and non-conductive
- Resistant to most chemicals, oils, grease, cleaning agents, solvents and water
- Durometer: 55 – 65 Shore A
- Temperature rating: -40 to 180°F, intermittent service

Soft and Hard Rubber Wheels



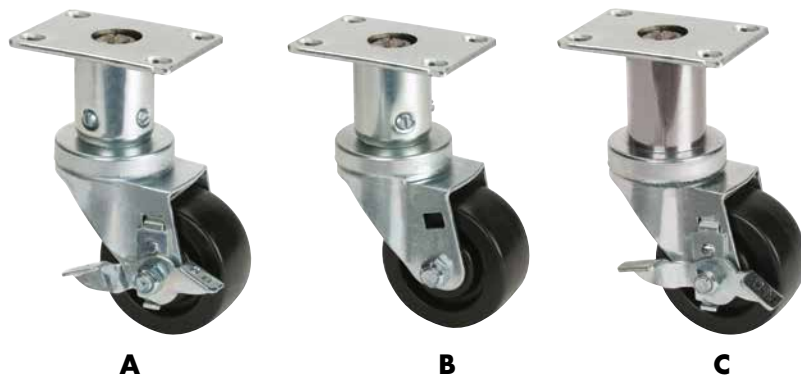
- Inexpensive, durable, industry mainstay
- Black wheel is standard. Non-marking gray available, please inquire
- Non-conductive
- Resistant to most chemicals, oils, grease, cleaning agents, solvents and water
- Temperature rating: -40 to 180°F, intermittent service

Soft Rubber

- Precision molded high quality soft rubber is molded to a hard rubber core
- Provides a smooth, cushioned ride
- Durometer: 70 – 80 Shore A

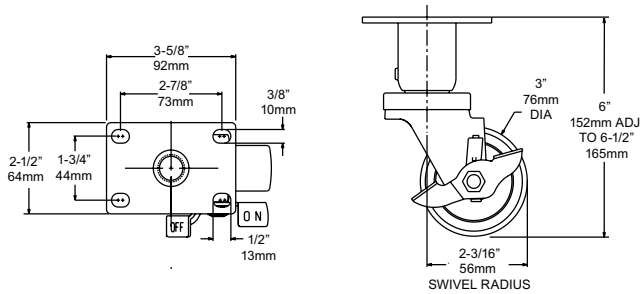
Hard Rubber

- Higher load capacity than soft rubber
- Easy rolling, requires minimal effort to start up and push a load
- Very durable and impact resistant
- Durometer: 75 Shore D



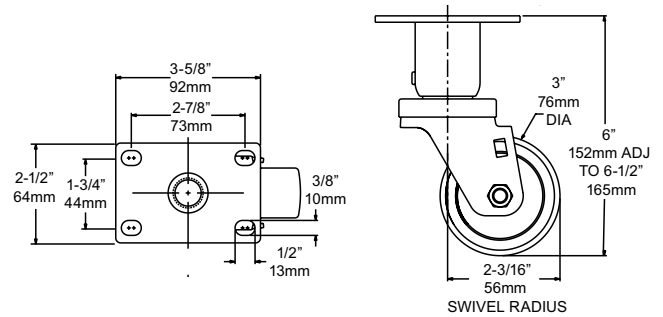
Standard caster legs are ideal for most general duty applications. Select fixed or adjustable height, with or without top lock brake.

A - 61752C065LNB Adjustable with Top Lock Brake



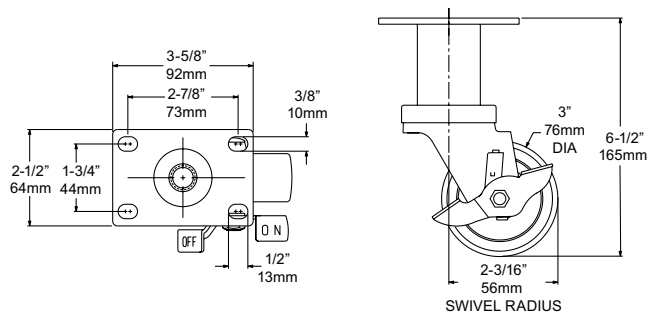
- Load rating 300 lb
- Height adjusts 1/2" (13 mm)
- Zinc plated steel construction
- Polyolefin 3" (76 mm) wheel

B - 61752C065LN Adjustable



- Load rating 300 lb
- Height adjusts 1/2" (13 mm)
- Zinc plated steel construction
- Polyolefin 3" (76 mm) wheel

C-61752C0626FM Non-Adjustable with Top Lock Brake



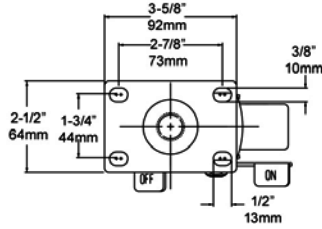
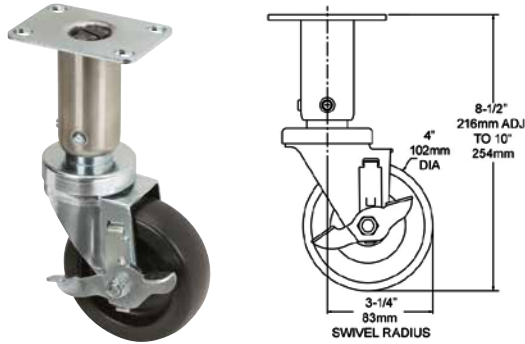
- Load rating 300 lb
- Zinc plated steel construction
- Polyolefin 3" (76 mm) wheel

©2022 Kason Industries, Inc.

1121 LIT 001

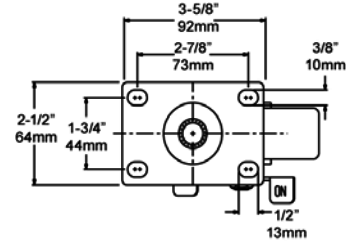
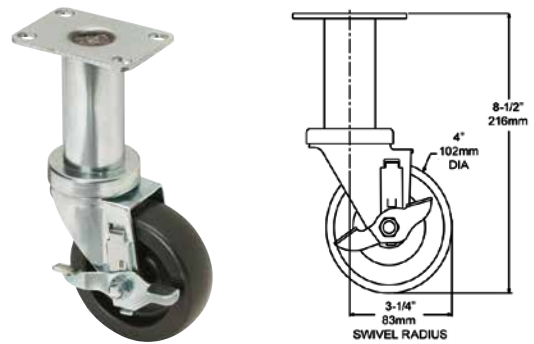


1752C-FMB 8-1/2" Adjustable with Top Lock Brake



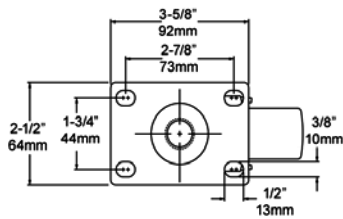
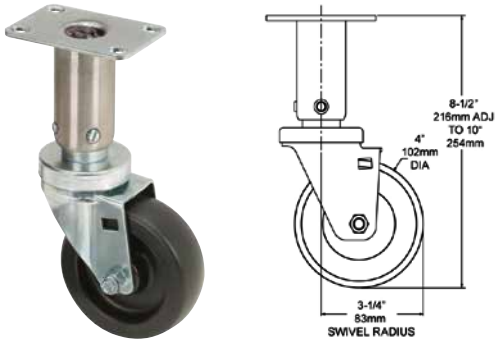
- Load rating 300 lb
- Height adjusts 1-1/2" (38 mm)
- Stainless steel leg with zinc plated steel yoke and top plate
- Polyolefin 4" (102 mm) wheel

1752C-FMB 8-1/2" Non-Adjustable with Top Lock Brake



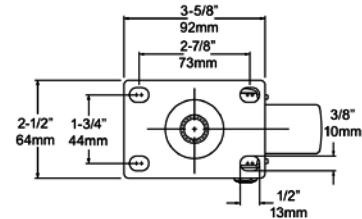
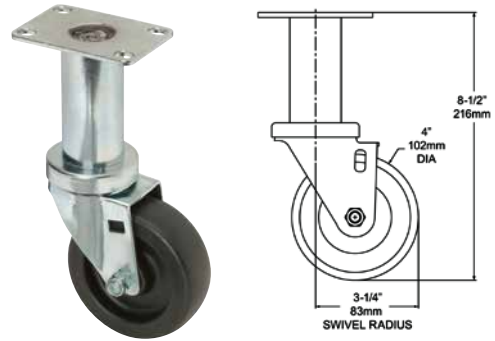
- Load rating 300 lb
- Height adjusts 1-1/2" (38 mm)
- Stainless steel leg with zinc plated steel yoke and top plate
- Polyolefin 4" (102 mm) wheel

1752C-FM 8-1/2" Adjustable



- Load rating 300 lb
- Height adjusts 1-1/2" (38 mm)
- Stainless steel leg with zinc plated steel yoke and top plate
- Polyolefin 4" (102 mm) wheel

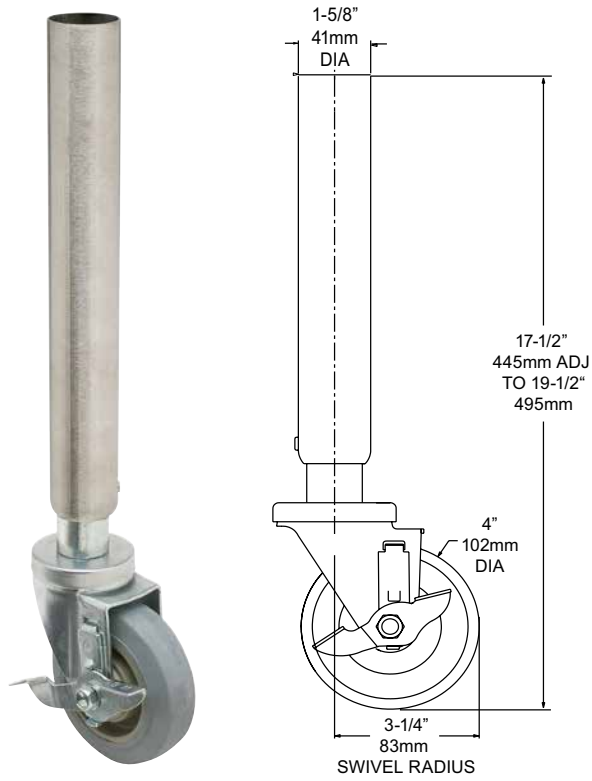
1752C-FM 8-1/2" Non-Adjustable



- Load rating 300 lb
- Zinc plated steel construction
- Polyolefin 4" (102 mm) wheel

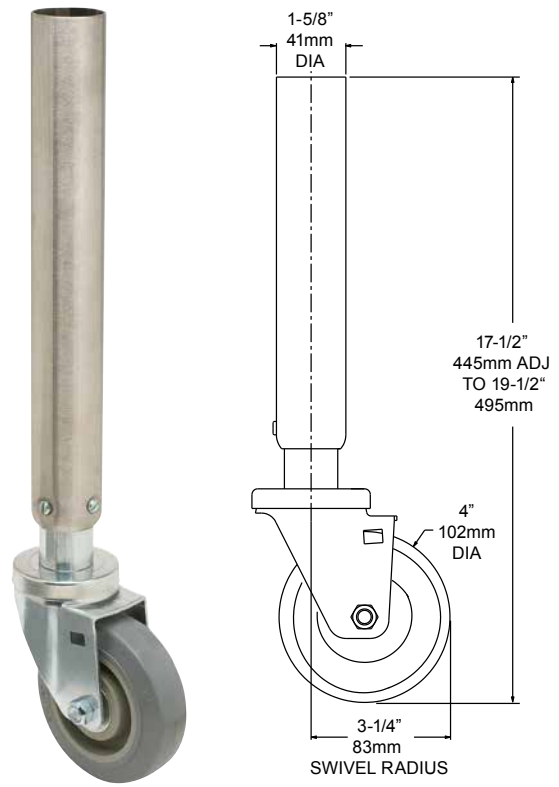


1752C-07S 8-1/2" Adjustable with Top Lock Brake



- Load rating 300 lb
- Height adjusts 2" (50 mm)
- Stainless steel leg with zinc plated steel yoke
- Gray polyurethane on polyolefin 4" (102 mm) wheel

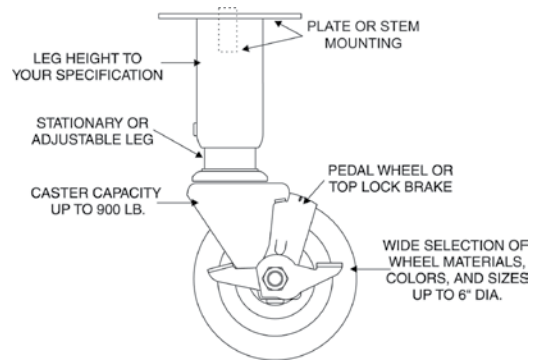
1752C-07 8-1/2" Adjustable



- Load rating 300 lb
- Height adjusts 2" (50 mm)
- Stainless steel leg with zinc plated steel yoke
- Gray polyurethane on polyolefin 4" (102 mm) wheel

Note: Custom casters legs available. See the following page and contact you Kason representative.

Custom Caster Legs



Feature Kason Engineered Mountings

- Caster leg mountings are designed to Kason's exacting safety specifications to assure stability, strength and long-term dependability
- Kason caster legs replace stationary legs with plate or stud mounting
- Mobile load capacities from 120 to 900 lb per caster leg
- Kason caster legs are ideal for all moveable applications, such as mobile cabinets, deep-fryer units, food preparation tables, industrial assembly tables, material handling carts - wherever strong, dependable caster legs are needed

Select Leg Size and application

- Fixed or adjustable height models
- Leg lengths cut to your specifications
- 1-5/8" (41 mm) or 2" (50 mm) O.D. stainless steel or zinc-plated steel tubing

Select Caster Size and Type

- Capacities from 120 to 900 lb per caster leg
- Large single-ball or full double raceway construction
- Stainless steel, steel with chrome, nickel, zinc or your finish
- Options include plain or ball bearings, delrin bearings, zerk axle, and more

Customize Wheels and Brakes

- Wide variety of caster wheels from durable polyolefin to smooth-riding, high traction urethane
- Wheel sizes from 2-1/2" (64 mm) to 6" (152 mm) diameter
- Tread width from 7/8" (22 mm) to 2" (50 mm)
- Available without brakes, with wheel only brakes, or with full wheel and swivel brakes
- Pedal wheel or top lock brake available

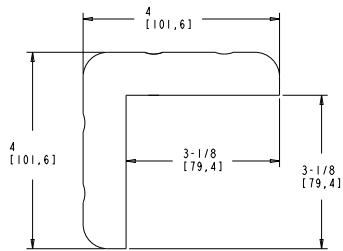
Promote Sanitation and Safety

- Supplied with slotted head locking set screws to meet NSF requirements
- Secure, non-removable adjuster is standard for safety

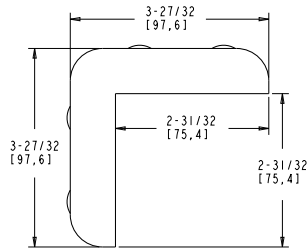
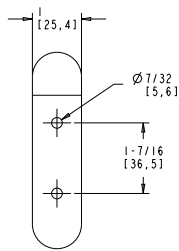
Assure Strength and Stability

- Fixed plate mounting is suggested, but other mounting styles are available
- Load capacity up to 900 lb per caster leg

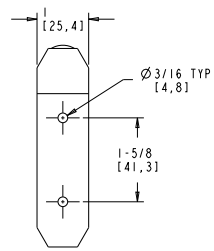
To order, consult your Kason representative.



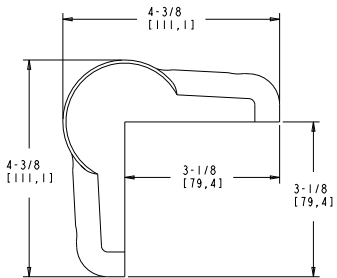
A/B



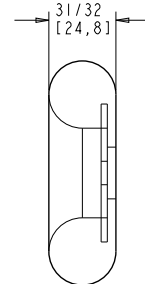
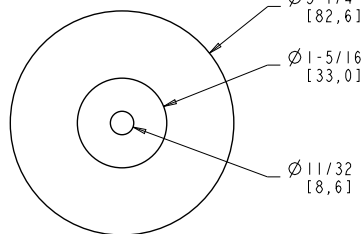
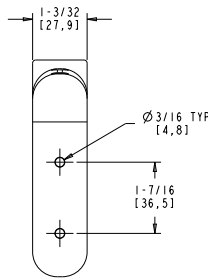
C



H



D/E



- Available in corner and donut design
- Comes in grey and black where listed
- Corner bumpers with rounded ends and corners

- Concealed mounting, secured with screws
- Donut bumper is steel reinforced and ideal for use on the ends of tubular handles

Ref.	Part No.	Description	Material	Color	Plugs Included
A	6B10000008	Corner Bumper with Round Ends	Polyurethane	Grey	No
B	6B10000009	Corner Bumper with Round Ends	Polyurethane	Black	No
C	6B10000012	Corner Bumper	Polyurethane	Grey	Yes
D	6B10000014	Corner Bumper with Rounded Edges and Corners	PVC	Grey	No
E	6B10000015	Corner Bumper with Rounded Edges and Corners	PVC	Black	No
F	6B100000100	Mounting Hole Plugs	PVC	Grey	-
G	6B100000101	Mounting Hole Plugs	PVC	Black	-
H	6B100000880	Donut Bumper	Polyurethane	Grey	N/A

©2022 Kason Industries, Inc.

1121 LIT 001



Order Form

To request a quotation, fill in a separate copy of this form for each different type of application. Fax to your Kason representative or to Kason Foodservice at 770.252.8397.

Caster Selection/Replacement Information

Provide as much information as possible about your new or replacement caster. We will recommend the appropriate Kason caster.

Name:		Phone:	
Company Name:		Fax:	
Address:		City:	
State:	Zip:	Email:	
Brand Name/Part Number of Current Caster, if known:			
Caster Application:			
Total Equipment Load Weight		Load per Caster:	
Wheel Diameter:	Tread Width:	Overall Height:	
Swivel or Rigid:	Swivel Radius:	Wheel Material:	
Bearing Type:			
Fastener Type & Dimensions (if top plate, include bolt hole patterns where pertinent):			
Other Options or Accessories (Example: Brakes, seals, special finishes etc.):			
Application Conditions Pertinent to Caster Use (Example: Floor conditions, adverse conditions etc.):			