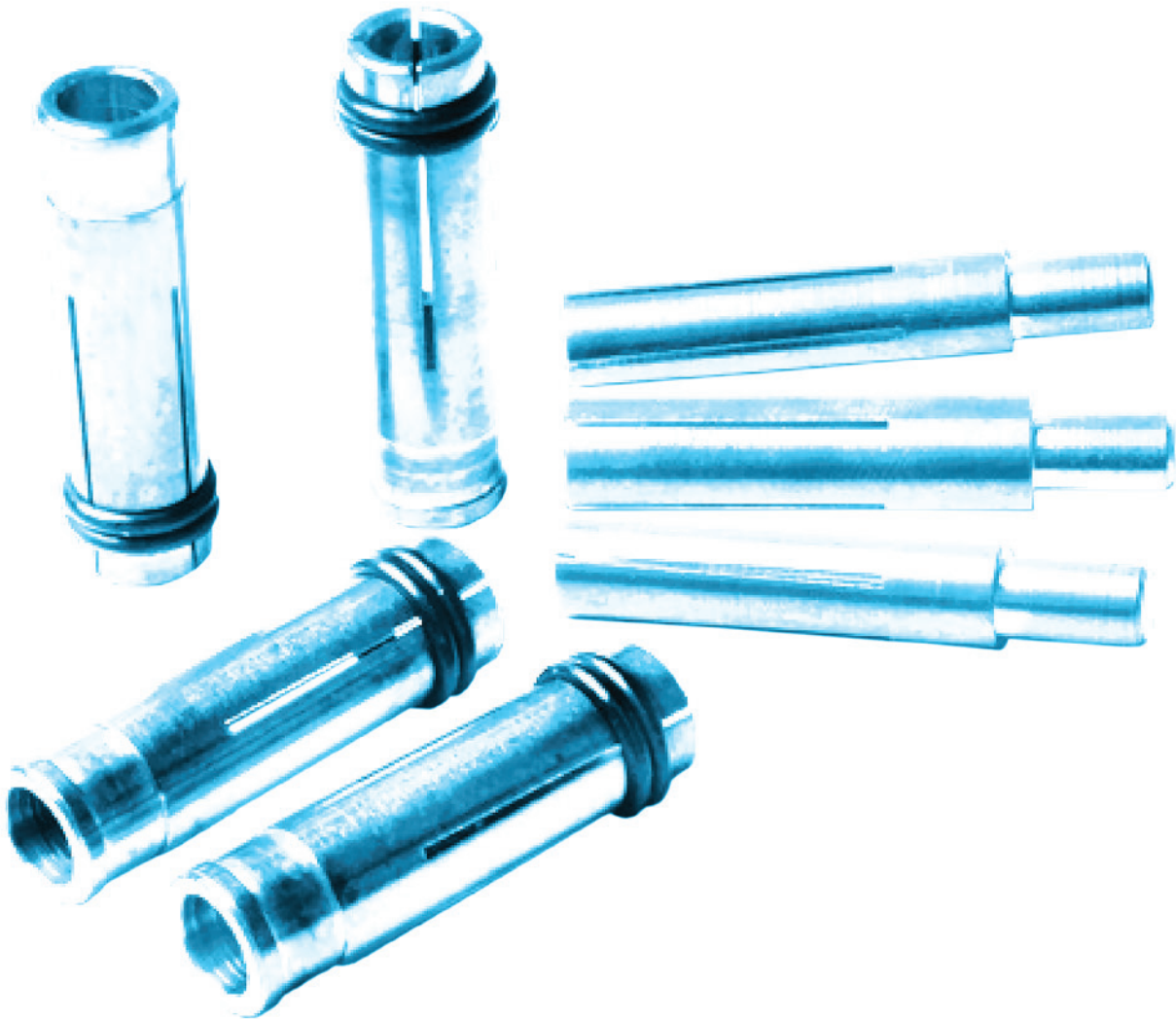




It's Better with Kason.

Fabrication Supplies

1.800.935.2766 | kasonind.com



The Kason Mission

To Protect your Product Integrity

Our customers go to great lengths to build top-of-the-line coolers, freezers, foodservice equipment, industrial enclosures and delivery vans. Our goal is to preserve your product integrity by providing the highest quality door hardware and accessories for both original equipment and replacement applications.

End users need to protect products and processes, and lower operating costs. Their first line of defense is stable, airtight enclosures with doors that open with ease and close securely.

Since 1926, Kason has promised and delivered just that. Kason's extensive lines of walk-in and reach-in door hardware satisfy the most demanding requirements. Demonstrate the value of your products with the most innovative, dependable and longlasting hardware in the business.

Research and Testing

Every Kason product must fulfill our customers' requirements. Before we develop a new product, we research the needs of both our industry and end users. We are never satisfied with the status quo. Our dedicated research and development staff continually search for pioneering design concepts. They insist on engineering integrity, extensive product testing and precise, in-line quality control. That is how we have developed such successful and trustworthy products as SafeGuard® inside releasing safety latches, Pacesetter handles and hinges, stainless steel hinges and latches and truck door handles with removable cylinder locks.

Creative Concepts

Leading equipment manufacturers turn to Kason when they want a unique look of their own. We will adapt a stock product, design custom hardware or partner with your design engineers to develop a signature appearance just for your products. Building special and customized hardware is routine at Kason.

Quality

Kason production facilities boast state-of-the-art installations, featuring fully automated die-casting, polishing and electroplating, as well as a full range of electronically controlled and robotic machinery. We require the finest raw materials, accurate machine tolerances and the highest level of Finishing. Skilled, experienced people maintain the Kason tradition of production excellence. Our unremitting commitment to superior manufacturing assures you consistently high quality products at the lowest possible cost. Quality assurance is integrated into every step of Kason operations to from engineering research and development through packaging and shipping.

Service

The lifeline to all your foodservice needs is our efficient and friendly Customer Service Department. A representative can quickly track product availability or the status of your order with our computerized inventory and order control system. Count on dependable global delivery as we serve you from Kason distribution centers in the continental United States and Canada as well as through authorized distributors throughout the world.

Our Promise

Satisfying your needs is our top priority. That is why Kason supplies you with hardware and accessories that reflect the same quality you demand in your own products. We strive to demonstrate an attitude that makes you want to do business with us. At Kason we offer a tradition of excellence, a philosophy of innovation and the most trusted name in specialty commercial hardware.

Contacts

USA Sales & Distribution Centers

1.800.93KASON (800.935.2766)

Kason Industries, Inc.

Global Headquarters

57 Amlajack Boulevard | Newnan, GA 30265-1015, USA
800.935.3550 | FAX: 770.251.4854
Info@kasonind.com

Kason Foodservice Division

31 Amlajack Boulevard | Newnan, GA 30265-1015, USA
866.231.2157 | FAX: 770.252.8397
FoodService@kasonind.com

Kason International Division

57 Amlajack Boulevard | Newnan, GA 30265-1015, USA
770.304.3000 | FAX: 770.251.4854
International@kasonind.com

Kason Vinyl Division

31 Amlajack Boulevard | Newnan, GA 30265-1015, USA
800.472.7450 | FAX: 770.252.8397
Vinyl@kasonind.com

Kason Canada Branch

226 Industrial Pkwy North, Unit 2 | Aurora, Ontario, L4G 4C3, Canada
905.713.6515 | FAX: 905.713.6518
Canada@kasonind.com

Kason Central Branch

8889 Whitney Drive | Lewis Center, OH 43035-7106, USA
740.549.2100 | FAX: 740.549.0701
Central@kasonind.com

Kason Mid-America Branch

1239 Atlantic Avenue | Kansas City, MO 64116-4141, USA
816.472.7450 | FAX: 816.472.8580
MidAmerica@kasonind.com

Kason Western Branch

1500 East Wooley Road, Suite E
Oxnard, CA 93030-7385, USA
805.247.1088 | FAX: 805.247.1164
Western@kasonind.com

Catalog Icons



Walk-In



Casters & Caster Legs



Vinyl



Plumbing



Sliding Doors



Cabinet & Cafeteria



Lighting & Electrical



Canopy Hood



Reach-In



Fabrication Supplies



Equipment Legs



Truck Body

3700 Series Rubbaseal™ Silicone Sealant 397

3701 Series Butyl Sealant 398

7201 Sait Specialty Coated Fiber Discs 395

7201 Sand-Light™ Abrasive Hand Pads 395

7202 Series Deburring Tools and Accessories 400

7203 Series Indelible Ink Pencils 399

7203 Series Layout Markers 399

7204 Series Fiberglass Tape 393

7205 Insulation Hanger 390

7206 Series Drill Bits 400

7208 Series Taps 400

7502 Capacitor Discharge Stud Welder 392

7502 Series Hex Locknuts, Blind Rivets, and Cap Nuts 394

7502 Series Weld Nuts 394

7502 Series Weld Studs 390

7511 Sound Deadening Pad 396

7512 Series Brake Film 396

7513 Tacky Tape 396

Tungsten Electrodes 391

Weld Cleaner Brush 393

Welder Cleaning Machine 393

Welding Collets 391

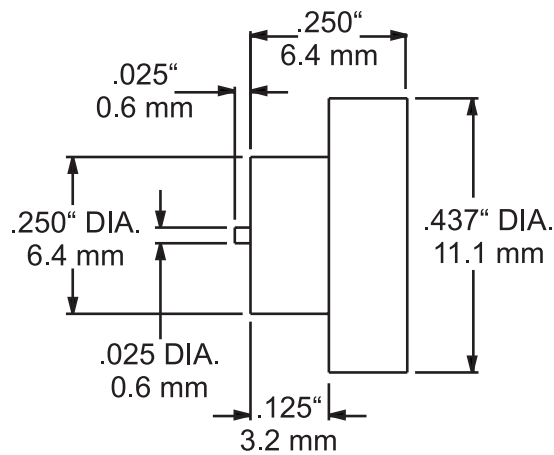


1022 LIT 001 ©2024 Kason Industries, Inc.

7502 Series Weld Studs



7502-301 Keyhole Stud



- Stainless Steel CD
- Copper Flashed Steel CD
- Stainless Steel Threadless
- Stainless Steel Keyhole

Copperhead Flashed Steel - CD Type

| Part No. | Size | Length |
|-------------|--------|------------------|
| 67502000101 | 10-24 | 3/8" (9.5 mm) |
| 67502000102 | 10-24 | 1/2" (12.7 mm) |
| 67502000103 | 10-24 | 5/8" (15.9 mm) |
| 67502000104 | 10-24 | 3/4" (19.1 mm) |
| 67502000105 | 10-24 | 1" (25.4 mm) |
| 67502000106 | 10-24 | 1-1/2" (38.1 mm) |
| 67502000107 | 1/4-20 | 3/8" (9.5 mm) |
| 67502000108 | 1/4-20 | 1/2" (12.7 mm) |
| 67502000109 | 1/4-20 | 3/4" (19.1 mm) |
| 67502000110 | 1/4-20 | 1" (25.4 mm) |

Stainless Steel - CD Type

| Part No. | Size | Length | Qty./Carton |
|-------------|--------|----------------|-------------|
| 67502000401 | 10-24 | 3/8" (9.5 mm) | 1000 |
| 67502000402 | 10-24 | 1/2" (12.7 mm) | 1000 |
| 67502000403 | 10-24 | 5/8" (15.9 mm) | 1000 |
| 67502000404 | 10-24 | 3/4" (19.1 mm) | 1000 |
| 67502000405 | 10-24 | 1" (25.4 mm) | 1000 |
| 67502000406 | 1/4-20 | 3/8" (9.5 mm) | 1000 |
| 67502000407 | 1/4-20 | 1/2" (12.7 mm) | 1000 |
| 67502000408 | 1/4-20 | 3/4" (19.1 mm) | 1000 |
| 67502000409 | 1/4-20 | 1" (25.4 mm) | 1000 |

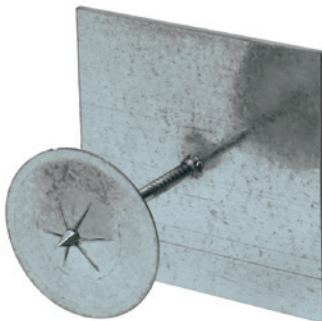
18/8 Stainless Steel/Threadless

| Part No. | Diameter | Length | Qty./Carton |
|-------------|----------------|----------------|-------------|
| 67502000201 | 1/4" (6.4 mm) | 1/2" (12.7 mm) | 1000 |
| 67502000202 | 3/16" (4.8 mm) | 1/2" (12.7 mm) | 1000 |

Stainless Steel Keyhole Stud

| Part No. | Dimensions |
|-------------|-------------|
| 67502000301 | See Drawing |

7205 Insulation Hanger



- Adhesive-backed hanger holds firmly to walls and duct work
- Secures insulation material

| Part No. | Description |
|-------------|-------------------|
| 67205000104 | 1-5/8" (41.3 mm) |
| 67205000125 | 1-1/4" (31.75 mm) |



- The "B" Collet is a popular and very common style of stud welding accessory
- Made for use with capacitor discharge studwelders, the collet acts as a weld stud "holder" and transfers stud welding energy from the stud gun to the weld stud
- Collets are perishable and should be replaced when signs of stud arcing or wear occur
- Available at all Kason locations
- Easy to add to your stocking orders

| Part No. | Type | Used With |
|-------------|---------------------|-------------------|
| 67207001837 | Collet Insert | #10 x 3/8" |
| 67207002550 | Collet Insert | 1/4" x 1/2" |
| 67207001800 | B-Type Collet | 10-24 |
| 67207002500 | B-Type Collet | 1/4-20 |
| 67207004300 | B-Type Collet | 7/16" Keyhole |
| 67207000100 | Universal B Stop | Any B-Type Collet |
| 67207000180 | Collet Soyer | #10 |
| 67207001850 | Collet Insert | #10 x 1/2" |
| 67207005018 | Standard Adj Collet | 10-24 |
| 67207005025 | Standard Adj Collet | 1/4-20 |

Additional Sizes Available Upon Request

Tungsten Electrodes



Non-filler metal electrode used in arc welding or cutting.

| Part No. | Description |
|-------------|------------------------------------|
| 67209000100 | Tungsten Electrode 1/16" D 10 Pack |
| 67209000101 | Tungsten Electrode 3/32" D 10 Pack |
| 67209000102 | Tungsten Electrode 1/8" D 10 Pack |

7502 Capacitor Discharge Stud Welder



- Digital DC voltage read out on all models (allows for more accurate and repeatable weld settings)
- Cooling fan in all models for increased efficiency
- Dial down DC voltage setting (no need to turn off the unit when resetting to a lower voltage)
- Only 10 amp circuit requirement (15 amp circuit breaker for power surge protection)
- 33,000 microfarad capacitors charging to 200 VDC for greater power output at lower DC voltage requirements
- Terminal connections on capacitors are over 5/8" diameter for good seat of the terminal buss bars to increase reliability
- The terminal connections on the capacitors have 1/4-28 socket set screws inserted in each one. The socket set screw is used to make connections to the buss bars. This eliminates damaging the threads in the aluminum connectors of the capacitor assuring a solid contact connection
- Rigid internal construction connecting the entire internal unit to the front and rear panels minimizes the opportunity of the components coming loose during handling and operations
- Sheet metal is powder coated for greater durability, texture, and appearance
- CD stud guns are ergonomically designed for better hand fit and comfort (reduces operator fatigue for increased weld repeatability)
- CD stud guns can be configured for "B" collets, CI collets, Euro collets, or standard tapered chucks
- The CD units weigh less than other available models
- High-frequency RF line filters
- Made in the USA

Specifications

Size

15-3/4" length, 8" width, 9" height

Weight

24 lb

Weld Range

14 ga through 1/4" diameter

Duty Cycle

30 studs per minute (including 1/4")

Primary Power

110 VAC @ 50/60 Hz, 10 amp circuit

220 VAC @ 50/60 Hz, 5 amp circuit

Charge Voltage

35-200 VDC

Cable Length

Includes a #4 x 25' gun cable and 2 pieces #4 x 15' ground cables

| Part No. | Description |
|-------------|---------------------------|
| 67502000001 | Cap Discharge Stud Welder |



- Ergonomic-insulated wand is designed to prevent user fatigue
- One operator per unit
- Multiple electrode designs help match your applications
- Heavier and longer cables improve durability and efficiency
- Wand design helps prevent chemicals from running down the wand
- Doesn't alter surface finish
- Dramatically reduces finishing time and costs
- 110 V power for portability to any jobsite
- Circuit and thermal protection
- Dual wand model available as special order

| Part No. | Description | Qty./Carton |
|-------------|-------------------------------|-------------|
| 67502000010 | Weld Cleaning Machine | 1 |
| 67502000011 | Electrode Sleeves | 1 |
| 67502000012 | Weld Cleaning Solution, 1 Gal | 5 |

7204 Series Fiberglass Tape



- For use with weld burn removal machine
- Composed of twisted strands of fiberglass woven at right angles to one another
- Resistant to high temperatures. Ideal for wrapping electrical cable
- Flexibility lends itself to molding to the shape of what it is covering or securing
- Woven edges prevent unraveling

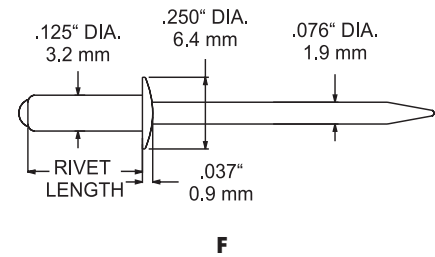
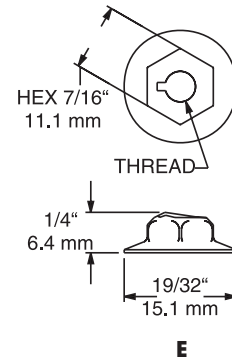
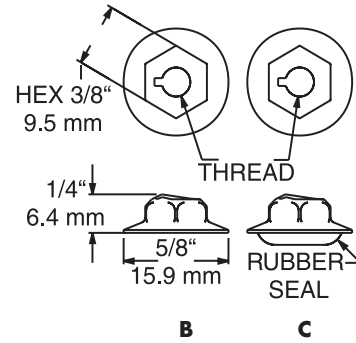
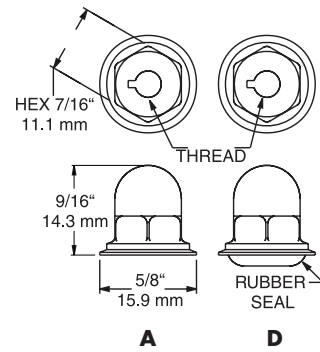
| Part No. | Description | Qty./Carton |
|------------|---|-------------|
| 6720400004 | Fiberglass Tape, 2-1/2" Wide, 50' Long Roll | 1 |

Weld Cleaner Brush



| Part No. | Description |
|-------------|---|
| 67502000013 | 2" Weld Cleaner Brush (2 pack) |
| 67502000014 | 2-3/4" Weld Cleaner Long Brush (2 pack) |

7502 Series Hex Locknuts, Blind Rivets, and Cap Nuts



7502 Series Combination Fasteners Hex Locknuts

| Ref. | Part No. | Size | Description |
|------|-------------|--------|-----------------------------------|
| A | 67502000501 | 10-24 | Domed, Zinc Plated |
| | 67502000502 | 10-24 | Domed, Nickel Plated |
| B | 67502000503 | 10-24 | Zinc Plated |
| C | 67502000504 | 10-24 | Zinc Plated, Rubber Seal |
| D | 67502000505 | 10-24 | Domed, Nickel Plated, Rubber Seal |
| E | 67502000506 | 1/4-20 | Zinc Plated |

7502 Series Stainless Steel Blind Rivets 0.125" Diameter

| Ref. | Part No. | Grip Range | Rivet Length | Qty./Carton |
|------|-------------|-----------------|------------------|-------------|
| F | 67502000601 | 0.062" x 0.125" | 0.275" (7.0 mm) | 1000 |
| | 67502000602 | 0.126" x 0.187" | 0.337" (8.6 mm) | 1000 |
| | 67502000603 | 0.188" x 0.250" | 0.400" (10.2 mm) | 1000 |
| | 67502000604 | 0.251" x 0.312" | 0.462" (11.7 mm) | 1000 |
| | 67502000605 | 0.315" x 0.375" | 0.525" (13.3 mm) | 1000 |
| | 67502000606 | 0.376" x 0.500" | 0.600" (15.2 mm) | 1000 |

300 series stainless steel rivets and mandrels with bright, passivated finish

7502 Series Stainless Steel Cap Nuts

| Part No. | Size | Qty./Carton |
|-------------|--------|-------------|
| 67502000701 | 10-24 | 1000 |
| 67502000702 | 1/4-20 | 1000 |

7502 Series Weld Nuts



Tab base with offset hole

| Part No. | Description |
|-------------|---------------------|
| 67502001160 | 8-32 Weld Nuts SS |
| 67502001190 | 10-24 Weld Nuts SS |
| 67502001250 | 1/4-20 Weld Nuts SS |

*Other sizes available through special order. Minimum quantities may apply.



- Cooling agent reduces heat build up and loading
- Vulcanized fiber backing for heavy-duty sanding
- Resin-over-resin construction provides strong, heat-resistant and moisture-resistant bond

Specifications

Materials

Red Aluminum Oxide Discs: Ferrous metals

Blue Zirconium Discs: Stainless steel, high tensile steel, titanium, aluminum

Sait Red Aluminum Oxide Sanding Discs

| Grit | 5" Diameter | | 7" Diameter | |
|------|-------------|----------|-------------|----------|
| | Part No. | Part No. | Part No. | Part No. |
| 36 | 67201002536 | | 67201002736 | |
| 50 | 67201002550 | | 67201002750 | |
| 60 | 67201002560 | | 67201002760 | |
| 80 | 67201002580 | | 67201002780 | |
| 100 | 67201002510 | | 67201002710 | |
| 120 | 67201002512 | | 67201002712 | |

Sait Blue Zirconium Sanding Discs

| Grit | 5" Diameter | | 7" Diameter | |
|------|-------------|----------|-------------|----------|
| | Part No. | Part No. | Part No. | Part No. |
| 36 | 67201001536 | | N/A | |
| 50 | 67201001550 | | 67201001750 | |
| 60 | 67201001560 | | 67201001760 | |
| 80 | 67201001580 | | 67201001780 | |



- Non-woven, synthetic fiber impregnated with abrasive grain
- Conditions surfaces without damage to or removal of base material
- Resists loading and heat build-up
- Wet or dry applications
- Reusable and long-lasting for economical use

Specifications

Materials

Black: Blending and finishing, paint removal for stainless steel, ferrous and non-ferrous metals

Gray: Ultra-fine for non-ferrous metals, painted wood

Maroon: General purpose for ferrous and non-ferrous metals

Brown: Heavy-duty for ferrous and non-ferrous metals

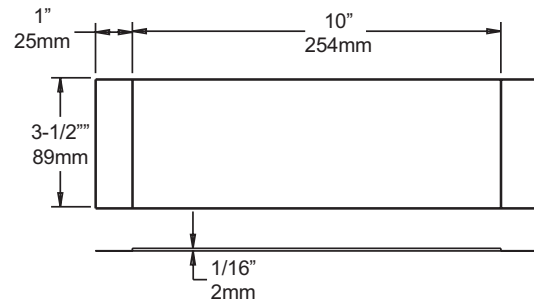
Green: General cleaning, stripping paint and varnish for ferrous and non-ferrous metals

Size

6" x 9" (150 x 225 mm)

| Part No. | Grade | Color | Qty./Carton |
|-------------|-----------------|--------|-------------|
| 67201000101 | Stainless Steel | Black | 20 |
| 67201000102 | Ultra-fine | Gray | 20 |
| 67201000103 | General Purpose | Maroon | 20 |
| 67201000104 | Heavy-duty | Brown | 20 |
| 67201000105 | Stripper | Green | 20 |

7511 Sound Deadening Pad



- Self-adhering pad is constructed of energy-absorbing mastic and constraining 0.01" flexible aluminum
- The combination of mastic with the aluminum top layer provides maximum sound dampening in sheet metal applications
- Extension and compression of the mastic damping material converts vibratory energy into heat, thus reducing the noise level of the dampened substrate
- The aluminum top layer maximizes this effect by redirecting any escaping vibratory energy back into the mastic layer

| Part No. | Description |
|-------------|-------------------------------|
| 67511000001 | Self-adhesive Pad, Case of 10 |

7512 Series Brake Film



- Use between press brake die and formed piece to eliminate brake marks and additional polishing
- Protects expensive dies and decreases production costs
- Film supplied in 100 ft long rolls

| Part No. | Thickness | Width |
|----------------|-----------|-------|
| 67512000004 | 0.022" | 4" |
| 67512000006 | 0.022" | 6" |
| 67512000004015 | 0.015" | 4" |
| 67512000006015 | 0.015" | 6" |

7513 Tacky Tape



- For sound deadening applications under steel work tops
- Designed to seal and prevent the entry of dust, air, moisture
- Assures a weather tight seal on roof curbs, roof jacks, skylights, polyethylene sheeting, air conditioning equipment, window and door flanges
- Non-staining
- Resistant to ultraviolet and infrared radiations
- Size is 3/4" wide, 3/32" thick
- Supplied in 45 ft long rolls with an easy peel backing

| Part No. | Description |
|-------------|------------------------------|
| 67513000004 | Tacky Tape, Case of 24 Rolls |



- For Hi-temp and Lo-temp foodservice uses
- Premium grade, fully certified silicone adhesive sealant outperforms cheap hardware store brands
- Waterproof adhesive bonds better than generic sealants; won't peel; reduces service call-backs for leaks
- Air-cures overnight; tack-free in 15 minutes
- Standard and high temperature formulas
- Meets Federal and NSF standards for foodservice use

Easy-to-Use

- Will not sag during vertical, horizontal or overhead application
- 10 oz. one-piece plastic tube (non-removable tip)
- 3 oz. tube is ideal for small jobs and tight spaces. Special order with MOQ requirements
- Fits standard caulk guns

Temperature Range

- Standard formula is serviceable from -80°F to 400°F (-62°C to 204°C)
- High temperature formula is heat resistant to 500°F (260°C)

| Part No. | Tube Size | Color | Max. Temp. (°F) | Qty./Carton | Wgt./Carton |
|-------------|------------------|---------------|-----------------|-------------|---------------|
| 63700000001 | 10.1 oz (299 ml) | Clear | 400 | 12 | 10 lb (5 kg) |
| 63700000002 | 10.1 oz (299 ml) | White | 400 | 12 | 10 lb (5 kg) |
| 63700000003 | 10.1 oz (299 ml) | Aluminum | 400 | 12 | 10 lb (5 kg) |
| 63700000004 | 10.1 oz (299 ml) | Black | 400 | 12 | 10 lb (5 kg) |
| 63700000005 | 10.1 oz (299 ml) | Red (Hi-Temp) | 500 | 12 | 10 lb (5 kg) |
| 63700000031 | 3 oz (89 ml) | Clear | 400 | 36 | 9 lb (1.5 kg) |
| 63700000032 | 3 oz (89 ml) | White | 400 | 36 | 9 lb (1.5 kg) |
| 63700000033 | 3 oz (89 ml) | Aluminum | 400 | 36 | 9 lb (1.5 kg) |
| 63700000035 | 3 oz (89 ml) | Red (Hi-Temp) | 500 | 36 | 9 lb (1.5 kg) |

NSF listed STD 051 for Food Zone Use. All Foods. Authorized by USDA for use in Federally inspected meat and poultry plants. When cured and washed, sealant meets requirement of FDA regulation No. 21 CFR 177.2600. Meets the following: U.S. FED.TTS-00230C, TTS-001543A, ASTM C920-79 and Canadian CGSB-19-GP-9MA Type 1. UL Recognized, File No. E175317.

©2024 Kason Industries, Inc.

1022 LIT 001



3701 Series Butyl Sealant



- For Hi-temp and Lo-temp foodservice uses
- Premium grade butyl based sealant is permanently flexible and non-skinning
- Moisture resistant, non-skinning and paintable
- Permanently elastic even when exposed to -60°F to 200°F temperatures
- Made in America
- Has a 50-year durability guarantee

Applications

- Walk-in Coolers and Freezers
- Acoustical Applications
- Industrial Applications
- Metal Insulated Panels
- Pipe Insulation
- Standing Seam Roof Panels

Temperature Ranges

- Standard formula is serviceable from -60°F to 200°F (-51°C to 93°C)
- Application temperature ranges from 10°F to 120°F (-12°C to 49°C)

Weatherability

No cracking, bleeding, or loss of rubbery characteristics

| Part No. | Tube Size | Color | Max. Temp. (°F) | Qty./Carton | Wgt./Carton |
|-------------|------------------|-------|-----------------|-------------|--------------|
| 63701000004 | 10.3 oz (304 ml) | Gray | 200 | 30 | 10 lb (5 kg) |
| 63701000005 | 10.3 oz (304 ml) | White | 200 | 12 | 10 lb (5 kg) |





- Available in red and blue with a durable fine point tip that will produce bold, detailed lines
- Using these to mark your stainless steel products will leave you with bright, colorful permanent markings that are water-proof, smear proof, and fade-resistant
- These markers can be used to mark up just about any surface whether you need them in your factory or your office

| Part No. | Description | Qty./ Carton | Wgt./ Carton |
|-------------|---------------------------------|--------------|--------------|
| 67203000101 | Blue Layout Pen, Extra Fine Tip | 12 | >1 lb |
| 67203000102 | Red Layout Pen, Extra Fine Tip | 12 | >1 lb |

7203 Series Indelible Ink Pencils



- The permanent markings from this pencil can never be completely erased
- They are ideal to use when marking your stainless steel products in your factory

| Part No. | Description | Qty./ Carton | Wgt./ Carton |
|-------------|----------------------------------|--------------|--------------|
| 67203000001 | Black, Soft Lead Layout Pencil | 12 | >1 lb |
| 67203000002 | Black, Hard Lead Marking Pencils | 12 | >1 lb |
| 67203000011 | Red Marking Pencil | 12 | >1 lb |

7202 Series Deburring Tools and Accessories



- Hand deburring tools offer fast, efficient, and economic solutions for burr removal
- Machine deburring tools can not always be used with parts, and are not economical
- Burrs away unwanted portions of metal which remain on the edges of components after machining
- Filing is time consuming and unreliable for consistently smooth edges

| Part No. | Description | Qty./Carton | Wgt./Carton |
|-------------|---------------------------------------|-------------|-------------|
| 67202000100 | Deburring Tool | 1 | 2 lb |
| 67202000001 | Rollers for Deburring Tool, Pack of 2 | 10 | >1 lb |

7208 Series Taps



- Used to thread holes for screws
- Can be used to clean up threads
- Other sizes and types available upon request

| Part No. | Description |
|-------------|----------------------------|
| 67208000632 | Tap Plug 6-32 Tin Coated |
| 67208000832 | Tap Plug 8-32 Tin Coated |
| 67208001024 | Tap Plug 10-24 Tin Coated |
| 67208001420 | Tap Plug 1/4-20 Tin Coated |

7206 Series Drill Bits



- High quality drill bits last longer-create more value than regular drill bits
- Efficient drilling in stainless steel and other materials means less replacement
- Great chip point, stub length
- Easy to add to your current stocking order
- Available from all Kason locations

| Part No. | Type | Diameter |
|--------------|-----------|----------|
| 67206000093 | Drill Bit | 3/32" |
| 67206000109 | Drill Bit | 7/64" |
| 67206000116 | Drill Bit | #32 |
| 67206000125 | Drill Bit | 1/8" |
| 67206000128 | Drill Bit | #30 |
| 67206000136 | Drill Bit | #29 |
| 67206000140 | Drill Bit | #28 |
| 67206000141 | Drill Bit | 9/64" |
| 67206000156 | Drill Bit | 5/32" |
| 67206000159 | Drill Bit | #21 |
| 67206000161 | Drill Bit | #20 |
| 67206000187 | Drill Bit | 3/16" |
| 67206000194 | Drill Bit | #10 |
| 67206000201 | Drill Bit | #7 |
| 67206000203 | Drill Bit | 13/64" |
| 67206000219 | Drill Bit | 7/32" |
| 67206000250 | Drill Bit | 1/4" |
| 67206000312 | Drill Bit | 5/16" |
| 67206000344 | Drill Bit | 11/32" |
| 67206000375 | Drill Bit | 3/8" |
| 67206000500 | Drill Bit | 1/2" |
| 67206000500A | Drill Bit | 1/2" |
| 672060001125 | Drill Bit | 1/8" |
| 672060001194 | Drill Bit | #10 |
| 672060001250 | Drill Bit | 1/4" |