

1096M Adjustable Door Closer

Part Number: 11096M00004

FEATURES

- Provides additional closing assistance for large or hard to close doors
- Torque adjusting feature allows incremental adjustment using a 5/8" wrench
- Torque arm pivots on a central shaft with nylon bushings to provide smooth, quiet transmission of torque
- Torque limiting clutch protects against over torquing the torsion spring
- Product accommodates left or right hand door installation
- Door closer designed to work with cam rise or fixed pivot hinges
- Roller strike capture wireform retains power arm for safe operation
- Aluminum body construction provides improved corrosion resistance

MATERIALS

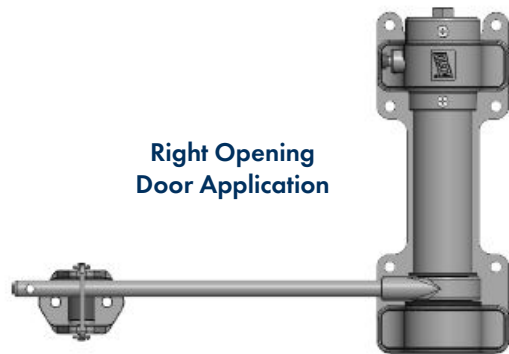
- Clutch: Aluminum Bronze Alloy
- Indexing Pin: Aluminum Bronze Alloy
- Mounting Plate: Aluminum
- Housing: Aluminum
- Springs: Music Wire, Zinc Plate
- Bottom Housing: Aluminum
- Tube: Aluminum
- Roller: Nylon
- Roller Guide: Aluminum
- Hardware: Stainless Steel

DESIGN CRITERIA

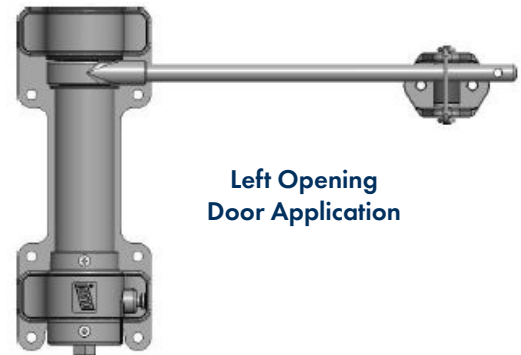
- Cycle tested to 250,000 cycles
- Roller Guide accepts 1/4" (6.0 mm) Fasteners
- Door Closer accepts 1/4" (6.0 mm) Fasteners
- Temp range: -40°F to 150°F (-40°C to 65°C)
- Max Force by arm: 11 lb
- Max Torque: 132 in-lb



U.S. Patent No. D-869,128;
10,280,669; 10,711,498



**Right Opening
Door Application**



**Left Opening
Door Application**



For operator safety, Model No. 1096M Door Closer should be mounted as low as possible on door.

This is a high tension device. Improper use can lead to injury. Tension adjustment maximum wind up of 8 notches.

Part No.	Description	Wgt./ Carton
11096M00004	Adjustable Door Closer	4.12 lb (1.86 kg)



1096M Adjustable Door Closer

Part Number: 11096M00004



1096L

1096M

1097

General Purpose	Overcoming the dwell position of walk-in doors with cam rise or spring hinges, so door will not stand open and always self closes, or door closing momentum for small reach-in doors and gates	Door closing momentum for small, medium and large walk-in doors	Door closing momentum for large and very heavy doors only
Door Size	Up to 3' (w) x 8' (h) walk-in doors, or gates and reach-in doors of smaller size	Approx. Range (width x height): 3' x 7' up to 6' x 10'	Approx. Range (width x height): 5' x 7' up to 8' x 10'
Offset Limits	Flush to 1-1/8"	Flush to 2"	Flush to 1-5/8"
Door Weight	10 to 75 lb	50 to 250 lb	200 to 400 lb
Max Torque	35 in-lb	132 in-lb	348 in-lb
Max Force by Arm	7 lb	11 lb	18 lb

Note: Visit kasonind.com to find information on all Kason door closers.

