



It's Better with Kason.

Walk-In Catalog

1.800.935.2766 | kasonind.com



The Kason Mission

To Protect your Product Integrity

Our customers go to great lengths to build top-of-the-line coolers, freezers, foodservice equipment, industrial enclosures and delivery vans. Our goal is to preserve your product integrity by providing the highest quality door hardware and accessories for both original equipment and replacement applications.

End users need to protect products and processes, and lower operating costs. Their first line of defense is stable, airtight enclosures with doors that open with ease and close securely.

Since 1926, Kason has promised and delivered just that. Kason's extensive lines of walk-in and reach-in door hardware satisfy the most demanding requirements. Demonstrate the value of your products with the most innovative, dependable and longlasting hardware in the business.

Research and Testing

Every Kason product must fulfill our customers' requirements. Before we develop a new product, we research the needs of both our industry and end users. We are never satisfied with the status quo. Our dedicated research and development staff continually search for pioneering design concepts. They insist on engineering integrity, extensive product testing and precise, in-line quality control. That is how we have developed such successful and trustworthy products as SafeGuard® inside releasing safety latches, Pacesetter handles and hinges, stainless steel hinges and latches and truck door handles with removable cylinder locks.

Creative Concepts

Leading equipment manufacturers turn to Kason when they want a unique look of their own. We will adapt a stock product, design custom hardware or partner with your design engineers to develop a signature appearance just for your products. Building special and customized hardware is routine at Kason.

Quality

Kason production facilities boast state-of-the-art installations, featuring fully automated die-casting, polishing and electroplating, as well as a full range of electronically controlled and robotic machinery. We require the finest raw materials, accurate machine tolerances and the highest level of Finishing. Skilled, experienced people maintain the Kason tradition of production excellence. Our unremitting commitment to superior manufacturing assures you consistently high quality products at the lowest possible cost. Quality assurance is integrated into every step of Kason operations to from engineering research and development through packaging and shipping.

Service

The lifeline to all your foodservice needs is our efficient and friendly Customer Service Department. A representative can quickly track product availability or the status of your order with our computerized inventory and order control system. Count on dependable global delivery as we serve you from Kason distribution centers in the continental United States and Canada as well as through authorized distributors throughout the world.

Our Promise

Satisfying your needs is our top priority. That is why Kason supplies you with hardware and accessories that reflect the same quality you demand in your own products. We strive to demonstrate an attitude that makes you want to do business with us. At Kason we offer a tradition of excellence, a philosophy of innovation and the most trusted name in specialty commercial hardware.

Kason Contacts

USA Sales & Distribution Centers

1.800.93KASON (800.935.2766)

Kason Industries, Inc.

Global Headquarters

57 Amlajack Boulevard | Newnan, GA 30265-1015, USA
800.935.3550 | FAX: 771/41.4854
Info@kasonind.com

Kason Foodservice Division

31 Amlajack Boulevard | Newnan, GA 30265-1015, USA
866.231.2157 | FAX: 771/42.8397
FoodService@kasonind.com

Kason International Division

57 Amlajack Boulevard | Newnan, GA 30265-1015, USA
770.304.3000 | FAX: 771/41.4854
International@kasonind.com

Kason Vinyl Division

31 Amlajack Boulevard | Newnan, GA 30265-1015, USA
800.472.7450 | FAX: 771/42.8397
Vinyl@kasonind.com

Kason Canada Branch

226 Industrial Pkwy North, Unit 2 | Aurora, Ontario, L4G 4C3, Canada
905.713.6515 | FAX: 905.713.6518
Canada@kasonind.com

Kason Central Branch

8889 Whitney Drive | Lewis Center, OH 43035-7106, USA
741/249.2100 | FAX: 741/249.0701
Central@kasonind.com

Kason Mid-America Branch

1239 Atlantic Avenue | Kansas City, MO 64116-4141, USA
816.472.7450 | FAX: 816.472.8580
MidAmerica@kasonind.com

Kason Western Branch

1500 East Wooley Road, Suite E
Oxnard, CA 93030-7385, USA
805.247.1088 | FAX: 805.247.1164
Western@kasonind.com

Catalog Icons

 WI	Walk-In	 CL	Casters & Caster Legs
 VI	Vinyl	 PL	Plumbing
 SD	Sliding Doors	 C&C	Cabinet & Cafeteria
 L&E	Lighting & Electrical	 CH	Canopy Hood
 RI	Reach-In	 FAB	Fabrication Supplies
 EL	Equipment Legs	 TB	Truck Body

0027C Quarter Turn Inside Release for Offsets.....	55	0486 Wide Recessed Handle.....	46
0027C SafeGuard® Deadbolt Locking Handle.....	54	0487 Frost-Free Inside Release	45
0027NL Handle	55	0488L Panic Bar Inside Release and Latch Assembly (UL 305 Certified)	19
0028 SafeGuard® Performer™ Locking Handle.....	56	0488 Series Walk-In Push Bar Inside Release	18
0036-485 Padlocking Hasp with Quarter Turn Inside Release	21	0489 Narrow Recessed Handle.....	47
0036 Padlocking Hasp with Inside Release.....	21	0778 Stainless Steel SafeGuard® Latch	33
0045 Padlocking Latch	35	0779 Stainless Steel Spring Roller Strike.....	31
0046 Padlocking Latch.....	36	0944 Locking Deadbolt Latch	20
0049 Dutch Latch	39	0948C Cylinder Locking Inside Release System	22
0050 Cylinder Locking Brass Latch	35	0998 Super Freezer Hinge.....	87
0051 Cylinder Locking Latch.....	36	1037 Forged Brass Hinges	59
0052 Iron Padlocking Latch.....	40	1055 Heavy-Duty Hinge.....	60
0053 Iron Padlocking Latch	41	1073 Heavy-Duty Hinge	61
0055 Inside Release Latch.....	48	1074 Steel Strap Hinge.....	62
0055 SafeGuard® Latch	34	1075 Heavy-Duty Steel Strap Hinge	62
0056 SafeGuard® Latch	25	1076 Extra Heavy-Duty Steel Strap Hinge	62
0056 Series Ordering Information	26	1092 Hydraulic Door Closer.....	89
0057E SecureGuard™ Latch with Electronic Flush Strike.....	16	1093 Hydraulic Door Closer.....	89
0057 SecureGuard™ e-Lock High Security Latch (Indoor Use Only).....	14	1094 Concealed Mounting.....	90
0057 SecureGuard™ e-Lock Plus High Security Latch (Indoor/Outdoor)	15	1094 Exposed Mounting.....	90
0057 SecureGuard™ Locking Latch with Keyed or Keyless Inside Release	13	1094S Dual-Speed Closer	90
0058E SafeGuard® Security Latch with Electronic Flush Strike	24	1094 SureClose™ Hydraulic Door Closer	90
0058 SafeGuard® Radial Latch	23	1094 Wide Hook.....	91
0059 Roller Strike.....	23	1095 Spring Action Door Closer	92
0077 SafeGuard® Rolling Radial Latch with Strike	29	1096L Adjustable Door Closer.....	93
0078 SafeGuard® Radial Latch.....	30	1096M-6 Adjustable Door Closer	94
0078S SafeGuard® Latch	32	1096M Adjustable Door Closer	93
0094 Super Freezer Hinge.....	87	1097 Spring Action Door Closer	95
100WG Sweeper Gasket.....	118	1098 Spring Door Closer	96
0188 Two-Point Latch	42	1214 Heavy-Duty Iron Strap Hinges	63
0188X/0189X Explosion Venting Latch.....	44	1228 SafeGuard® Performer™ Locking Handle	56
0189 Release Handle.....	42	1229 SafeGuard® Handle Series.....	50
0189 Two-Point Latch	42	1229S SafeGuard® Handle Series.....	51
0199 Inside Latch.....	43	1230 Walk-In Door Foot Treadle	17
0199 Two-Point Latch	43	1236 SafeGuard® Heavy-Duty Lever Locking Handle	49
0480 Collapsible Handle.....	47	1238/1239 SafeGuard® Pacesetter Locking Handles.....	52
0481 Safety-Glow Inside Release	45	1240 Aluminum Hinge	64
0481 SC Stainless Steel Inside Release	33	1241 Heavy-Duty Double Knuckle Hinge	65
0481 Stainless Steel Safety-Glow Inside Release	45	1243 Reversible Oblique Hinge.....	66
0482 Hi-Temp Inside Release	45	1245 Reversible Cam-Rise Hinges.....	67
0483 Paddle Handle Inside Release	48	1246 Reversible Cam-Rise Hinges.....	68
0485 Quarter Turn Low Conduction Inside Release	53	1248 Spring Assisted Hinges.....	69
0486 Bumper Guard	46	1249 Spring Assisted Hinges.....	70
		1251 Heavy-Duty Double Knuckle Hinge	71
		1253 Oblique Cam-Rise Hinge.....	72

1255 Pacesetter Hinges	74	Panelock™ 1168RBP Locking Point.....	106
1256 Pacesetter Hinges	75	Panelock™ 1168RP Strike	107
1275 Heavy-Duty Cam-Rise Strap Hinge.....	76	Panelock™ 1168RT Tunnel Locking Point	106
1276 Heavy-Duty Cam-Rise Strap Hinge	76	Panelock™ 1169L Adapter.....	117
1277 Series Heavy-Duty Hinges.....	78	Panelock™ 1169P Strike.....	107
1278(S) High-Rise Hinge	77	Panelock™ 1169S Adapter	117
1341 Stainless Steel Double Knuckle Hinge.....	81	Panelock™ 1172/1174 Panel Fasteners	113
1345 Performer™ Adjustable Hinge	86	Panelock™ 1173 Compact Locking Point.....	109
1346 Performer™ Adjustable Hinge	82	Panelock™ 1173 Strike	109
1346S Stainless Steel Adjustable Hinge.....	84	Panelock™ 1178RP Wide Mouth Strike.....	107
1377L/1377S Stainless Steel Self-Closing Hinges	80	Panelock™ 1178S Adapter	117
1398 Heavy-Duty Edgemount Cam Rise Hinge	88	Panelock™ 1188L Adapter.....	117
1409 Iron Strap Hinge	63	Panelock™ 1188RBP Locking Point.....	108
1825LE Intelli-Vent® Pressure Relief Port	97	Panelock™ 1188RP Wide Mouth Strike	108
1826 Intelli-Vent® Modular, LED Heated Pressure Relief Port.....	98	Panelock™ 1188RT Tunnel Locking Point.....	108
1827 Intelli-Vent® Telescoping Heated Pressure Relief Port.....	99	Panelock™ 1188S Adapter	117
1830 Small/1832 Large Spring Valve Heated Pressure Relief Port.....	100	Panelock™ 1189P Wide Mouth Strike.....	108
1832DBL Low-Temperature Heated Pressure Relief Port (-20°F and Below)	103	Panelock™ 1190 Locking Point	109
1834 Small Spring Valve Unheated Pressure Relief Ports	101	Panelock™ 1190 Strike	109
1836 Large Spring Valve Unheated Pressure Relief Ports	101	Panelock™ Slab Foam Panel Fasteners.....	114
1847 Intelli-Vent® High-Flow Pressure Relief Port	104	Rigid Rail Panel Fasteners.....	110
4545 Two-Point Cylinder Locking Latch	37	Snap-in Finish Caps.....	116
4646 Two-Point Padlocking	38	Special Foamed-In-Place Fasteners	108
5050 Two-Point Cylinder Locking Latch.....	37	Steel Strap Hinges	62
5151 Two-Point Cylinder Locking Latch.....	38	Unbreakable Panel Fastener Strikes.....	112
5656 Two-Point Locking Latch	25		
5688 SafeGuard® Two-Point Latch with 0488 Vertical Push Bar Inside Release	27		
Adapters for Foamed-In-Place Fasteners.....	117		
Foamed-in-Place Foolproof Panel Fasteners	105		
Foamed-In-Place Panel Fasteners.....	106		
Foamed-In-Place Panel Fasteners.....	113		
Kason Hinge Selector.....	58		
Panelock™ 1138 Finish Cap.....	116		
Panelock™ 1145 Hex Wrench	116		
Panelock™ 1147 Finish Cap.....	116		
Panelock™ 1151 Plastic Block Fastener	115		
Panelock™ 1152 Plastic Block Fastener.....	115		
Panelock™ 1153A Barbed Locking Point.....	111		
Panelock™ 1153B Barbed Locking Point	111		
Panelock™ 1154 Barbed Strike.....	112		
Panelock™ 1155 Strike	112		
Panelock™ 1156A Locking Point.....	111		
Panelock™ 1156B Locking Point.....	111		
Panelock™ 1156 Strike Pins.....	112		
Panelock™ 1164-10 Tunnel Cap	106		

Keyed Latch



Exterior

Interior

Cooler/Freezer Latching System Keeps Valuable Stock Safe

- Keyed and keyless heavy-duty inside release latching system
- Locks automatically when door is closed
- Can be locked open for easier access during high-traffic times
- Retrofits easily on most walk-in doors
- Offers freeze-resistant internal components
- Uses quality high-security brass pin-type lock cylinder
- Available in rim cylinder and removable core cylinder lock models

Inside Release with Quick Release Lock Bypass Knob

- Bypass Knob offers a quick, key-free lock override for easier access during high-traffic times
- No time spent looking for a key
- No possibility of a lost key or breaking it off in the lock

Specifications

Material

Anodized aluminum mounting plates and aluminum latch cover, die-cast Zamak latch tongue, die-cast Zamak outside pull handle with polished chrome finish, stainless steel inside push handle and strike, nonconductive plastic couplings.

Mounting

Mounts with 3 bolts on 4" thick door, 30" wide or greater, latch and handle through-bolt with hidden hardware

Option

SFIC Interchangeable core lock cylinders available, includes 7-pin core, accepts 6 or 7-pin core

Temperature Range (0057-04/08)

Outside Rating: -30°F to 150°F

Freezer/Cooler Rating: -30°F to 150°F

Keyless Inside Release with Quick Release Lock Bypass Knob (Locked)



Keyless Inside Release with Quick Release Lock Bypass Knob (Unlocked)



0057-04 Standard Rim-Cylinder Locking System

- Complete system with pre-assembled cylinder lock
- Supplied with stainless steel strike for factory installation
- Cylinder locks are keyed differently with random numbers

0057-08 Removable Core Locking System

- Complete system with removable figure-eight cylinder core allows fast, secure re-keying with any SFIC 6 or 7-pin core
- Supplied with stainless steel strike for factory installation
- Cylinder locks are keyed alike; core change key included

0057-17 Through-Bolt Retrofit Strike

- Stainless steel strike through-bolts with concealed bolt holes for simple, secure installation
- Enables No. 0057 latch to replace most standard walk-in latches without additional panel reinforcement. Plate covers unused screw holes
- Use with No. 0057-04 or No. 0057-08 locking system flush door or door with offset up to 1-1/4" (31.6mm)

0057-22 Removable Core Cylinder Kit

- Allows for user conversion from standard cylinder to removable core cylinder
- For latch installation on doors thicker than 4"

Part No.	Description	Qty./Carton	Wgt./Carton
10057000004	Locking System with High Security Lock, Offset Flush	1	12 lb (5.4 kg)
10057000008	Locking System with Removable Core Lock, Offset Flush	1	12 lb (5.4 kg)
10057000017	Through-Bolt Strike, Offset Flush to 1-1/4" (31.6 mm)	1	2 lb (0.9 kg)
10057000022	Removable Core Cylinder Kit	1	1 lb (0.45 kg)
10057K00004	Security Latch with Rim Cylinder Misc Key/ QR Knob	1	12 lb (5.4 kg)
10057K00008	Security Latch with SFIC 7-pin Rem Core Cylinder/ QR Knob	1	12 lb (5.4 kg)
10057000026	Thick Door Extension Kit (5", 5-1/2", or 6")	1	1 lb (0.45 kg)
9005700242	Replacement Kit for 0057-04 Cylinder Kit	1	0.36 lb (0.16 kg)
9005700275	Replacement Removable Core Cylinder Key #B1	1	0.6 lb (0.27 kg)
90057000028P	Security Screw Retrofit Kit	1	0.28 lb (0.13 kg)

0057 SecureGuard™ e-Lock High Security Latch (Indoor Use Only)



The Kason 0057 e-Lock Latch is a high-security, battery-operated digital keypad door lock that provides owners great flexibility in protecting valuable assets and products.

- Self-locking
- Heavy-duty construction
- Program up to 20 unique codes
 - (1) Supervisor code
 - (19) User codes
 - (4-8) Digit code lengths
- 75,000 cycles on (2) AAA batteries
 - Low battery indicator
- No wiring required
- Field retro-fit kit available
- Easy to clean and maintain
- Two security lock bypass options available
- **IMPORTANT:** Indoor use only

Part No.	Description
10057000017	Through-bolt Strike, Offset Flush to 1-1/4" (31.6 mm)
10057000022	Removable Core Cylinder Kit
10057000026	Thick Door Extension Kit
10057000298	Inside Push Bar and Strike
10057000306	High Security e-Lock Latch, LH
10057000307	High Security e-Lock Latch, RH
10057K00306	High Security e-Lock Latch, LH, QR Knob
10057K00307	High Security e-Lock Latch, RH, QR Knob

Specifications

Material

Aluminum mounting plates, stainless steel latch cover, die-cast Zamak latch tongue, die-cast Zamak outside pull handle with polished chrome finish, stainless steel inside push handle and strike, die-cast zinc powder coated e-Lock body, non-conductive plastic coupling

Mounting

(3) bolts on 4" thick door (minimum 30" wide door), latch and handle through-bolt with tamper-resistant hardware

Power

(2) AAA batteries (included)

Temperature Range

Ambient Rating: 50°F to 80°F

Freezer/Cooler Rating: -30°F to 80°F

Key Operated Lock Bypass (Locked)



Quick Release Lock Bypass Knob (Locked)



Quick Release Lock Bypass Knob (Unlocked)





Specifications

Material

Anodized aluminum mounting plates and stainless steel latch cover, die-cast Zamak latch tongue, chrome plated zinc keypad housing, stainless steel inside push handle and strike

Mounting

(3) bolts on 4" thick door (minimum 30" wide door), latch and handle through-bolt with tamper-resistant hardware

Power

Built-in super capacitors, no battery or external power required, self-charges with each handle turn

Temperature Range

Outside Rating: -30°F to 150°F

Freezer/Cooler Rating: -30°F to 150°F

Key Operated Lock Bypass (Locked)



Quick Release Lock Bypass Knob (Locked)



Quick Release Lock Bypass Knob (Unlocked)



The Kason 0057 e-Lock PLUS Latch is a high-security, self charging digital keypad door lock that provides owners exceptional flexibility in protecting valuable assets.

- Heavy-duty construction
- Self-locking
- Program up to (100) unique user codes
 - (1) Supervisor code
 - (99) User codes
 - (4-8) Digit code lengths
- Stores 1,000 lock/unlock events
- Left or right hand hinge installation
- No wiring required
- Easy to clean and maintain
- Two security lock bypass options available

Part No.	Description
10057000314	High Security e-Lock PLUS Latch, LH
10057000315	High Security e-Lock PLUS Latch, RH
10057K00314	High Security e-Lock PLUS Latch, LH, Quick Release Knob
10057K00315	High Security e-Lock PLUS Latch, RH, Quick Release Knob

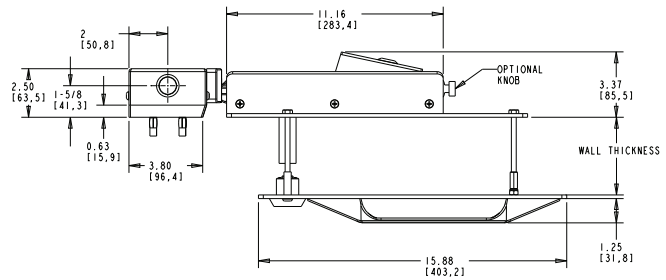
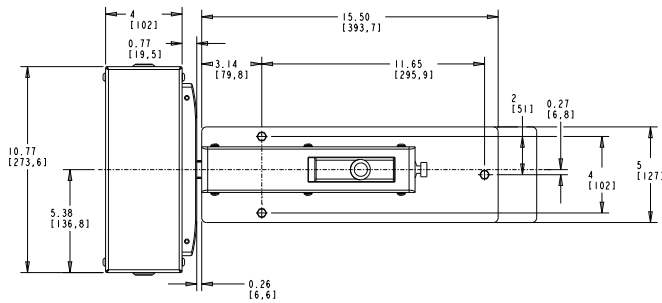
0057E SecureGuard™ Latch with Electronic Flush Strike



Interior View



Exterior View



- Kason SecureGuard latch with inside release always assures easy exit
- Durable, low-maintenance stainless steel hardware and powder coated steel construction
- Utilizes high-security industry standard UL Certified electronic strike latch
- Strike located inside room for increased tamper resistance
- Strike can be set to fail secure during a power outage, a mechanical key override is included to open door in such an event if access is required
- Accepts card readers intended for standard junction box mounting
- Electric strike can be set to either Fail Safe or Fail Secure
- Physical key override allows entry with power off and fail secure setting

Specifications

Material

Base Plate: Steel
 Top Cover: Optional 300 series stainless steel or powder coated steel
 Strike Spacer: Gray ABS
 Latch Insert: Gray ABS
 Mounting Plates: Anodized aluminum
 Latch Body Cover: Stainless Steel
 Latch Tongue: Zamak #3
 Pull Handle: Zamak #3, polished chrome plated
 Push Handle: Stainless steel
 Couplings: Plastic
 Hardware: Stainless steel
 Electric Strike Assa Abloy 9600: Stainless steel
 Card Reader† HID: See table for model number

Electrical

Required Power for Card Reader:
 65 mA @ 16 VDC, 5-16 VDC operating voltage
 Electric Strike Power Required:
 0.45/0.25 A @ 12/24 VDC at continuous duty

Mounting Hardware

Designed for (4) 1/4" dia. fasteners and 1/4 strike hardware (included)

Temperature Range

-20°F to 120°F (-29°C to 49°C)

Part No.	Description	Wgt./ Carton
10057E00008	Latch with Electronic Strike, SFIC 7-pin Removeable Core Cylinder	16.4 lb (7.4 kg)
10057EK0008	Latch with Electronic Strike, SFIC 7-pin Removeable Core Cylinder, Quick Release Knob	16.6 lb (7.5 kg)
90057E00250	E-strike Assembly	6.5 lb (2.9 kg)
90058E00220†	HID Card Reader 920NTNNEK0, Model R40E	0.54 lb (0.24 kg)

† Sold separately



- Sanitary hands-free option
- Simplifies walk-in entry when hands are full
- Designed for high-traffic pull handle doors only
- Non-skid pedal surface
- Aluminum construction
- Durable 304 stainless steel pivot pin and nylon bushing for smooth operation
- Retrofit kit available
- Designed for 1/4" diameter flathead fasteners
- Flush mount, right and left hand door installation

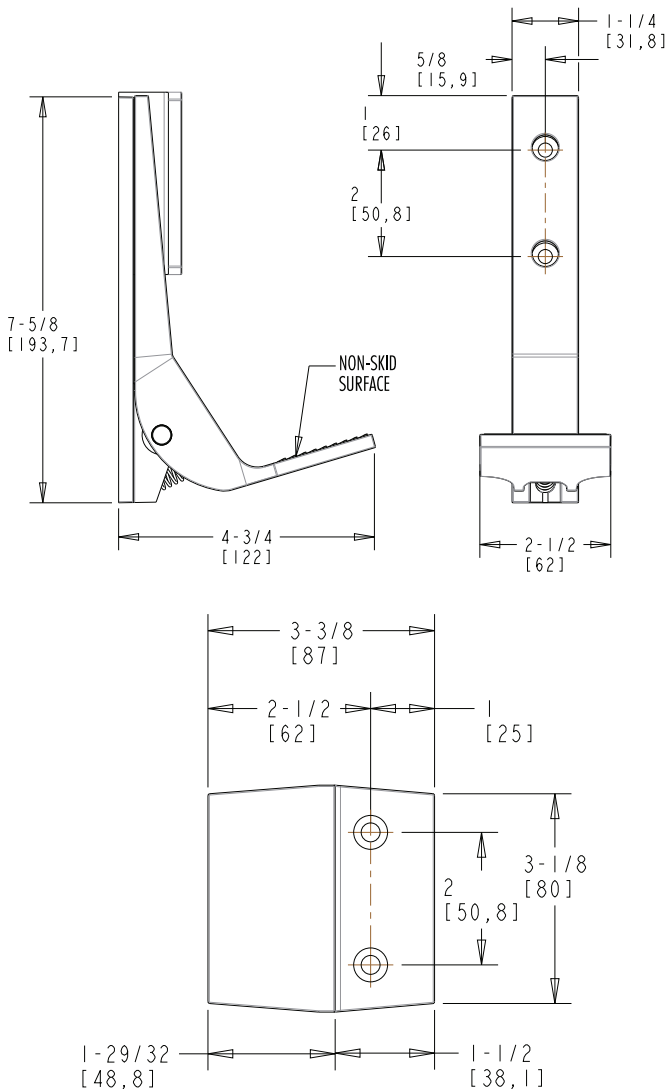
Specifications

Material

Pedal: Die-Cast Aluminum
 Mounting Plate: Die-Cast Aluminum
 Pivot Pin: 304 Stainless Steel
 Hair Pin: 304 Stainless Steel
 Pivot Bushing: Nylon
 Compression Spring: Music Wire
 Strike: Die-Cast Aluminum
 Plugs: Nylon
 Retrofit Kit: Stainless Steel Strike; Nylon and Stainless Steel Fasteners

Temperature Range

-40°F to 150°F (-40°C to 66°C)



Part No.	Description
11230000004	Foot Treadle Assembly (Only)
11230000008	Foot Treadle Assembly, Retrofit kit, Mounting Hardware
112300000316	Retrofit Kit, Mounting Hardware

Retrofit kit required when no backing plates are installed in the door and jamb.

1230-8 Foot Treadle with Retrofit Kit



© 2024 Kason Industries, Inc.

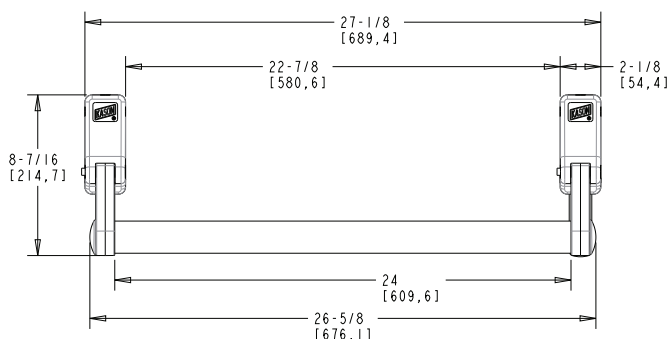
1123 LIT 001

0488 Series Walk-In Push Bar Inside Release (for use with Kason 0056, 5656, 5688, 0058, 0077, 0078, 0778 latches)



U.S. Patent No. 11,193,311

- Large hands-free contact area to open door
- Crossbar design provides simple low-effort operation
- Ergonomic design provides simple low-effort operation
- Stainless steel and aluminum materials
- Accommodates left and right handed doors
- Works with Kason latch models 0056, 5656, 5688, 0058, 0077, 0078, and 0778 (see Mounting)
- Retrofit plate mounting provides secure attachment to walls without backing material in the door



Specifications

Material

Anodized aluminum mounting plates and stainless steel latch cover, die-cast Zamak latch tongue, chrome plated zinc keypad housing, stainless steel inside push handle and strike

Mounting

(3) bolts on 4" thick door (minimum 30" wide door), latch and handle through-bolt with tamper-resistant hardware

For mounting on new doors with structural backing plates (not included), that are also appropriate for 1/4" diameter stainless steel fasteners. Consult Kason Engineering Department for field retrofitting instructions

Mounting of 0488AG is in vertical orientation on door to match the dual latch center-to-center distance

Temperature Range

-40°F to 150°F (-40°C to 65°C)

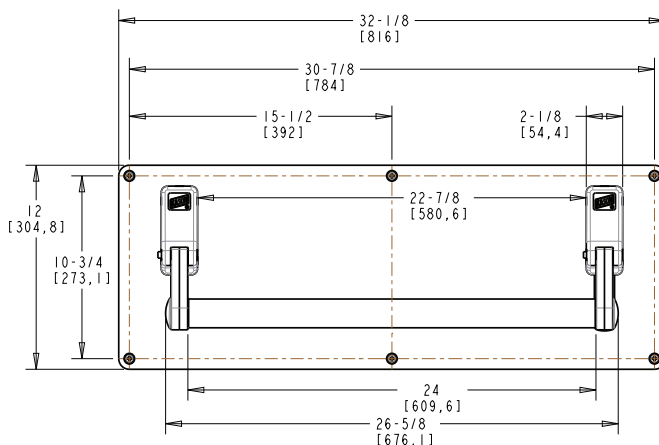
Part No.	Latches	Door Thickness	Rod Length	Qty./ Carton	Wgt./ Carton
10488C00318300	0058, 0077, 0078, 0778	3"	6.46"	1	5.98 lb (2.71 kg)
10488C00318400	0058, 0077, 0078, 0778	4"	7.46"	1	6.04 lb (2.74 kg)
10488C00318500	0058, 0077, 0078, 0778	5"	8.46"	1	6.09 lb (2.76 kg)
10488C00318600	0058, 0077, 0078, 0778	6"	9.46"	1	6.14 lb (2.79 kg)
10488A00318400	0056, 5656	4"	8"	1	6 lb (2.7 kg)
10488AG0317400	5688	4"	8"	1	7.2 lb (3.27 kg)
10488AG0318400	5688	4"	8"	1	7.7 lb (3.49 kg)
10488AG0319400	5688	4"	8"	1	9.2 lb (4.17 kg)

0488CR/0488AR Walk-In Push Bar Inside Release Retrofit Kit



U.S. Patent No. 11,193,311

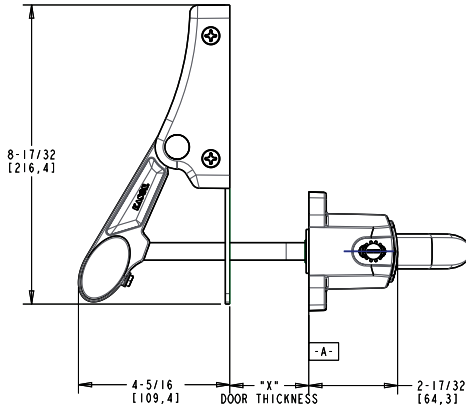
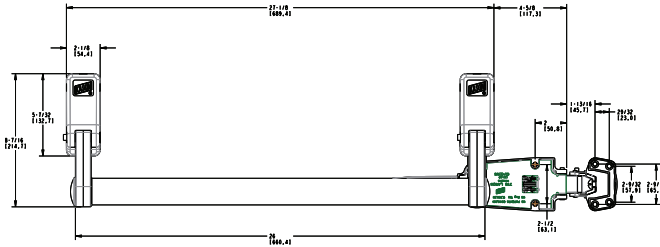
Part No.	Latches	Door Thickness	Rod Length	Qty./ Carton	Wgt./ Carton
10488CR0318763	0058, 0077, 0078, 0778	4"	7.63"	1	14.84 lb (6.73 kg)
10488CR0318825	0058E	4"	8.25"	1	14.87 lb (6.74 kg)
10488AR0318200	0056	2"	6.25"	1	14.71 lb (6.67 kg)



0488L Panic Bar Inside Release and Latch Assembly (UL 305 Certified)



U.S. Patent No. 11,193,311



- UL305 and Can/ULC-S132 certified panic device
- Stainless steel and aluminum materials for non-corroding construction
- Crossbar design provides a large contact area for opening door
- Ergonomic design provides simple low-effort operation
- Accommodates left and right handed doors
- Certified for doors up to 4' x 7' (width x height)
- Tested to UL305 and Can/ULC-S132 standard for panic devices
- Models available for flush through 1-5/8" offset doors
- Designed for 1/4" mounting screws

Specifications

Material

- Cross bar: 304 stainless steel
- Mounting brackets: 304 stainless steel
- Push rod: 303 series stainless steel
- Cover: Die-cast aluminum
- Pivot arm: Die-cast aluminum
- Hardware: Stainless steel
- Pin: 304 stainless steel
- Springs: Music wire
- End caps: Black polyethylene
- Bearings: Bronze

Temperature Range

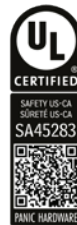
-40°F to 150°F (-40°C to 65°C)



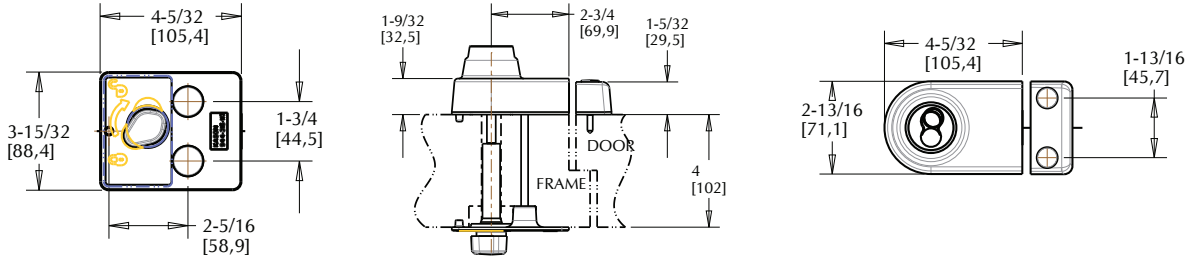
See 0778 Stainless Steel SafeGuard® Latch and 0779 Stainless Steel Spring Roller Strike Options

Part No.	Description	Door Thickness	Qty./ Carton	Wgt./ Carton
10488LC200102	Panic Bar Inside Release w/ 0778 Latch and 0779 Strike, #602 (UL)	2" to 2-1/4 (50.8 to 57.2 mm)	1	12 lb (5.44 kg)
10488LC200302	Panic Bar Inside Release w/ 0778 Latch and Strike, #602 (UL)	2" to 2-1/4 (50.8 to 57.2 mm)	1	12.18 lb (5.52 kg)
10488LC225102	Panic Bar Inside Release w/ 0778 Latch and 0778, Flush Strike, #602 (UL)	2-1/4" to 2-1/2" (57.2 to 63.5 mm)	1	12.36 lb (5.6 kg)
10488LC225302	Panic Bar Inside Release w/ 0778 Latch and 0779, Flush Strike, #602 (UL)	2-1/4" (57.2 mm)	1	12.52 lb (5.68 kg)
10488LC400102	Panic Bar Inside Release w/ 0778 Latch and Strike, #602 (UL)	4" (101.6 mm)	1	12.47 lb (5.66 kg)
10488LC400302	Panic Bar Inside Release w/ 0778 Latch and 0779 Strike, #602 (UL)	4" (101.6 mm)	1	12.64 lb (5.73 kg)
10488LC425102	Panic Bar Inside Release w/ 0778 Latch and Strike, #602 (UL)	4-1/4" to 4-1/2" (108 to 114.3 mm)	1	12.15 lb (5.51 kg)

Part No.	Description
90778CX6020	Latch for 0488L, Light Spring
90778X00130	Strike Insert Assembly, Flush, Brass Roller
90778X00131	Strike Insert Assembly, 3/4" to 1-1/2", Brass Roller
90778X06020	Latch for 0488L, Light Spring, Padlocking
90778X06202	Strike Assembly, 1/8" to 3/4", Brass Roller, Satin
90778X06203	Strike Assembly, 3/4" to 1-5/8", Brass Roller, Satin
90448CS1115630	Push Rod 5.63" for Standard 0488C, 2-1/4 to 2-1/2" Door, Stainless Steel
90448CS1117460	Push Rod 7.46" for Standard 0488C, 4" Door, Stainless Steel
90448CS1117630	Push Rod 7.63" for Standard 0488C, 4-1/4" to 4-1/2" Door, Stainless Steel



0944 Locking Deadbolt Latch



Versatile Cylinder Locking Deadbolt Latch Secures Walk-In Cooler/Freezer Doors

- Features powerful deadbolt with high-security cylinder lock and hidden fasteners to assure tamper-resistance
- Specifically designed for flush doors for walk-in coolers and freezers
- To resist freezing, latch mounts on door jamb and features non-conductive thermoplastic couplings
- Heavy-duty strike mounts on door
- 5-pin, screw-in mortise cylinder lock is standard
- Models available in polished and brushed chrome finishes

Removable Core Locking System

- Deadbolt with optional removable cylinder core allows fast, secure rekeying
- Core change key furnished. Lock cylinders available

Part No.	Description	Finish
10944000044	Deadbolt Latch with Cylinder, 4"	Polished Chrome
10944000045	Deadbolt Latch with Cylinder, 4"	Brushed Chrome
10944000046	Deadbolt Latch without Cylinder, 4"	Polished Chrome
10944000047	Deadbolt Latch without Cylinder, 4"	Brushed Chrome
10944000048	Deadbolt Latch with Removeable Core Cylinder, 4"	Polished Chrome
10944000049	Deadbolt Latch with Removeable Core Cylinder, 4"	Brushed Chrome
10944000050	Deadbolt Latch with Removeable Core Cylinder, 1" Wall Cooler Only	Polished Chrome
10944000054	Deadbolt Latch with Cylinder Univ., 3-1/2" to 6"	Polished Chrome
10944000055	Deadbolt Latch with Cylinder Univ., 3-1/2" to 6"	Brushed Chrome
10944000056	Deadbolt Latch without Cylinder Univ., 3-1/2" to 6"	Polished Chrome
10944000057	Deadbolt Latch without Cylinder Univ., 3-1/2" to 6"	Brushed Chrome
10944000058	Deadbolt Latch with Removeable Core Cylinder Univ., 3-1/2" to 6"	Polished Chrome
10944000059	Deadbolt Latch with Removeable Core Cylinder Univ., 3-1/2" to 6"	Brushed Chrome
9094400249	Replacement Cylinder Kit*	

*Cylinder kit only available for 10944000048, 10944000049, and 10944000050

Specifications

Material

Die-cast Zamak exterior bolt housing and strike; 1" solid metal through-bolt; glass-filled, composite interior plate and thumbturn; plastic through-door shaft

Finish

Polished or brushed chrome plated

Mounting

Latch mounts on door jamb; furnished with two mounting bolts for 4" (101.6 mm) thick wall; hole caps included. Strike mounts on door

Mounting Option

Latch available for wall thicknesses from 3-1/2" to 6" (89 to 152 mm). User must supply through-screws of desired length.

Cylinder Lock

Standard five-pin brass, screw-in. Keyed alike

Offset

Flush

Cylinder Options

Latch available with SFIC rem core 7-pin cylinder or without cylinder lock for customer installation of separate cylinder lock

Packaging

One per carton

Weight

Approximately 3.5 lb (89 kg) per carton

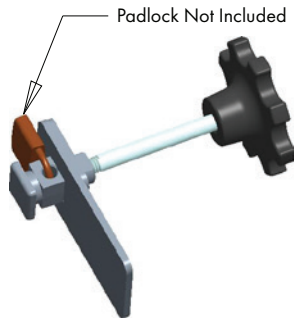
User Supplied Cylinder

User may supply their own cylinder: any standard Rim Cylinder with 1-1/8" length body and Adams Rite cam. Order standard latch. User replaces cylinder.

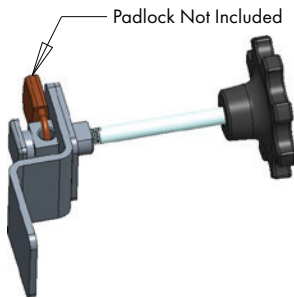


0036 Padlocking Hasp with Inside Release

0036-2

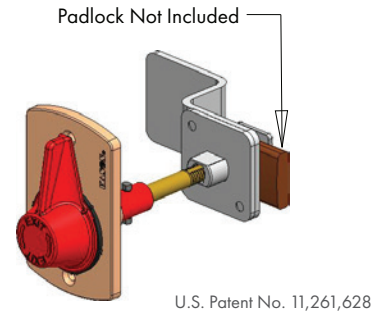


0036-8

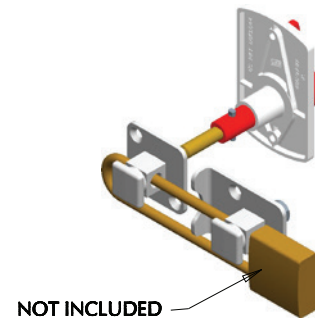


0036-485 Padlocking Hasp with Quarter Turn Inside Release

0036-485-640



0036-485-340



*Part No.	Description	Offset
10036000002	Twist-off ISR, 4" Wall Thickness	Flush (0.0 mm)
10036000002045	Twist-off ISR, 4-1/2" Wall Thickness	Flush (0.0 mm)
10036000006	Twist-off ISR, 4" Wall Thickness	1-1/8" (28.6 mm)
10036000006045	Twist-off ISR, 4-1/2" Wall Thickness	1-1/8" (28.6 mm)
10036000008	Twist-off ISR, 4" Wall Thickness	1-3/8" (34.9 mm)
10036000010	Twist-off ISR, 4" Wall Thickness	1-5/8" (41.3 mm)
10036000012	Knob with Threaded Rod 11-1/4" Long	NA
10036485240	Quarter Turn ISR, 4" Wall Thickness	Flush (0.0 mm)
10036485340	Dual Post w/ Quarter Turn ISR, 4" Wall Thickness	Flush (0.0 mm)
10036485640	Quarter Turn ISR, 4" Wall Thickness	1-1/8" (28.6 mm)
10036485840	Quarter Turn ISR, 4" Wall Thickness	1-3/8" (34.9 mm)

Specifications (0036/0036-485)

Material

Chrome plated die-cast zinc post; stainless steel locking bar with brushed finish; glow in the dark twist-off knob

Offsets

See table for details

Mounting

Mounts through door jamb for right- or left-opening door. Drilled and countersunk for concealed No. 10 (5.0 mm) flat-head screws

Rod Length

Standard for 4" (101.6 mm) door thickness. Order 10036000012 for custom door thickness and cut length to suit

Packaging

12 per carton

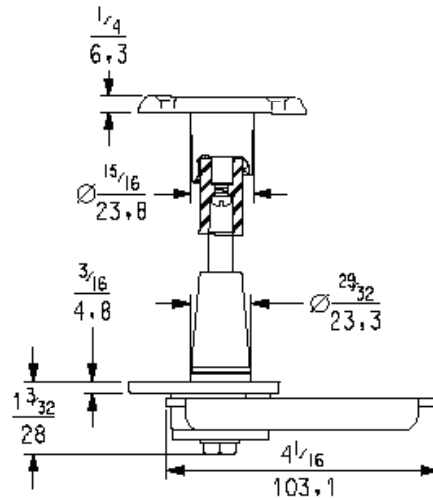
Weight

13.2 lb (6.0 kg) per carton

0948C Cylinder Locking Inside Release System



© U.S. Trademark 5,272,931
U.S. Patent D959,218



- Tamper-resistant cylinder locking system complements any pull handle or latch system
- Mounts entirely on door, so not affected by door sag
- Cylinder mounts with one-way slotted screws for extra security
- Turn of the lever unlocks or relocks door from inside; no parts to remove or re-position

Part No.	Description
10948C00004	Cylinder Housing with Inside release

May be keyed alike or differently; 5 Key changes available; please specify

Specifications

Material

Lock: Die-cast zinc/polished chrome

Inside Release

Metal hub and flange, stainless steel arm and bolt, nylon bushing and shaft, polypropylene strike

Mounting

Mounts through door with No. 10 (5.0 mm) flat-head screws

Rod Length

Standard for 4" (101.6 mm) door thickness. Custom lengths available; specify door thickness when ordering

Packaging

24 per carton

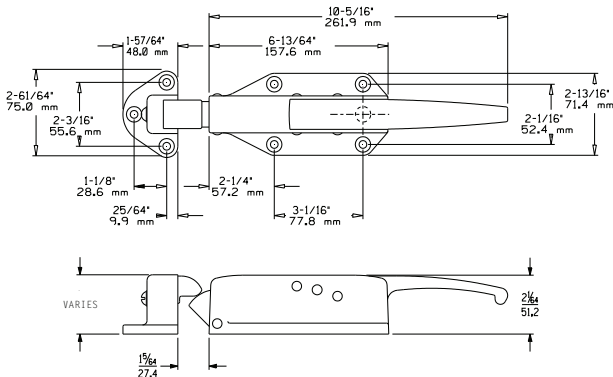
Weight

23.2 lb (11/2 kg) per carton





© U.S. Trademark 2,227,009



- For smooth, easy closure
- Works with foam doors
- Reliable, self-closing action provides positive tight closure with little effort
- Releases with minimum pressure or pull from outside or from inside with Kason inside release handle
- Works effectively with Kason door closers
- Economical, adjustable solid head strike
- Padlocking provision standard on all models

Specifications (0058/0059)

Material

High pressure die-cast zinc, stainless black plate

Finish

Polished chrome models listed. Also available in brushed chrome, silver powder coat, or powder coated for severe environmental applications

Mounting Holes

Drilled and countersunk for 1/4" (6.0 mm) screws

Packaging/Weight

6 body assemblies/approx. 16 lb (7.3 kg) per carton
6 strike assemblies/approx. 7 lb (3.2 kg) per carton

Inside Release

Accepts "C" series inside release. Order separately
See pages 45-48, and 53 for selection

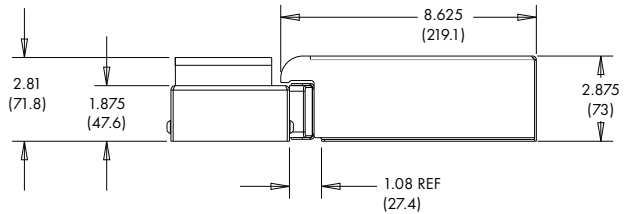
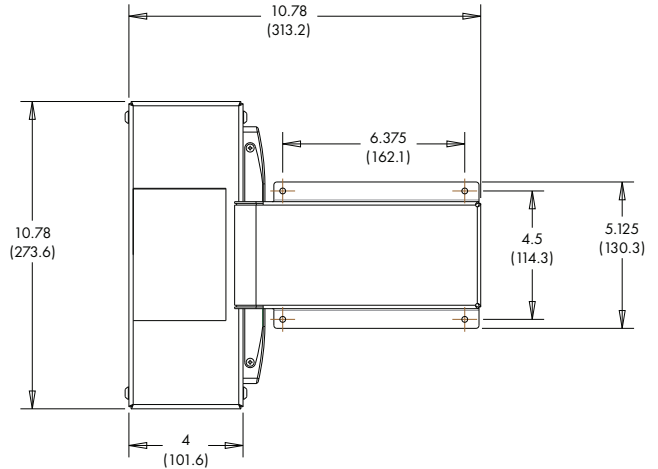
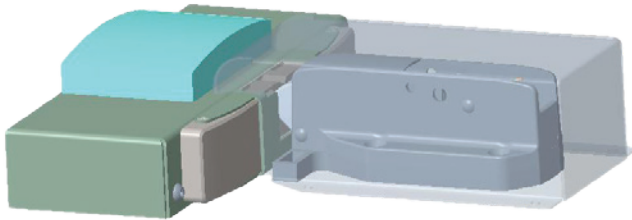
Locking Mechanism

Accepts Master #1 U Padlock with 5/16" shank

Part No.	Description	Offset
10058CH5020	Cylinder Locking Body, Heavy Spring	
10058CL5020	Cylinder Locking Body, Light Spring	
10058H05021	Body, Heavy Spring	
10058L05021	Body, Light Spring	
10058005001	Strike	-1/8" to 1/4" (-3.2 to 6.4 mm)
10058005002	Strike	3/4" to 1-5/8" (19.0 to 41.3 mm)
10058005003	Strike	1-3/4" to 2-1/2" (44.5 to 63.5 mm)
10058ER2000	Latch w/ Electric Strike, Retrofit Flush, Std. (No Card Reader)	
10059005001	Roller Strike	-1/8" to 1/4" (-3.2 to 6.4 mm)
10059005002	Roller Strike	3/4" to 1-5/8" (19.0 to 41.3 mm)
10059005003	Roller Strike	1-3/4" to 2-1/2" (44.5 to 63.5 mm)
90531 CM000401	Replacement Cylinder Kit #1	
90531 CM000402	Replacement Cylinder Kit #2	
90531 CM000403	Replacement Cylinder Kit #3	
90531 CM000404	Replacement Cylinder Kit #4	



0058E SafeGuard® Security Latch with Electronic Flush Strike



- Kason SafeGuard® latch with inside release (sold separately) assures easy exit at all times
- Stainless steel and powder coated steel construction with stainless steel hardware provide durability and low maintenance
- Utilizes high-security industry standard UL Certified electronic strike
- Overlapping cover design provides increased tamper resistance
- Accepts card readers intended for standard junction box mounting
- Electric strike can be set to either Fail Safe or Fail Secure
- Requires use with Kason inside release models: 0481C, 0482C, 0486C, 0487C, 0488C, and 0489C

Specifications

Ingress/Egress

Users inside the enclosure always have a free exit. In the case of a power outage to the latch/strike, the strike is set at factory as Fail Safe, leaving the door unlocked from the outside. This leaves emergency access into the enclosure from the outside. To maintain a locked door in a power outage, the strike must be set to Fail Secure.

Material

Base Plate: Steel
 Top Cover: Optional 300 series stainless steel or powder coated steel
 Latch Cover: Optional 300 series stainless steel or powder coated steel
 Latch Spacer: Gray ABS
 Latch Insert: Gray ABS
 Anti-Pick Plate: 300 series stainless steel
 Hardware: Stainless steel
 0058 Latch: Zinc die-cast and stainless steel
 Electric Strike Assa Abloy 9600: Stainless steel
 Card Reader HID: See table for model number

Electrical

Required Power for Card Reader:
 65 mA @ 16 VDC, 5-16 VDC operating voltage
 Electric Strike Power Required:
 0.45/0.25 A @ 12/24 VDC at continuous duty

Mounting Hardware

Designed for (4) 1/4" dia. head fasteners and (4) #10 dia. tamper-proof screws (not included)

Temperature Range

-31 °F to 150 °F (-35 °C to 66 °C)

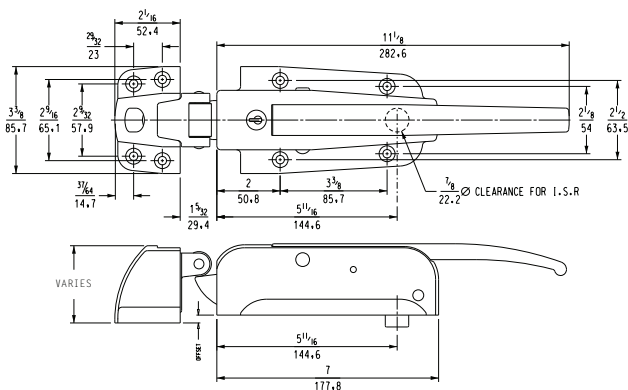
Part No.	Description	Wgt./ Carton
10058E00000	Latch with Electronic Strike, Flush, Standard Card Reader	7 lb (3.2 kg)
10058E01000	Latch with Electronic Strike, Flush, Bluetooth Card Reader	7 lb (3.2 kg)
10058E03000	Latch with Electronic Strike, Flush, No Card Reader, Stainless Steel	6.4 lb (2.9 kg)
10058E03000W	Latch with Electronic Strike, Flush, No Card Reader, White	6.4 lb (2.9 kg)
10058ER2000	Latch with Electronic Strike, Retrofit Flush, No Card Reader, Stainless Steel	6.5 lb (3 kg)
10058ER2000W	Latch with Electronic Strike, Retrofit Flush, No Card Reader, White	6.5 lb (3 kg)

Note: Door handles and inside releases sold separately.

0056 SafeGuard® Latch



© U.S. Trademark 2,181,603;
5,809,889



- Bolt-type tongue provides positive locking action
- Proven, heavy-duty construction outlasts similar latches in hard commercial use
- Adjustable strike assures precise adjustment (Order Separately)
- Padlocking provision standard on all models
- Accepts Kason inside release lever to prevent accidental entrapment in locked walk-ins
- Inside lever releases cylinderlocked or padlocked door
- Unsurpassed for long life and reliability

Specifications

Material

High pressure die-cast zinc body and strike housing, 300 series stainless steel handle

Finish

See table on page 26. Powder coat finishes and stainless steel handle available for use in extreme environmental conditions.

Mounting

Holes drilled and countersunk for 1/4" (6.4 mm) screws

Packaging/Weight

6 body assemblies per carton/approx. 30 lb (14 kg) per carton
6 strike assemblies per carton/approx. 10 lb (4.5 kg) per carton

Inside Release

See pages 45-48 for selection

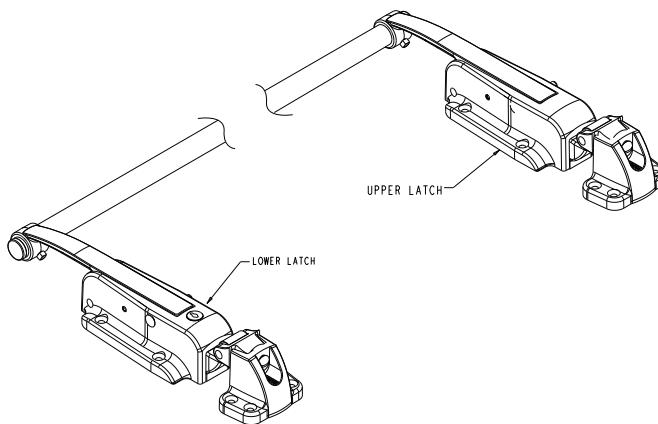
Locking Mechanism

Accepts Master #1 LJ Padlock with 5/16" shank

5656 Two-Point Locking Latch



© U.S. Trademark 2,181,603;
5,809,889



Two No. 0056 latches with stainless steel connecting rod. Lower latch is cylinder locking. Rod is 7/8" (22.2 mm) diameter and 37-1/4" (946.2 mm) long. Latch has all the features of No. 0056 latch.

Specifications

Packaging/Weight

1 set per carton/approx. 16 lb (7.3 kg)

Product table on next page

0056 Series Ordering Information

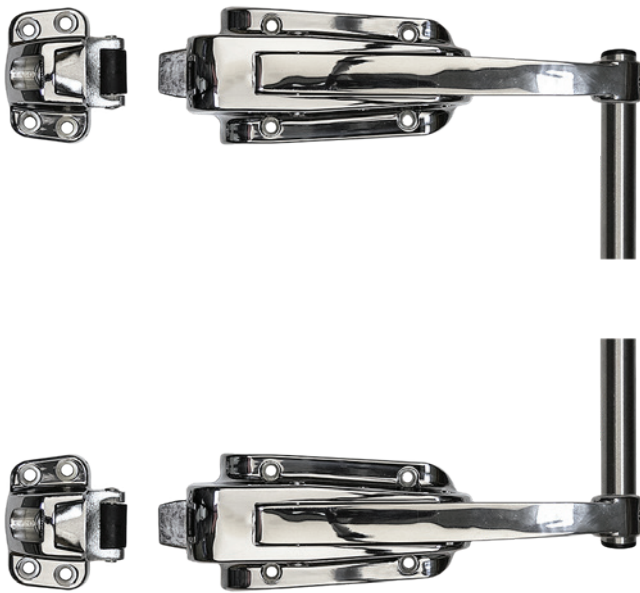
Part No.	Description		
1005600(X)00(Y)		See (X) Options in Table Below	See (Y) Options in Table Below
	Strike	(5) Polished Chrome	(2) -1/8" to 1/4" (-3.2 to 6.4 mm)
	Strike	(6) Brushed Chrome	(3) 3/4" to 1-1/2" (19.0 to 38.1 mm)
	Strike	(T) Silver Powder Coat	(5) 1-3/4" to 2-1/2" (44.5 to 63.5 mm)
	Strike		(8) 3" to 4" (76.2 to 101.6 mm)

Part No.	Description	Finish
10056CH5020	Cylinder Locking Body, Heavy Spring	Polished Chrome
10056CH6021	Cylinder Locking Body, Heavy Spring	Brushed Chrome
10056CH0108	Cylinder Locking Body, Heavy Spring	Silver Powder Coat
10056CLT108	Cylinder Locking Body, Light Spring	Silver Powder Coat Body, Polished SS Handle
10056CLT208	Cylinder Locking Body, Light Spring	Silver Powder Coat Body and Handle
10056CL5020	Cylinder Locking Body, Light Spring	Polished Chrome
10056CL6021	Cylinder Locking Body, Light Spring	Brushed Chrome
10056CL0108	Cylinder Locking Body, Light Spring	Silver Powder Coat
10056CL902005	Cylinder Locking Body, Light Spring	Black Powder Coat Body and Handle
10056CL902205	Cylinder Locking Body, Light Spring	Black Powder Coat Body, Polished SS Handle
10056CX5020	Cylinder Locking Body, X-Light Spring	Polished Chrome
10056H05020	Padlocking Body, Heavy Spring	Polished Chrome
10056H06021	Padlocking Body, Heavy Spring	Brushed Chrome
10056L0T108	Padlocking Body, Light Spring	Silver Powder Coat Body, Polished SS Handle
10056L0T208	Padlocking Body, Light Spring	Silver Powder Coat Body and Handle
10056L00086	Padlocking Body, Light Spring	Silver Powder Coat
10056L05020	Padlocking Body, Light Spring	Polished Chrome
10056L06021	Padlocking Body, Light Spring	Brushed Chrome
10056L09022	Padlocking Body, Light Spring	Black Powder Coat Body, Polished SS Handle
10056XL5020	Padlocking Body, X-Light Spring	Polished Chrome
10056XL6020	Padlocking Body, X-Light Spring	Silver Powder Coat
10056XL0086	Padlocking Body, X-Light Spring	Silver Powder Coat
90056CM0004	Cylinder Kit for 56C models.	

Cylinder locks may be keyed alike or differently; 5 key changes available. Please specify.

Part No.	Description	Offset	Tube Length	Finish
15656CL3004	Cylinder Locking Two Point Latch	-1/8" to 1/4" (-3.2 to 6.4 mm)	30" CL to CL	Polished Chrome
15656CL3604	Cylinder Locking Two Point Latch	-1/8" to 1/4" (-3.2 to 6.4 mm)	36" CL to CL	Polished Chrome
15656CL3605	Cylinder Locking Two Point Latch	-1/8" to 1/4" (-3.2 to 6.4 mm)	36" CL to CL	Brushed Chrome
15656L30004	Padlocking Two Point Latch	-1/8" to 1/4" (-3.2 to 6.4 mm)	30" CL to CL	Polished Chrome
15656L36004	Padlocking Two Point Latch	-1/8" to 1/4" (-3.2 to 6.4 mm)	36" CL to CL	Polished Chrome
15656L36005	Padlocking Two Point Latch	-1/8" to 1/4" (-3.2 to 6.4 mm)	36" CL to CL	Brushed Chrome
15656L36020	Padlocking Two Point Latch	3/4" to 1-1/2" (19.1 to 38.1 mm)	36" CL to CL	Polished Chrome
15656L36021	Padlocking Two Point Latch	3/4" to 1-1/2" (19.1 to 38.1 mm)	36" CL to CL	Brushed Chrome
*95656004740097	Connecting Tube		36" CL to CL	Stainless Steel

5688 SafeGuard® Two-Point Latch with 0488 Vertical Push Bar Inside Release



- Two 0056 latches connected with stainless steel rods
Note: Rod is 7/8" (22.2 mm) diameter and supplied in 3 different lengths for latch spacing options
- Vertical inside release push bar provides ergonomic operation to open the door
- Bolt-type tongue provides positive locking action
- Proven, heavy-duty construction
- Kason's adjustable strike assures precise adjustment
- Padlocking provision is standard on all models (Cylinder locking is optional)
- Uses Kason "A" Series 0488AG Inside Release Mechanism to prevent accidental entrapment in locked walk-ins. Inside lever releases cylinder-locked or padlocked door

Specifications

Material

High pressure die-cast Zamak 3 body and strike housing, 300 series stainless steel handle

Finish

Polished Chrome

Mounting

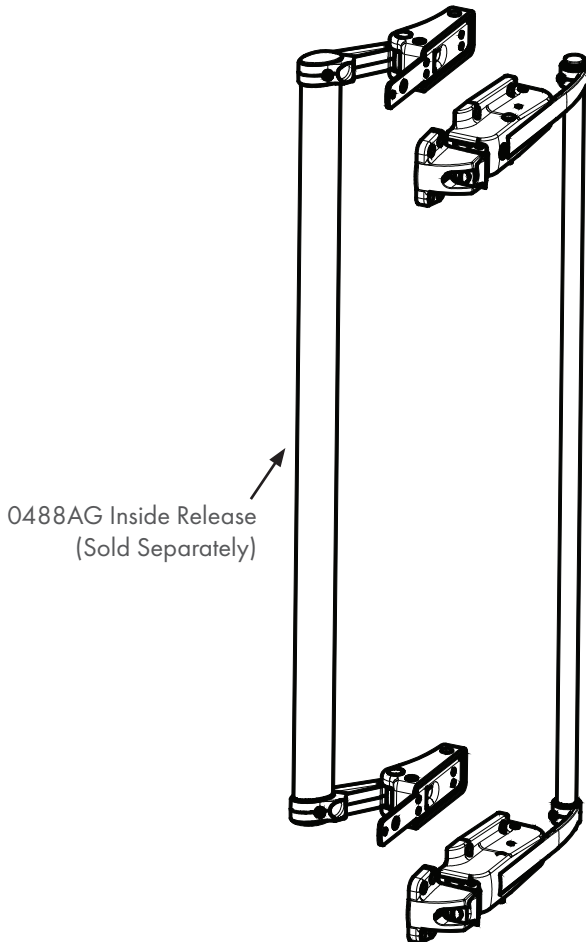
Holes drilled and countersunk for 1/4" (6.4 mm) screws

Inside Release

See pages 45-48 for selection

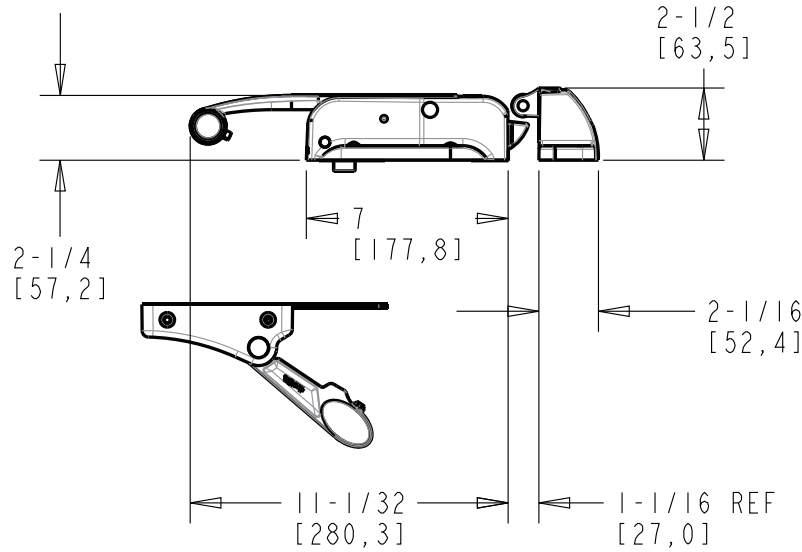
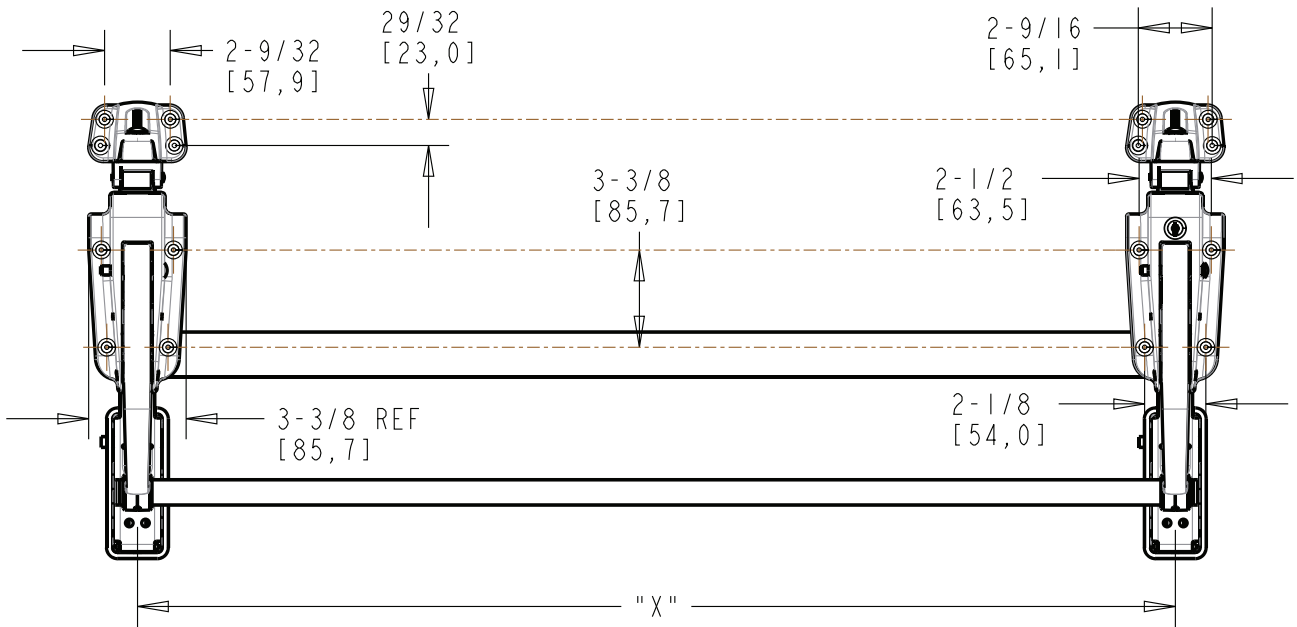
Locking Mechanism

Accepts Master #1 LJ Padlock with 5/16" shank



0488AG Inside Release
(Sold Separately)

Product table and dimensions on next page

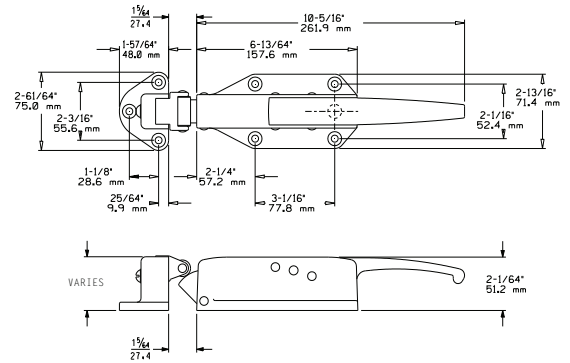


Part No.	Description	Offset	Tube Length "X"	Wgt./Carton	Finish
15688CL3004	Cylinder Locking Two Point Latch	-1/8" to 1/4" (- 3.2 to 6.4 mm)	30	16.7 lb (7.6 kg)	Polished Chrome
15688CL3604	Cylinder Locking Two Point Latch	-1/8" to 1/4" (- 3.2 to 6.4 mm)	36	17.1 lb (7.8 kg)	Polished Chrome
15688L36004	Padlocking Two Point Latch	-1/8" to 1/4" (- 3.2 to 6.4 mm)	36	16.6 lb (7.5 kg)	Polished Chrome
15688L50020	Padlocking Two Point Latch	3/4" to 1-1/2" (19.1 to 38.1 mm)	50	22.4 lb (10.2 kg)	Polished Chrome

Note: Other finishes, spacing, and cylinder combinations available.



© U.S. Trademark 2,227,009



- For lighter weight foam doors
- Radial tongue combined with a roller strike for easiest closing and smoothest opening walk- in doors
- Releases with minimum pressure or pull from outside or push from inside with Kason inside release handle
- Mate with Kason door closer for effortless closure
- Adjustable strike assures exact door alignment
- Padlocking provision standard on all models
- Strike model 0059 is included with all 0077 models

Specifications

Material

High pressure die-cast zinc. Stainless steel back plate.

Finish

Polished chrome models listed. Also available in brushed chrome, silver powder coat for severe environmental applications.

Mounting Holes

Holes drilled and countersunk for 1/4" (6.0 mm) screws.

Inside release

Accepts "C" series inside release. Order separately. See pages 45-48, and 53 for selection

Locking Mechanism

Accepts Master #1 UJ Padlock with 5/16" shank.

Packaging

6 per carton

Weight

Approx. 24 lb (11.3 kg) per carton

Part No.	Description	Offsets
10077CH0004C	Cylinder Locking , Heavy Spring	-1/8" to 1/4" (-3.2 to 6.4 mm)
10077CH0008C	Cylinder Locking , Heavy Spring	3/4" to 1-5/8" (19.0 to 41.3 mm)
10077CH0012C	Cylinder Locking , Heavy Spring	1-3/4" to 2-1/2" (44.5 to 63.5 mm)
10077CL0004C	Cylinder Locking , Light Spring	-1/8" to 1/4" (-3.2 to 6.4 mm)
10077CL0008C	Cylinder Locking , Light Spring	3/4" to 1-5/8" (19.0 to 41.3 mm)
10077CL0012C	Cylinder Locking , Light Spring	1-3/4" to 2-1/2" (44.5 to 63.5 mm)
10077H00004C	Latch, Heavy Spring	-1/8" to 1/4" (-3.2 to 6.4 mm)
10077H00008C	Latch, Heavy Spring	3/4" to 1-5/8" (19.0 to 41.3 mm)
10077H00012C	Latch, Heavy Spring	1-3/4" to 2-1/2" (44.5 to 63.5 mm)
10077L00004C	Latch, Light Spring	-1/8" to 1/4" (-3.2 to 6.4 mm)
10077L00008C	Latch, Light Spring	3/4" to 1-5/8" (19.0 to 41.3 mm)
10077L00012C	Latch, Light Spring	1-3/4" to 2-1/2" (44.5 to 63.5 mm)
90531CM000401	Replacement Cylinder Kit #401	
90531CM000402	Replacement Cylinder Kit #402	
90531CM000403	Replacement Cylinder Kit #403	
90531CM000404	Replacement Cylinder Kit #404	

Cylinder locking latches may be keyed alike or differently; 5 key changes available; please specify.

© 2024 Kason Industries, Inc.

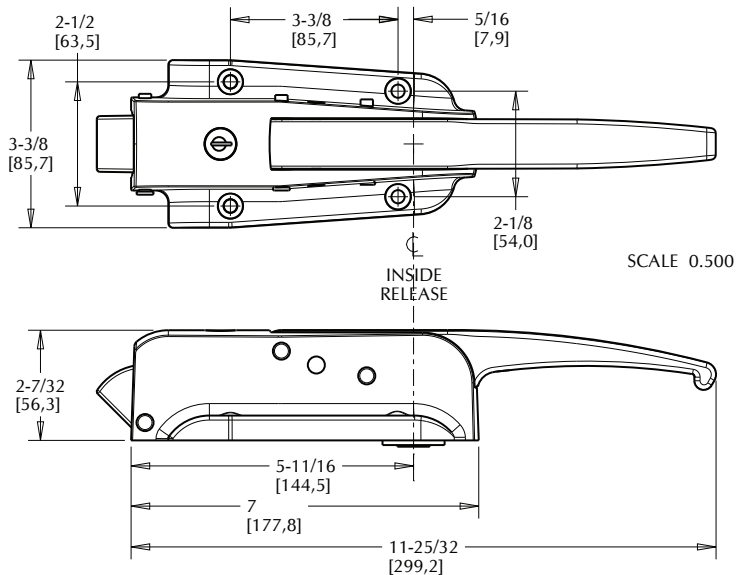
1123 LIT 001



0078 SafeGuard® Radial Latch



© U.S. Trademark 5,760,311
U.S. Patent No. D-649,861



- Radial tongue makes for effortless door closure when combined with Kason door closers
- Meets 2009 Federal Energy mandate requirements for door seal when used with a Kason door closure
- Works effectively with our 0056 or 0059 series adjustable strike assemblies
- Padlock option standard for all models
- Cylinder option available for all models
- Compatible inside release items are: 0481C, 0481SC, 0482C, 0486C, 0486CF, 0487C, 0489C and 0489CF assemblies

Specifications

Material

High pressure die-cast zinc.

Finish

Available Finishes: polished chrome, brushed chrome, or silver powder coat

Mounting Holes

Drilled and countersunk for 1/4" (6.0 mm) screws.

Packaging/Weight

6 body assemblies/approx. 16 lb (7.3 kg) per carton

6 strike assemblies/approx. 7 lb (3.2 kg) per carton

Inside Release

Only accepts "C" series rods. See pages 45-48, and 53 for selection

Locking Mechanism

Accepts Master #1 LJ Padlock with 5/16" shank.

0056 Roller Strike



0059 Roller Strike



0779 Stainless Steel Spring Roller Strike



*Product table on next page



Part No.	Description	Offset	Finish
10078CL5020	Locking Cylinder	Body Only	Chrome
10078CL6020	Locking Cylinder	Body Only	Brushed Chrome
10078L05020	Locking Non-Cylinder	Body Only	Chrome
10078L06020	Locking Non-Cylinder	Body Only	Brushed Chrome
10056005000	Strike	1-5/8" to 2-1/2" (41.3 to 63.5 mm)	Chrome
10056005002	Strike	-1/8" to 1/4" (-3.2 to 6.4 mm)	Chrome
10056005003	Strike	3/4" to 1-1/2" (19.1 to 38.1 mm)	Chrome
10056005005	Strike	1-3/4" to 2-1/2" (44.5 to 63.5 mm)	Chrome
10056005008	Strike	3" to 4" (76.2 to 101.6 mm)	Chrome
10056006000	Strike	1-5/8" to 2-1/2" (41.3 to 63.5 mm)	Brushed Chrome
10056006002	Strike	-1/8" to 1/4" (-3.2 to 6.4 mm)	Brushed Chrome
10056006003	Strike	3/4" to 1-1/2" (19.1 to 38.1 mm)	Brushed Chrome
10056006004	Strike	1-3/8" to 1-3/4" (34.9 to 44.5 mm)	Brushed Chrome
10056006005	Strike	1-3/4" to 2-1/2" (44.5 to 63.5 mm)	Brushed Chrome
10059005001	Strike	-1/8" to 1/4" (-3.2 to 6.4 mm)	Chrome
10059005002	Strike	3/4" to 1-5/8" (19.1 to 41.3 mm)	Chrome
10059005003	Strike	1-3/4" to 2-1/2" (44.5 to 63.5 mm)	Chrome
10059005005	Strike	1-3/8" to 2-1/8" (34.9 to 54 mm)	Chrome
10059006001	Strike	-1/8" to 1/4" (-3.2 to 6.4 mm)	Brushed Chrome
10059006002	Strike	3/4" to 1-5/8" (19.1 to 41.3 mm)	Brushed Chrome
10059006003	Strike	1-3/4" to 2-1/2" (44.5 to 63.5 mm)	Brushed Chrome
10059006005	Strike	1-3/8" to 2-1/8" (34.9 to 54 mm)	Brushed Chrome
90531 CM000401	Replacement Cylinder Kit #401		
90531 CM000402	Replacement Cylinder Kit #402		
90531 CM000403	Replacement Cylinder Kit #403		
90531 CM000402	Replacement Cylinder Kit #404		

Powder coated finishes available upon request. Cylinder locks may be keyed alike or differently. Please specify.

0779 Stainless Steel Spring Roller Strike

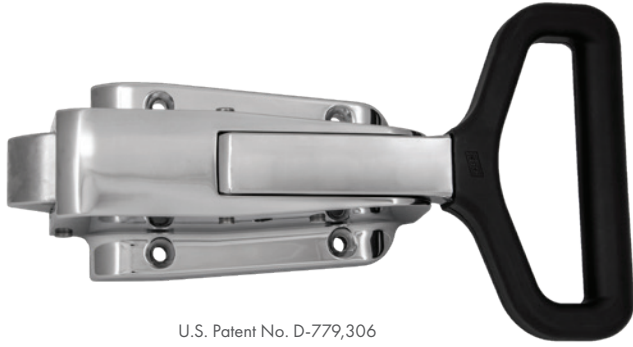


U.S. Patent No. D-891,915

- Protects the latch mechanism which is not designed for door closure after being locked. Use on 0058, 0078 and 0778 latches
- Designed with a spring loaded, pivoting roller arm which deflects when door is closed with a locked latch, preventing unwanted damage to the latch
- Arm has full rigidity when engaged with latch
- Tamper-proof spring and pins
- Type 316 stainless steel cast components
- Nylon roller standard, stainless steel roller optional

Part No.	Description	Offset	Finish
10779006002	Strike Assembly, Nylon Roller	1/8" to 3/4" (3.2 to 19.1 mm)	Satin
10779006003	Strike Assembly, Nylon Roller	3/4" to 5/8" (19.1 to 15.9 mm)	Satin
10779006102	Strike Assembly, Stainless Steel Roller	1/8" to 3/4" (3.2 to 19.1 mm)	Satin
10779006103	Strike Assembly, Stainless Steel Roller	3/4" to 5/8" (19.1 to 15.9 mm)	Satin

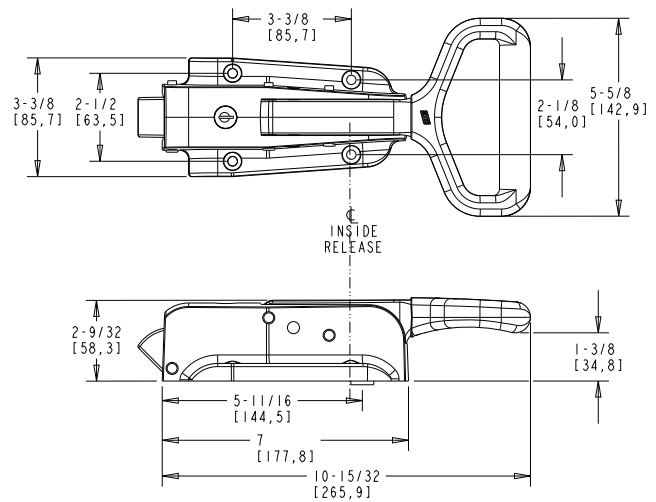
0078S SafeGuard® Latch



U.S. Patent No. D-779,306

- Latch supplied with ergonomically-correct pull handle
- Impact and UV resistant composite grip
- Pathoguard™ infused grip
- Easy grip handle makes opening large, heavy doors effortless
- Reduced stress on employees

Part No.	Description	Finish
10078S05022	Non-cylinder Latch, Shvl	Chrome
10078S06022	Non-cylinder Latch, Shvl	Brushed Chrome
10078CS502202	Latch, Shvl Key 602	Chrome
10078CS602202	Latch, Shvl Key 602	Brushed Chrome



Specifications

Material

High pressure die-cast zinc

Finish

Three available finishes - polished chrome, brushed chrome, or silver powder coat

Mounting

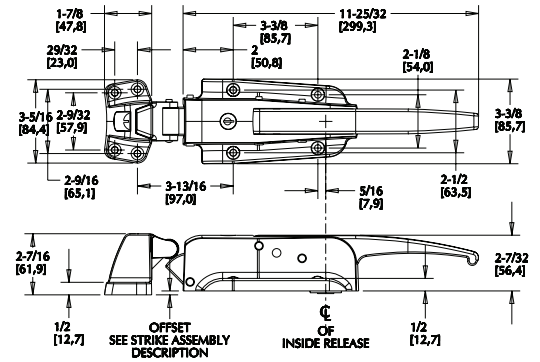
Holes drilled and countersunk for 1/4" (6.0 mm) screws

Packaging/Weight

6 body assemblies/approx. 16 lb (7.3 kg) per carton
6 strike assemblies/approx. 7 lb (3.2 kg) per carton



Latch:
 © U.S. Trademark 5,760,311
 U.S. Patent No. D-649,861
 Strike:
 © U.S. Trademark 5,809,888



- 316 stainless steel body, handle, and strike housing, satin finish
- Radial tongue makes for effortless door closure when combined with Kason door closers
- Corrosion Resistant
- The walk-in latch unsurpassed for reliability is now available for the most challenging applications
- 0778 features unequaled strength and corrosion-resistance
- Tamper-resistant locking mechanism and mounting are built in
- Adjustable roller strike assures precise adjustment
- Padlocking provision standard on all models
- Accepts Kason inside release lever to prevent accidental entrapment in locked walk-ins. Inside lever releases cylinder locked or padlocked door

Part No.	Description	
10778CL6020*	Cylinder Latch Body, Light Spring	UL
10778L06020*	Padlocking Latch Body, Light Spring	UL
10778CH6020	Cylinder Latch Body, Heavy Spring	-
10778H06020	Padlocking Latch Body, Heavy Spring	-
10778006002	Strike, -1/8" to 3/4" (-3 - 19 mm)	
10778006003	Strike, 3/4" to 1-5/8" (19 - 41 mm)	
10778006004	Strike, 1-5/8" to 2-1/2" (41-64 mm)	
10778006102	Strike, Stainless Steel Roller -1/8" to 3/4" (-3 - 19 mm)	
10778006103	Strike, Stainless Steel Roller 3/4" to 1-5/8" (19 - 41 mm)	
10778006104	Strike, Stainless Steel Roller 1-5/8" to 2-1/2" (41-64 mm)	
90531CM000401	Replacement Cylinder Kit #401	
90531CM000402	Replacement Cylinder Kit #402	
90531CM000403	Replacement Cylinder Kit #403	
90531CM000404	Replacement Cylinder Kit #404	

*Light spring models with roller strike

Specifications

Material

Satin Finish, #316 stainless steel body and strike housing

Mounting

Holes drilled and countersunk for 1/4" (6 mm) screws.

Packaging

6 per carton.

Inside Release

Accepts any "C" series inside release.
 See No. 0481SC, shown below. Order separately.

Locking Mechanism

Accepts Master #1 L Padlock with 5/16" shank

0481SC Stainless Steel Inside Release

Specifications

Material

Stainless steel rod and flange, glow in the dark plastic knob

Mounting

Holes drilled for No. 10 (5 mm) screws

Packaging

24 per carton

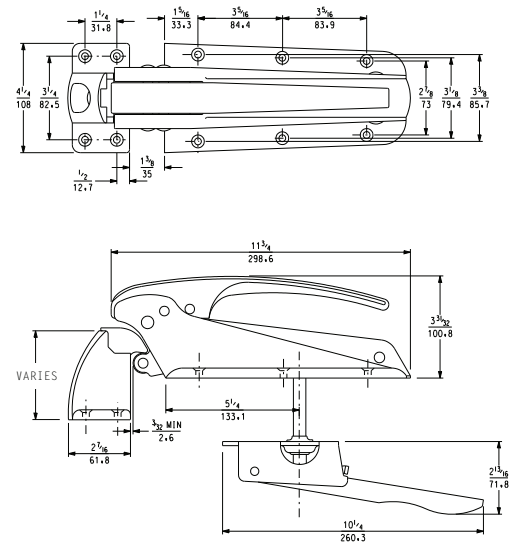


- Opens padlocked or cylinder locked 0778 latch from inside of walk-in
- Clearly visible Safety-Glow knob for added safety

Part No.	Description
10481SC0400	Inside Release for 4" (102 mm) Thick Door
10481SC0600	Inside Release for 6" (152 mm) Thick Door



0055 SafeGuard® Latch



This pioneer, heavy-duty refrigeration equipment safety latch has been imitated but never matched in rugged mechanical features and value. Designed to prevent accidental entrapment in walk-ins.

- Designed for large doors and test chambers that require a positive latch
- Complete with inside release lever to prevent accidental entrapment in locked walk-ins. Inside lever releases cylinder-locked or padlocked door
- Innovative micro-adjustable strike assures precise adjustment

Part No.	Description	Finish
10055000020	Latch, Flush to 3/16" (0 to 4.8 mm)	Chrome/ Stainless Steel
10055000024	Latch, 3/4" to 1-1/8" (19 to 28.6 mm)	Chrome/ Stainless Steel
10055000028	Latch, 1-1/8" to 1-5/8" (28.6 to 41.3 mm)	Chrome/ Stainless Steel
10055000032	Latch, 1-3/8" to 1-7/8" (34.9 to 47.6 mm)	Chrome/ Stainless Steel
10055000065	Latch, Flush to 3/16" (0 to 4.8 mm)	Silver P.C./ Stainless Steel
10055000066	Latch, 3/4" to 1-1/8" (19 to 28.6 mm)	Silver P.C./ Stainless Steel
10055000068	Latch, 1-1/8" to 1-5/8" (28.6 to 41.3 mm)	Silver P.C./ Stainless Steel
No. 0055 latches and strikes may be ordered separately. Powder Coat finishes available. Request Information.		
15582000004	Latch, 1-1/8" to 1-5/8" (28.6 to 41.3 mm)	Chrome/ Stainless Steel

Specifications

Material

High pressure die-cast zinc body and strike housing, stainless steel handle, cold rolled steel inside release paddle assembly.

Mounting

Holes drilled and countersunk for 1/4" (6.0 mm) screws.

Door Thickness

Plunger rod for inside release handle fits 6" (152.4 mm) door. Specify other door thickness.

Spring Options

Specify preference as follows:

0055XL to Latch with light spring

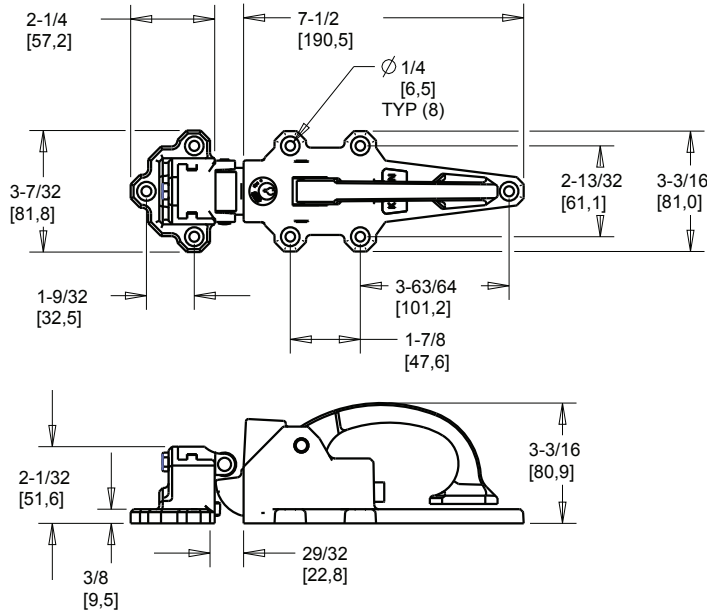
0055XXL to Latch with extra-light spring; use with Kason 0486D or 0489D push-type inside release. For inside releases, see pages 45, 48, 53, and 55 for selection

Packaging/Weight

1 per carton / Approx. 14 lb (6.4 kg) per carton

Locking Mechanism

Accepts Master #101 Padlock with 5/16" shank



- Super strength brass latch easily withstands toughest applications
- Provides the ultimate corrosion resistance
- Stationary cylinder lock

Specifications

Material

Forged brass with steel tongue and strike inserts

Finish

Polished chrome

Mounting

Holes drilled and countersunk for 1/4" (6.0 mm) screws

Packaging

1 per carton

Weight

Approx. 7 lb (3.2 kg) per carton

Locking Mechanism

Accepts Master #1 U Padlock with 5/16" shank

Warning

No. 0045 and 0050 latches cannot be opened from inside when locked, therefore they should not be used on doors which are sole means of exit from walk-ins. When safety latches are required, see Kason SafeGuard® latches in this section.

0045 Padlocking Latch

Same as 0050 Cylinder Locking Brass latch with provision for padlock only

Part No.	Description	Offset
10050S00002	Stationary Cylinder Locking Latch with Strike	-1/4" to 1/8" (-6.4 to 3.2 mm)
10050S00008	Stationary Cylinder Locking Latch with Strike	Flush to 1/2" (0 to 12.7 mm)
10050S00012	Stationary Cylinder Locking Latch with Strike	3/4" to 1-1/4" (19 to 31.8 mm)
10050S00040	Stationary Cylinder Locking Body Only	
10048000028**	Strike for 0050, 0051 and 0045, 0046 Latches	Flush to 1/2" (0 to 12.7 mm)
10048000032**	Strike for 0050, 0051 and 0045, 0046 Latches	3/4" to 1-1/4" (19 to 31.8 mm)
10048000034**	Strike for 0050, 0051 and 0045, 0046 Latches	-1/4" to 1/8" (-6.4 to 3.2 mm)

Part No.	Description	Offset
10045000002	Padlocking Latch	1/4" to 1/8" (6.4 to 3.2 mm)
10045000006	Padlocking Latch	Flush to 1/2" (0.0 to 12.7 mm)
10045000008	Padlocking Latch	3/4" to 1-1/4" (19.0 to 31.8 mm)
10045000012	Padlocking Body	

Cylinder locks may be keyed alike or differently; 50 key changes available; please specify.

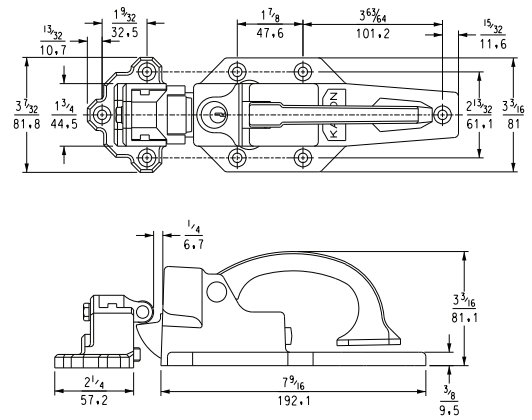
Two keys are furnished.

*A key number must be specified; 1-50.

**Strike sold separately.



0051 Cylinder Locking Latch



- Strong, economical latch features forged brass handle and strike housing
- Provides the ultimate corrosion resistance
- Micrometer strike for positive offset adjustments
- Stationary cylinder lock

Strike is included with all models.

Part No.	Description	Offset
10051S00002	Stationary Cylinder Locking Latch with Strike	-1/4" to 1/8" (-6.4 to 3.2 mm)
10051S00008	Stationary Cylinder Locking Latch with Strike	Flush to 1/2" (0.0 to 12.7 mm)
10051S00012	Stationary Cylinder Locking Latch with Strike	3/4" to 1-1/4" (19.0 to 31.8 mm)

Latch sold separately. For strikes see page 30.

10051S00006	Stationary Cylinder Locking Body
-------------	----------------------------------

Cylinder locks may be keyed alike or differently; 50 key changes available; please specify. Two keys are furnished.

Specifications

Material

High pressure die-cast zinc body, forged brass handle and strike housing

Finish

Polished chrome

Mounting

Holes drilled and countersunk for 1/4" (6.0 mm) screws

Packaging

1 per carton

Weight

Approx. 6 lb (2.7 kg) per carton

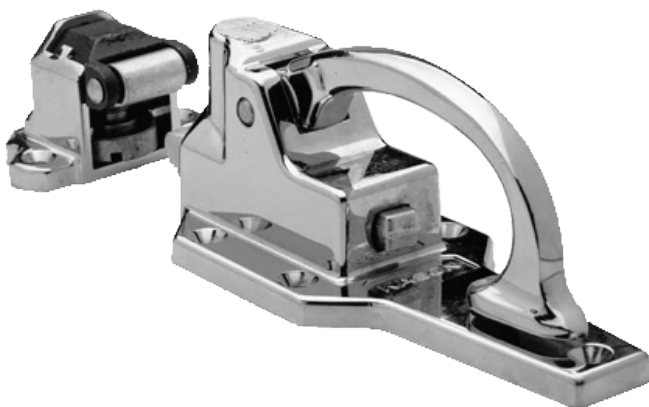
Locking Mechanism

Accepts Master #1 U Padlock with 5/16" shank

Warning

No. 0046 and 0051 latches cannot be opened from inside when locked, therefore they should not be used on doors which are sole means of exit from walk-ins. When safety latches are required, see Kason SafeGuard® latches in this section.

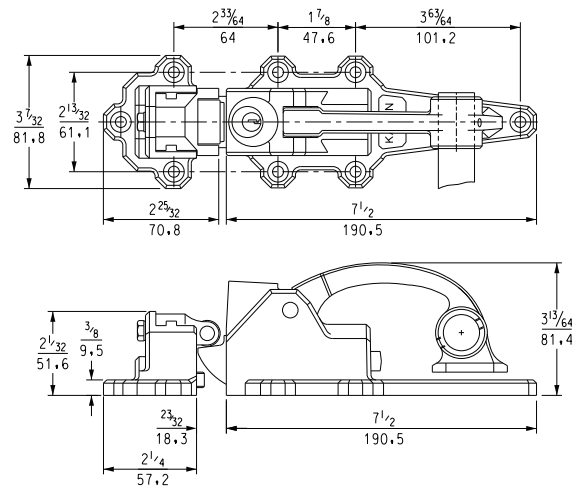
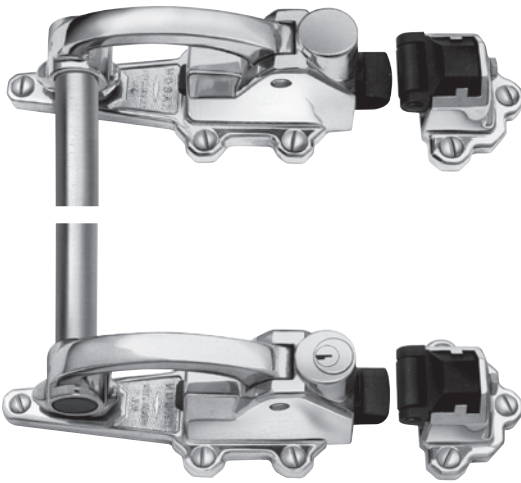
0046 Padlocking Latch



Same as No. 0051 latch with provision for padlock only.

Part No.	Description	Offset
10046000002	Padlocking Latch	1/4" to 1/8" (6.4 to 3.2 mm)
10046000008	Padlocking Latch	Flush to 1/2" (0.0 to 12.7 mm)
10046000012	Padlocking Latch	3/4" to 1-1/4" (19.0 to 31.8 mm)





- Heavy-duty, two-point locking latch with stationary cylinder
- For long doors and Heavy-Duty applications
- Provides the ultimate corrosion resistance

Part No.	Description	Offset
15050S50002	Stationary Cylinder, 50" Rod	-1/4" to 1/8" (to 6.4 to 3.2 mm)
15050S50008	Stationary Cylinder, 50" Rod	3/4" to 1-1/4" (19.0 to 31.8 mm)
15050S50012	Stationary Cylinder, 50" Rod	Flush to 1/2" (0.0 to 12.7 mm)

95050004745000 tube sold separately, for use on all 4545, 4646, 5050, and 5151 latches.

Cylinder locks may be keyed alike or differently; please specify. Two keys are furnished. Upper and lower latches may be ordered separately.

Specifications

Material

Forged brass body, handle and strike housing, forged steel tongue, malleable iron strike insert, stainless steel tube

Finish

Latches polished chrome

Mounting

Holes drilled and countersunk for 1/4" (6.0 mm) screws

Rod Size

7/8" (22.2 mm) dia.; 50-1/4" (1276.4 mm) length (other lengths available to specification)

Packaging

1 per carton

Weight

Approx. 8.5 lb (3.9 kg) per carton

Locking Mechanism

Accepts Master #1 L Padlock with 5/16" shank

Warning

No. 4545, 4646, 5050 and 5151 latches cannot be opened from inside when locked, therefore they should not be used on doors which are sole means of exit from walk-ins. When safety latches are required, see Kason SafeGuard® latches in this section.

4545 Two-Point Cylinder Locking Latch

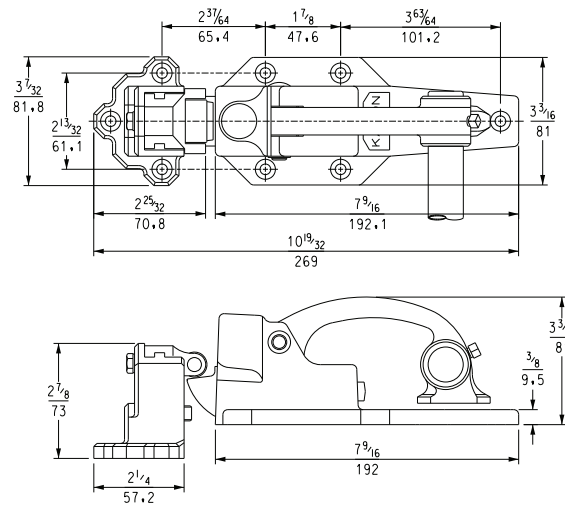
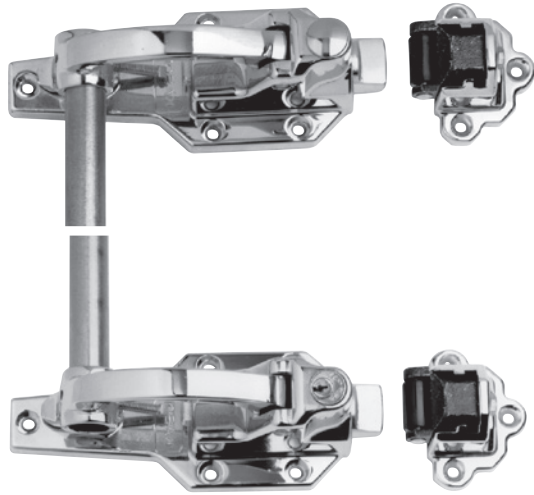
Part No.	Description	Offset
14545000002	Double Latch	-1/4" to 1/8" (to 6.4 to 3.2 mm)
14545000006	Double Latch	Flush to 1/2" (0.0 to 12.7 mm)
14545000008	Double Latch	3/4" to 1-1/4" (19.0 to 31.8 mm)

95050004745000 tube sold separately, for use on all 4545, 4646, 5050, 5151 latches.

Cylinder locks may be keyed alike or differently; please specify. Two keys are furnished. Upper and lower latches may be ordered separately.



5151 Two-Point Cylinder Locking Latch



- Heavy-duty latch with stationary cylinder lock
- Provides the ultimate corrosion resistance

Part No.	Description	Offset
15151S00002	Stationary Cylinder	-1/4" to 1/8" (to 6.4 to 3.2 mm)
15151S00008	Stationary Cylinder	3/4" to 1-1/4" (19.0 to 31.8 mm)
15151S00012	Stationary Cylinder	Flush to 1/2" (0.0 to 12.7 mm)

95050004745000 tube sold separately, for use on all 4545, 4646, 5050, and 5151 latches.

Cylinder locks may be keyed alike or differently; please specify. Two keys are furnished. Upper and lower latches may be ordered separately.

Specifications

Material

High pressure die-cast zinc body, forged brass handle and strike housing, forged steel tongue, malleable iron strike insert, stainless steel tube

Finish

Latches polished chrome

Mounting

Holes drilled and countersunk for 1/4" (6.0 mm) screws

Rod Size

7/8" (22.2 mm) dia.; 50-1/4" (1276.4 mm) length
(other lengths available to specification)

Packaging

1 per carton

Weight

Approx. 8.5 lb (3.9 kg) per carton

Locking Mechanism

Accepts Master #1 U Padlock with 5/16" shank

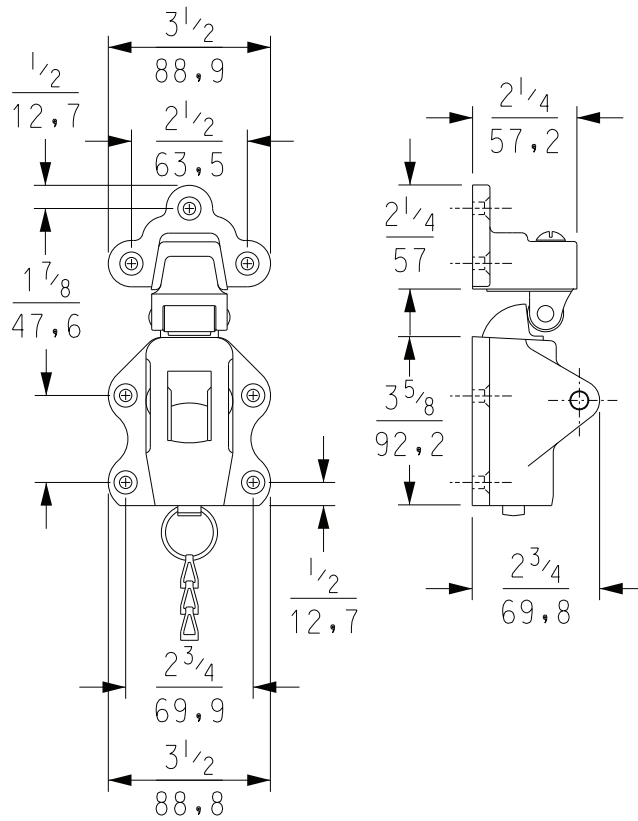
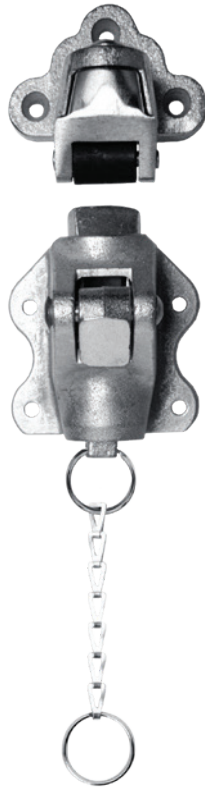
Warning

No. 4545, 4646, 5050 and 5151 latches cannot be opened from inside when locked, therefore they should not be used on doors which are sole means of exit from walk-ins. When safety latches are required, see Kason SafeGuard® latches in this section.

4646 Two-Point Padlocking

Heavy-duty latch similar to No. 5151 with padlocking provision only.

Part No.	Description	Offset
14646050002	Padlock, 50" Rod	1/4" to 1/8" (6.4 to 3.2 mm)
14646050008	Padlock, 50" Rod	3/4" to 1-1/4" (19.0 to 31.8 mm)



The 0049 Dutch Latch is a finger-pull iron latch.

Part No.	Description	Offset
10049000004	Latch	Flush
10049000012	Latch	$3/4"$ to $1-3/8"$ (19.0 to 34.9 mm)
10049000020	Body	

Specifications

Material

Cast iron body and strike

Finish

Kasonized (Zinc plated)

Mounting

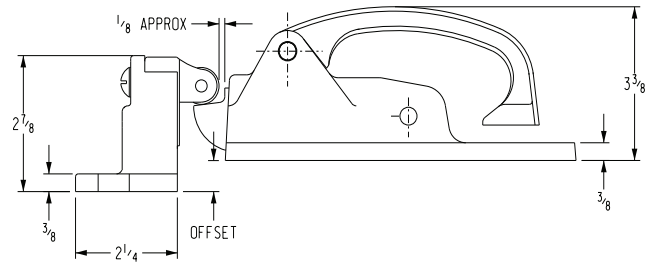
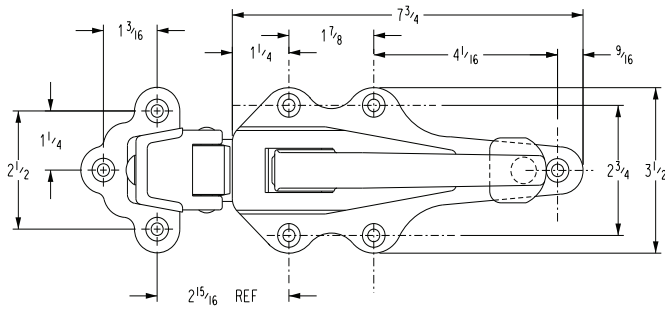
Holes drilled and countersunk for $1/4"$ (6.0 mm) screws

Offset

See table for details



0052 Iron Padlocking Latch



Bolt-action latch with padlock provision is designed for medium sized walk-in cooler doors.

Part No.	Description	Offset
10052000004	Padlocking Latch	-1/8" to 5/16" (-3.2 to 7.9 mm)
10052000012	Padlocking Latch	3/4" to 1-3/8" (19.0 to 34.9 mm)
10052000076	Padlocking Body	
10052000084	Strike	-1/8" to 5/16" (-3.2 to 7.9 mm)
10052000092	Strike	3/4" to 1-3/8" (19.0 to 34.9 mm)

Specifications

Material

Cast iron body and strike

Finish

Kasonized (Zinc plated)

Mounting

Holes drilled and countersunk for 1/4" (6.0 mm) screws

Offset

See table for details

Packaging

1 per carton

Weight

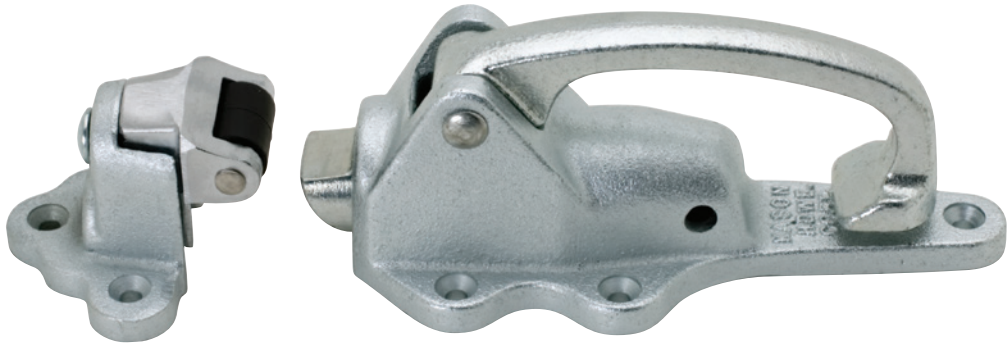
Approx. 5.75 lb (2.6 kg) per carton

Locking Mechanism

Accepts Master #1 U Padlock with 5/16" shank

Warning

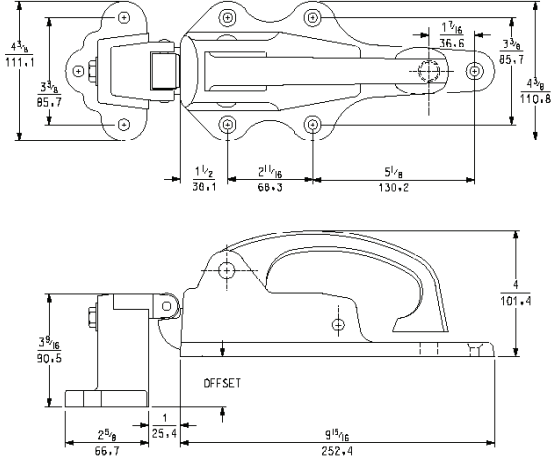
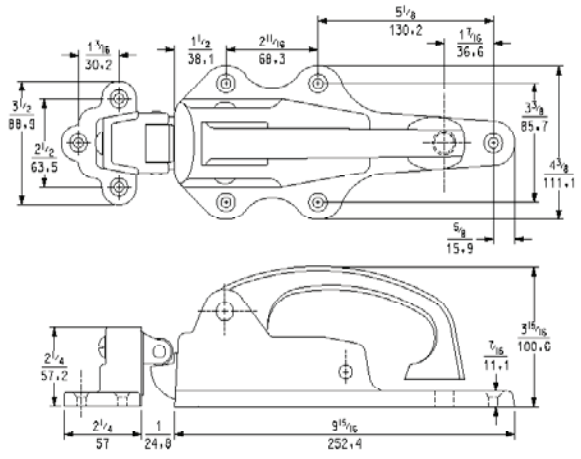
No. 0052 and 0053 latches and 0049 Dutch latch cannot be opened from inside when locked, therefore they should not be used on doors which are sole means of exit from walk-ins. When safety latches are required, see Kason SafeGuard® latches in this section.



Larger, padlocking bolt action latch is designed for use on large walk-in doors.

0053-4

0053-8



Specifications

Material
Cast iron body and strike housing, malleable iron handle

Finish
Kasonized (Zinc plated)

Mounting
Body drilled and countersunk for 1/4" (6.0 mm) screws.
Strike drilled for 5/16" (8.0 mm) lag screws

Offset
See order information

Packaging
1 per carton

Weight
Approx. 9.75 lb (4.4 kg) per carton

Locking Mechanism
Accepts Master #1 U Padlock with 5/16" shank

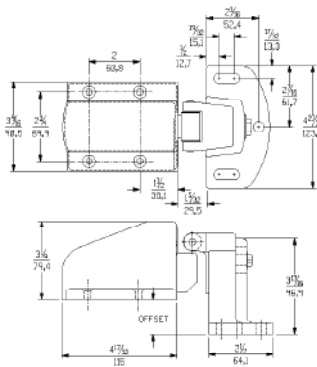
Warning
No. 0052 and 0053 latches and 0049 Dutch latch cannot be opened from inside when locked, therefore they should not be used on doors which are sole means of exit from walk-ins. When safety latches are required, see Kason SafeGuard® latches in this section.

Part No.	Description	Offset
10053000004	Padlocking Latch	-1/4" to 1/8" (-6.4 to 3.2 mm)
10053000008	Padlocking Latch	15/16" to 1-5/8" (23.8 to 41.3 mm)
10053000052	Padlocking Body	
10053000064	Strike	15/16" to 1-5/8" (23.8 to 41.3 mm)

© 2024 Kason Industries, Inc.
1123 LIT 001



0188 Two-Point Latch



- Two-point latch for in-fitting doors; standard-duty springs
- Latches mount on door, strikes on jamb
- Includes strikes, available in flush or 3/4" to 1-3/8" (19 to 35 mm) offsets
- Includes two pull handles

Specifications

Material

Steel body; aluminum cover and strike; high pressure die-cast zinc pull handles

Finish

Kasonized (Zinc plated)

Mounting

Latch drilled and countersunk for 1/4" (6.0 mm) screws

Packaging

1 per carton

Weight

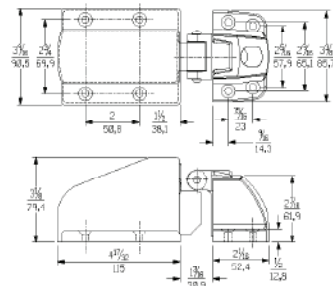
Approx. 6.5 lb (2.45 kg) per carton

Force

Holding force per pair or latches: approx. 50 lb (222 N)

Part No.	Description	Offset
1018800004	Latch	-1/8" to 1/4" (-3.2 to 6.4 mm)
1018800008	Latch	3/4" to 1-3/8" (19.0 to 34.9 mm)
1018800028	Body	
1018900044	Strike	3/4" to 1-3/8" (19.0 to 34.9 mm)
1005600T002	Strike	-1/8" to 1/4" (-3.2 to 6.4 mm)

0189 Two-Point Latch



- Two-point latch for in-fitting doors; heavy-duty springs
- Latches mount on door, strikes on jamb
- Includes strikes, available in flush offset. Offset strike available, but user must shim outside lever handle block
- Includes breakaway lever handles and plates for inside and outside to assist in door opening
- Includes two lever handles

Specifications

Material

Steel body; aluminum cover, strike and outside and inside handles; malleable iron offset block

Finish

Kasonized (Zinc plated)

Mounting

Latch drilled and countersunk for 1/4" (6.0 mm) screws

Packaging

1 per carton

Weight

Approx. 25 lb (11.4 kg) per carton

Force

Holding force per pair or latches: approx. 140 lb (623 N)
Lever handle release force: approx. 35 lb (156 N)

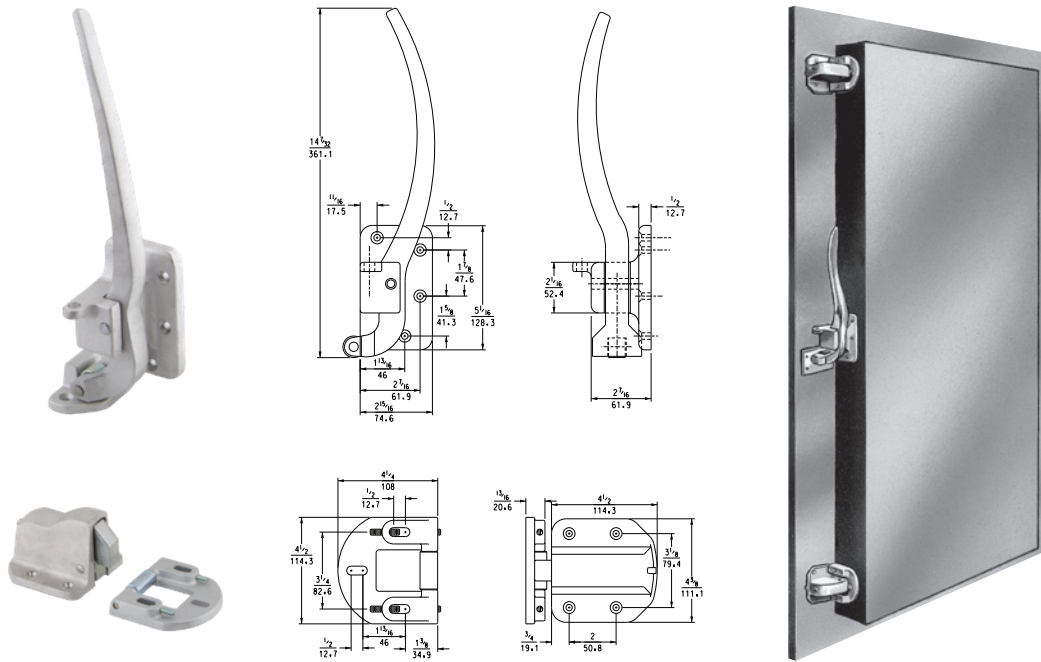
Part No.	Description	Offset
1018900004	Latch	-1/8" to 1/4" (-3.2 to 6.4 mm)
1018900024	Body	
1018900044	Strike	3/4" to 1-3/8" (19.0 to 34.9 mm)
1005600T002	Strike	-1/8" to 1/4" (-3.2 to 6.4 mm)

* Handle kit available separately.

0189 Release Handle



Part No.	Description
90189001100000K	Handle Assembly
90189001030042K	Outside Handle Block
	Inside Handle Block
9018900110KIT	Handle Kit - Unassembled parts



- Two-point latch for full overlap doors, offset of 4-1/2" (114.3 mm) or higher
- Latches mount on jamb, strikes on door edge
- Includes two slotted strikes for easy adjustment
- Includes breakaway lever handles and plates for inside and outside to assist in door opening

Part No.	Description
10199000004	Super Freezer Latch, Complete
10199000020	Super Freezer Body
10199000036	Horseshoe Strike
10199SS0052	Outer Release Handle
10199SS0068	Inner Release Handle

Specifications

Material

Aluminum

Finish

Kasonized (Zinc plated)

Mounting

Latch drilled and countersunk for 1/4" (6.0 mm) screws
Strike slotted for 5/16" (8.0 mm) lag screws

Packaging

1 per carton

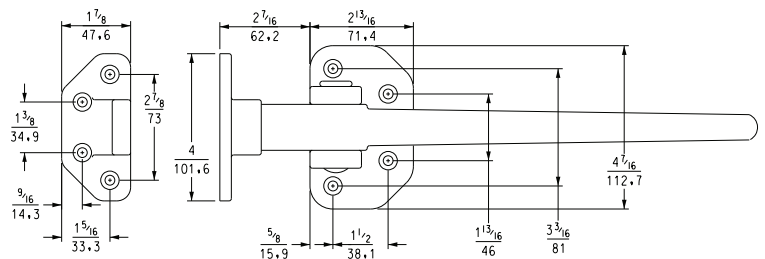
Weight

Approx. 11 lb (10.4 kg) per carton

Force

Holding force per pair or latches: approx. 120 lb (534 N).
Lever handle release force: approx. 30 lb (133 N)

0199 Inside Latch



Required with walk-in latches. Use the convenient tables in the "How To..." section on page 48 to choose and order the correct inside handle for each Kason latch selected.

0481 Safety-Glow Inside Release



- Glow-in-the-dark knob
- ADA Compliant

Specifications

Material

Steel rod and flange; Safety-Glow™ plastic knob

Finish

Kasonized (Zinc plated)

Mounting

Holes drilled for No. 10 (5.0 mm) screws

Packaging

24 per carton

Weight

Approx. 20 lb (9.1 kg) per carton

Temperature Range

-40°F to 150°F (-40°C to 65°C)

0482 Hi-Temp Inside Release



- Provided with steel rod and tough iron knob for high heat applications
- ADA Compliant

Specifications

Material

Steel rod and flange; iron knob

Finish

Kasonized (Zinc plated)

Mounting

Holes drilled for No. 10 (5.0 mm) screws

Packaging

24 per carton

Weight

Approx. 20 lb (9.1 kg) per carton

Temperature Range

-40°F to 500°F (-40°C to 260°C)

0481 Stainless Steel Safety-Glow Inside Release



- Glow-in-the-dark knob
- ADA Compliant

Specifications

Material

Stainless Steel rod and flange; Safety-Glow™ plastic knob

Mounting

Holes drilled for No. 10 (5.0 mm) screws

Packaging

24 per carton

Weight

Approx. 20 lb (9.1 kg) per carton

Temperature Range

-40°F to 150°F (-40°C to 65°C)

0487 Frost-Free Inside Release



- Furnished with low-conduction fiberglass rod for low-temp applications
- ADA Compliant

Specifications

Material

Fiberglass rod and plastic flange; Safety-Glow™ plastic knob

Mounting

Holes drilled for No. 10 (5.0 mm) screws

Packaging

24 per carton

Weight

Approx. 17 lb (7.7 kg) per carton

Temperature Range

-40°F to 150°F (-40°C to 65°C)



0486 Bumper Guard



- Mounts over existing 0486 wide inside release cup
- Rugged construction to protect inside release mechanism from damage
- Inside release sold separately

Specifications

Material

Cast Aluminum

Finish

Brushed Aluminum

Offsets

See order information

Mounting

Holes drilled and countersunk for #10 (5.0 mm) screws

Packaging

1 per carton

Weight

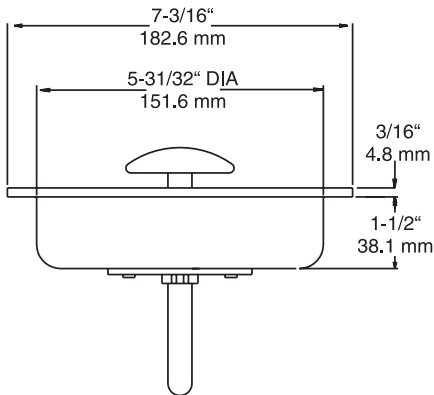
Approx. 6 lb (2.7 kg) per carton

0486-900



Part No.	Description
10486000900	Inside Release Cover

0486 Wide Recessed Handle



Specifications

Material

Kasonized zinc-plated steel rod and plate, plastic recessed housing, Safety-Glow™ plastic knob

Mounting

Holes drilled for No. 10 (5.0 mm) screws

Option

Available with frost-resistant fiberglass rod

Packaging

1 per carton

Weight

Approx. 6 lb (2.7 kg) per carton

Specifications (0486 *F Recessed Handle)

Material

Fiberglass rod, stainless steel plate, plastic recessed housing, Safety-Glow™ plastic knob.



Ideal for truck and shipboard use where cargo can contact handle.



Specifications

Material

Steel

Finish

Kasonized zinc-plated

Mounting

Holes drilled for No. 10 (5.0 mm) screws

Packaging

36 per carton

Weight

Approx. 30 lb (13.6 kg) per carton

0489 Narrow Recessed Handle



Specifications

Material

Kasonized zinc-plated steel rod and plate, plastic recessed housing, Safety-Glow™ plastic knob

Mounting

Holes drilled for No. 10 (5.0 mm) screws

Option

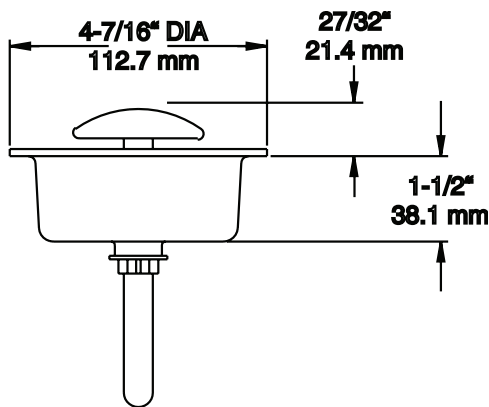
Available with frost-resistant fiberglass rod

Packaging

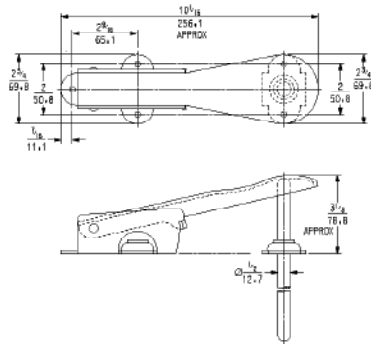
24 per carton

Weight

Approx. 18 lb (8.2 kg) per carton



0483 Paddle Handle Inside Release



Specifications

Material

Steel

Finish

Kasonized zinc-plated

Mounting

Holes drilled for No. 12 (5.5 mm) screws

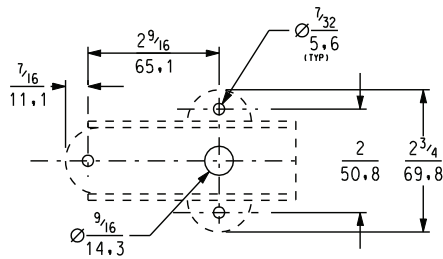
Packaging

10 per carton

Weight

Approx. 21 lb (9.5 kg) per carton

0055 Inside Release Latch



5582 SafeGuard® Freezer Latch



- For 0055 latch, inside release is included with the latch. To order a replacement, lever assembly and rod are sold separately
- 5582 has the same features and specifications as No. 0055, except uses fiberglass rod and neoprene washer as cold barrier and inside release is rubber-coated to minimize surface frosting. Designed to prevent accidental entrapment in walk-ins

How to Select and Order Inside Release Handles

1. From Table A choose the appropriate inside release handle for each latch.
2. Refer to Table B for minimum door thickness required for each inside release model.
3. Specify exact thickness of your door. We will use this information to convert your requirements into our part numbers.

Latches	Inside Release Handles
0045, 0046, 0050, 0051, 4545, 4646, 5050, 5151	0480, 0481B, 0482B, 0486B, 0487B, 0489B
0052, 0053	0481B, 0482B, 0486B, 0487B, 0489B
0055XXL	0486D, 0489D
0056, 5656	0480, 0483, 0481A, 0481SA, 0482A, 0486A, 0487A, 0488A, 0489A
0058, 0077, 0078, 0778	0481C, 0481SC, 0482C, 0486C, 0487C, 0488C, 0489C
5688	0488AG

Minimum Wall Thickness	Inside Release Handles
1/2" (12.7 mm)	0488A, 0488AG, 0488C
1-1/2" (38.1 mm)	0481C, 0481SC, 0482C, 0483, 0487C
2-1/2" (63.5 mm)	0481A, 0481SA, 0482A, 0487A
2.6875" (68.3 mm)	0486D
2-3/4" (69.9 mm)	0489D
3" (76.2 mm)	0481B, 0482B, 0486B, 0486C, 0487B
3-1/4" (82.6 mm)	0489B, 0489C
3-1/2" (88.9 mm)	0480
3-3/4" (95.3 mm)	0486A
4" (101.6 mm)	0489A

Caution

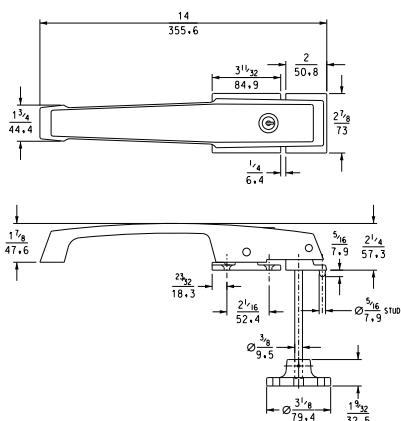
Proper selection and installation of Kason inside release handles can prevent entrapment inside coolers, freezers and other walk-in units when used with the appropriate Kason latches. Please select carefully for the application and use only as directed.

Part No.	Description
90055000040	Lever Assembly, Zinc-plated
90055000041	Lever Assembly, Chrome-plated
90055000192	Push Rod 7-7/8" Zinc-plated
90582000040	Lever Assembly, Rubber Coated
95582000000	Push Rod 7-7/8" Fiberglass

1236 SafeGuard® Heavy-Duty Lever Locking Handle



© U.S. Trademark 2,380,550



- Powerful lever action easily overcomes high strength magnetic seals and freeze frosted doors
- Cylinder lock and padlock provision are standard for added security
- Fully concealed mounting discourages tampering
- Complete with inside release mechanism
- Handle end will not strike door face
- Interchangeable with competitive models

Part No.	Description	Finish
11236C00004	Handle with Lever Turn Release	Brushed Chrome
11236C00005	Handle with Lever Turn Release	Polished Chrome
11236C00006	Handle with Knob Turn Release	Polished Chrome
91232C02420054	Cylinder Kit	

Kason No. 1236 lever locking handle comes complete with 90° turn inside release mechanism. Select lever or knob turn inside handle

Specifications

Material

High pressure die-cast zinc

Finish

See table below

Mounting

Holes drilled and countersunk for 1/4" (6.0 mm) screws

Inside Release

90° turn inside release mechanism; choice of lever or knob style handle

Packaging

6 per carton

Weight

Approx. 26 lb (12 kg) per carton

Locking Mechanism

Accepts Master #1 LJ Padlock with 5/16" shank

1238 Knob Release



1239 Lever Release



Safety-Glow Push Panel



- Kason unlocked pull and lever handles release from inside with push of door. "PUSH" panel provides reminder and can prevent accidental misuse of inside release handle
- Printed on waterproof, sanitary polypropylene
- Mounts inside door with 1/8" (3.2 mm) pop rivets
- Glow-in-dark message is visible in room light or darkness

Part No.	Description	Pkg./Carton
91229000161	Safety Push Panel	24



1229 SafeGuard® Handle Series



- Fully door-mounted to assure locking regardless of door sag
- Complete with revolutionary high strength, low maintenance inside safety release system
- Installs on either right or left opening door with no modification
- Handle is furnished with screw hole plugs for tamper-resistance
- Freezer Kit available for low temperature application. Low temperature grease with insulation cup*
- Stainless Steel Handle available

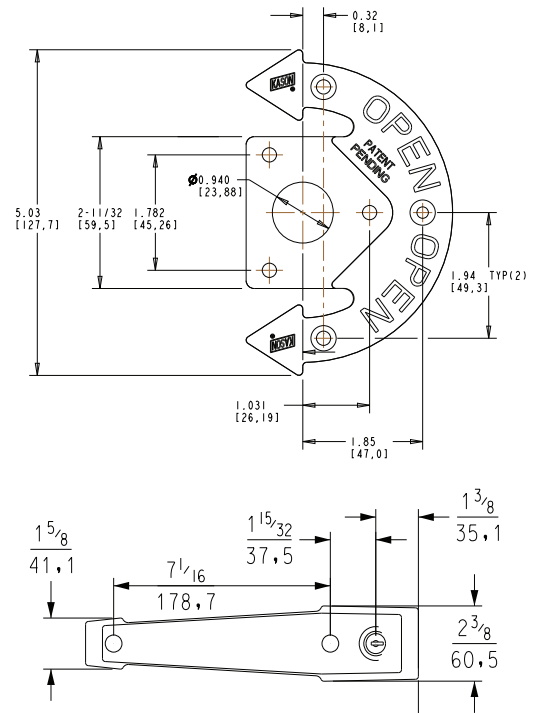
Freezer Kit

*Kit consists of plastic cap to cover rod, gasket for handle flange and special instructions for low temperature installations. Application of the specified low-temp grease seals the unit to prevent accumulation of moisture.

Part No.	Description	Finish	Qty./ Carton	Wgt./ Carton
11229C00024	Cylinder Locking with Inside Release	Brushed Chrome	4	10.3 lb (4.7 kg)
11229C00025	Cylinder Locking with Inside Release	Polished Chrome	4	10.3 lb (4.7 kg)
11229C00028	Cylinder Locking with Inside Release & Freezer Kit	Brushed Chrome	4	10.3 lb (4.7 kg)
11229C00029	Cylinder Locking with Inside Release & Freezer Kit	Polished Chrome	4	10.3 lb (4.7 kg)
11229000004	Non-locking Handle	Brushed Chrome	4	8.3 lb (3.8 kg)
11229000005	Non-locking Handle	Polished Chrome	4	8.3 lb (3.8 kg)
11229000370094	Non-locking Handle	Stainless Steel	4	8.3 lb (3.8 kg)
11229C0002865	Cylinder Locking with Inside Release & Freezer Kit	Brushed Chrome	4	*
11229C0002965	Cylinder Locking with Inside Release & Freezer Kit	Polished Chrome	4	*
10948000006	Freezer Kit			

Cylinder locks may be keyed alike or differently; 5 Key changes available; please specify.

90171CM000411	Cylinder Kit #411
90171CM000414	Cylinder Kit #414



Specifications (Pull Handle)

Material

High pressure die-cast zinc

Finish

See table below

Mounting

Drilled and countersunk for 1/4" (6.0 mm) fillister head or No. 12 (5.0 mm) self-tapping screws

Specifications (Inside Release)

Material

Metal hub and flange, stainless steel arm and bolt, nylon shaft, polypropylene strike

Mounting

Holes drilled and countersunk for No. 10 (5.0 mm) flat-head screws

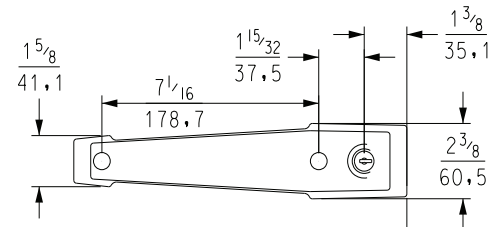
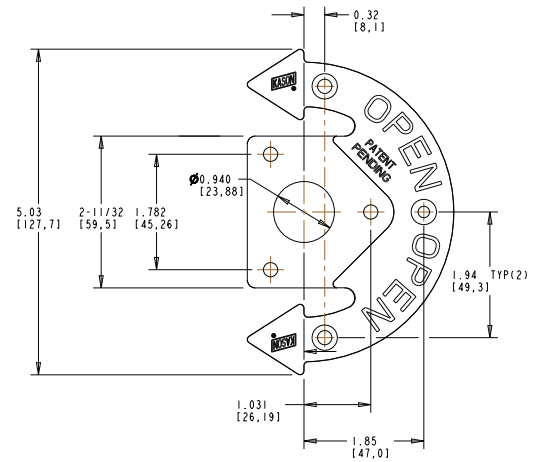
Shaft Lengths

Standard lengths for door thickness from 3-1/2" to 4" (88.9 mm to 101.6 mm). Please specify door thickness. Custom lengths available to specification. Minimum wall thickness 2-1/4" (57 mm)





© Trademark 2,166,710; 5,272,931
U.S. Patent D959,218



- Rugged, sanitary 316 stainless steel handle for use on walk-in coolers/freezers
- Both locking and non-locking model available in satin finish
- Cylinder locking model uses a 0948 Inside Release for emergency egress
- Can be locked and unlocked from inside the enclosure
- System functions regardless of door sag
- Standard order includes optional freezer kit

Specifications

Material

Handle: 316 Stainless steel, satin finish
 Hole Plug: Brass, chrome plated
 Locking Cylinder: Zamak #3, SAE #903, with stainless scalp and brass tumblers inside release
 Shaft: Zamak #3, SAE #903 bearing, washer
 Connecting Rod: Nylon
 Mounting Flange: Zamak #3, SAE #903 locking lever, washer, center screw
 Ball and Spring: 300 series stainless steel
 Body: Polycarbonate, FG/filled
 Strike Plate: Polypropylene
 Freezer Cap: Polyethylene

Mounting

Holes drilled and countersunk for No. 10 (5.0 mm) flat-head screws

Temperature Range

-30°F to 150°F (-34.4°C to 65.5°C)

Shaft Lengths

Standard lengths for door thickness from 3-1/2" to 4" (88.9 mm to 101.6 mm). Please specify door thickness. Custom lengths available to specification. Minimum wall thickness 2-1/4" (57 mm)

Part No.	Description	Finish	Qty./Carton	Wgt./Carton
11229S00004	Non-Locking Pull Handle, Satin	Stainless Steel	4	9.5 lb (4.3 kg)
11229SC0024XX	Cylinder Locking Pull Handle with 0948 Inside Release for 4" Door, Satin	Stainless Steel	4	12.9 lb (5.9 kg)
90948001150117	6" Rod for Thick Door	Nylon	1	0.024 lb (0.01 kg)

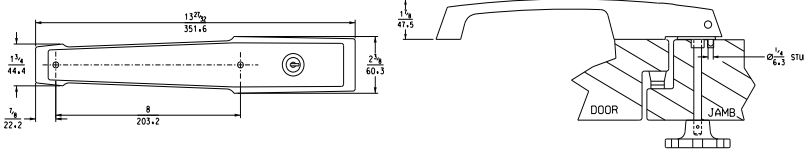
Cylinder locks may be keyed alike or differently; 5 Key changes available; please specify.



1238/1239 SafeGuard® Pacesetter Locking Handles



© U.S. Trademark 2,692,451; 2,380,550
 0485 QTLC ISR:
 U.S. Patent No. D818,644 S; 11,261,628



- Unbreakable pull handles for trouble-free service
- Cylinder lock and padlock provision standard
- Complete with inside safety release mechanism
- Tamper-resistant screw hole plugs included
- Original trademarked Kason design
- 1238: Twist-off glow in the dark knob disassembly type inside release
- 1238: U.S. Trademark 2,380,550
- 1239: 90° lever turn mechanism inside release
- 1239: U.S. Trademark 2,692,451

Part No.	Description	Finish
11238CV0004	Cylinder Locking with Twist-off Knob Release, No Panel	Brushed Chrome
11238CV0005	Cylinder Locking with Twist-off Knob Release, No Panel	Polished Chrome
11238C00004	Cylinder Locking with Twist-off Knob Release, Textured Panel	Brushed Chrome
11238C00005	Cylinder Locking with Twist-off Knob Release, Textured Panel	Polished Chrome
11238CQ0004	Cylinder Locking with Quarter Turn Low Conduction Inside Release	Brushed Chrome
11238CQ0005	Cylinder Locking with Quarter Turn Low Conduction Inside Release	Polished Chrome
11239CV0004D	Cylinder Locking with Twist-off Knob Release, No Panel	Brushed Chrome
11239CV0005	Cylinder Locking with Lever Turn Release, No Panel	Polished Chrome
11239CVF004	Cylinder Locking with Twist-off Knob Release, No Panel	Brushed Chrome
11239CVF005	Cylinder Locking with Twist-off Knob Release, Textured Panel	Polished Chrome
11239C00004D	Cylinder Locking with Lever Turn Release, Textured Panel	Brushed Chrome
11239C00005	Cylinder Locking with Lever Turn Release, Textured Panel	Polished Chrome
Measured to 4" wall. Contact Kason customer service for other wall thicknesses.		
91232C02420054	Cylinder Replacement Kit	

Specifications

Material

High pressure die-cast zinc

Finish

See table below

Offset

Flush

Mounting

Holes drilled and countersunk for 1/4" (6.0 mm) screws

Packaging

4 per carton

Weight

Approx. 14 lb (6.4 kg) per carton

Inside Releases

Die-cast lever or glowing plastic twist knob

Other

Use with right- or left-hand door

Locking Mechanism

Accepts Master #1 LJ Padlock with 5/16" shank

1238 Twist-off Knob Release

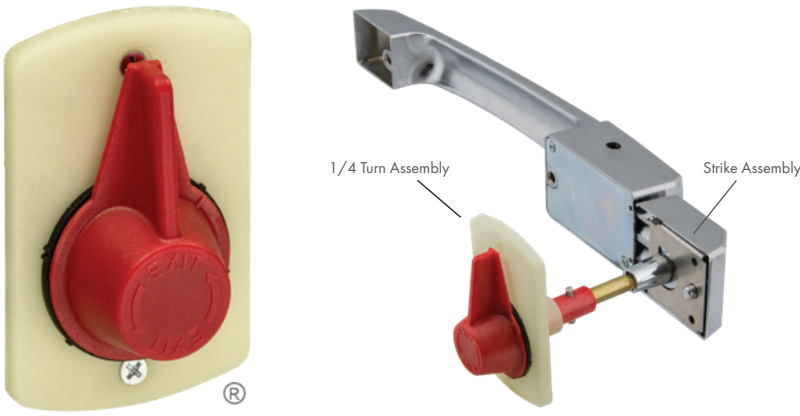


1239 Lever Release

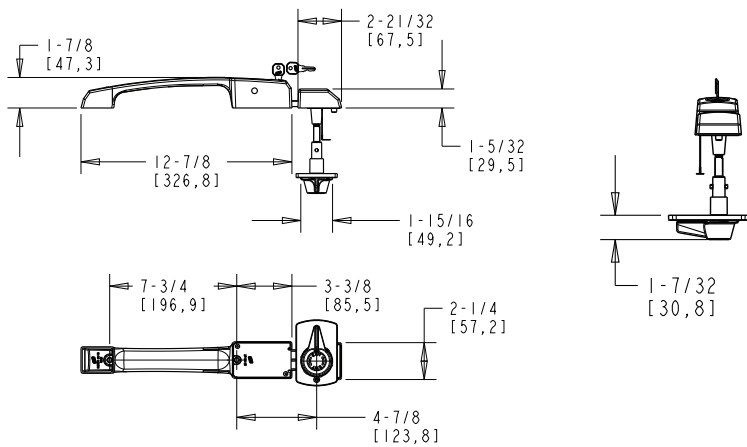


0485 Quarter Turn Low Conduction Inside Release (ADA Compliant)





© U.S. Trademark 5,760,309
U.S. Patent No. D-813,644; 6,252,788



- Prevents entrapment in walk-in coolers and freezers
- Occupants can exit easily and quickly by using the quarter turn lever, should the door be locked from the outside
- Meets ADA requirements for emergency egress
- Large glow in the dark surface provides better visibility in lowlight or emergency situations
- Accommodates up to 3/8" jamb thickness variation (or selfadjusting to accommodate various wall thicknesses)
- Thermal break separates the brass rod from the cold zone of freezer to eliminate sweating on the strike
- Inside mechanism permanently mounts inside jamb
- Includes alignment plate for outside strike to maintain proper alignment in field
- Tethered connection included for outside strike lock mechanism
- Shorter lever than previous quarter turn levers; does not protrude into door opening after actuation
- Retrofit adaptation available for all flush installations of 0027 latch

ADA Compliant Inside Release

- Optional quarter-turn inside release lever makes for easy, quick exit
- Self adjusts to wall thickness variations
- See options for low conduction and use on offset doors

Specifications

Material

Strike: Die cast zinc, polished chrome, brushed chrome, or powder coat paint
Alignment Plate: Aluminum
Gasket: Foam Rubber
Base Plate: Polypropylene
Hole plug: ABS
Rod: Brass
Lever: Polycarbonate
Pins: Stainless steel

Packaging

4 per carton

Weight

Approx. 0.8 lb (362.8 gm) each

Part No.	Description	Wall Thickness	Finish
1002700294C400	Quarter Turn Low Conductivity Inside Release and Strike	4"	Chrome
1002700294D400	Quarter Turn Low Conductivity Inside Release and Strike	4"	Brushed Chrome
10485000990117	Spacer, 1/4"	NA	ABS, White
90485018270400	Quarter Turn Low Conductivity Inside Release Arm Assembly Only	4"	NA
9002700041C	Quarter Turn Low Conductivity Strike Assembly	NA	Chrome

© 2024 Kason Industries, Inc.

1123 LIT 001



0027C SafeGuard® Deadbolt Locking Handle



© U.S. Trademark 5,760,309

1/4 Turn Inside Release:
U.S. Patent No. 9,068,376; 11,261,628

- Deadbolt security for walk-ins at the economy of a locking pull handle
- Compare total cost and function of this patented deadbolt latch

Easy Operation and Use

- Finger slide seats and opens deadbolt
- Deadbolt can be locked in open position
- Unlocked door easily pulls or pushes open

Top Form and Function

- Bold styling complements all popular Kason walk-in hinges
- User-friendly design ensures ideal door function when used with Kason hinges

Assured Security and Safety

- Deadbolt is secured using cylinder lock and/or padlock
- Features tamper-resistant screw hole plugs
- Standard, twist-off glow in the dark inside release knob prevents lock-ins
- Two quarter turn inside release options to meet ADA requirements for fast and simple activation to see page 53

Fast, Simple Installation

- Surface-mounts like a locking pull handle; no complex in-door installation
- Fits standard doors without modification

Saves Maintenance Costs

- Almost nothing to break or wear out assures long service life
- Locking mechanism located entirely on outside of panel resists freeze-up, even on extreme low-temp walk-ins

Offsets

- Standard latch is for flush doors but offset blocks are available to fit offset doors from 1/2" to 1-5/8"

Part No.	Description	Wall Thickness	Finish
10027C00031	Deadbolt Latch with Quarter Turn Low Conductivity Inside Release and Strike	6"	Chrome
10027C00034	Deadbolt Latch with Quarter Turn Low Conductivity Inside Release and Strike	4"	Chrome
10027C00035	Deadbolt Latch with Quarter Turn Low Conductivity Inside Release and Strike	4"	Brushed Chrome
10027C00037	Deadbolt Latch with Quarter Turn Low Conductivity Inside Release and Strike	5"	Brushed Chrome
10027C00038	Deadbolt Latch with Quarter Turn Low Conductivity Inside Release and Strike	5"	Chrome

Specifications (Latch)

Material

Die-cast Zamak handle housing, tongue and strike

Finishes

Polished chrome and brushed chrome

Packaging

4 per carton

Locking Mechanism

Accepts Master #1 LJ Padlock with 5/16" shank

Mounting

Drilled and countersunk for 1/4" (6.4 mm) fillister head screws

Specifications (Strike)

Material

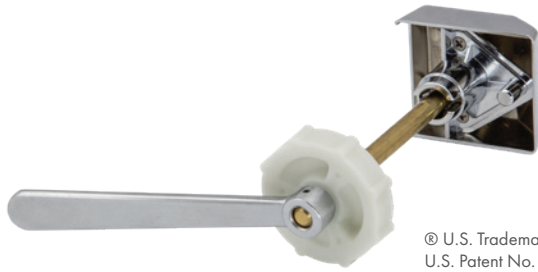
Die-cast Zamak housing, brass rod, glow in the dark turn-knob, or zinc quarter turn lever with glow expansion rings

Finishes

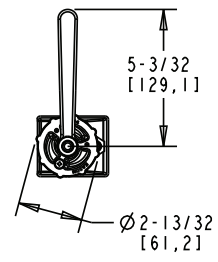
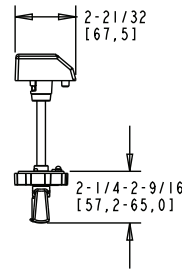
Housing same as latch

Flush offset and 4" thick wall standard. Other wall thicknesses are available. Contact Kason customer service for more information. 1-5/8" offset option listed in model number table; Available down to 1/2"





© U.S. Trademark 5,760,309
U.S. Patent No. 9,068,376



- No panic instant strike release
- One quarter turn lever cam-up and release action
- Unique rotary hub adjustment mechanism
- Accommodates up to 3/8" jamb thickness variation
- Glow in dark inside mechanism
- Retrofit adaptation for all 0027 Latch installations
- Meets ADA requirement for emergency egress
- NSF Listed product

Specifications (Latch)

Material

Strike: Die-cast zinc, polished chrome, brushed chrome, or powder coat paint
 Rotary Adjustment Mechanism: Polypropylene
 Rod: Brass
 Lever: Die-cast zinc, direct chrome
 Pins: Stainless steel

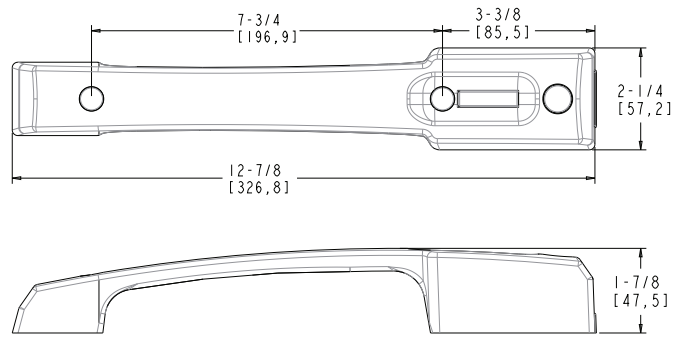
Packaging/Weight

12 per carton/0.8 lb (362.8 gm) each

Part No.	Description	Wall Thickness	Finish
10027000094	Inside Release Kit	4"	Polished Chrome
10027000095	Inside Release Kit	4"	Polished Chrome

Also sold complete with 0027 Handle

0027NL Handle



- Non-locking pull handle version of the 0027C Deadbolt Latch
- Available in multiple finishes including powder coat

Part No.	Description	Finish
10027NL000C	Handle with Plugs, No Lock	Chrome
10027NL000Y	Handle with Plugs, No Lock	Yellow with Antimicrobial Additive
10027NL000D	Handle with Plugs, No lock	Brushed Chrome

Specifications (Latch)

Material

Die-cast Zamak handle polypropylene plug

Finishes

Polished chrome, brushed chrome, and powder coated

Packaging

6 per carton

Mounting

Drilled and countersunk for 1/4" (6.4 mm) fillister head screws



0028 SafeGuard® Performer™ Locking Handle



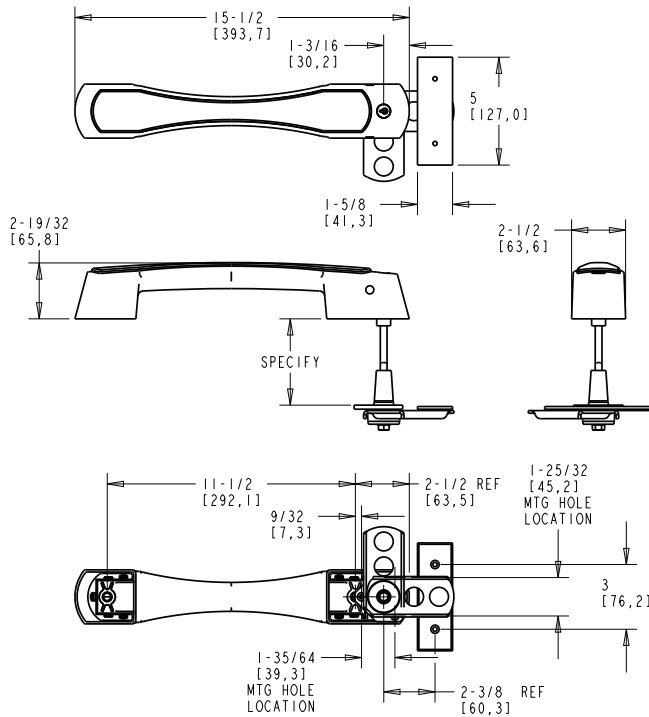
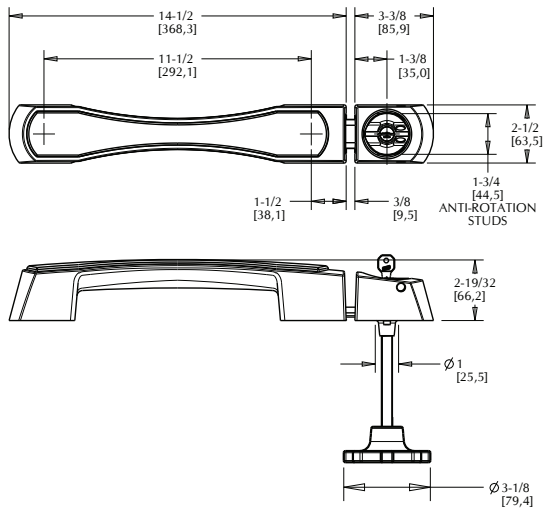
© U.S. Trademark 4,891,153
 U.S. Patent No. 7,484,390; 8,904,834
 1/4 Turn Inside Release:
 U.S. Patent No. 11,261,628

1228 SafeGuard® Performer™ Locking Handle

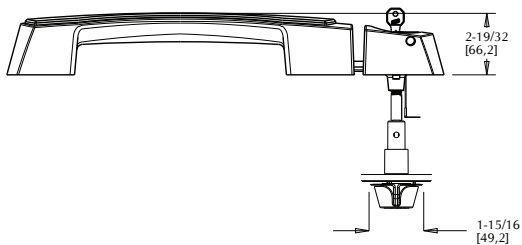


© U.S. Trademarks 4,650,622; 5,272,931
 U.S. Patent D959,218

Twist-off Inside Release



Low Conduction Inside Release



Advantages of the Performing Locking Handle

The 0028 and 1228 handles are supplied with Kason's proven and reliable inside release assemblies. This tough, secure locking handle offers the performance you expect from Kason hardware. The Performer deadbolt locking handle operates seamlessly with sag-proof 1345 or 1346 Performer hinges.

Easy Installation

Handle mounts to door with two fasteners. Deadbolt locking strike mounts to jamb with inside release.

Locking Handle Features

Strong

Molded, reinforced composite handle has tubular steel reinforcement for high strength.

Versatile

Surface mounts to work with any door construction. Grip cover conceals mounting hardware and acts as protective bumper. Cover can be customized with color change and corporate logo, based on volume commitment.

Strike Features

Strong

Steel reinforced strike pocket protects the door face and increases security.

Secure

Compact twist-action deadbolt key locks. Handle padlocks in keylocked or unlocked position. Twist-off glow in the dark knob inside release is standard.

Clean

Designed to keep dirt and debris from entering the internal locking mechanism.

Convenient

Kason has added a tether cable to hold the strike to the door jamb after inside handle is released.

Compliant

Meets NSF/ANSI Standard 2 for food equipment components.

Part No.	Description	Qty./ Carton	Wgt./ Carton
10028POG01802	Cylinder Locking Handle with Twist-Off Inside Release	4	9 lb (4 kg)
11228C00008	Cylinder Locking Handle with Quarter Turn Inside Release	4	8 lb (3.6 kg)
90056CM	Cylinder Kit		
5 key changes available. Please specify			

Specifications

Material

Heavy-duty steel tubular assembly with ABS composite covering provide optimum strength and durability. Locking strike features durable aluminum housing. Locking knob and tongue have durable ABS cover. The inside release has polycarbonate twist handle.

Finish

Molded dark grey with black accents standard. Custom shapes and colors available, based on volume commitment.

Offset

Flush

Mounting

Drilled for 5/16" (8 mm) screws

Locking Mechanism

Accepts 5/16" (8 mm) dia. shank Master #1U padlock (not included)

Door Thickness

Standard for 4" door. Other sizes available



Kason Hinge Selector

This Hinge Selector is to assist you in choosing the correct Kason hinges for commercial refrigeration, foodservice equipment, transportation, industrial and many other uses. The Load Chart, below, shows our recommended allowable load per two hinges for each hinge group.

The data applies for normal conditions under static loading by door weight only. Other factors, such as positive or negative pressure, very high gasket compression, vibration, corrosive or abrasive atmospheres, lubrication, cam life, or structural movement are not taken into account. It is the final responsibility of the users to determine the suitability and capacity required in their specific applications.

How to use this Chart

1. Locate the weight of your door in the far left column, headed Door Weight.
2. Find the width of your door along the bottom of the chart.
3. Where the Weight and Width column intersect, find the recommended hinge group code (A, B, etc.)
4. Select your hinges from the Kason Hinge Groups

NOTE: If exact dimensions and weight for your door is not shown, use the next higher width and weight.

Load Chart

		kg	lb																			
Door Weight	226.8	500	D	D	E	F	F	F	G	G	G	G	H	H	H	H	H	H	J	J	J	J
	217.7	480	D	D	E	F	F	F	G	G	G	G	H	H	H	H	H	H	J	J	J	J
	208.6	460	D	D	E	E	F	F	F	G	G	G	G	H	H	H	H	H	H	J	J	J
	199.5	440	D	D	D	E	F	F	F	G	G	G	G	G	H	H	H	H	H	H	J	J
	191/2	420	D	D	D	E	F	F	F	F	G	G	G	G	H	H	H	H	H	H	H	J
	181.4	400	D	D	D	E	E	F	F	F	G	G	G	G	G	H	H	H	H	H	H	H
	172.4	380	D	D	D	D	E	F	F	F	F	G	G	G	G	G	H	H	H	H	H	H
	163.3	360	D	D	D	D	E	E	F	F	F	G	G	G	G	G	G	H	H	H	H	H
	154.2	340	D	D	D	D	E	E	F	F	F	F	G	G	G	G	G	G	H	H	H	H
	145.2	320	C	D	D	D	D	E	E	F	F	F	F	F	G	G	G	G	G	G	H	H
	136.1	300	C	D	D	D	D	E	E	E	F	F	F	F	G	G	G	G	G	G	G	H
	127.0	280	C	D	D	D	D	D	E	E	F	F	F	F	F	G	G	G	G	G	G	H
	117.9	260	C	C	D	D	D	D	D	E	E	F	F	F	F	F	G	G	G	G	G	G
	108.9	240	C	C	D	D	D	D	D	D	E	E	F	F	F	F	F	F	G	G	G	G
	99.8	220	C	C	C	D	D	D	D	D	D	E	E	E	F	F	F	F	F	F	G	G
	90.7	200	B	C	C	D	D	D	D	D	D	D	E	E	E	F	F	F	F	F	F	F
	81.7	180	B	C	C	C	D	D	D	D	D	D	D	E	E	E	E	F	F	F	F	F
	72.6	160	B	B	C	C	C	D	D	D	D	D	D	D	D	E	E	E	E	F	F	F
	63.5	140	B	B	C	C	C	C	D	D	D	D	D	D	D	D	D	D	E	E	E	F
	54.4	120	B	B	B	C	C	C	C	C	D	D	D	D	D	D	D	D	D	NR	NR	NR
45.4	100	B	B	B	B	C	C	C	C	C	D	D	D	D	D	D	D	D	NR	NR	NR	
36.3	80	B	B	B	B	B	B	C	C	C	C	C	C	D	D	D	D	D	NR	NR	NR	
27.2	60	A	A	A	A	B	B	B	B	B	C	C	C	NR	NR	NR	NR	NR	NR	NR	NR	
18.1	40	A	A	A	A	A	A	A	A	B	B	B	B	NR	NR	NR	NR	NR	NR	NR	NR	
9.0	20	A	A	A	A	A	A	A	A	A	A	A	A	NR	NR	NR	NR	NR	NR	NR	NR	
	in.	12	15	18	21	24	27	30	33	36	39	42	45	48	51	54	57	60	63	66	69	72
	cm.	30.5	38.1	45.7	53.3	61.0	68.6	76.2	83.8	91.4	99.1	106.7	114.3	121.9	129.5	137.2	144.8	152.4	160.0	167.6	175.3	182.9
		Door Width																				

Hinge Groups

Group	Type	Max Moment (in.-lb)	Product Families
A	Reach-In	690	0139, 0209, 0211, 0212, 0213, 0214, 0215, 0225, 1070, 1216, 1216-13, 1219, 1247*, 1257*, 1267*, 1268*, 1269*, 1367R*, 1467R*
B	Reach-In	1200	0217, 0217S, 0218, 0220, 1070A, 1071, 1220, 1510, 1511, 1512, 1513, 1521, 1522, 1530, 1531, 1532, 1533, 1556
C	Reach-In	1980	1061, 1071A, 1247*, 1257*, 1267*, 1268*, 1269*, 1367R*, 1467R*, 1550
D	Walk-In	3990	1241, 1243, 1245, 1246, 1248, 1249, 1251, 1255, 1256, 1341, 1346**
E	Walk-In	4590	1074
F	Walk-In	6930	1037, 1055, 1214, 1240, 1409, 1345***
G	Walk-In	9900	0998, 1073, 1277, 1277L, 1277S, 1277T, 1278, 1278S, 1377L, 1377, 1398
H	Walk-In	15000	1075, 1076, 1275, 1276
J	Walk-In	18000	0094
NR			Not Recommended, consult factory

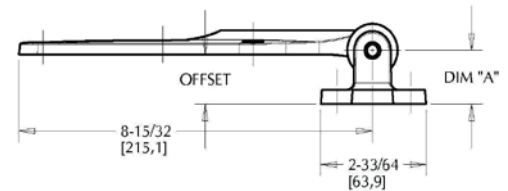
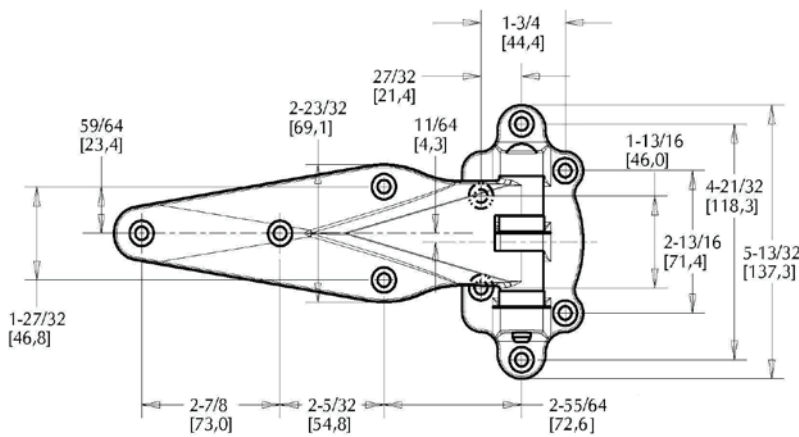
* Category A to maximize cam life and for spring versions. Reduce by 15 lb/hinge for spring option. Category C for safe static load option.

** Maximum 220 lb up to 36" wide; Maximum 2940 in-lb beyond 36"

*** Maximum 9,000 in-lb, max 300 lb



© U.S. Trademark: 5,923,905



- Forged brass provides the ultimate corrosion resistance
- Finest quality high strength brass material
- Rugged construction for long, dependable wear
- Engineered for smooth, easy door operation
- Designed to carry the heaviest doors
- Non-rising
- Order as left hinge or right hinge

Specifications

Material

Forged brass with stainless steel pin and nylon bearing washers

Finishes

Polished chrome

Offsets

See order information

Mounting

Holes drilled and countersunk for 1/4" (6.0 mm) screws

Load Rating

See Hinge Selector Chart, Page 41, Group F

Weight

Approx. 18 lb (8.2 kg) per carton

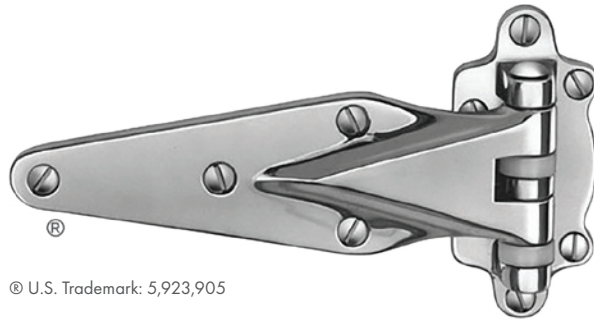
Part No.	Description	Offset	Dim. A	Qty./Carton
11037000003	Left-hand Hinge	Flush (0.0 mm)	31/32" (24.6 mm)	8
11037000004	Right-hand Hinge	Flush (0.0 mm)	31/32" (24.6 mm)	8
11037000043	Left-hand Hinge	1-3/8" (34.9 mm)	1-7/32" (30.9 mm)	6
11037000044	Right-hand Hinge	1-1/8" (28.6 mm)	1-7/32" (30.9 mm)	6

Other offsets available to specification. Minimum order required.

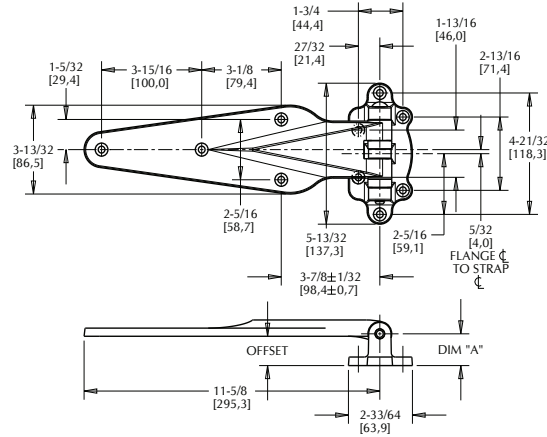
© 2024 Kason Industries, Inc.

1123 LIT 001

1055 Heavy-Duty Hinge



© U.S. Trademark: 5,923,905



Part No.	Description	Offset	Dim. A
11055000004	Hinge R.H.	Flush (0.0 mm)	31/32" (24.6 mm)
11055000005	Hinge L.H.	Flush (0.0 mm)	31/32" (24.6 mm)
11055000044	Hinge R.H.	1-1/8" (28.6 mm)	1-7/32" (30.9 mm)
11055000045	Hinge L.H.	1-1/8" (28.6 mm)	1-7/32" (30.9 mm)
11055000048	Hinge R.H.	1-1/4" (31.8 mm)	1-7/32" (30.9 mm)
11055000049	Hinge L.H.	1-1/4" (31.8 mm)	1-7/32" (30.9 mm)
11055000050	Hinge R.H.	1-5/16" (33.3 mm)	1-7/32" (30.9 mm)
11055000051	Hinge L.H.	1-5/16" (33.3 mm)	1-7/32" (30.9 mm)
11055000052	Hinge R.H.	1-3/8" (34.9 mm)	1-7/32" (30.9 mm)
11055000053	Hinge L.H.	1-3/8" (34.9 mm)	1-7/32" (30.9 mm)

Specifications (Latch)

Packaging

6 per carton

Load Rating

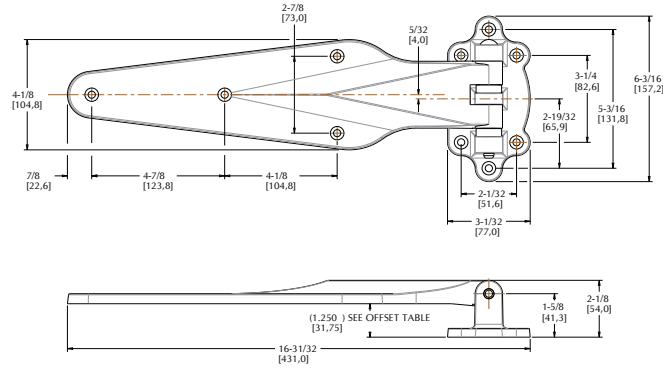
See Hinge Selector Chart, page 58, Group F

Weight

Approx. 20.3 lb (9.2 kg) per carton



®
© U.S. Trademark: 5,923,905



Part No.	Description	Offset
11073000004	Hinge R.H.	Flush (0.0 mm)
11073000005	Hinge L.H.	Flush (0.0 mm)
11073000016	Hinge R.H.	1-1/8" (28.6 mm)
11073000017	Hinge L.H.	1-1/8" (28.6 mm)
11073000020	Hinge R.H.	1-1/4" (31.8 mm)
11073000021	Hinge L.H.	1-1/4" (31.8 mm)
11073000024	Hinge R.H.	1-3/8" (34.9 mm)
11073000025	Hinge L.H.	1-3/8" (34.9 mm)
11073000028	Hinge R.H.	1.4375" (36.5 mm)
11073000029	Hinge L.H.	1.4375" (36.5 mm)

Specifications (Latch)

Packaging

2 per carton

Load Rating

See Hinge Selector Chart, page 58, Group G

Weight

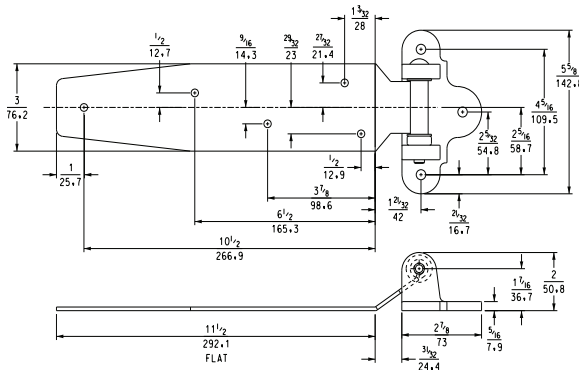
Approx. 11.5 lb (5.2 kg) per carton

Steel Strap Hinges



- Heavy-duty and durable
- Smooth action for coolers, freezers and cold storage doors
- Right hand hinge is standard. Easily reversible for left hand
- Non-rising

1074 Steel Strap Hinge



Specifications

Strap Length

13-5/8" (346.1 mm)

Mounting

Strap and flange drilled for 3/8" (9.5 mm) lag screws (not included)

Load Rating

See Hinge Selector Chart, Page 58, Group H

Packaging

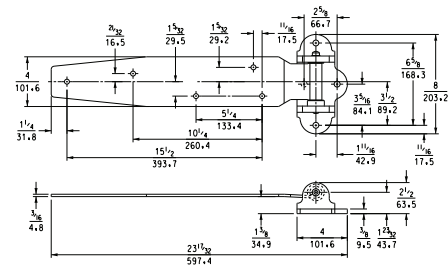
2 per carton

Weight

Approx. 16.5 lb (7.5 kg) per carton

Part No.	Description	Offset
11074000008	Hinge R.H.	Flush (0.0 mm)
11074000020	Hinge R.H.	1-1/8" (28.6 mm)

1075 Heavy-Duty Steel Strap Hinge



Specifications

Strap Length

21" (533.4 mm)

Packaging

2 per carton

Mounting

Strap and flange drilled for 3/8" (9.5 mm) lag screws (not included)

Load Rating

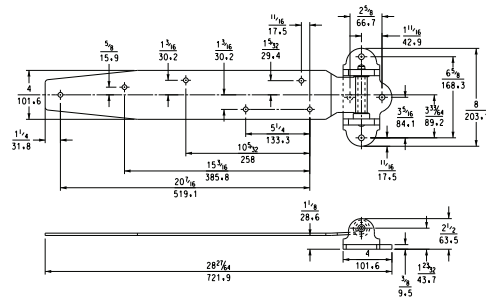
See Hinge Selector Chart, page 58, Group H

Weight

Approx. 16.5 lb (7.5 kg) per carton

Part No.	Description	Offset
11075000004	Hinge R.H.	Flush (0.0 mm)
11075000016	Hinge R.H.	1-1/8" (28.6 mm)
11075000020	Hinge R.H.	1-1/4" (31.8 mm)
11075000024	Hinge R.H.	1-3/8" (34.9 mm)

1076 Extra Heavy-Duty Steel Strap Hinge



Specifications

Strap Length

26" (660.4 mm)

Mounting

Strap and flange drilled for 3/8" (9.5 mm) lag screws (not included)

Load Rating

See Hinge Selector Chart, page 58, Group H

Packaging

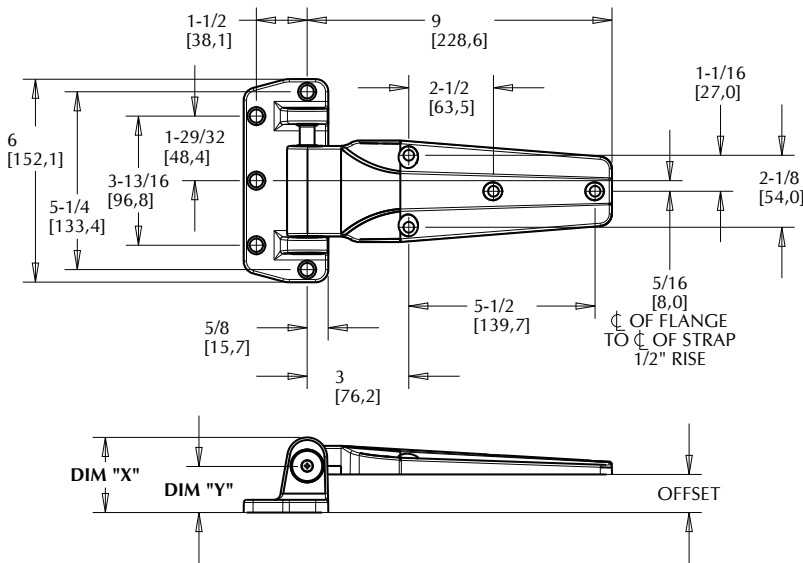
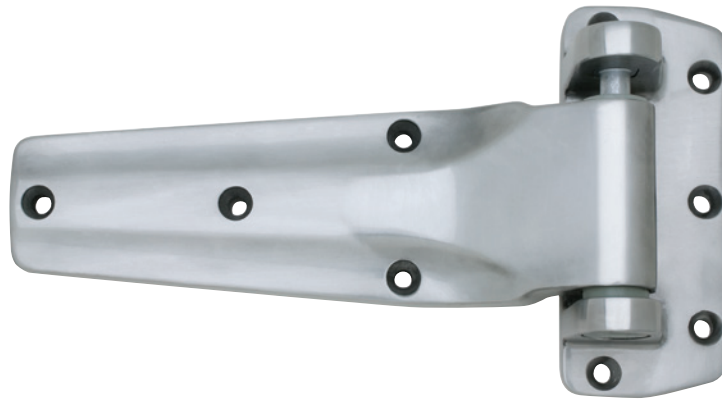
2 per carton

Weight

Approx. 18 lb (8.2 kg) per carton

Part No.	Description	Offset
11076000016	Hinge R.H.	1-1/8" (28.6 mm)
11076000020	Hinge R.H.	1-1/4" (31.8 mm)
11076000024	Hinge R.H.	1-3/8" (34.9 mm)

1240 Aluminum Hinge



- Rugged through-pin hinge is engineered to minimize play and door sag
- Built-in cam gently raises the opening door to reduce friction and gasket wear and holds open dwell beyond 150°
- Furnished right hand; can be reversed

Specifications

Material

High pressure die-cast aluminum; nylon cam and follower

Finishes

See order information below

Offsets

See order information below

Packaging

6 per carton

Mounting

Drilled and countersunk for 1/4" (6.0 mm) flat-head screws (not included)

Load Rating

See Hinge Selector Chart, page 58, Group F

Weight

Approx. 10-1/2 lb (4.7 kg) per carton

Offset	Dim. "X"	Dim. "Y"
Flush	2.22"	1-3/8"
1-1/8"	2.22"	1-3/8"
1-1/4"	2.22"	1-1/2"
1-3/8"	2.22"	1-5/8"
1-5/8"	2.72"	1-7/8"
1-7/8"	2.72"	2-1/8"

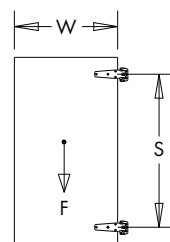
Part No.	Description	Offset	Finish
11240000016	Hinge, R.H.	1-3/8" (34.9 mm)	Powder Coat/Silver finish
11240000020	Hinge, R.H.	Flush (0.0 mm)	Polished Aluminum
11240000024	Hinge, R.H.	1-1/8" (28.6 mm)	Polished Aluminum
11240000028	Hinge, R.H.	1-1/4" (31.8 mm)	Polished Aluminum
11240000032	Hinge, R.H.	1-3/8" (34.9 mm)	Polished Aluminum



1241 Heavy-Duty Double Knuckle Hinge



© U.S. Trademark 2,277,203



W = Door width, inch (meters)
 F = Door weight, lb (N)
 M = Moment on hinge, in/lb (N.m)
 $= F \times W/2 = 3990 \text{ in/lb (450 N.m)}$
 S = Suggested hinge spacing
 $= 1.5 W$

- Heavy-duty, double knuckle, non-rise hinge engineered for maximum structural strength
- Ribbed underside construction reduces weight and ensures rugged, no sag dependability
- Available in flush (0.0 mm) or 1-1/8" (28.6 mm) offset
- Left or right hand door application

Specifications

Strap Length

9" (228.6 mm)

Material

High pressure die-cast zinc with stainless steel pin and nylon bearings

Finishes

Polished chrome

Mounting

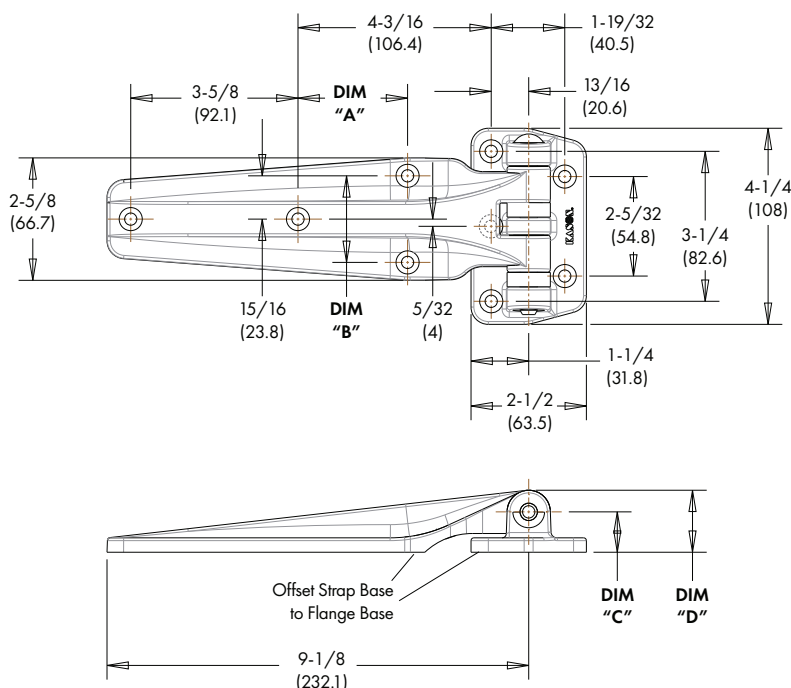
Holes drilled and countersunk for 1/4" (6.0 mm) screws (not included). Strap available with three different mounting hole locations; refer to dimensions A and B on drawings

Temperature Range

-20°F to 140°F (-28.9°C to 60°C)

Load Rating

See Hinge Selector Chart, page 58, Group D



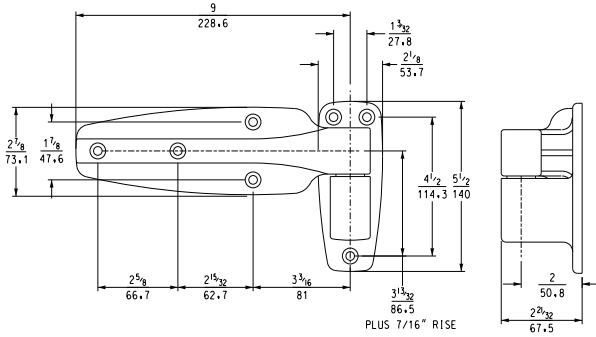
Part No.	Description	Offset	Dim. A	Dim. B	Dim. C	Dim. D	Qty./Carton	Wgt./Carton
11241000003	Hinge, L.H.	Flush (0.0 mm)	2-3/8" (60.3 mm)	1-7/8" (47.6 mm)	7/8" (22.2 mm)	1-11/32" (34.1 mm)	8	20 lb (8.1 kg)
11241000004	Hinge, R.H.	Flush (0.0 mm)	2-3/8" (60.3 mm)	1-7/8" (47.6 mm)	7/8" (22.2 mm)	1-11/32" (34.1 mm)	8	20 lb (8.1 kg)
11241000008	Hinge, R.H.	1-1/8" (28.6 mm)	2-3/8" (60.3 mm)	1-7/8" (47.6 mm)	1-7/8" (47.6 mm)	2-11/32" (59.5 mm)	6	14 lb (6.8 kg)
11241000009	Hinge, L.H.	1-1/8" (28.6 mm)	2-3/8" (60.3 mm)	1-7/8" (47.6 mm)	1-7/8" (47.6 mm)	2-11/32" (59.5 mm)	6	14 lb (6.8 kg)
11241H00004	Hinge, R.H.	Flush (0.0 mm)	1-23/32" (43.6 mm)	1-13/16" (46 mm)	7/8" (22.2 mm)	1-11/32" (34.1 mm)	8	20 lb (8.1 kg)
11241H00005	Hinge, L.H.	Flush (0.0 mm)	1-23/32" (43.6 mm)	1-13/16" (46 mm)	7/8" (22.2 mm)	1-11/32" (34.1 mm)	8	20 lb (8.1 kg)
11241S00004	Hinge, R.H.	Flush (0.0 mm)	1-3/16" (30.2 mm)	1-3/4" (44.4 mm)	7/8" (22.2 mm)	1-11/32" (34.1 mm)	8	20 lb (8.1 kg)
11241S00005	Hinge, L.H.	Flush (0.0 mm)	1-3/16" (30.2 mm)	1-3/4" (44.4 mm)	7/8" (22.2 mm)	1-11/32" (34.1 mm)	8	20 lb (8.1 kg)



1243 Reversible Oblique Hinge



© U.S. Trademark 2,176,043



The 1243 is an oblique lower hinge, designed to be used in conjunction with the 1245 flush upper hinge to provide increased lift and potential energy for greater closing force than normal cam lift hinges.

- Precision engineered for spring action without the costly spring
- Closing force rivals any spring-assisted hinge
- Lowered cam load extends life of internal parts compared to spring-assisted hinges
- Oblique design gives doors steeper rise for less sweeper gasket drag and wear
- Built-in dwell holds door open beyond 130°
- Doors lift off without disassembly or removing hinges
- Simple manual operation reverses hinges for use on right- or left-opening door
- Mounts as standard cam-rise hinge
- 1243 must be paired with 1245 flush to achieve oblique action

Part No.	Description	Finish
11243000028	Hinge, RH - Oblique Lower	Polished Chrome
11243000029	Hinge, LH - Oblique Lower	Polished Chrome
11243000088	Hinge, RH - Oblique Lower	Brushed Chrome
11243000089	Hinge, LH - Oblique Lower	Brushed Chrome



1. Lift strap from flange and remove pin assembly.



2. Pop out cap. Turn strap 180°, reinsert pin assembly in strap.



3. Reposition strap into flange and replace cap.

Specifications

Material

High pressure die-cast zinc with self-lubricating nylon cam

Offsets

Flush

Packaging

6 per carton

Mounting

Drilled and countersunk for 1/4" (6.0 mm) flat-head screws

Load Rating

See Hinge Selector Chart, page 58, Group D

Weight

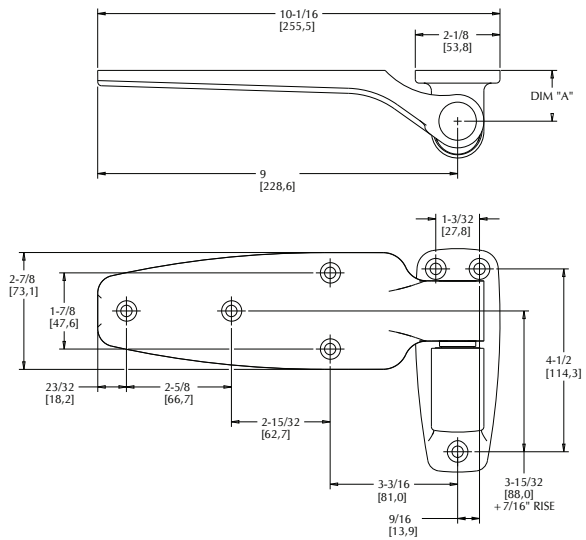
Approx. 18 lb (8.2 kg) per carton

Part No.	Desc.	Offset	Finish
11245000004	Hinge	Flush (0.0 mm)	Powder Coat
11245000016	Hinge	1-1/8" (28.6 mm)	Powder Coat
11245000020	Hinge	1-1/4" (31.8 mm)	Powder Coat
11245000024	Hinge	1-3/8" (34.9 mm)	Powder Coat
11245000052	Hinge	1-1/2" (38.1 mm)	Powder Coat
11245000056	Hinge	1-5/8" (41.3 mm)	Powder Coat
11245000060	Hinge	1-3/4" (44.5 mm)	Powder Coat
11245000064	Hinge	1-7/8" (47.6 mm)	Powder Coat
11245000028	Hinge	Flush (0.0 mm)	Polished Chrome
11245000040	Hinge	1-1/8" (28.6 mm)	Polished Chrome
11245000044	Hinge	1-1/4" (31.8 mm)	Polished Chrome
11245000048	Hinge	1-3/8" (34.9 mm)	Polished Chrome
11245000068	Hinge	1-1/2" (38.1 mm)	Polished Chrome
11245000072	Hinge	1-5/8" (41.3 mm)	Polished Chrome
11245000076	Hinge	1-3/4" (44.5 mm)	Polished Chrome
11245000080	Hinge	1-7/8" (47.6 mm)	Polished Chrome
11245000082	Hinge	2" (50.8 mm)	Polished Chrome
11245000088	Hinge	Flush (0.0 mm)	Brushed Chrome
11245000112	Hinge	1-1/8" (28.6 mm)	Brushed Chrome
11245000116	Hinge	1-1/4" (31.8 mm)	Brushed Chrome
11245000120	Hinge	1-3/8" (34.9 mm)	Brushed Chrome
11245000124	Hinge	1-1/2" (38.1 mm)	Brushed Chrome
11245000128	Hinge	1-5/8" (41.3 mm)	Brushed Chrome
11245000132	Hinge	1-3/4" (44.5 mm)	Brushed Chrome
11245000136	Hinge	1-7/8" (47.6 mm)	Brushed Chrome
11245000138	Hinge	2" (50.8 mm)	Brushed Chrome
11246000004	Hinge	Flush (0.0 mm)	Powder Coat
11246000028	Hinge	Flush (0.0 mm)	Polished Chrome
11246000040	Hinge	Flush (0.0 mm)	Brushed Chrome





© U.S. Trademark 2,176,043



Part No.	Description	Offset	Finish
11245000004	Hinge	Flush (0.0 mm)	Powder Coat
11245000016	Hinge	1-1/8" (28.6 mm)	Powder Coat
11245000020	Hinge	1-1/4" (31.8 mm)	Powder Coat
11245000024	Hinge	1-3/8" (34.9 mm)	Powder Coat
11245000052	Hinge	1-1/2" (38.1 mm)	Powder Coat
11245000056	Hinge	1-5/8" (41.3 mm)	Powder Coat
11245000060	Hinge	1-3/4" (44.5 mm)	Powder Coat
11245000064	Hinge	1-7/8" (47.6 mm)	Powder Coat
11245000028	Hinge	Flush (0.0 mm)	Polished Chrome
11245000040	Hinge	1-1/8" (28.6 mm)	Polished Chrome
11245000044	Hinge	1-1/4" (31.8 mm)	Polished Chrome
11245000048	Hinge	1-3/8" (34.9 mm)	Polished Chrome
11245000068	Hinge	1-1/2" (38.1 mm)	Polished Chrome
11245000072	Hinge	1-5/8" (41.3 mm)	Polished Chrome
11245000076	Hinge	1-3/4" (44.5 mm)	Polished Chrome
11245000080	Hinge	1-7/8" (47.6 mm)	Polished Chrome
11245000082	Hinge	2" (50.8 mm)	Polished Chrome
11245000088	Hinge	Flush (0.0 mm)	Brushed Chrome
11245000112	Hinge	1-1/8" (28.6 mm)	Brushed Chrome
11245000116	Hinge	1-1/4" (31.8 mm)	Brushed Chrome
11245000120	Hinge	1-3/8" (34.9 mm)	Brushed Chrome
11245000124	Hinge	1-1/2" (38.1 mm)	Brushed Chrome
11245000128	Hinge	1-5/8" (41.3 mm)	Brushed Chrome
11245000132	Hinge	1-3/4" (44.5 mm)	Brushed Chrome
11245000136	Hinge	1-7/8" (47.6 mm)	Brushed Chrome
11245000138	Hinge	2" (50.8 mm)	Brushed Chrome

- Industry standard self-closing cam-rise hinges
- Door opens with minimum effort
- Strong self-lubricating nylon cam delivers smooth, trouble-free door operation
- Cam-rise action reduces gasket wear, even with irregular floors
- Holds door open beyond 130°
- Doors lift off without disassembly or removing hinges
- Simple manual operation reverses hinges for use on right or left-opening door

Specifications

Material

High pressure die-cast zinc with self-lubricating nylon cam

Finishes

Powder coated finishes available for severe environmental applications

Offsets

See table

Packaging

6 per carton

Mounting

Drilled and countersunk for 1/4" (6.0 mm) flat-head screws

Load Rating

See Hinge Selector Chart, page 58, Group D

Weight (1245)

Approx. 18 lb (8.2 kg) per carton

© 2024 Kason Industries, Inc.

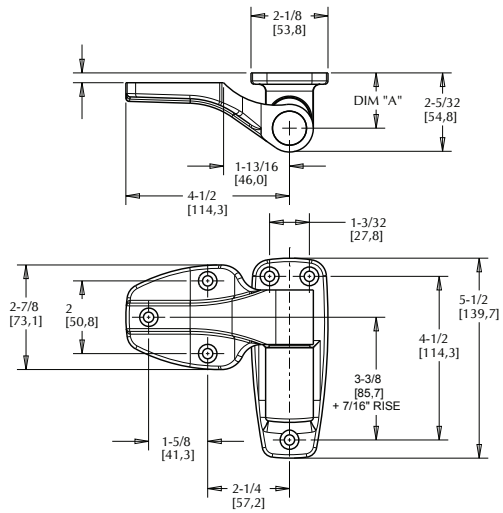
1123 LIT 001



1246 Reversible Cam-Rise Hinges



© U.S. Trademarks 2,382,322



Part No.	Description	Offset	Finish
11246000004	Hinge	Flush (0.0 mm)	Powder Coat
11246000028	Hinge	Flush (0.0 mm)	Polished Chrome
11246000040	Hinge	Flush (0.0 mm)	Brushed Chrome

- Industry standard self-closing cam-rise hinges
- Door opens with minimum effort
- Strong self-lubricating nylon cam delivers smooth, trouble-free door operation
- Cam-rise action reduces gasket wear, even with irregular floors
- Holds door open beyond 130°
- Doors lift off without disassembly or removing hinges
- Simple manual operation reverses hinges for use on right or left-opening door

Specifications

Material

High pressure die-cast zinc with self-lubricating nylon cam

Finishes

Powder coated finishes available for severe environmental applications

Offsets

See table

Packaging

6 per carton

Mounting

Drilled and countersunk for 1/4" (6.0 mm) flat-head screws

Load Rating

See Hinge Selector Chart, page 58, Group D

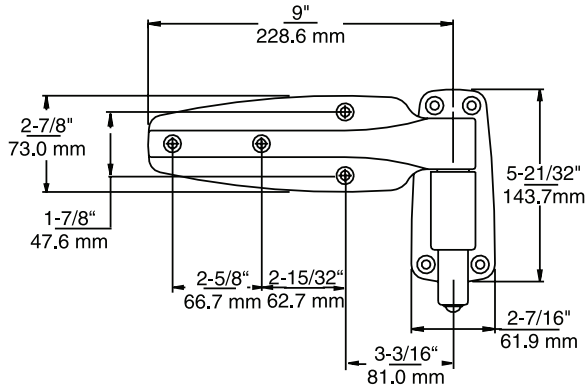
Weight (1246)

Approx. 12 lb (5.4 kg) per carton





© U.S. Trademark 2,415,070



- Spring mechanism adds extra closing force to overcome air resistance on heavy walk-in doors
- Special high-lift cam system outperforms similar spring hinges
- Cam-rise action reduces gasket wear, even with irregular floors
- Built-in dwell holds door open beyond 130°
- Simple manual operation reverses hinges for use on right- or left-opening door

Specifications

Material

High pressure die-cast zinc with self-lubricating nylon cam

Finishes

See table on next page. Powder coat also available

Packaging

6 per carton

Mounting

Drilled and countersunk for 1/4" (6.0 mm) flat-head screws

Load Rating

See Hinge Selector Chart, page 58, Group D

Weight

Approx. 19.5 lb (8.85 kg) per carton

Option

Also available in non-spring models. Not recommended to use 1248 spring loaded with 1245 non-spring loaded hinges.

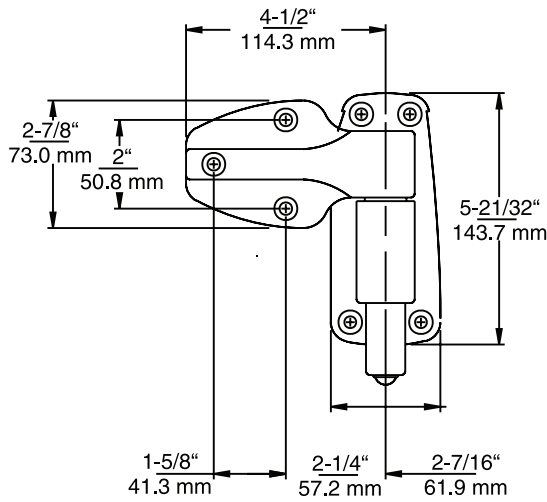
Part No.	Description	Offset	Finish	Non-Spring No.
11248000004	Hinge	Flush (0.0 mm)	Polished Chrome	11248000002
11248000016	Hinge	1-1/8" (28.6 mm)	Polished Chrome	n/a
11248000020	Hinge	1-1/4" (31.8 mm)	Polished Chrome	11248000019
11248000022	Hinge	1-1/2" (38.1 mm)	Polished Chrome	n/a
11248000024	Hinge	1-3/8" (34.9 mm)	Polished Chrome	11248000018
11248000025	Hinge	1-5/8" (41.3 mm)	Polished Chrome	n/a
11248000026	Hinge	1-3/4" (44.5 mm)	Polished Chrome	n/a
11248000027	Hinge	1-7/8" (47.6 mm)	Polished Chrome	11248000055
11248000028	Hinge	Flush (0.0 mm)	Brushed Chrome	11248000029
11248000030	Hinge	2" (50.8 mm)	Polished Chrome	11248000080
11248000040	Hinge	1-1/8" (28.6 mm)	Brushed Chrome	n/a
11248000044	Hinge	1-1/4" (31.8 mm)	Brushed Chrome	n/a
11248000045	Hinge	1-1/2" (38.1 mm)	Brushed Chrome	11248000053
11248000048	Hinge	1-3/8" (34.9 mm)	Brushed Chrome	11248000039
11248000049	Hinge	1-5/8" (41.3 mm)	Brushed Chrome	11248000037
11248000050	Hinge	1-3/4" (44.5 mm)	Brushed Chrome	11248000054
11248000051	Hinge	1-7/8" (47.6 mm)	Brushed Chrome	n/a
11248000078	Hinge	2" (50.8 mm)	Brushed Chrome	n/a



1249 Spring Assisted Hinges



© U.S. Trademarks 2,415,066



- Spring mechanism adds extra closing force to overcome air resistance on heavy walk-in doors
- Special high-lift cam system outperforms similar spring hinges
- Cam-rise action reduces gasket wear, even with irregular floors
- Built-in dwell holds door open beyond 130°
- Simple manual operation reverses hinges for use on right- or left-opening door

Specifications

Material

High pressure die-cast zinc with self-lubricating nylon cam

Finishes

See table on next page. Powder coat also available

Packaging

6 per carton

Mounting

Drilled and countersunk for 1/4" (6.0 mm) flat-head screws

Load Rating

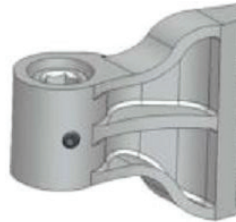
See Hinge Selector Chart, page 58, Group D

Weight

Approx. 13 lb (5.9 kg) per carton

Option

Also available in non-lift off and non-spring models. Not recommended to use 1248 spring loaded with 1245 non-spring loaded hinges



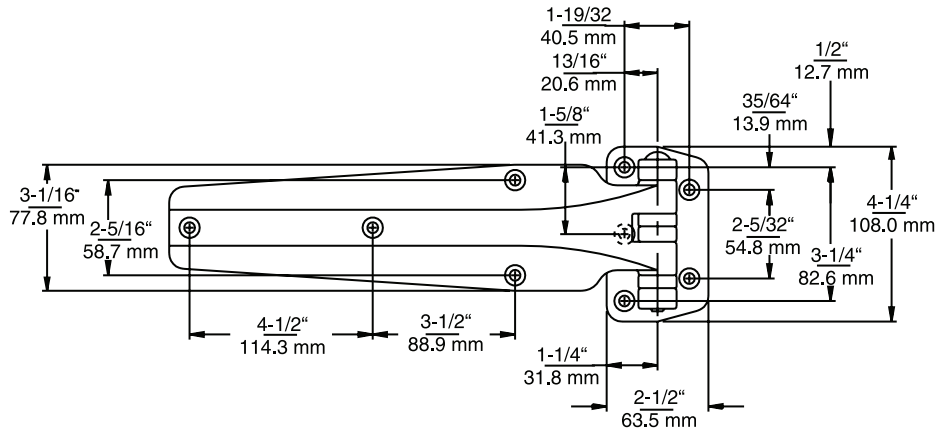
Optional set screw at back of strap to prevent lift off of door.

Part No.	Description	Offset	Finish	Non-Lift Off No.	Non-Spring No.
11249000002	Hinge R.H.	Flush (0.0 mm)	Polished Chrome	n/a	n/a
11249000003	Hinge L.H.	Flush (0.0 mm)	Polished Chrome	n/a	n/a
11249000004	Hinge R.H.	Flush (0.0 mm)	Polished Chrome	11249000014	11249000024
11249000005	Hinge L.H.	Flush (0.0 mm)	Polished Chrome	11249000018	11249000025
11249000008	Hinge R.H.	1/8" (3.2 mm)	Polished Chrome	n/a	n/a
11249000012	Hinge R.H.	1/4" (6.4 mm)	Polished Chrome	n/a	n/a
11249000014	Hinge R.H.	Flush (0.0 mm)	Polished Chrome	n/a	n/a
11249000015	Hinge L.H.	Flush (0.0 mm)	Polished Chrome	n/a	n/a
11249000016	Hinge R.H.	Flush (0.0 mm)	Brushed Chrome	n/a	n/a
11249000017	Hinge L.H.	Flush (0.0 mm)	Brushed Chrome	n/a	n/a





© U.S. Trademarks 2,277,203



- Longer version of Kason 1241 hinge
- Exclusive ribbed underside construction reduces weight while adding strength

Part No.	Description	Offset
11251000008	Hinge R.H.	1-1/8" (28.6 mm)
11251000009	Hinge L.H.	1-1/8" (28.6 mm)
11251000012	Hinge R.H.	1-1/4" (31.8 mm)
11251000013	Hinge L.H.	1-1/4" (31.8 mm)
11251000015	Hinge L.H.	1-3/8" (34.9 mm)
11251000016	Hinge R.H.	1-3/8" (34.9 mm)

Specifications

Strap Length
12" (304.8 mm)

Material
High pressure die-cast zinc with stainless steel pin and nylon bearings

Finishes
Polished chrome

Offsets
See order information below

Packaging
4 per carton

Mounting
Drilled and countersunk for 1/4" (6.0 mm) screws (not included)

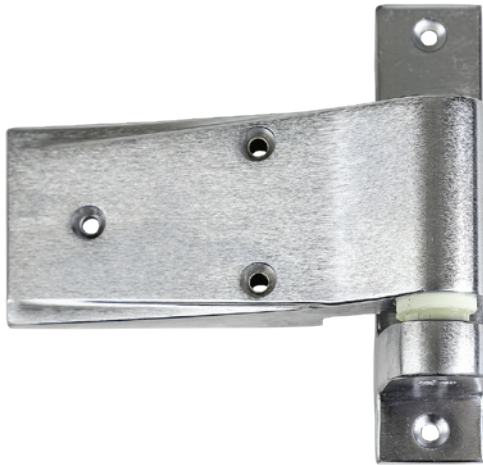
Load Rating
See Hinge Selector Chart, page 58, Group D

Weight
Approx. 15.4 lb (7.0 kg) per carton



1253 Oblique Cam-Rise Hinge

1253-2 (Lower Hinge)



- Designed to quickly lift sweeper gasket on opening to increase gasket life
- Smooth operation increases closing force without internal spring
- Spring kit option available to increase closing momentum
- Reversible for Left/Right hand door openings
- Built in dwell holds door open after 120° rotation
- Door lifts off without disassembly or removal of hinges
- Upper and lower hinge sold separately

Specifications

Materials

Flange, Strap: Zinc zamak #3, chrome plated
 Cam, Follower: Nylon, 6/6 compound
 End Cap: Polyethylene
 Hex Rod: Steel, Zinc plated
 O-Ring: Rubber compound

Finishes

Chrome, brushed chrome, or powder coated

Load Rating

See Hinge Selector Chart, page 58, Group D

Packaging

6 per carton

Weight

Approx. 18 lb (8.2 kg) per carton

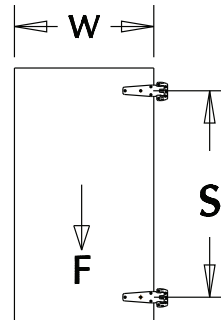
Temperature Rating

-20°F to 150°F (-28.9°C to 65.5°C)

1253-4 (Upper Hinge)



Safe Working Load Formula



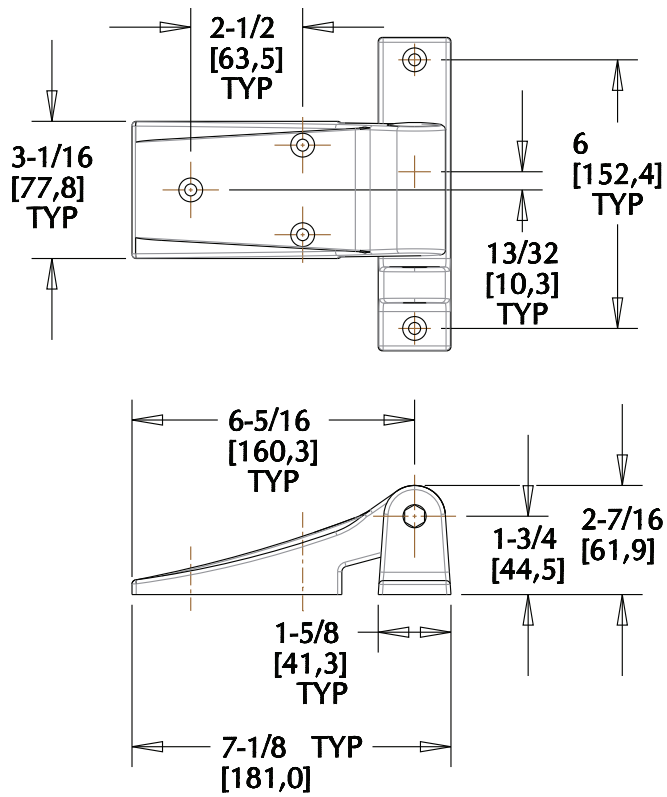
W = Door width, inch
 F = Door weight, lb
 M = Moment on hinge, in-lb
 ($F \times W/2 = 3990$ in-lb)
 S = Suggested minimum
 hinge spacing (1.5 W)

Part No.	Description	Offset
11253000002	Lower Right Hand*	Brushed Chrome
11253000004	Upper Right Hand*	Brushed Chrome
11253000006	Lower Right Hand*	Polished Chrome
11253000008	Upper Right Hand*	Polished Chrome
11255000001	Spring Kit	Brushed Chrome
11255000003	Spring Kit	Polished Chrome

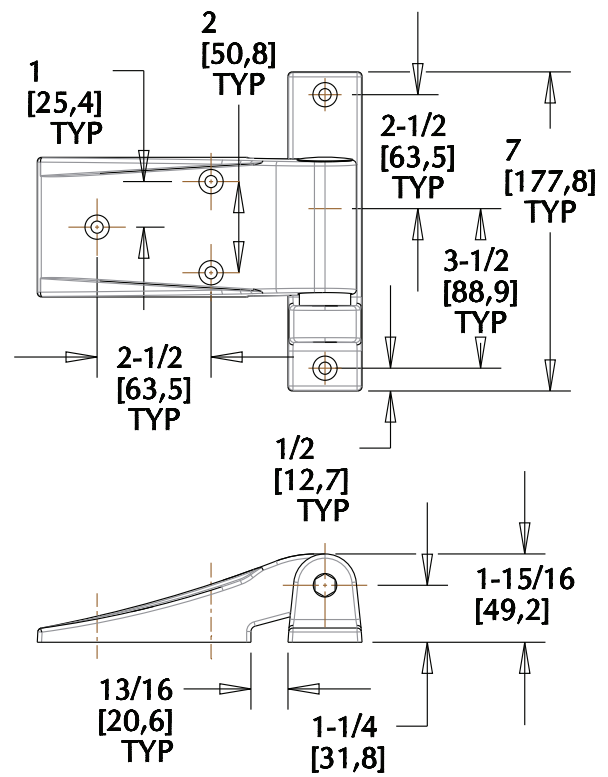
* Arrives right hand hinged standard; easily converts to left hand hinged



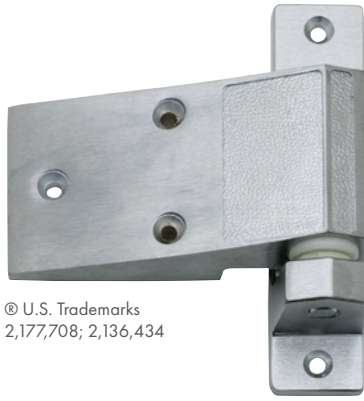
1253-2 (Lower Hinge)



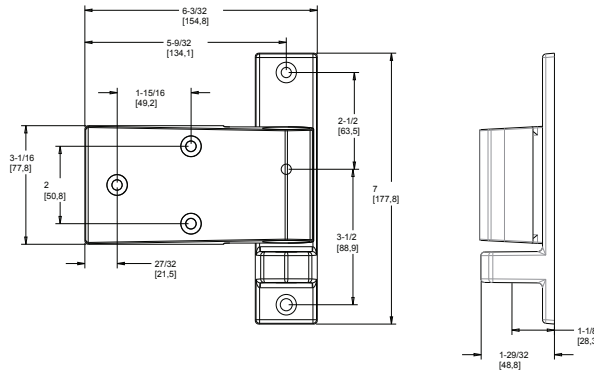
1253-4 (Upper Hinge)



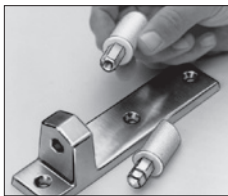
1255 Pacesetter Hinges



© U.S. Trademarks
2,177,708; 2,136,434



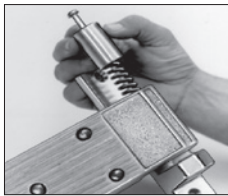
Easy Spring Cartridge Installation



1. Replace existing follower assembly with spring cartridge follower assembly.



2. Assemble spring cartridge.



3. Remove black plastic cap at top of strap and insert spring assembly into strap so that screw enters hole in cam.



4. Drive screw through rod and secure with acorn nut.

*These instructions apply to the 1243, 1245, 1246, 1248, 1249, 1255, and 1256.

1255-2 Spring Cartridge Kit

- Converts No. 1255 or 1256 to spring assist for greater closing force

Specifications (Latch)

Material

High pressure die-cast zinc with self-lubricating nylon cam

Finish

See table

Offset

Flush (0.0 mm)

Packaging

8 per carton

Mounting

Drilled and countersunk for 1/4" (6.0 mm) flat-head screws

Load Rating

See Hinge Selector Chart, page 58, Group D

Weight

Approx. 20.6 lb (9.2 kg) per carton

Specifications (1255-2)

Material

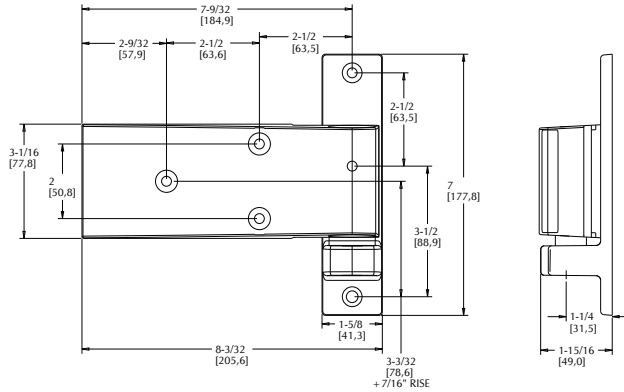
High pressure die-cast zinc shell, premium wire spring

Part No.	Description	Finish
11255V00004C	Hinge, Smooth Face	Polished Chrome
11255000004	Hinge, Textured Panel	Brushed Chrome
11255000014	Hinge, Textured Panel	Polished Chrome
11255000001	Spring Kit for 1255/1256	Brushed Chrome
11255000003	Spring Kit for 1255/1256	Polished Chrome

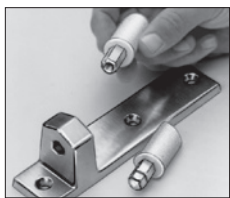




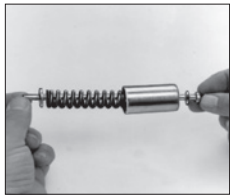
© U.S. Trademarks
2,177,708; 2,136,434



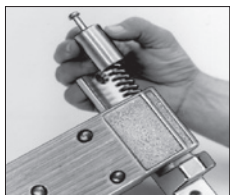
Easy Spring Cartridge Installation



1. Replace existing follower assembly with spring cartridge follower assembly.



2. Assemble spring cartridge.



3. Remove black plastic cap at top of strap and insert spring assembly into strap so that screw enters hole in cam.



4. Drive screw through rod and secure with acorn nut.

*These instructions apply to the 1243, 1245, 1246, 1248, 1249, 1255, and 1256.

Specifications (Latch)

Material

High pressure die-cast zinc with self-lubricating nylon cam

Finish

See table

Offset

Flush (0.0 mm)

Packaging

6 per carton

Mounting

Drilled and countersunk for 1/4" (6.0 mm) flat-head screws

Load Rating

See Hinge Selector Chart, page 58, Group D

Weight

Approx. 18 lb (8.2 kg) per carton

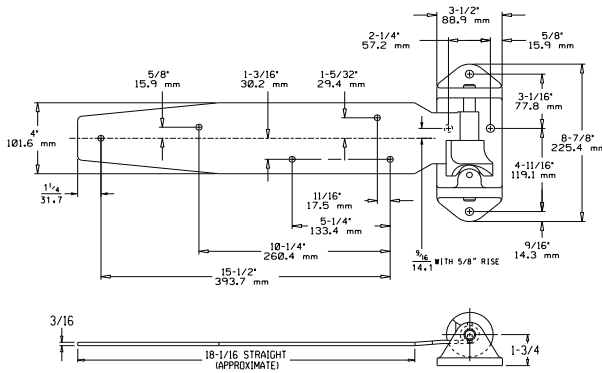
Part No.	Description	Finish
11256V00004C	Hinge, Smooth Face	Polished Chrome
11256000004	Hinge, Textured Panel	Brushed Chrome

© 2024 Kason Industries, Inc.

1123 LIT 001



1275 Heavy-Duty Cam-Rise Strap Hinge



Part No.	Description	Offset
11275000020	Hinge, L.H.	1-1/8" (28.6 mm)
11275000024	Hinge, R.H.	1-1/8" (28.6 mm)
11275000028	Hinge, L.H.	1-1/4" (31.8 mm)
11275000032	Hinge, R.H.	1-1/4" (31.8 mm)

- Designed for large, heavy offset doors
- Provides self-closing action
- Solid steel cam smoothly glides over hardened steel roller to easily lift heaviest doors
- Use where irregular floors interfere with free operation of doors
- Non-reversible; must be ordered right or left-handed
- Dwell pushes door further open past 90°

Specifications

Material

Heavy gauge steel strap, malleable iron flange

Finish

Kasonized (Zinc plated)

Mounting

Strap drilled for 3/8" (9.5 mm) screws.
Flange drilled for 3/8" (9.5 mm) lag screws

Packaging

2 per carton

Load Rating

See Hinge Selector Chart, page 58, Group H

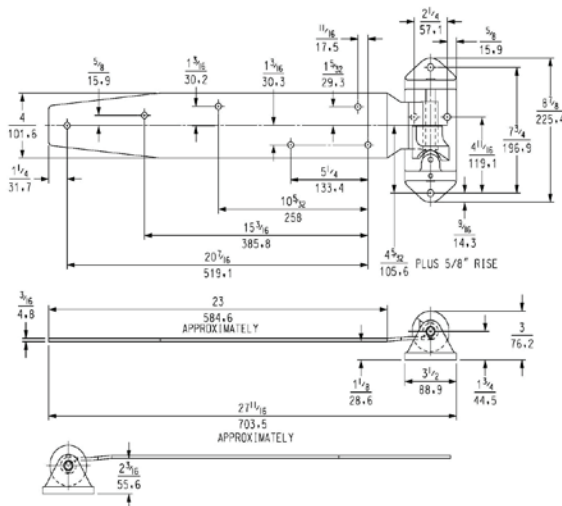
Strap Length

21" (533.4 mm)

Weight

Approx. 22 lb (10 kg) per carton

1276 Heavy-Duty Cam-Rise Strap Hinge



Part No.	Description	Offset
11276000020	Hinge, L.H.	1-1/8" (28.6 mm)
11276000024	Hinge, R.H.	1-1/8" (28.6 mm)
11276000028	Hinge, L.H.	1-1/4" (31.8 mm)
11276000032	Hinge, R.H.	1-1/4" (31.8 mm)

Specifications

Material

Heavy gauge steel strap, malleable iron flange

Finish

Kasonized (Zinc plated)

Mounting

Strap drilled for 3/8" (9.5 mm) screws.
Flange drilled for 3/8" (9.5 mm) lag screws

Packaging

2 per carton

Load Rating

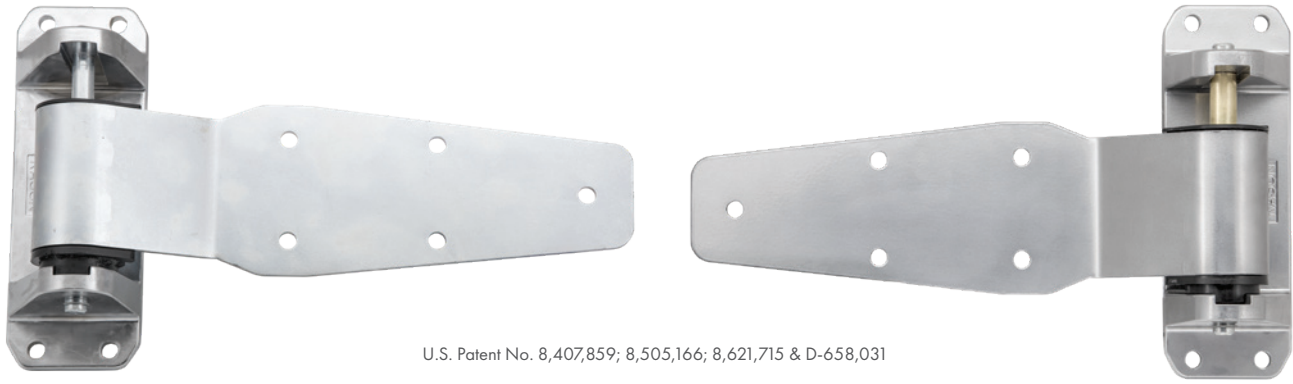
See Hinge Selector Chart, page 58, Group H

Strap Length

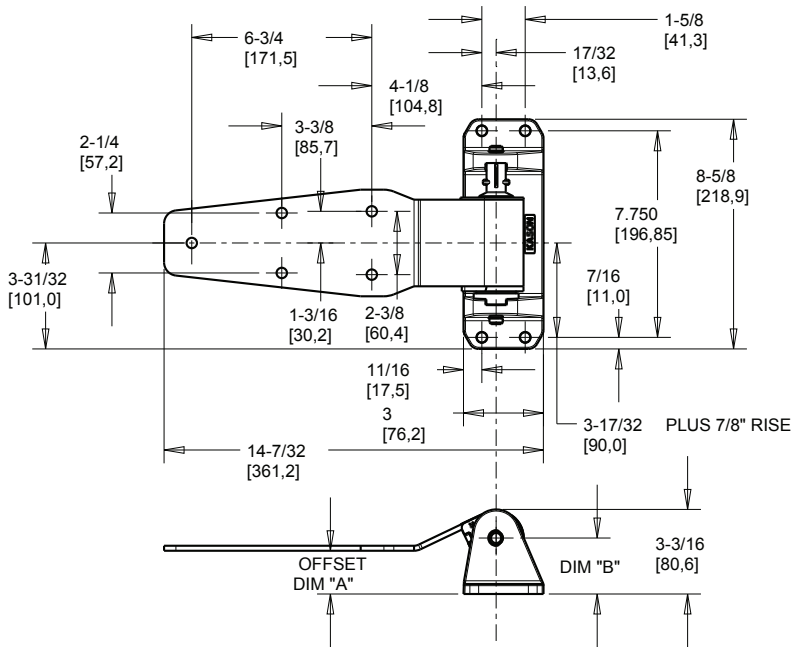
26" (658.5 mm)

Weight

Approx. 24.3 lb (11 kg) per carton



U.S. Patent No. 8,407,859; 8,505,166; 8,621,715 & D-658,031



- Industry standard self-closing cam-rise hinge
- Heavy-Duty face mount hinge
- High rising spiral cams. Total rise 7/8"
- Holds open dwell at 105°
- Through-pin flange design
- Raises door fast to create greater closing momentum, reduce closing drag, and reduce wear on sweeper gasket

Specifications

Material

Steel strap, pivot pin, and fastener "C" ring with composite cam, follower, and top bearing

Finish

Kasonized (zinc-plated). Powder coat available

Packaging

4 per carton

Mounting

Drilled and countersunk to accommodate 3/8" fasteners

Load Rating

See Hinge Selector Chart, page 58, Group G

Weight

Approx. 26 lb (11.7 kg) per carton

Part No.	Description	Offset	Dim. "B"
11278000007	Hinge, Left Hand	1-1/8" (28.6 mm)	1.60
11278000008	Hinge, Right Hand	1-1/8" (28.6 mm)	1.60
11278000009	Hinge, Left Hand	1-1/4" (31.8 mm)	1.72
11278000010	Hinge, Right Hand	1-1/4" (31.8 mm)	1.72
11278000011	Hinge, Left Hand	1-3/8" (34.9 mm)	1.85
11278000012	Hinge, Right Hand	1-3/8" (34.9 mm)	1.85
11278000013	Hinge, Left Hand	1-1/2" (38.1 mm)	1.97
11278000014	Hinge, Right Hand	1-1/2" (38.1 mm)	1.97
11278000015	Hinge, Left Hand	1-5/8" (41.3 mm)	2.10
11278000016	Hinge, Right Hand	1-5/8" (41.3 mm)	2.10
11278S00003BC	Spring Hinge, Left Hand	Flush (0.0 mm)	1.60
11278S00004BC	Spring Hinge, Right Hand	Flush (0.0 mm)	1.60

© 2024 Kason Industries, Inc.

1123 LIT 001

1277 Series Heavy-Duty Hinges



- Tough, economical self-closing hinges
- Sizes to fit all supermarket, cold storage and other heavy-duty walk-in requirements
- Precision machined steel cams gently raise and lower door for easier opening and less gasket wear
- No dwell
- Extra wide strap and reinforcing ribs on underside of flange provide great strength and durability
- Reversible, without disassembly, for right- or left-opening door

Specifications

Material

High pressure die-cast zinc flange, 3/16" (4.8 mm) thick steel strap, 5/8" (15.9 mm) diameter steel cam pin

Finish

Kasonized (Zinc plated). Powder coated finishes available for severe environmental applications

Mounting

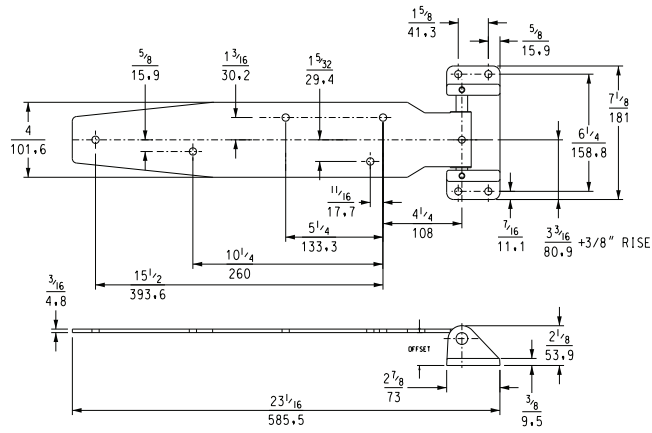
Drilled for 3/8" (9.5 mm) screws (not included)

Load Rating

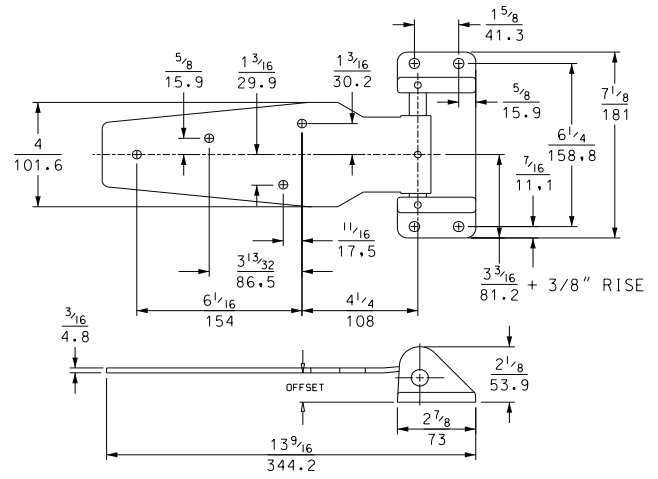
See Hinge Selector Chart, page 58, Group G

Part No.	Offset	Strap Length	Qty./ Carton	Wgt./ Carton
11277000004	Flush (0.0 mm)			
11277000008	1-1/8" (28.6 mm)			
11277000010	1-1/4" (31.8 mm)			
11277000012	1-3/8" (34.9 mm)	21"	4	27 lb (12.2 kg)
11277000014	1-1/2" (38.1 mm)	(533.4 mm)		
11277000016	1-5/8" (41.3 mm)			
11277000018	1-3/4" (44.5 mm)			
11277000020	1-7/8" (47.6 mm)			
11277L00008	1-1/8" (28.6 mm)			
11277L00010	1-1/4" (31.8 mm)	26"	4	33 lb (14.9 kg)
11277L00012	1-3/8" (34.9 mm)	(685.8 mm)		
11277L00016	1-5/8" (41.3 mm)			
11277S00008	1-1/8" (28.6 mm)			
11277S00010	1-1/4" (31.8 mm)			
11277S00012	1-3/8" (34.9 mm)	11-5/8"	8	40 lb (18.0 kg)
11277S00014	1-1/2" (38.1 mm)	(293.7 mm)		
11277S00016	1-5/8" (41.3 mm)			
11277S00018	1-3/4" (44.5 mm)			
11277T00004	Flush (0.0 mm)			
11277T00008	1-1/8" (28.6 mm)			
11277T00010	1-1/4" (31.8 mm)			
11277T00012	1-3/8" (34.9 mm)	14"	6	32 lb (14.3 kg)
11277T00014	1-1/2" (38.1 mm)	(358.2 mm)		
11277T00016	1-5/8" (41.3 mm)			
11277T00018	1-3/4" (44.5 mm)			
11277T00020	1-7/8" (47.6 mm)			

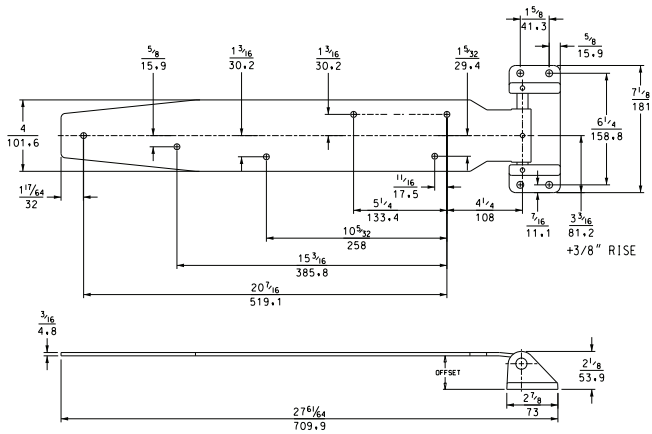
1277



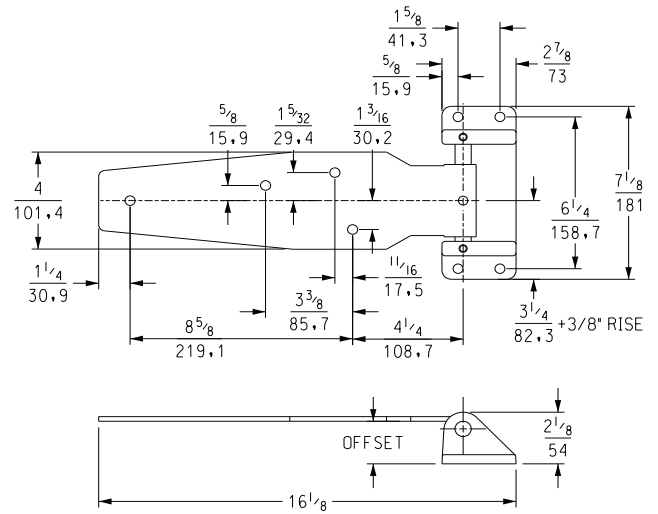
1277S



1277L

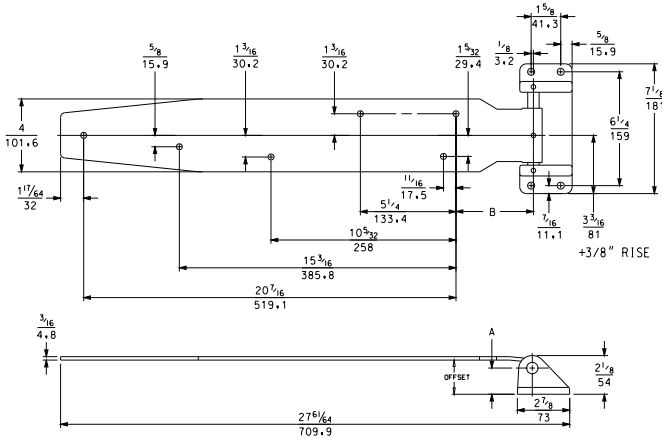


1277T



1377L/ 1377S Stainless Steel Self-Closing Hinges

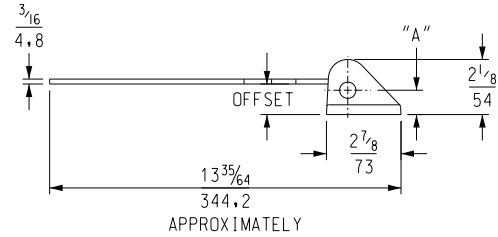
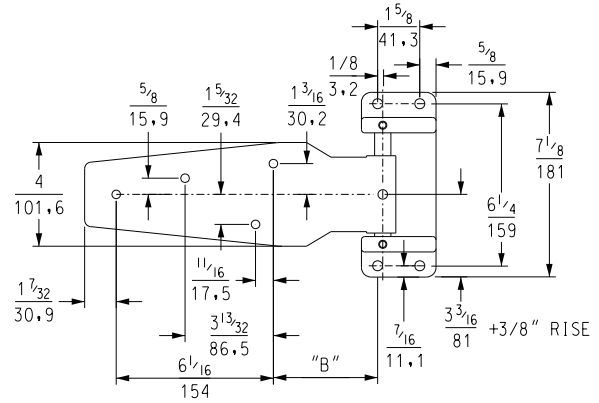
1377L (Long)



- 316 stainless steel strap and flange, satin finish
- Self-closing, cam-rise hinge is extra rugged for challenging applications
- Precision-machined stainless steel cams gently raise and lower large doors
- Cam action assures effortless opening and less gasket wear
- Strap reverses for right or left-opening door without disassembly
- No dwell

Part No.	Offset	"A"	"B" (Approx.)	Strap Length
11377L00004	Flush (0.0mm)	15/16" (23.8 mm)	3-31/32" (100.8 mm)	
11377L00008	1-1/8" (29 mm)	15/16" (23.8 mm)	4-3/32" (104 mm)	
11377L00010	1-1/4" (32 mm)	15/16" (23.8 mm)	4-1/8" (104.8 mm)	
11377L00012	1-3/8" (35 mm)	15/16" (23.8 mm)	4-3/32" (104 mm)	26" (685.8 mm)
11377L00014	1-1/2" (38 mm)	1-5/16" (33.3 mm)	4-3/32" (104 mm)	
11377L00016	1-5/8" (41 mm)	1-5/16" (33.3 mm)	4-1/8" (104.8 mm)	
11377L00018	1-3/4" (45 mm)	1-5/16" (33.3 mm)	4-3/32" (104 mm)	
11377S00004	Flush (0.0 mm)	15/16" (23.8 mm)	3-31/32" (100.8 mm)	
11377S00008	1-1/8" (29 mm)	15/16" (23.8 mm)	4-3/32" (104 mm)	
11377S00010	1-1/4" (32 mm)	15/16" (23.8 mm)	4-1/8" (104.8 mm)	
11377S00012	1-3/8" (35 mm)	15/16" (23.8 mm)	4-3/32" (104 mm)	11-5/8" (293.7 mm)
11377S00014	1-1/2" (38 mm)	1-5/16" (33.3 mm)	4-3/32" (104 mm)	
11377S00016	1-5/8" (41 mm)	1-5/16" (33.3 mm)	4-1/8" (104.8 mm)	
11377S00018	1-3/4" (45 mm)	1-5/16" (33.3 mm)	4-3/32" (104 mm)	

1377S (Short)



Specifications

Material

Polished #316 Series stainless steel flange, 3/16" (5mm) thick strap and 5/8" (16mm) diameter cam pins

Strap Length

See table at Left

Packaging

4 each

Mounting

Drilled for 3/8" (9.5 mm) screws

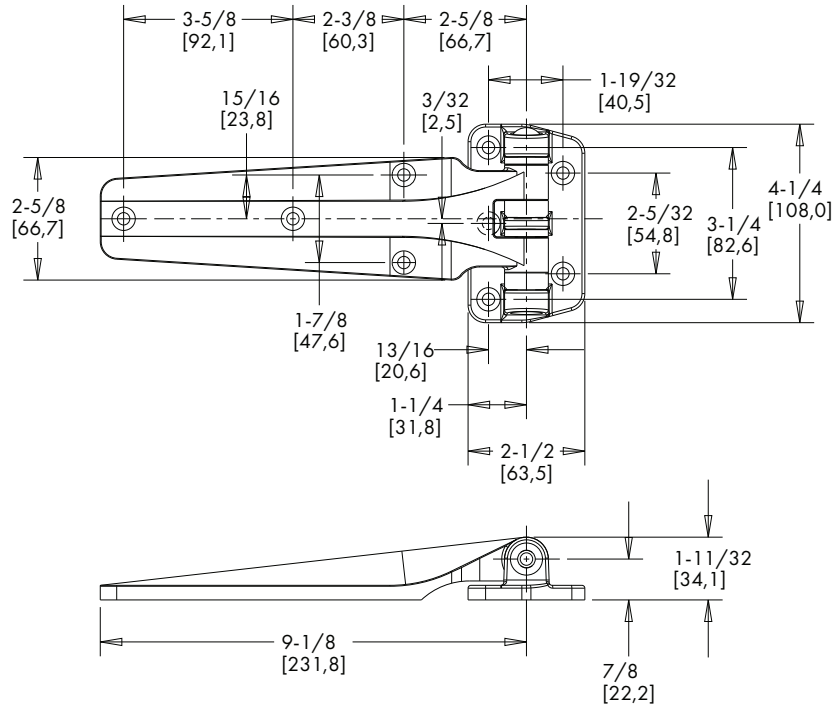
Load Rating

Kason Hinge Selector Chart, page 58, Group G

TB



© U.S. Trademark 2,277,203



- Heavy-duty stainless steel double knuckle non-rise hinge engineered for maximum structural strength
- Ribbed under-side construction reduces weight and ensures rugged no sag dependability
- Durable Type 316 Stainless Steel material eliminates corrosion problems even in the harshest enviroment
- Double through washers provide smoothest operation

Part No.	Description	Qty./Carton	Wgt./Carton
11341000005	Flush, L.H.	8	20 lb (9 kg)
11341000006	Flush, R.H.	8	20 lb (9 kg)

Specifications

Strap Length
9" (228.6 mm)

Material
316 series stainless steel with stainless pin and nylon bearings

Finish
Satin

Offset
Flush

Mounting
Holes drilled and countersunk for 1/4" (6.0 mm) screws (not included)

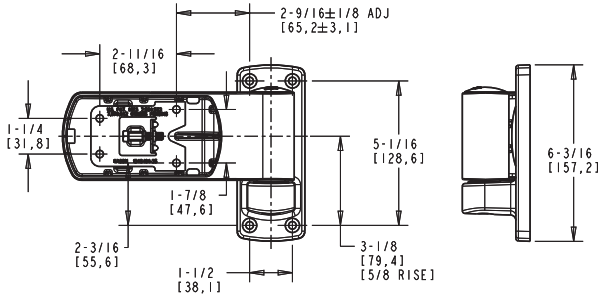
Load Rating
See Hinge Selector Chart, page 58, Group D



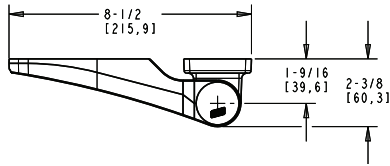
1346 Performer™ Adjustable Hinge



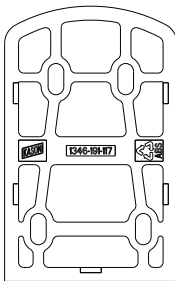
U.S. Patent Nos: D719,809; 7,945,996;
8,800,109; 9,140,045; 9,146,574;
9,493,973; 7,870,642 & 7,584,523



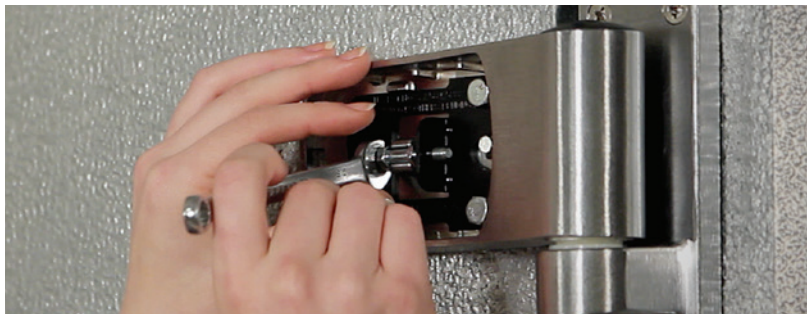
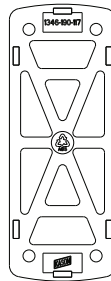
Flush



Strap Spacer



Flange Spacer



Easy adjustment by one person, open door to make adjustments

- Strap adjusts horizontally, providing door lift and rotation to compensate for sag over time
- Built-in spring action is standard
- Time-tested cam-rise technology assists closing and reduces gasket wear, even with uneven floors. 1346 has 40% more rise than traditional on-rise hinges to magnify the benefit
- Flange has a removable cap, allowing lift-off of door without removing hinges
- Left and right hand hinges use the same component parts for faster mounting and replacement
- Covers mount securely over hinge mechanism to keep out dirt and debris
- Performer 1346 meets NSF/ANSI Standard 2 for food equipment components
- Spacer shims available for strap and flange to maintain alignment of pivot centerlines when kick plates are used under the lower hinges. Proper pivot alignment eliminates binding and unwanted hinge wear and tear

Specifications

Material

Precision die-cast zinc flange with nylon cam, die-cast zinc strap, and elastomer insert cover (also available in stainless steel; see page 84)

Finish

Polished chrome or brushed chrome with black accents. Custom colors and/or patterns available, based on volume commitment

Offset

Available from 0-2"

Adjustment

Each strap adjusts ±1/8" to provide 1/4"+ height adjustment. To adjust, loosen main clamping bolts, jack door using micro adjustment screw and tighten clamping bolts

Packaging

4 each

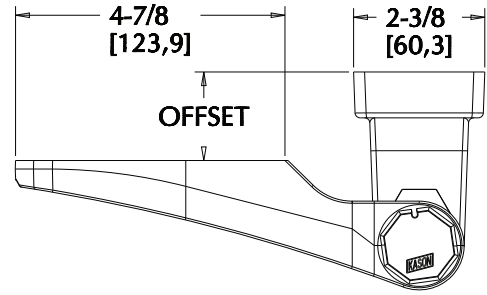
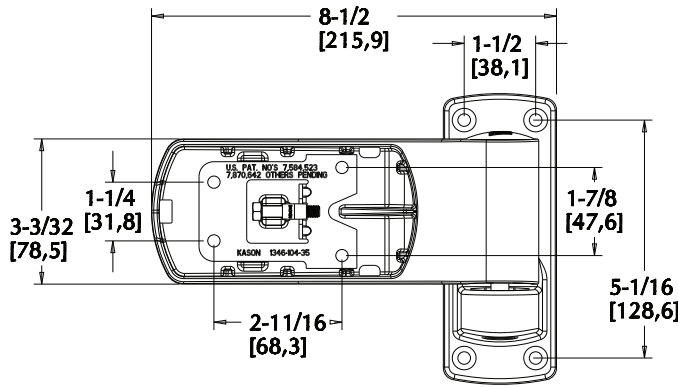
Mounting

Drilled for 1/4" (6 mm) screws

Load Rating

Refer to Kason's Walk-in Hardware catalog section, Hinge Selector Load Chart, page 58, Group D, and associated footnote



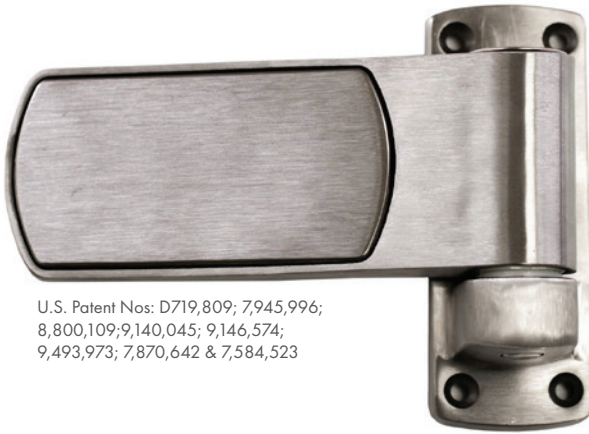


Part No.	Description	Base Style	Offset	Cover Style	Finish	Qty./Carton	Wgt./Carton
1134600(W)(X)(Y)(Z)	Adjustable Hinge	See W Options In Table Below	See X Options In Table Below	See Y Options In Table Below	See Z Options In Table Below	4	See X Options In Table Below

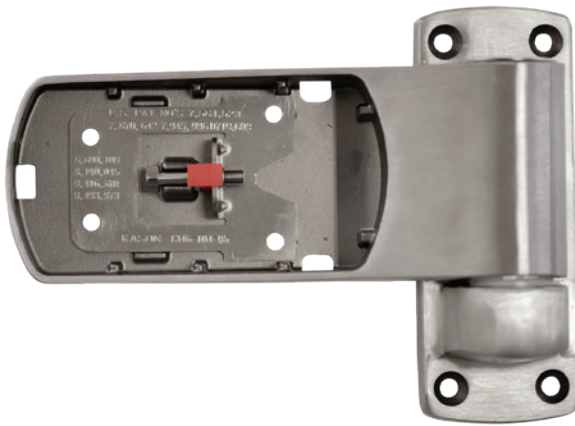
Base		Offset		Cover		Finish	
W = 0	Light Spring	X = 0	Flush	14 lb. (6.356 kg)	Y = 0	Diamond Cover	Z = 4 Chrome
1	Heavy Spring	1	1-1/8"		1	Stainless Steel	5 Brushed
8	Extra Light Spring	2	1-1/4"				
		3	1-3/8"				
		4	1-1/2"	17 lb (7.718 kg)			
		5	1-5/8"				
		6	1-3/4"				
		7	1-7/8"				
		8	2"	18 lb (8.172 kg)			

Part No.	Description
91346000814	Replacement Stainless Steel Cover Kit, Chrome
91346000815	Replacement Stainless Steel Cover Kit, Brushed
91346001000117	Cap
91346001040035B	Adjustment Bracket & Screw
91346001900117	Flange Spacer, 1/8" Offset 1346 Hinge
91346001910117	Strap Spacer, 1/8" Offset 1346 Hinge
91346008730117	Cover, Strap Diamond Plate

1346S Stainless Steel Adjustable Hinge



U.S. Patent Nos: D719,809; 7,945,996;
8,800,109; 9,140,045; 9,146,574;
9,493,973; 7,870,642 & 7,584,523



- Stainless steel offers increased durability
- Strap adjusts horizontally, providing door lift and rotation to compensate for sag over time
- Built-in spring action is standard
- Time-tested cam-rise technology assists closing and reduces gasket wear, even with uneven floors. 1346S has 40% more rise than traditional on-rise hinges to magnify the benefit
- Flange has a removable cap, allowing lift-off of door without removing hinges
- Left and right hand hinges use the same component parts for faster mounting and replacement
- Covers mount securely over hinge mechanism to keep out dirt and debris
- Performer 1346S meets NSF/ANSI Standard 2 for food equipment components
- Spacer shims available for strap and flange to maintain alignment of pivot centerlines when kick plates are used under the lower hinges. Proper pivot alignment eliminates binding and unwanted hinge wear and tear

Specifications

Material

Stainless steel flange with nylon cam, stainless steel strap, stainless steel or elastomer insert cover, stainless steel internal plate and bolt

Finish

Satin with black accents.

Adjustment

Each strap adjusts $\pm 1/8"$ to provide $1/4"$ + height adjustment. To adjust, loosen main clamping bolts, jack door using micro adjustment screw and tighten clamping bolts

Packaging

4 each

Mounting

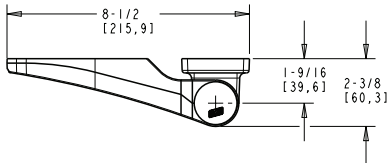
Drilled for $1/4"$ (6 mm) screws

Load Rating

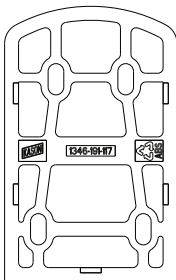
Refer to Kason's Walk-in Hardware catalog section, Hinge Selector Load Chart, Page 58, Group D

Easily adjusted by one person, open door to make adjustments.

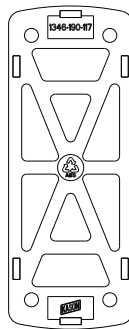
Flush



Strap Spacer



Flange Spacer

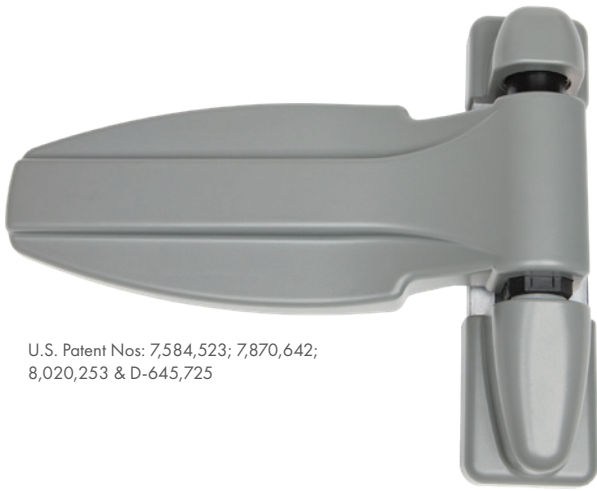


Part No.	Description	Base Style	Offset	Cover Style	Finish	Qty./Carton	Wgt./Carton
11346S0W)(X)(Y)(Z)	Adjustable Hinge	See W Options In Table Below	See X Options In Table Below	See Y Options In Table Below	See Z Options In Table Below	4	See X Options In Table Below

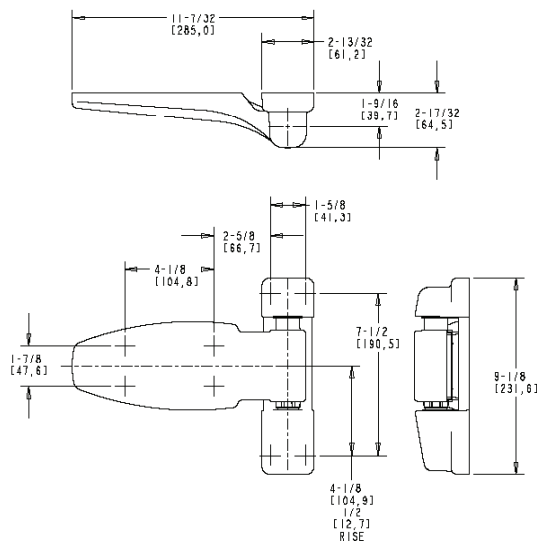
Base		Offset		Cover		Finish	
W =	0	Light Spring	X =	0	14 lb (6.356 kg)	Y =	0
	1	Heavy Spring			17 lb (7.718 kg)	Diamond Cover	Z =
						1	Brushed

Part No.	Description
11346S00015	Flush Stainless Steel Hinge, Satin, Stainless Steel Cover
11346S00005	Flush Stainless Steel Hinge, Satin, Black Diamond Cover
91346001040095	Adjustment Bracket & Screw, Stainless Steel
11346001630097	Spring, Stainless Steel Compression
11346001380093	Stainless Steel Washer, 3/8 x 3/4 x 1/16"

1345 Performer™ Adjustable Hinge



U.S. Patent Nos: 7,584,523; 7,870,642;
8,020,253 & D-645,725



Part No.	Description	Qty/ Carton	Wgt./ Carton
11345000004	Hinge, Right Hand	12	31 lb (14 kg)
11345000008	Hinge, Left Hand	12	31 lb (14 kg)
11345000005AKG	Cover Set, Dark Gray	12	31 lb (14 kg)

For a complete hinge, order steel hinge and cover set.

- Keeps doors from swinging freely with a simple adjustment
- Strap adjusts horizontally, providing door lift and rotation to compensate for sag in the frame or mounting
- Strap is engineered with dual bearing points and through-shaft construction to ensure stability
- Built-in spring action is standard
- Time-tested cam-rise technology assists closing and reduces gasket wear, even with irregular floors
- Flange has a removable pin, allowing lift-off of door without removing hinges
- Left- and right-hand hinges use the same component parts for faster mounting and replacement. Install hinge flange and strap, then snap-on composite covers
- Performer decorative covers are molded of reinforced, high-impact ABS composite material to resist wear and maintain appearance
- Covers mount securely over hinge mechanism to keep out dirt and debris
- Cover shapes and/or colors may be customized to suit your styling needs*
- Performer 1345 meets NSF/ANSI Standard 2 for food equipment components

Simple Adjustment

1. Open Door
2. Loosen Strap Mounting Bolts
3. Adjust Hinge as Needed
4. Tighten Bolts

Specifications

Material

Precision die-cast aluminum flange with nylon cam, plated steel strap, reinforced high-impact ABS composite covers

Finish

Molded gray with black accents standard. Custom shapes and colors available, based on volume commitment

Offset

Flush (0 mm). Spring Loaded

Mounting

Drilled for 5/16" (8 mm) screws

Adjustment

Each strap adjusts $\pm 1/8"$ to provide $1/4"$ + height adjustment. To adjust, loosen main clamping bolts, open door, jack door using micro adjustment screw and tighten clamping bolts

Load Rating

Refer to Kason Walk-in Hardware catalog section, page 58, Hinge Selector Load Chart, Group F, and associated footnote

Ordering

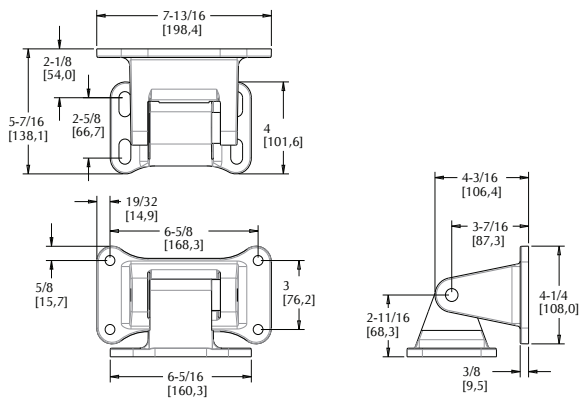
Order Hinges (flange & strap) and Covers separately

*Based on volume commitment.



GreenGuard®

0094 Super Freezer Hinge



Strong Tenzaloy hinge for doors with offsets of 5-1/4" (133.4 mm) or higher.

Specifications

Material

Cast Tenzaloy

Finish

Zinc

Packaging

2 each

Mounting

Holes drilled for 3/8" (9 mm) lag screws

Load Rating

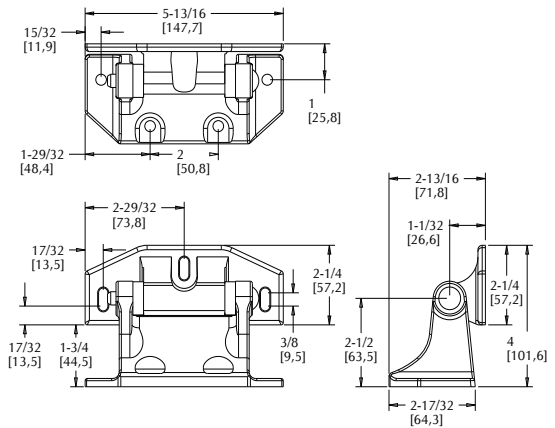
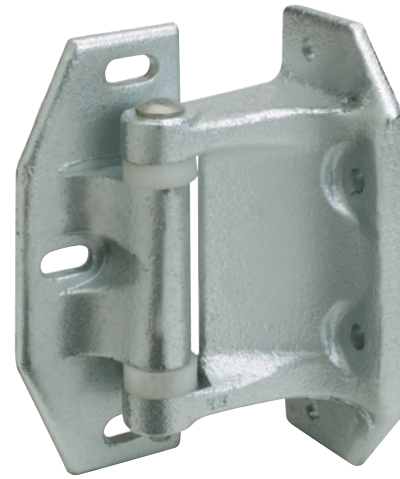
See Hinge Selector Chart, Page 40, Group J

Weight

6.75 lb (3.1 kg)

Part No.	Description
10094000004	Super Freezer Hinge

0998 Super Freezer Hinge



Tough iron hinge for doors with offsets of 4" (101.6 mm) or higher.

Specifications

Material

Malleable iron

Finish

Zinc

Packaging

12 each

Mounting

Holes drilled for 5/16" (8 mm) lag screws (not included)

Load Rating

See Hinge Selector Chart, Page 40, Group G

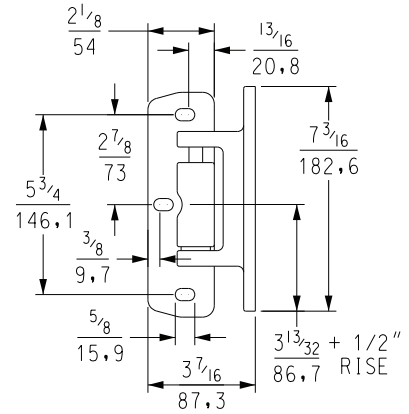
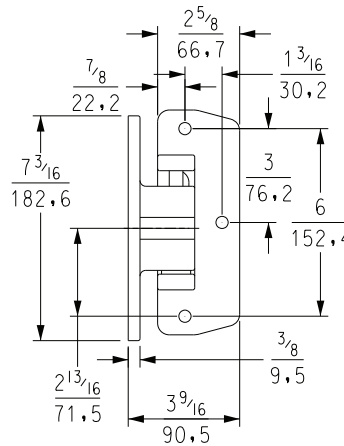
Weight

41 lb (18.6 kg) per carton

Part No.	Description
10998000004	Super Freezer Hinge



1398 Heavy-Duty Edgemount Cam Rise Hinge



- Edge mount for full overlap doors
- Slotted holes allow gasket adjustment
- Built-in cam gently raises the opening door to reduce friction and gasket wear. Holds open door beyond 150°
- Furnished right hand; can be reversed

Part No.	Description	Offset	Finish
11398000008	Hinge	2-1/2" to 3-1/2" (63.5 mm to 88.9 mm)	Powder Coat
11398000012	Hinge	2-1/2" to 3-1/2" (63.5 mm to 88.9 mm)	Chrome
11398000016	Hinge	3-1/2" (88.9 mm) or greater	Powder Coat
11398000020	Hinge	3-1/2" (88.9 mm) or greater	Chrome

Specifications

Material

High pressure die-cast zinc; nylon cam and follower

Finish

See order information below

Offset

See order information below

Packaging

8 each

Mounting

Drilled for 3/8" (9.5 mm) screws (not included)

Load Rating

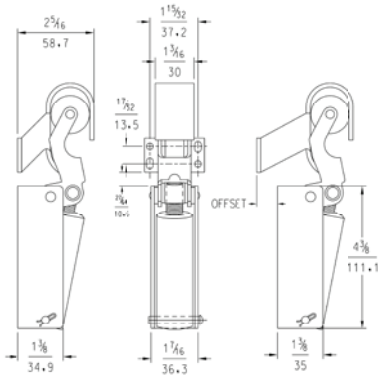
See Hinge Selector Chart, Page 40, Group G,

Weight

Approx. 28 lb (12.7 kg) per carton



1092 Hydraulic Door Closer



- Ideal for walk-in doors or boxes with merchandising doors to prevent pressure spikes that force open glass doors
- Brakes movement, shuts door noiselessly and keeps it closed
- Closes door opened as result of temperature-pressure build up
- Long-wearing

Specifications

Material

Steel

Finish

Zinc plating

Packaging

8 per carton

Weight

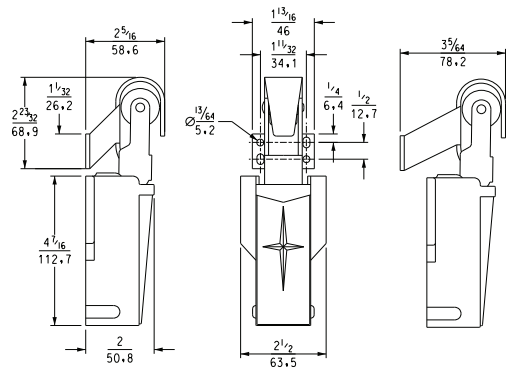
Approx. 14.8 lb (6.7 kg) per carton

Mounting

Drilled for No. 10 (5.0 mm) screws (not included)

Part No.	Description
11092000004	Closer with Flush to 3/4" (0-19.1 mm) Offset Hook
11092000008	Closer with 7/8" to 1-5/8" (22.2 to 41.3 mm) Offset Hook

1093 Hydraulic Door Closer



- Quiet, efficient hydraulic closer
- Ivory plastic cover adds style

Specifications

Material

Steel

Finish

Chrome

Cover

Ivory plastic

Packaging

10 per carton

Mounting

Drilled for No. 10 (5.0 mm) screws (sold separately)

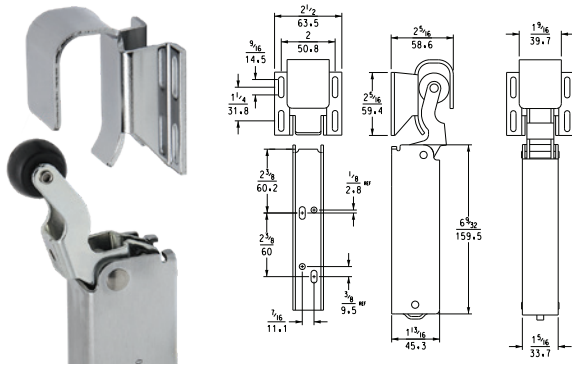
Weight

Approx. 13 lb (5.9 kg) per carton

Part No.	Description
11093000004	Closer with Flush to 3/4" (0-19.1 mm) Offset Hook
11093000008	Closer with 7/8" to 1-5/8" (22.2 to 41.3 mm) Offset Hook

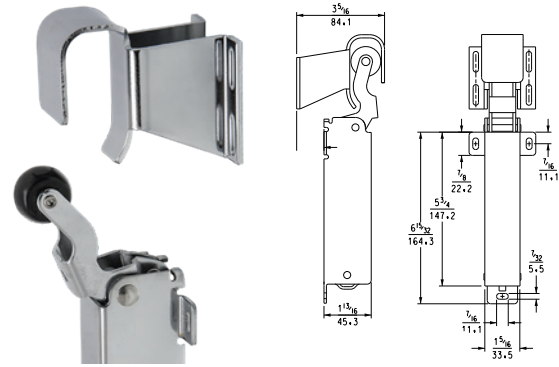


1094 Concealed Mounting



U.S. Trademark 3,212,100; 5,809,887

1094 Exposed Mounting



U.S. Trademark 3,212,100; 5,809,887
Hook sold separately.

1094 SureClose™ Hydraulic Door Closer

- Powerful gas-loaded hydraulic cylinder guarantees controlled closure
- Exposed and concealed mounting parts
- Solid steel enclosed housing and bend-resistant hook assure long wear in heavy use
- Extra-wide hook ensures roller pick-up and overcomes alignment problems
- Life-cycle tested to operate reliably even after a half-million closures
- Perfect complement for Kason walk-in hinges and latches where self-closing doors with controlled closure are needed
- Mounting slots on hook allow for easy adjustment to compensate for door sag, keeping roller aligned with hook for proper function

1094S Dual-Speed Closer

All the features of the 1094 SureClose™, with the additional benefit of a specially developed snubbing mechanism. Initial fast closing action allows unit to withstand slamming force, while secondary, slower action provides gradual closing to lessen final impact.

Specifications

Material

Heavy gauge steel. Housing and hook also available in stainless steel

Finish

Polished or brushed chrome, stainless steel, or powder coat

Mounting

Holes drilled for No. 10 (5.0 mm) screws (included)

Weight

See order information

Part No.	Description	Finish	Qty./ Carton*	Wgt./ Carton
11094000002	Closer, Exposed Mounting	Brushed Chrome	24	35 lb (15.6 kg)
11094000003	Closer, Exposed Mounting	Polished Chrome	24	35 lb (15.6 kg)
11094000012	Closer, Concealed Mounting	Brushed Chrome	24	35 lb (15.6 kg)
11094000013	Closer, Concealed Mounting	Polished Chrome	24	35 lb (15.6 kg)
11094S00003	Dual Closer, Exposed Mounting	Polished Chrome	24	35 lb (15.6 kg)
11094S00012	Dual Closer, Concealed Mounting	Brushed Chrome	24	35 lb (15.6 kg)
11094S00013	Dual Closer, Concealed Mounting	Polished Chrome	24	35 lb (15.6 kg)
11094000093	Stainless Steel Closer, Concealed Mounting	Satin	24	35 lb (15.6 kg)
11094000026	Adjustable Wide Hook, Flush to 3/4" (0.0 to 19.1 mm) Offset	Polished Chrome	24	10 lb (4.5 kg)
11094000027	Adjustable Wide Hook, 7/8" to 1-5/8" (22.2 to 41.3 mm) Offset	Polished Chrome	24	13 lb (5.9 kg)
11094000026D	Adjustable Wide Hook, Flush to 3/4" (0.0 to 19.1 mm) Offset	Brushed Chrome	24	10 lb (4.5 kg)
11094000027D	Adjustable Wide Hook, 7/8" to 1-5/8" (22.2 to 41.3 mm) Offset	Brushed Chrome	24	13 lb (5.9 kg)
11094000926	Adjustable Stainless Steel Wide Hook, Flush to 3/4" (0.0 to 19.1 mm) Offset	Satin	24	10 lb (4.5 kg)
11094000927	Adjustable Stainless Steel Wide Hook, 7/8" to 1-5/8" (22.2 to 41.3 mm) Offset	Satin	24	13 lb (5.9 kg)

*Closers and hooks packaged separately



GreenGuard®

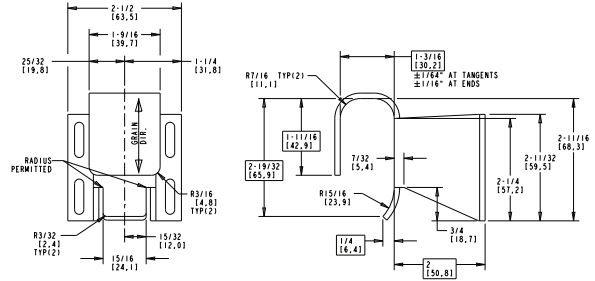
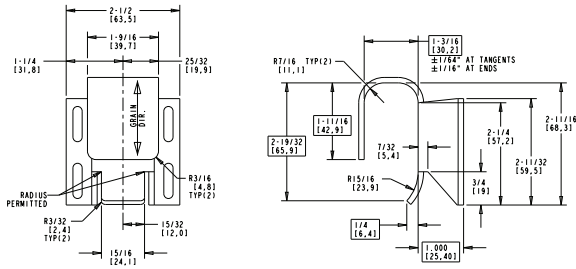
COMPONENT



Flush to 3/4" (0 to 19.1 mm) offset



7/8" to 1-5/8" (22.2 to 41.3 mm) offset



- Wider hook
- Slotted Mounting holes
- Compensates for door sag on doors without adjustable hinges
- Ease of alignment during installation and improved vertical adjustment

Specifications

Material

12 gauge CRS (ASTM A1008) chrome plated; 12 gauge 300 series stainless steel, satin finish

Mounting

#10 screws

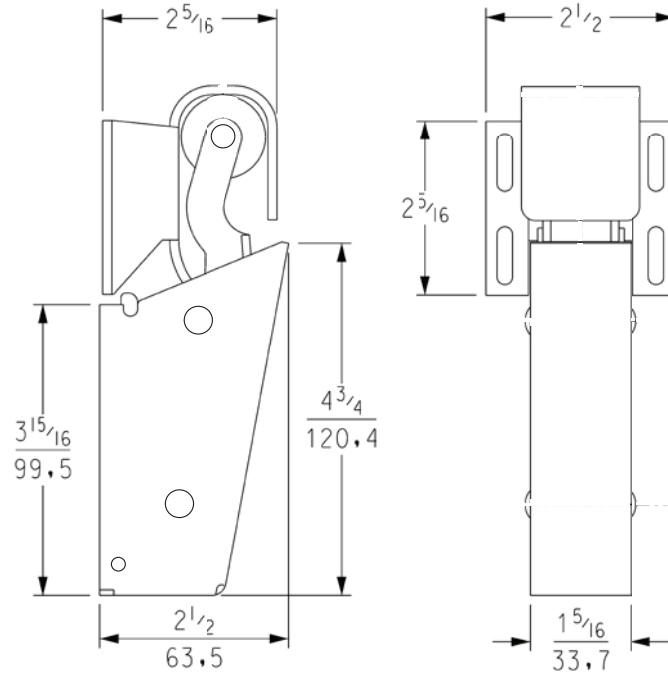
Part No.	Description	Finish	Qty./Carton	Wgt./Carton
11094000026	Adjustable Wide Hook, Flush to 3/4" (0.0 to 19.1 mm) Offset	Polished Chrome	24	10 lb (4.5 kg)
11094000026D	Adjustable Wide Hook, Flush to 3/4" (0.0 to 19.1 mm) Offset	Brushed Chrome	24	10 lb (4.5 kg)
11094000027	Adjustable Wide Hook, 7/8" to 1-5/8" (22.2 to 41.3 mm) Offset	Polished Chrome	24	13 lb (5.9 kg)
11094000027D	Adjustable Wide Hook, 7/8" to 1-5/8" (22.2 to 41.3 mm) Offset	Brushed Chrome	24	13 lb (5.9 kg)
11094000926	Adjustable Stainless Steel Wide Hook, Flush to 3/4" (0.0 to 19.1 mm) Offset	Satin	24	10 lb (4.5 kg)
11094000927	Adjustable Stainless Steel Wide Hook, 7/8" to 1-5/8" (22.2 to 41.3 mm) Offset	Satin	24	13 lb (5.9 kg)

© 2024 Kason Industries, Inc.

1123 LIT 001



1095 Spring Action Door Closer



© U.S. Trademark 4,906,918
Hook sold separately.

- Operates by direct force adding to natural swing momentum of closing door
- Designed to overcome slowing action of gaskets and air pressure
- Provides fast, full closure for heavy walk-in doors
- Easy installation; simply snaps onto concealed mounting plate
- Simple spring mechanism gives long, trouble-free life
- Steel housing and bend-resistant hook assure long wear in heavy use
- Polymer roller ensures quiet operation
- Ideal complement for Kason Walk-in door hardware to provide self-closing doors

Specifications

Material

Steel housing and mounting plate. Housing and hook also available in stainless steel

Finish

Bright chrome. Available in powder coat and stainless steel

Mounting

Drilled for No. 10 (5.0 mm) screws (included)

Weight

See order information

Part No.	Description	Qty./Carton*	Wgt./Carton
11095000013	Steel Closer	24	30.0 lb (13.6 kg)
11095000093	Stainless Steel Closer	24	30.0 lb (13.6 kg)

*Closers and hooks packaged separately.



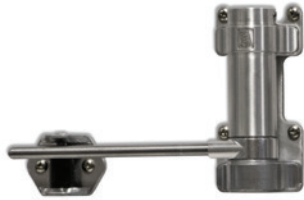
GreenGuard®

1096 Adjustable Door Closers

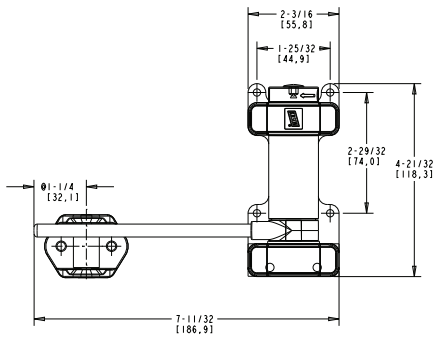
- Accommodates left and right handed doors
- Works with cam rise and fixed pivot hinges
- Aluminum body for improved corrosion resistance
- Central shaft designed with nylon bushings for smooth operation

- Provides closing assistance to move door off dwell (1096L)
- Provides closing assistance for hard to close doors (1096M)
- Torque-limiting clutch prevents over torquing the spring (1096M)
- Strike capture wire retains power arm for safe operation (1096M)

1096L Adjustable Door Closer



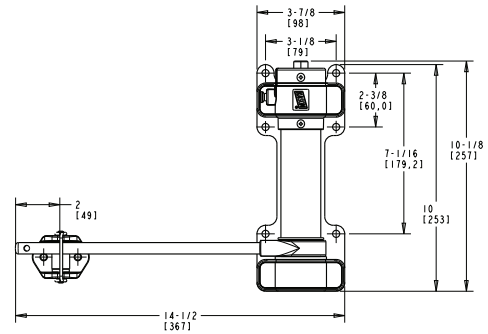
U.S. Patent No. D-897,816



1096M Adjustable Door Closer



U.S. Patent No. D-869,128;
10,280,669; 10,711,498



Specifications

Materials

Mounting Plate: Aluminum
Housing: Cast aluminum
Springs: Steel
Roller: Nylon
Roller Guide: Cast aluminum
Hardware: Stainless steel
Torque Adjuster: Cast aluminum

Packaging

12 per carton

Mounting

Flush to 1-1/8" (28.6 mm) offset, max door opening 180 degrees, for offsets higher than 1-1/8" a shim is required (not included)

Applications

For doors 10 to 75 lb (5 to 34 kg), up to 36" x 96" (91 x 244 cm) or smaller

Part No.	Description
11096L00004	(2) Position Adjustable Door Closer for Walk-In Cooler or Freezer, Door Width 30" to 36", Max Torque: 35 in-lb, Max Force by Arm: 7 lb
11096M00004	(8) Position Adjustable Door Closer for Walk-In Cooler or Freezer, Door Width 36" to 60" Max Torque: 132 in-lb, Max Force by Arm: 11 lb
11096M00024	Through Bolt Mounting Kit to 4" Wall

Specifications

Materials

Mounting Plate: Aluminum
Housing: Cast aluminum
Springs: Steel
Roller: Nylon
Roller Guide: Cast aluminum
Hardware: Stainless steel
Clutch: Aluminum bronze alloy
Indexing Pin: Aluminum bronze alloy
Tube: Aluminum

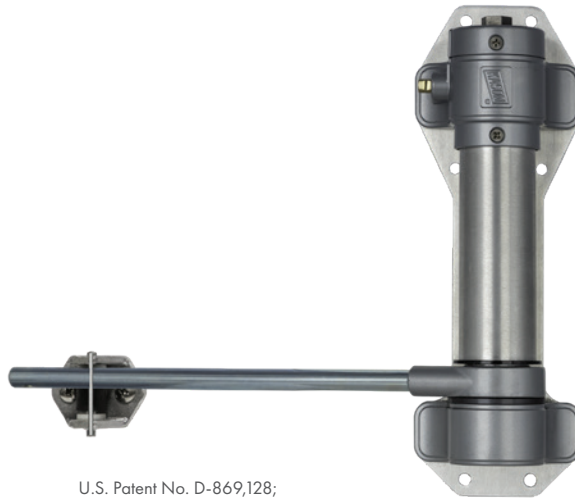
Mounting

Flush to 2" (50.8 mm) offset, max door opening 175 to 180 degrees depending on hinge and offset

Applications

For doors 50 to 250 lb (23 to 113 kg), up to 72" x 120" (183 x 305 cm) or smaller

1096M-6 Adjustable Door Closer



U.S. Patent No. D-869,128;
10,280,669; 10,711,498

- Accommodates left and right handed doors
- Provides additional closing assistance for large or hard to close doors
- Torque adjusting feature allows incremental adjustment using a 5/8" wrench
- Torque arm pivots on a central shaft with nylon bushings to provide smooth quiet transmission of torque
- Torque limiting clutch prevents over torqueing the torsion spring
- Door closer designed to work with cam rise or fixed pivot hinges
- Roller strike capture wireform retains power arm for safe operation
- Improved corrosion resistance with aluminum body construction

Specifications

Materials

Mounting Plate: Aluminum
 Housing: Cast aluminum
 Bottom Housing: Die cast aluminum
 Springs: Music Wire, Raw
 Roller: Nylon
 Roller Guide: Die cast aluminum
 Hardware: Stainless steel
 Clutch: Powder Metal
 Indexing Pin: Powder Metal
 Tube: Aluminum

Mounting

Flush to 2" (50.8 mm) offset, max door opening 175 to 180 degrees depending on hinge and offset

Applications

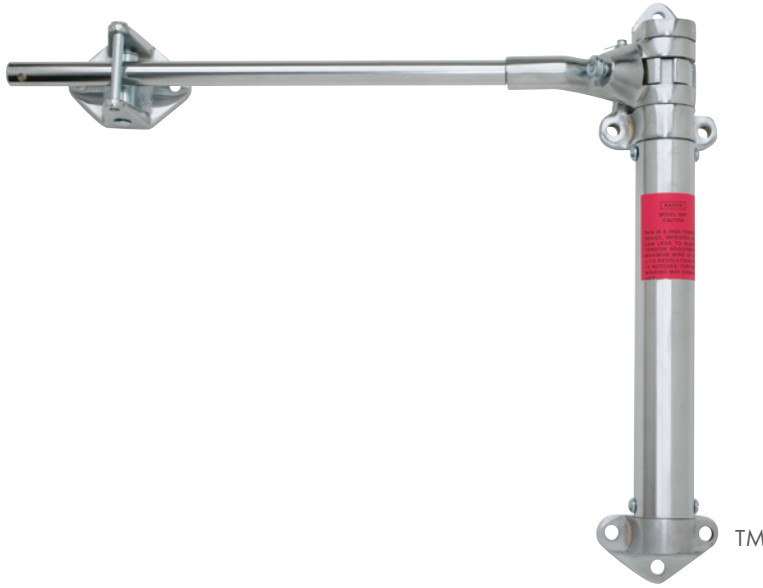
For doors 50 to 250 lb (23 to 113 kg), up to 72" x 120" (183 x 305 cm) or smaller

Part No.	Description
11096M00006	(8) Position Adjustable Door Closer for Walk-In Cooler or Freezer, Door Width 36" to 60" Max Torque: 132 in-lb, Max Force by Arm: 11 lb

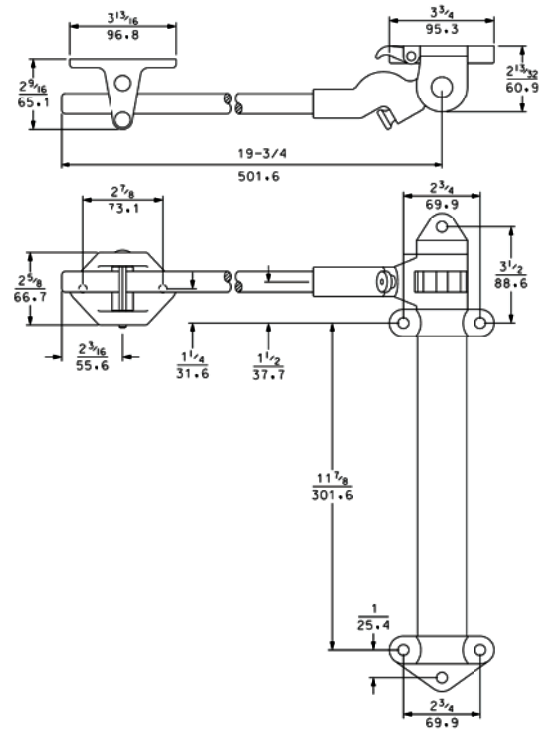


GreenGuard®





Right-hand orientation



- High tension closer recommended for doors exceeding 200 lb (90.7 kg)
- Spring tension can be set to close door under a wide range of conditions
- Roller rod guide assures smooth operation with either rise or fixed pin hinges
- Invert for left-hand applications

Specifications

Material

Malleable iron with steel rod and tube

Finish

See order information

Offset

1-5/8" (41.28) maximum without shimming or special consideration. Contact Kason Customer Service for information about larger offset options.

Packaging

1 per carton

Mounting

Guide drilled for 1/4" (6.0 mm) screws. Closer drilled for 3/8" (9.0 mm) screws (included). Mount just above lower hinge for best results.

Weight

Approx. 13.5 lb (6.1 kg) per carton

CAUTION:

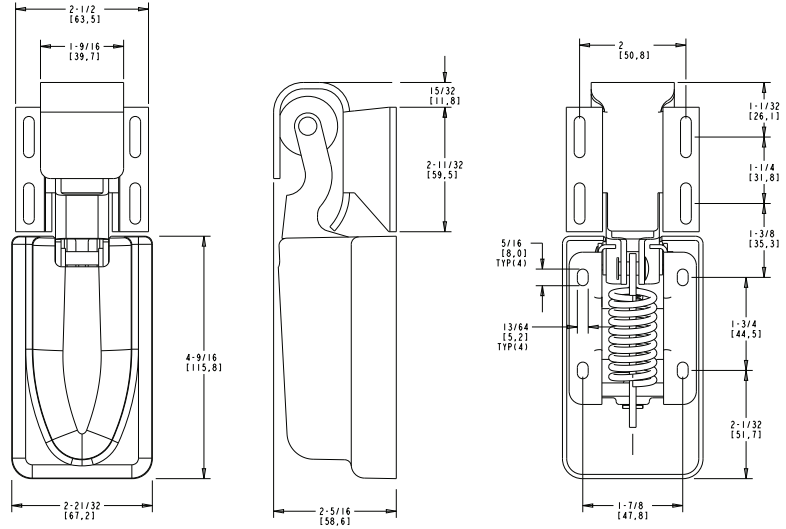
For operator safety, part no. 1097 door closer is intended to be used where high force is necessary to close heavy doors. Mount door closer as low as possible.

This is a high tension device. Improper use can lead to injury. Tension adjustment maximum wind up of 2-1/3 revolutions or 14 notches. Further winding may damage unit. Move pawl out of gear after winding. Do not use to hold door open.

Part No.	Description	Finish
11097000004	Closer	Zinc Plated
11097000008	Closer	Chrome
11097000012	Replacement Spring Cartridge Kit	Zinc Plated
11097000016	Replacement Spring Cartridge Kit	Chrome

	Closed Position	90° Open
Max Force Output	16 lb at 19" from □	18 lb at 19" from □
	300 in-lb	348 in-lb

1098 Spring Door Closer



- Operates by direct force adding to natural swing momentum of closing door
- Designed to overcome slowing action of gaskets and air pressure
- Provides 15 lb of closing force at strike
- Simple spring mechanism gives long, trouble-free life
- Rubber roller ensures quiet operation
- Cover designed to match standard Performer hinge covers

Specifications

Material

Steel housing and mounting plate. Housing and hook also available in stainless steel

Finish

Bright chrome

Mounting

Drilled for No. 10 (5.0 mm) screws (included)

Weight

See order information

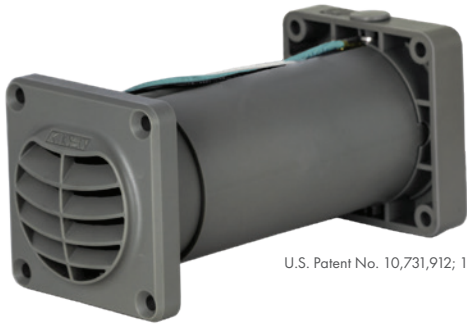
Part No.	Description	Qty./ Carton *	Wgt./ Carton
11098000004	Closer with Flush (0.0 mm) Hook	12	30 lb (13.6 kg)
11098000008	Closer with 1-1/8" (28.6mm) Offset Hook	12	9.5 lb (4.3 kg)
91098003650117G	Replacement Cover	1	9.5 lb (4.3 kg)
11094000026	Adjustable Wide Hook, Flush to 3/4" (0.0 to 19.1 mm) Offset Hook	24	10 lb (4.5 kg)
11094000027	Adjustable Wide Hook, 7/8" to 1-5/8" (22.2 to 41.3 mm) Offset Hook	24	13 lb (5.9 kg)

* Closers and hooks packaged separately.



GreenGuard®





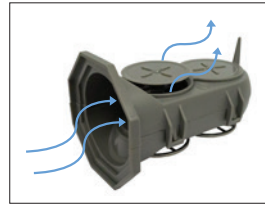
U.S. Patent No. 10,731,912; 10,739,055;

Exterior View

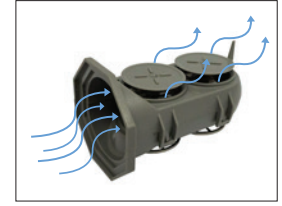


Interior View

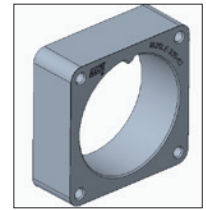
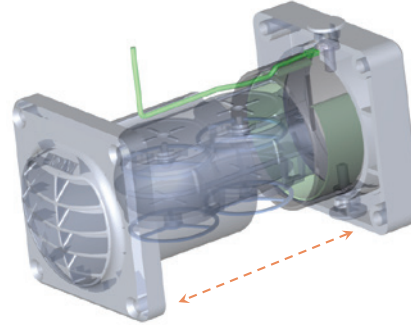
Dual Port Vent Operation



Intermediate Flow



High Flow



Spacer for 3" Wall

- Compact design to fit in tight spaces with improved flow capacity
- Dual port staged valves adjust to airflow conditions making entry/exit easier
- Heater coupled directly to louver mitigates frost accumulation
- 4" to 6" telescopic adjustment provides flexibility for multiple wall thicknesses
- High-flow capacity for walk-in coolers up to 7,000 cf and freezers up to 3,500 cf (per port)
- U.L. File No.: 57306

Specifications

Material

Heater Cover: Gray polycarbonate
 Heated Louver: Die-cast aluminum
 Heater Sleeve: Gray ABS
 Louver Exterior: Gray ABS
 Valve: Gray ABS
 Cap: Gray ABS
 Retaining Wheel: 300 series stainless steel
 Label: Mylar
 Screen: Aluminum
 Screws and Washers: Zinc plated steel
 Heater: Printed element encased in polymer thick film

Electrical

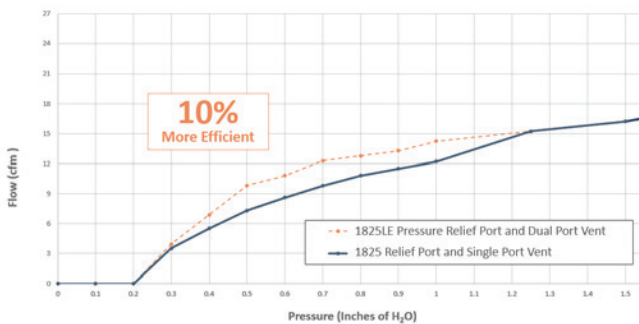
0.05 Amp @ 120 VAC, 50/60 Hz, 5 W heater
 0.03 Amp @ 230 VAC, 50/60 Hz, 5 W heater

Temperature Range

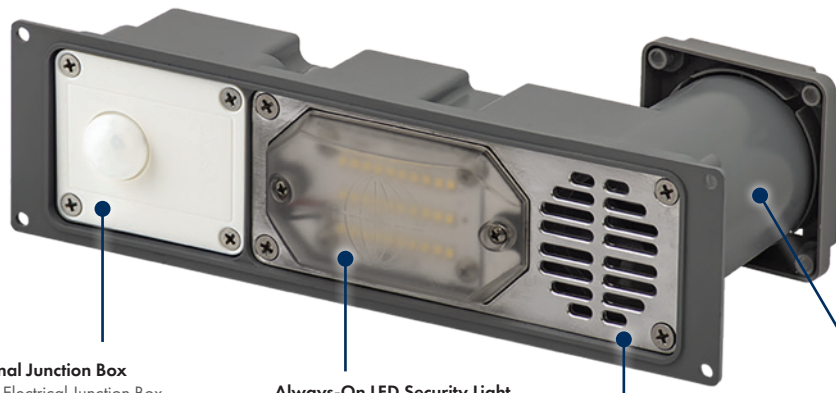
-30°F to 40°F (-34°C to 4.4°C)

Part No.	Description	Qty./Carton	Wgt./Carton
11825LE0004	Pressure Relief Port, 120 VAC, 4" to 6" Wall Thickness	10	6.2 lb (2.8 kg)
11825LE0006	Pressure Relief Port, 230 VAC, 4" to 6" Wall Thickness	10	6.2 lb (2.8 kg)
11825LE0008	Pressure Relief Port, Non-Heated, 4" to 6" Wall Thickness	10	6 lb (2.7 kg)
11825LE3350117	3" Wall Spacer		

Airflow vs Pressure



1826 Intelli-Vent® Modular, LED Heated Pressure Relief Port



Exterior View

© U.S. Trademark 4,269,018
U.S. Patent No. 10,731,912; 10,739,055;
10,845,115,B2

Multi-Optional Junction Box

- Option 1: Electrical Junction Box
 - Clean power source for future needs vs. going through wall
- Option 2: Hands-Free Motion Sensor (Shown above)
 - Low-profile
 - No door switch wiring

Always-On LED Security Light

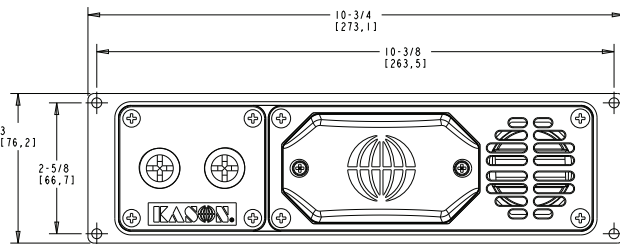
- Energy-efficient
- Doubles as vent heater
- No switch required

Aluminum Louver/Heat Sink

- Prevents ice buildup
- Eliminates the heating element's electrical run

Dual Port Vent

- Doors operate easier and faster
- Capable of horizontal or vertical applications



Electrical Junction Box

- 24/7 Safety Illumination
- Hands-free operation
 - Add-on motion sensor controls ceiling mounted lights
 - Eliminates the touch point of a wall-mounted switch
- Reduces labor by installing a single product
 - No vent heater or light switch electrical runs
- Reduced SKU inventory
 - Separate light switch and motion sensor not required
- 60% faster pressure relief
- Energy saving design
 - LED heats the pressure relief port to avoid frost build-up and condensation
- Compact functionality and improved aesthetics

Specifications

Material

Housing: Polycarbonate
Heat sink: Die-cast Aluminum
ACC Cover: Die-cast Aluminum
Lens: Polycarbonate
Hardware: Stainless steel

Power

11 W, 120-277 VAC, 0.09 A, 50/60 Hz

LED

Output: 1000 lumens, 91 lumens/watt
Color temperature: 4000k

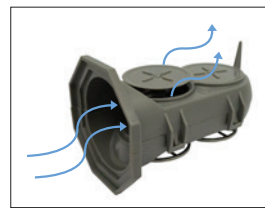
Mounting

Horizontal or vertical installation

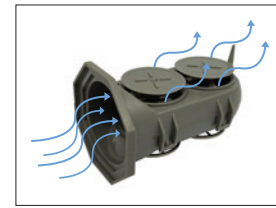
Note

Please visit our Walk-In Vent Estimator page

Dual Port Vent Operation



Intermediate Flow



High Flow

- Kason Engineers designed the dual port vent to accommodate multiple pressure equalization needs to ensure doors always open/close easily.
- The octagonal shape of the port allows both horizontal and vertical installations providing more flexibility to meet your design needs.
 - Dual Port Vent provides 60% faster pressure relief compared to typical single port vent
 - Provides pressure relief for walk-in freezers up to 5,000 cu. ft., and coolers up to 10,000 cu. ft.

Part No.	Description
11826000004	Dual Port Vent Light
118260000M4	Dual Port Vent Light w/ Motion Sensor
11826001901	Motion Sensor, 120/277 Volt
91826004070360	Tube Extension for 5 to 6" Wall



GreenGuard.



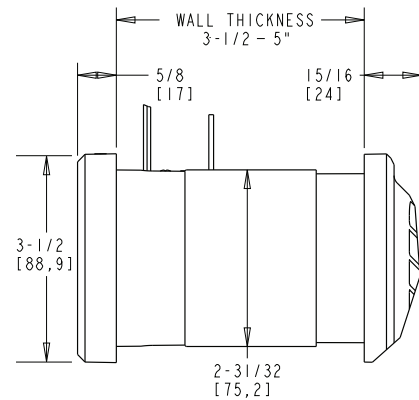
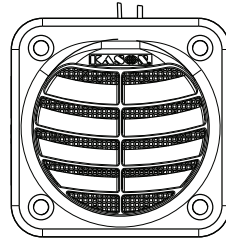
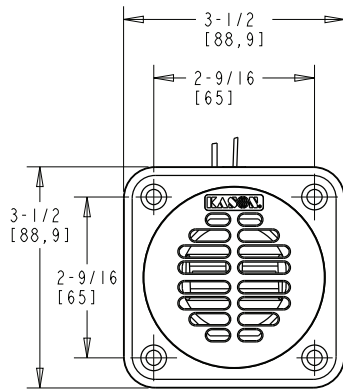


U.S. Patent No. 10,731,912;
10,739,055

Interior View



Exterior View



- Dual port valves adjust to flow conditions to work in a wide range of walk-in sizes and environments
- High-flow capacity for walk-in sizes up to 10,000 cf for coolers, and 5,000 cf for freezers
- Heater coupled directly to louver for better frost resistance, rated down to -30°F (internal temperature of freezer)
- Lower wattage consumes less energy than competitive models of same flow capacity
- Telescopic adjustment for wall thicknesses from 3-1/2" to 5"
- Compact design, fits in tighter spaces than vents with same flow capacity
- NSF listed and UL recognized design

Specifications

Material

- Heated Cover: Gray polycarbonate
- Heated Louver: Die-cast aluminum
- Heater Sleeve: Gray ABS
- Louver Exterior: Gray ABS
- Valve: Gray ABS
- Retaining Wheel: 300 series stainless steel
- Internal Fasteners: Steel, commercial zinc plate
- Label: Mylar
- Screen: Aluminum
- Heater: Wire wound silicone rubber encased element, or etched printed element encased in polymer thick film
- Mounting: (8) #10 (5 mm) flat-head screws (not included)

Power

- 0.05 Amp @ 120 VAC, 50/60 Hz, 6 W heater
- 0.03 Amp @ 230 VAC, 50/60 Hz, 6 W heater

Temperature Range

- 30°F to 40°F (-34°C to 4.4°C)
- U.L. File No.: 57306

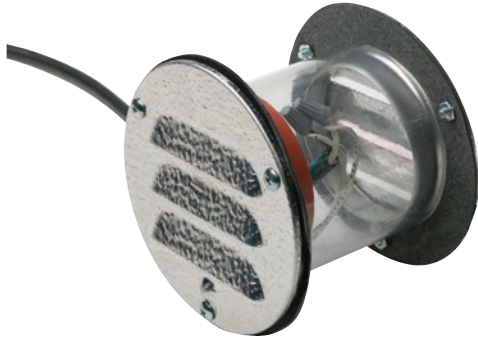
Part No.	Description
11827000004	Pressure Relief Port, 120 VAC, 3-1/2" to 5"
11827000006	Pressure Relief Port, 230 VAC, 3-1/2" to 5"

© 2024 Kason Industries, Inc.

1123 LIT 001



1830 Small/1832 Large Spring Valve Heated Pressure Relief Port



- 1830: 5-3/32" (129.4 mm) diameter round aluminum cover plate
- 1832: 6-1/4" (165.1 mm) diameter round aluminum cover plate or square stainless steel or aluminum cover plate
- Improved to increase air flow for easier opening and closing
- Protects from structural damage because of temperature/pressure build up
- Compensates for air expansion and contraction
- Heated Parts available for freezer applications

Part No.	Description
11830000004	Heated Vent, 23 W, 0.2 Amp @ 120 VAC
11830000008	Heated Vent, 23 W, 0.1 Amp @ 240 VAC
11832000004	Heated Vent, 23 W, 0.2 Amp @ 120 VAC
11832000008	Heated Vent, 23 W, 0.1 Amp @ 240 VAC
11832SA0004	Heated Vent with Sq. Aluminum Louver, 120 VAC
11832SS0004	Heated Vent with Sq. Stainless Steel Louver, 120 VAC
11832SA0001	Square Aluminum Louver
11832SS0001	Square Stainless Steel Louver
91830U04074800	Ins. Sleeve 3-1/2 OD x 48" Long
91832U04074800	Ins. Sleeve 4-41/62 OD x 48" Long

Note: All 1830/1832 Series standard ventilators are for a 4" (101.6 mm) thick wall. When other length is required, specify exact wall thickness. Kason will convert your individual requirement into our part number.

Specifications

Material

Housing: All metal parts are aluminum
Internal Sleeve: Self-extinguishing Lexan

UL Listing

File No. E57306

Length

Standard for 4" (101.6 mm) wall thickness; other lengths available.
Specify exact wall thickness; we will convert to our part number

Mounting

1830: May be mounted through wall or ceiling
1832: Wall mount only. Drilled for No. 8 (4.0 mm) screws

Electrical Requirements:

See ordering information

Packaging

10 per carton

Weight

14 lb (6.4 kg) per carton



Square aluminum or stainless steel louvered cover plate, complete with gasket, available for Parts 1832 and 1836.



1834 Small Spring Valve Unheated Pressure Relief Ports



- 1834: 5-3/32" (129.4 mm) diameter round aluminum cover plate, no heating element
- Improved to increase air flow for easier opening and closing
- Compensates for air expansion and contraction

Specifications

Packaging

10 per carton

Weight

14 lb (6.4 kg) per carton

Part No.	Description
1183400004	Non-heated Vent

1836 Large Spring Valve Unheated Pressure Relief Ports



- 1836: 6-1/4" (165.1 mm) diameter round aluminum cover plate or square stainless steel or aluminum cover plate, no heating element
- Improved to increase air flow for easier opening and closing
- Compensates for air expansion and contraction

Specifications

Packaging

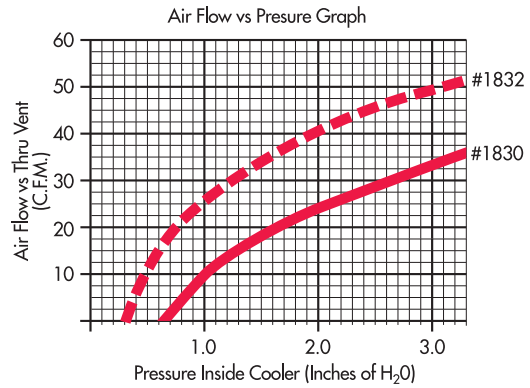
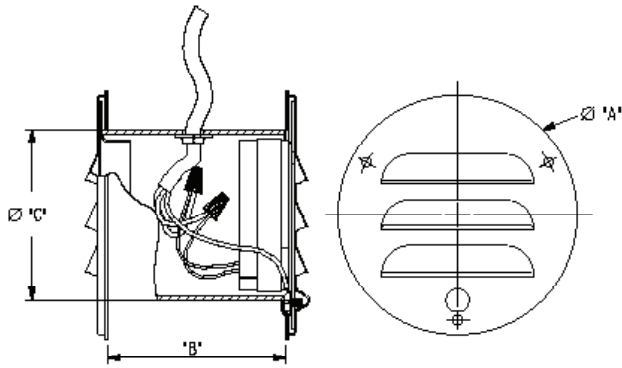
10 per carton

Weight

13 lb (5.9 kg) per carton

Part No.	Description
1183600004	Non-heated Vent
11836SA0001	Non-heated with Sq. Aluminum Louver
11836SS0001	Non-heated with Sq. Stainless Steel Louver

1830 Small/1832 Large Spring Valve Pressure Relief Ports



Comprehensive performance testing has shown that Kason 1830 Series ventilators have better air flow and frost resistance than competitively sized units.

	A	B*	C
1830	5-3/32" (129.4 mm)	4" (101.6 mm)	3-1/2" (88.9 mm)
1834	5-3/32" (129.4 mm)	4" (101.6 mm)	3-1/2" (88.9 mm)
1832	6-1/4" (165.1 mm)	4" (101.6 mm)	4-5/8" (117.5 mm)
1836	6-1/4" (165.1 mm)	4" (101.6 mm)	4-5/8" (117.5 mm)

*Other lengths available. Please specify.

1825LE, 1826, 1827, 1830, and 1832 Pressure Relief Ports Quantity Selector

Volume of Cooler or Freezer		Quantity of Pressure Relief Ports (See Notes)									
		Cooler ⁽²⁾					Freezer ⁽²⁾				
		+10°F (-12.2°C) to +40°F (4.4°C)					-20°F (-28.9°C) to +10°F (-12.2°C) ⁽⁶⁾				
ft ³	(m ³)	1825LE	1826	1830	1827	1832 ⁽⁵⁾	1825LE ⁽⁴⁾	1826	1830	1827	1832 ^{(4) (5)}
2,000	(57)	1	1	1	1	1	1	1	1	1	1
3,000	(85)	1	1	1	1	1	1	1	2	1	1
4,000	(113)	1	1	1	1	1	2	1	3	1	1
6,000	(170)	1	1	2	1	1	2	2	4	2	2
8,000	(226)	1	1	2	1	1				2	2
12,000	(340)	2	1	3	1	1	Use 1827, 1832 ⁽⁵⁾ , or 1832DBL		See Note 4	3	3
16,000	(453)				2	2					4
20,000	(566)	Use 1827 or 1832				2	2				
24,000	(679)				3	2			Use 1832DBL or 1847 ⁽⁵⁾		

NOTES:

(1) The table above should be used as a general guideline only. Kason does not guarantee the results, as many factors beyond those assumed can affect the amount of ventilation required in a refrigerated space. Some of these factors include, but are not limited to: the number of doors in the enclosure, air-tightness of the enclosure, refrigeration load (how quickly the temperature drops), the defrost cycle settings, etc. The experience and past results observed by the manufacturer of the walk-in on similar applications should factor heavily into the final selection. Calculations consider incoming flow only to relieve negative pressure and do not consider positive pressure from swing door closing or temperature increases from evaporator fans running during defrost.

(2) Air flow requirement is based on the following assumed temperature change rates: Freezer (2°F/min). Cooler (1°F/min)

(3) Vent quantities are calculated based on actual measured flow rates at an assumed allowable pressure differential for given temperature change rate: 1825LE = 13 ft³/min @ 0.8" H₂O pressure, 1826 = 18 ft³/min @ 0.8" H₂O pressure, 1827 = 18 ft³/min @ 0.8" H₂O pressure, 1830 = 5 ft³/min @ 0.8" H₂O pressure, 1832 = 21 ft³/min @ 0.8" H₂O pressure, 1832DBL = 21 ft³/min @ 0.8" H₂O pressure, 1847 = 112 ft³/min @ 0.8" H₂O pressure. When box size falls between two rows in chart, use the higher size.

(4) For box temperature less than -20F and/or when humid conditions exist outside box, use 1832DBL

(5) Model 1832DBL is recommended over the 1832 for box temperatures between -20F and -40F. Use model 1847 for boxes this size and larger if box temperature is -30°F or greater. Use 1832, 1827 or 1832DBL in place of 1825LE, 1826 for larger freezers. 1832 DBL Flow is equivalent to 1832

(6) Minimum use temperatures: 1825LE -30°F, 1826 -20°F, 1827 -30°F, 1830 -30°F, 1832 -20°F, 1832DBL -40°F, 1847 -30°F

(7) Opening pressures: 1825LE opens at the lowest pressure (0.1 in H₂O), 1826 at (0.15 in H₂O), 1827 at (0.15 in H₂O), 1832 at (0.3 in H₂O), 1830 Opens at the highest pressure (0.7" H₂O).



Lo-temp version of Kason’s time-tested hi-flow ventilator, specially adapted for freezer applications.

- Extra heated body provided to minimize frost accumulation in deep freeze environment
- Operates efficiently in temperatures from to -40°F to -20°F (-40°C to -28.9°C)
- Protects from structural damage because of temperature and pressure build up
- Compensates for air expansion and contraction

See Part 1832 for flow chart and selection chart.

Part No.	Description	Wall Thickness	Qty. / Carton	Wgt. / Carton
11832DBL004	Lo-temp Vent, 46 W, 0.4 Amp @ 120 VAC	4" (101.6 mm)	10	14 lb (6.4 kg)
11832DBL008	Lo-temp Vent, 46 W, 0.2 Amp @ 240 VAC	4" (101.6 mm)	10	14 lb (6.4 kg)
11832DBL00405	Lo-temp Vent, 46 W, 0.4 Amp @ 120 VAC	5" (127 mm)	8	12 lb (5.5 kg)
11832DBL00805	Lo-temp Vent, 46 W, 0.2 Amp @ 240 VAC	5" (127 mm)	8	12 lb (5.5 kg)
11832DBL00406	Lo-temp Vent, 46 W, 0.4 Amp @ 120 VAC	6" (152.6 mm)	8	13 lb (5.9 kg)
11832DBL00806	Lo-temp Vent, 46 W, 0.2 Amp @ 240 VAC	6" (152.6 mm)	8	13 lb (5.9 kg)
11832SA0001	Square Aluminum Louver			
11832SS0001	Square Stainless Steel Louver			

Contact Kason Representative

Specifications

Material

Inside louver: Aluminum
 Outside louver: Aluminum with screen
 Vent assembly: Aluminum with heater
 Tube: Polycarbonate

Diameter

Louver plate: 6-1/4" (158.8 mm)
 Tube: 4-5/8" (117.5 mm)

Length

Standard for 4" (101.6 mm), 5" (127 mm) and 6" (152.4 mm) wall thickness

Mounting

Mounts through wall. Drilled for No. 8 (4.0 mm) screws

Electrical Requirements

See table

UL Listing

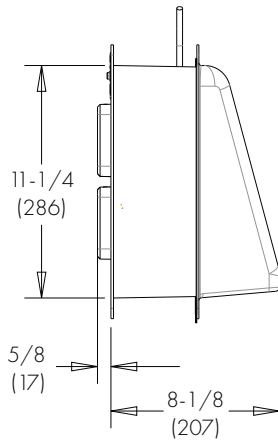
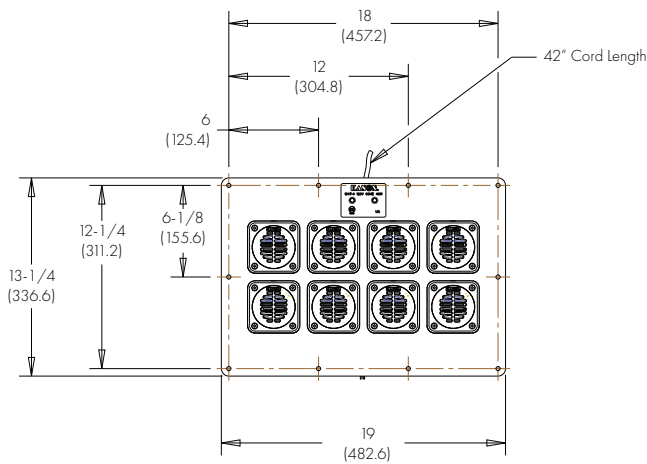
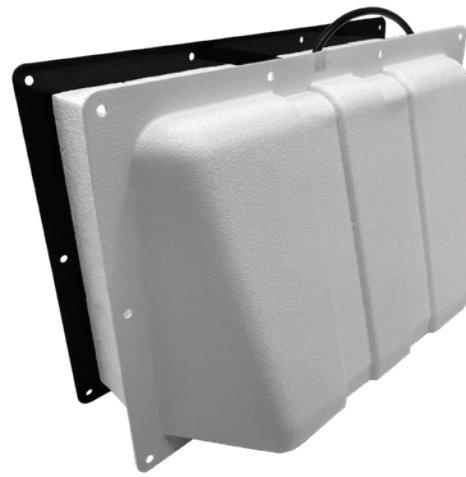
File No. E57306

Options

Square cover plate available special order. Contact a Kason Customer Service Representative for more information.



1847 Intelli-Vent® High-Flow Pressure Relief Port (Replaces 1845 Model)



- High-flow capacity for walk-in freezers and coolers
- Dual port staged valves adjust to airflow requirements
- Heater coupled directly to louver for improved frost resistance
- Rated to -30°F internal temperature of freezer
- Consumes less energy than competitive models of same airflow capacity
- Retrofittable with Kason 1845 Pressure Relief Ports

Specifications

Material

- Front Cover: Black ABS
- Heated Cover: Gray polycarbonate
- Heated Louver: Die cast aluminum
- Heater Sleeve: Gray ABS
- Louver Exterior: White ABS
- Valve: Gray ABS
- Retaining Wheel: 300 series stainless steel
- Barb Lock Stud: Steel, commercial zinc plate
- Label: Brushed Aluminum
- Screen: Aluminum
- Bracket: Black polycarbonate
- Screw and Washers: Zinc plated steel
- Heater: Wire wound silicone rubber encased element, or etched printed element encased in polymer thick film

Power

- 120 VAC, 50/60 Hz, 56 W, 1/2 Amp;
- 230 VAC, 50/60 Hz, 56 W, 1/4 Amp

Temperature Range

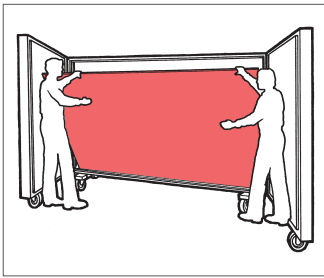
-30°F to 40°F (-34°C to 4.4°C)

UL Listing

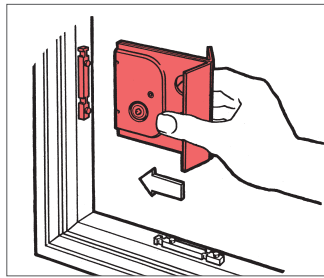
File No.: 57306

Part No.	Description
11847000004	Pressure Relief Port, 120 VAC, 4" to 12" Wall Thickness
11847000006	Pressure Relief Port, 230 VAC, 4" to 12" Wall Thickness

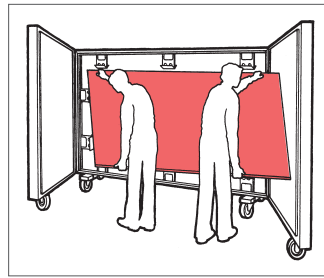




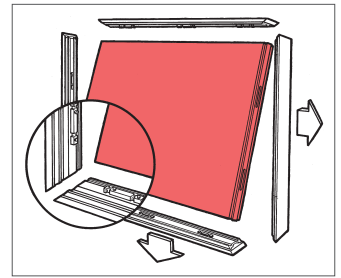
1. Insert outer skin of the panel into the mold.



2. Snap fastener (locking point or strike) onto its unique Kason adapter.



3. Insert inner skin into the molding fixture. Close mold and inject foam.



4. After curing, open the mold and retract edge rails. Remove completed panel with fasteners securely in place. Lock panels using Kason No. 1145 wrench.

You will appreciate this money saving, foolproof method of inserting, accurately positioning and anchoring panel fasteners into your foamed panels. Kason's patented system guarantees you lower costs and greater efficiency in your foaming operations.

Easy Fit

Simply fit the fixtures you already use with Kason precision adapters. The durable, hardened steel adapters become a permanent part of your fixtures.

Precise Position

These timesaving adapters combined with Kason's snap-on/snap-off fasteners assure that each fastener will be positioned properly. No more upside-down or reversed fasteners. It is impossible to put a locking point where a strike should be, because the adapter will not accept it.

Superior Hold

Adapters hold fasteners securely and assure accurate positioning, yet won't interfere with the foaming process. Specially placed holes allow foam to fully fill around fasteners for superior holding power.

Added Value

All Kason Panelock™ fasteners feature our reliable friction drive cam system, which has been fine-tuned for the specific application. Dozens of tests are performed every day by our production departments to assure that fasteners will fully function on the job site.

Specifications

Material

Locking Points: Steel housing and hook, high pressure die-cast cam
Strikes: Steel housing and pin

Finish

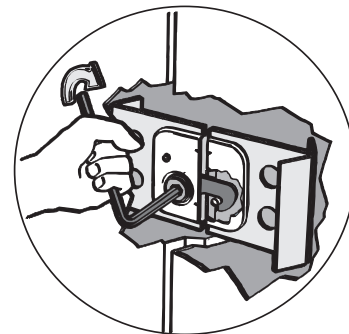
Special wash for improved foam adhesion

-- Adapters and accessories shown on page 121

The Difference is Experience

Give your customers the durability, strength and value they expect with Kason Panelock™ fasteners. Take advantage of our leadership in innovative design and manufacturing as we constantly refine and improve our panel fasteners to meet the increasing demands of the industry.

Panel fasteners are the heart of your walk-in. A job can, literally, fall apart if just a couple fasteners fail. We take panel fasteners seriously. Manufactured under our roof with uncompromising control, Kason Panelock™ fasteners are produced on the latest state-of-the-art automated equipment that inspects every part as it is made. We do this to assure our customers the highest level of consistency and reliability. Ensure the integrity of your walk-in; specify Kason Panelock™ panel fasteners.



Use Kason No. 1145 hexagonal wrench for easy locking of all Kason panel fasteners. See page 117.

Foamed-In-Place Panel Fasteners

Specifications

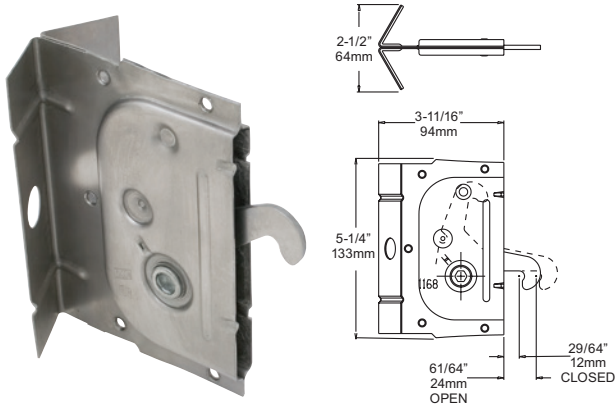
Material

Locking Points: Steel housing and hook, high pressure die-cast cam
 Strikes: Steel housing and pin

Finish

Special wash for improved foam adhesion Adapters and accessories shown on page 117.

Panellock™ 1168RBP Locking Point

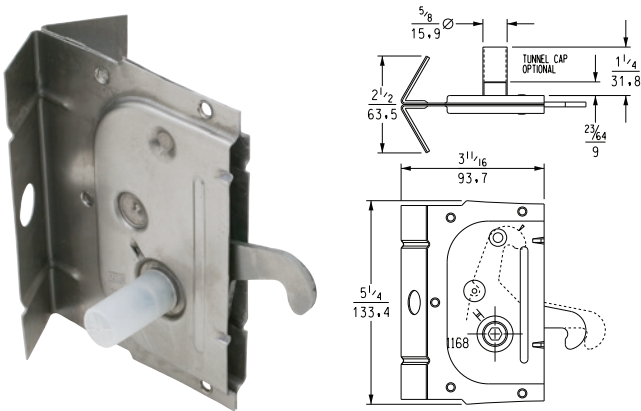


Locking Points, U.S. Patent 9,803,403

- Winged locking point has full 2-1/2" (63.8 mm) wing span for high pull-out strength
- Holes in wings permit a maximum flow of foam and provide additional holding power
- Exclusive hold-back keeps the hook retracted until activated with our No. 1145 hex wrench
- High strength panel fasteners sized for most applications, including short corners and door frames
- Use with No.1169L adapter

Part No.	Description	Qty./Carton	Wgt./Carton
71168RBP004S	Locking Point	250	144 lb (65 kg)
71168RBP004SB	Locking Point	1000	622 lb (282 kg)

Panellock™ 1168RT Tunnel Locking Point

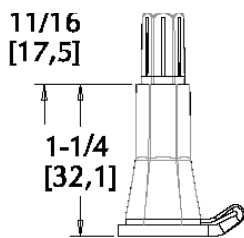


Locking Points, U.S. Patent 9,803,403

- Standard length locking point features wrench tunnel for foam-free wrench path
- Extended cam provides excellent tunnel cap retention during foaming. Caps sold separately
- Unique knock-out allows blind-side wrench access when required.
- Use with No. 1169L adapter

Part No.	Description	Qty./Carton	Wgt./Carton
71168RT0004S	Locking Point	250	148 lb (67 kg)
71168RT0004SB	Locking Point	1000	639 lb (290 kg)
71164000006	Tunnel Cap, 1-1/4" (31.6 mm)	5000	On Request

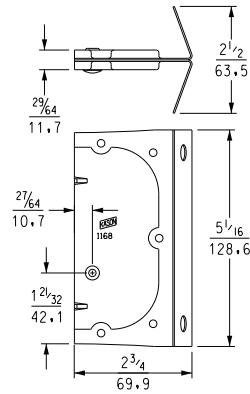
Panellock™ 1164-10 Tunnel Cap



Locking Points, U.S. Patent 9,803,403

- Provides a foam-free wrench path for standard Kason locking points
- Eliminates labor operation to drill out foam for wrench path
- Prevents damage to hex hole from drilling

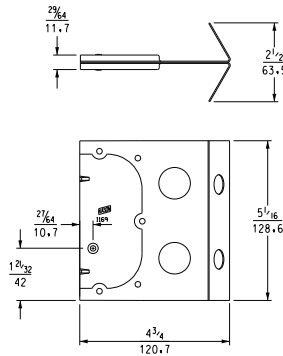
Part No.	Description	Qty./Carton	Wgt./Carton
71164000010	Tunnel Cap, 1-1/4" (31.6 mm)	5000	Ordered Separately



- Full 2-1/2" (63.8 mm) wing span for high pull-out strength. Short, standard fasteners for most applications, including short corners and ceiling and floor panels
- Winged strike is dimpled for use with No. 1169S adapter

Part No.	Description	Qty./Carton	Wgt./Carton
71168RP0008S	Strike	300	103 lb (46 kg)
71168RP0008SB	Strike	1500	561 lb (255 kg)

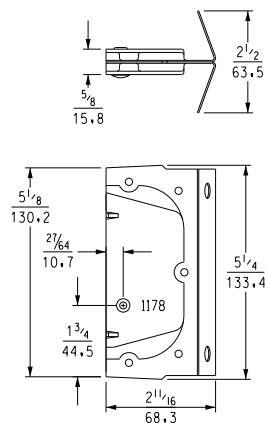
Panelock™ 1169P Strike



- Longer length winged strike provides greater anchoring and higher pull-out strength
- Complements No. 1169BP locking point for high strength applications in large structures
- Use with No. 1169S adapter

Part No.	Description	Qty./Carton	Wgt./Carton
71169P00008S	Strike	200	114 lb (52 kg)
71169P00008SB	Strike	1000	690 lb (314 kg)

Panelock™ 1178RP Wide Mouth Strike



- Wide-mouth strike provides a large area for easy hook engagement
- The 1/2" (12.7 mm) wide clear opening allows the panels to center on themselves
- Panels will align correctly even if fasteners are incorrectly positioned
- Use with No. 1178S adapter

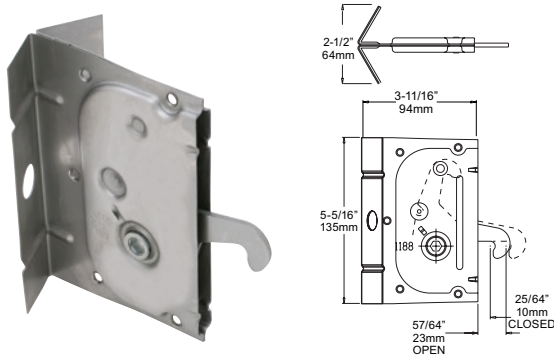
Part No.	Description	Qty./Carton	Wgt./Carton
71178RP0008	Strike	300	109 lb (49 kg)
71178RP0008B	Strike	1500	589 lb (268 kg)

Packaging for international shipment only.

Special Foamed-In-Place Fasteners

Locking Points, U.S. Patent 9,803,403
Adapters and accessories shown on page 117.

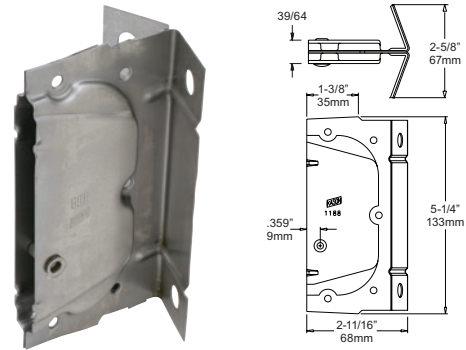
Panelock™ 1188RBP Locking Point



Full 2-1/2" (63.5 mm) wing span provides a high pull-out strength. Locking point sized for majority of applications, including short corners and door frames. Holes permit a maximum flow of foam for additional strength. Exclusive hold-back keeps the hook retracted until activated. Use with No. 1188L adapter.

Part No.	Description	Qty./Carton	Wgt./Carton
71188RBP004S	Locking Point	250	149 lb (68 kg)
71188RBP004SB	Locking Point	1000	643 lb (292 kg)

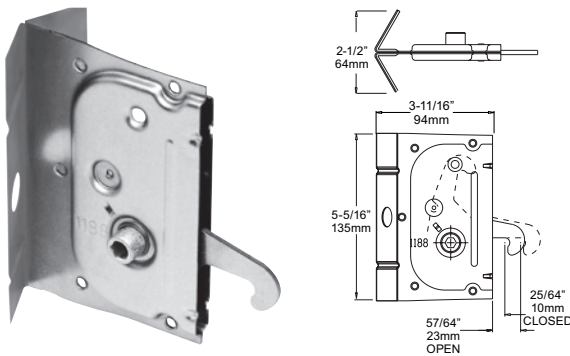
Panelock™ 1188RP Wide Mouth Strike



Wide-mouth strike provides a large area for easy hook engagement. The 1/2" (12.7 mm) wide clear opening allows the panels to center on themselves. Panels will align correctly even if fasteners are incorrectly positioned. Use with No. 1188S adapter.

Part No.	Description	Qty./Carton	Wgt./Carton
71188RP0008S	Strike	300	111 lb (50 kg)
71188RP0008SB	Strike	1500	598 lb (272 kg)

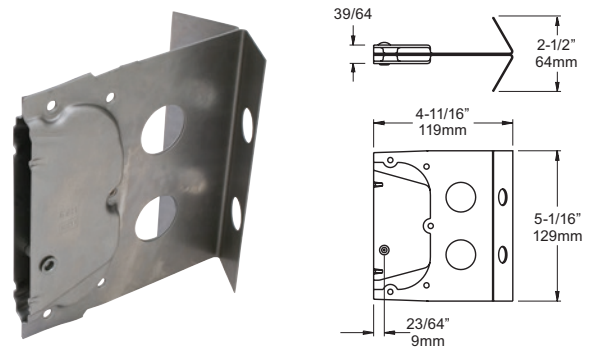
Panelock™ 1188RT Tunnel Locking Point



Standard length locking point features wrench tunnel for foam-free wrench path. Extended cam provides excellent tunnel cap retention during foaming. Caps sold separately. Unique knock-out allows blind-side wrench access when required. Use with No. 1188L adapter.

Part No.	Description	Qty./Carton	Wgt./Carton
71188RT0004S	Locking Point	250	154 lb (70 kg)
71188RT0004SB	Locking Point	1000	661 lb (300 kg)
71164000006	Tunnel Cap, 1-1/4" (31.6 mm)	5000	On Request

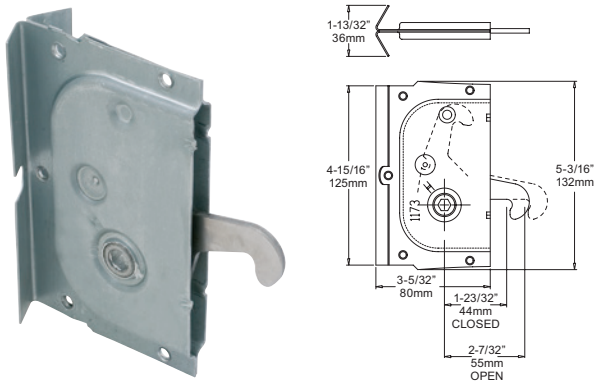
Panelock™ 1189P Wide Mouth Strike



Longer length wide mouth strike assures greater anchoring and pull-out strength. Complements No.1188BP and 1188T locking points for use in high strength applications where extra pull-out resistance is needed. Use with No. 1188S adapter.

Part No.	Description	Qty./Carton	Wgt./Carton
71189P00008SB	Strike	750	475 lb (215 kg)

Panelock™ 1173 Compact Locking Point

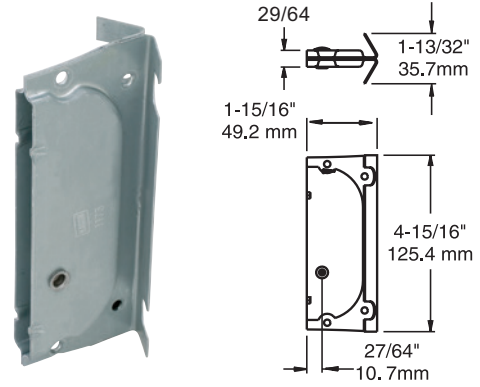


U.S. Patent No. 6,070,919, No. 6,299,224 and others pending

Narrowing locking point combined with No. 1173 strike provides solid lock-up for molded foam-insulated panels as thin as 1-1/2" (38.1 mm). Wing span is 1-13/32" (35.7 mm). Finished panels assemble with No. 1145 hex wrench. Use with No. 1169L adapter.

Part No.	Description	Qty./Carton	Wgt./Carton
71173A00012S	Locking Point	200	102 lb (45.9 kg)

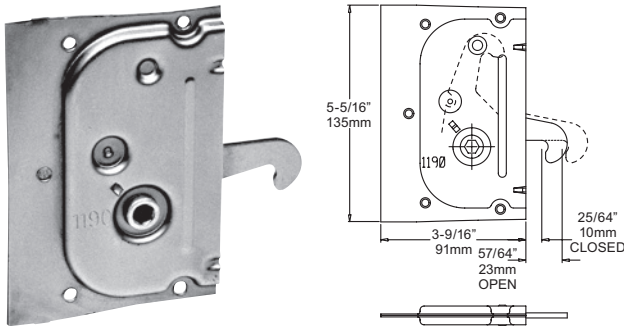
Panelock™ 1173 Strike



Compact strike for use with No. 1173 locking point for special low clearance applications. Use with No. 1169S adapter.

Part No.	Description	Qty./Carton	Wgt./Carton
71173A00008S	Narrow Strike	300	78 lb (35.1 kg)

Panelock™ 1190 Locking Point

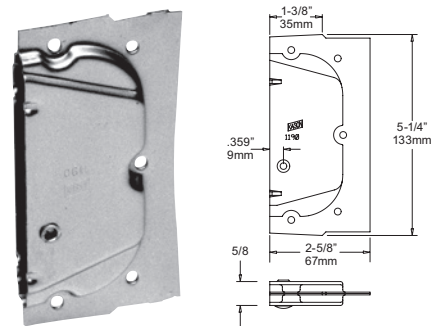


U.S. Patent No. 6,070,919, No. 6,299,224 and others pending

Side mounted locking point attaches directly to frame member. Can be mounted through rivet holes or with welded straps. Fully enclosed housing protects mechanism during foaming. Use with No. 1188L adapter.

Part No.	Description	Qty./Carton	Wgt./Carton
71190000004SB	Locking Point	2000	980 lb (445 kg)

Panelock™ 1190 Strike

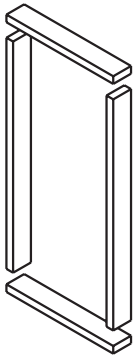


U.S. Patent No. 9,803,403; 9,863,143

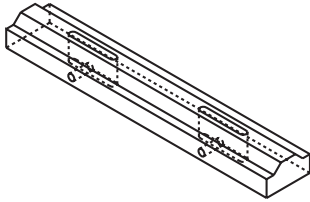
Side mounted strike pairs with No. 1190 locking point for solid panel lock-up. Attach directly to frame member through rivet holes or with welded straps. Fully enclosed pocket keeps pin clear during foaming. Use with No. 1188S adapter.

Part No.	Description	Qty./Carton	Wgt./Carton
71190000008SB	Strike	2000	680 lb (308 kg)

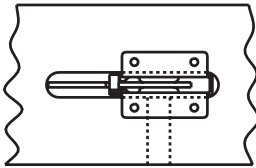
Rigid Rail Panel Fasteners



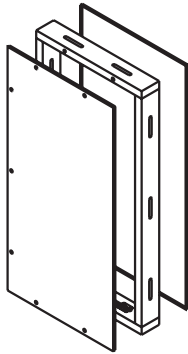
1. Cut frame material to form panel perimeter.



2. Determine locations for fasteners and mortise, dado, or rout slots. Drill wrench holes. (If using No. 1156 pins, drill pin holes.)



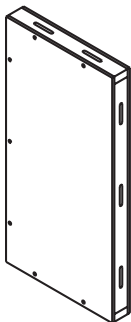
- 3a. Place fastener in slot and nail or staple in place.
- 3b. If using No. 1156 pin, insert in drilled pin holes. (Taping of back may be required when foaming.)



4. Assemble frame with panel skins.



5. Clamp panel in restraining fixture and inject foam.



Specifications

Material

Locking Points: Steel housing and hook, high pressure die cast cam

Strikes and Pins: Steel

Versatile Fasteners for Wood, High-Density Foam or Metal Frame Rails

This series of Kason fasteners allow versatility and economy in prefabricated panel manufacturing. Build sectional units of almost any size and shape using wood, high-density foam or metal frame rails with Kason Panelock™ fasteners.

Locking points and strikes may be combined to accommodate a range of thicknesses, rail materials and joint types.

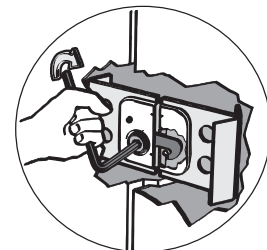
Manufactured from heavy-gauge steel, Rigid Rail Fasteners feature our patented cam system for great strength and reliable lock-up.

Kason fasteners are used in your prefabricated panels for walk-in coolers and freezers, display cases, modular building construction, shipping containers, partitions, sauna baths, and more.

The Difference is Experience

Customers receive the durability, strength and value they expect with Kason Panelock™ fasteners. Take advantage of Kason's leadership in innovative design and manufacturing. Constant refining and improvement of these panel fasteners is conducted to meet the increasing demands of the industry.

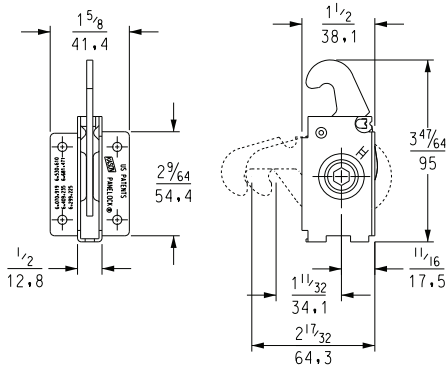
Panel fasteners are the heart of walk-ins. A job can literally fall apart if just a couple fasteners fail. Kason takes panel fasteners seriously. Manufactured with uncompromising control, Kason Panelock™ fasteners are produced on the latest state-of-the-art automated equipment that inspects every part as it is made. This assures our customers the highest level of consistency and reliability. Insure the integrity of your walk-ins: specify Kason Panelock™ panel fasteners.



Use Kason No. 1145 hexagonal wrench for easy locking of all Kason panel fasteners. See page 117.

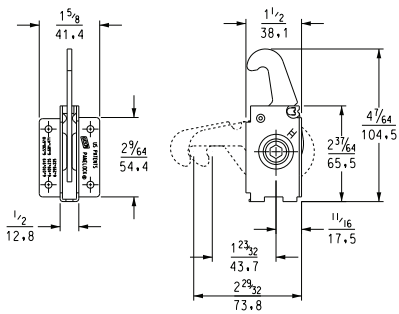
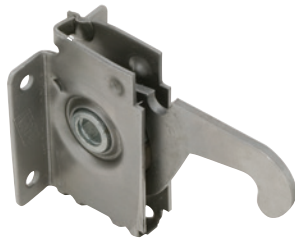
Panelock™ 1156A Locking Point

Typical application for tongue and groove rails where fasteners are nailed or stapled to rails. Housing designed to resist spreading in high density foam rails under heavy loading.



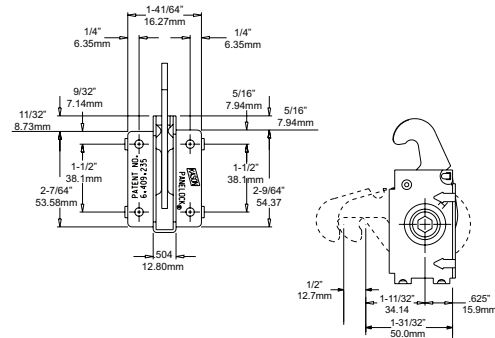
Panelock™ 1156B Locking Point

Same as No. 1156A, except with 3/8" (9.5 mm) additional hook reach; for use with butt joint panels or thick rails.



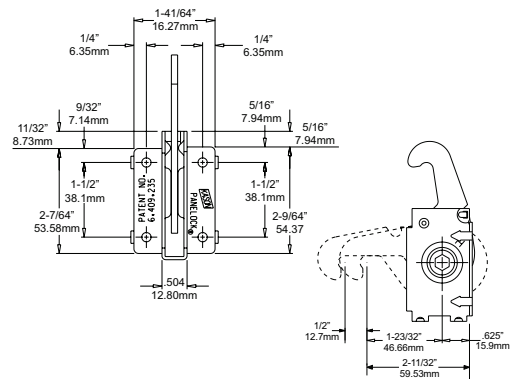
Panelock™ 1153A Barbed Locking Point

- 1156 locking points available in all-stainless steel construction for high corrosion or specified applications. See Part numbers with STN after the "A" or "B"
- Extra spread-resistant versions of the 1153 and 1156 are available which provide the ultimate in load rating for high-wind load applications. Special cam hub shape resists spreading of the casing under high loads. See Parts with "SR" after the "A" or "B"



Panelock™ 1153B Barbed Locking Point

Functionally interchangeable with No. 1156B, with added feature of self-securing barbs. Eliminates the need for nails or staples in soft rail materials.



Part No.	Description	Qty./Carton	Wgt./Carton
71156A00002	Locking Point	150	45 lb (20 kg)
71156B00002	Locking Point	150	47 lb (21 kg)
71156AFM001	Panelock™ Frontmount Short Hook	50	14.5 lb (6.6 kg)
71156BFM001	Panelock™ Frontmount Long Hook	20	8 lb (3.6 kg)
71156ASTN02	Stainless Steel Locking Point	150	45 lb (20 kg)
71156BSTN02	Stainless Steel Locking Point	150	47 lb (21 kg)
71156ASR002	Spread Resistant Locking Point	150	45 lb (20 kg)
71156BSR002	Spread Resistant Locking Point	150	45 lb (20 kg)

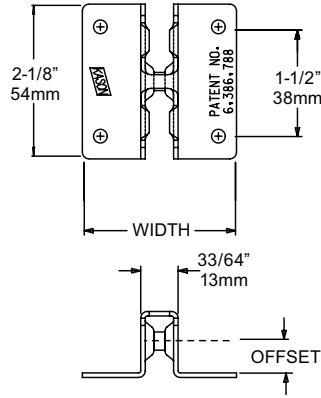
Part No.	Description	Qty./Carton	Wgt./Carton
71153A00002	Locking Point	150	45 lb (20 kg)
71153B00002	Locking Point	150	47 lb (21 kg)
71153ASR002	Spring Resistant Lock Point	150	45 lb (20 kg)
71153BSR002	Spring Resistant Lock Point	150	47 lb (21 kg)

Unbreakable Panel Fastener Strikes

Kason's unbreakable panel fastener strikes won't let go under the most severe conditions. Engineered to be the best for use in rigid rail systems, they specifically resist spreading, which can cause other types of rigid rail strikes to pop open. The Kason No. 1154 and No. 1155 actually get stronger the harder they are pulled.

Failed fasteners, for any reason, cause dissatisfied customers and call backs. Rely on Kason to engineer and produce a panel fastener strike that will accommodate the most severe overloads and still hold tight.

Panelock™ 1155 Strike

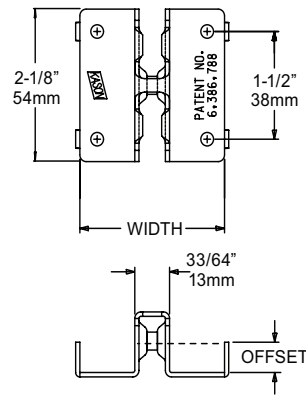


Flange-mounted enclosed strikes eliminate the need to drill a hole for pins. Large flanges help spread the load for better bearing on rails of soft materials. Available in pin-to-flange offsets to suit a wide variety of rail thicknesses. Centerline mark provided for easy positioning.

Part No.	Offset	Width	Wgt./Carton
71155000437	7/16" (11 mm)	2-1/8" (54 mm)	29 lb (13 kg)
71155000500	1/2" (13 mm)	2" (51 mm)	29 lb (13 kg)
71155000625	5/8" (16 mm)	1-3/4" (44 mm)	29 lb (13 kg)
71155000688	11/16" (18 mm)	1-5/8" (41 mm)	29 lb (13 kg)
71155000750	3/4" (19 mm)	1-1/2" (38 mm)	29 lb (13 kg)
71155000812	13/16" (21 mm)	1-3/8" (35 mm)	29 lb (13 kg)

Packaging: 250 per carton

Panelock™ 1154 Barbed Strike



Functionally interchangeable with No. 1155 strike, with added feature of self-securing barbs. Eliminates the need for nails or staples in soft rail material.

Part No.	Offset	Width	Wgt./Carton
71154000437	7/16" (11 mm)	2-9/64" (54 mm)	29 lb (13 kg)
71154000500	1/2" (13 mm)	2-1/64" (51 mm)	29 lb (13 kg)
71154000562	1/26" (14 mm)	1-57/64" (48 mm)	29 lb (13 kg)
71154000625	5/8" (16 mm)	1-49/64" (45 mm)	29 lb (13 kg)
71154000688	11/16" (18 mm)	1-41/64" (42 mm)	29 lb (13 kg)
71154000750	3/4" (19 mm)	1-33/64" (38 mm)	29 lb (13 kg)
71154000812	13/16" (21 mm)	1-25/64" (44 mm)	29 lb (13 kg)

Packaging: 250 per carton

Panelock™ 1156 Strike Pins

A strike pin yields the highest strength when inserted into drilled holes in rails of hard materials. Standard length is 3-1/4" (82.6 mm) for 4" (101.6 mm) rails. Use with No. 1156 and 1153 locking points.

Part No.	Pin Length	Qty./Ctn.	Wgt./Carton
71156000036	3-1/4" (83 mm)	500	24 lb (11 kg)

Other lengths available on request.

- Ideal for prefabricated foam-insulated panels
- High-impact polystyrene housing provides exceptional strength
- Kason's time-tested, high-strength steel hook and pin with die-cast cam ensure precision locking
- Slotted wings permit maximum flow of foam
- Jig fixing holes and pins assure corrected fit

U.S. Patent No. 6,070,919

Specifications

Material

Body: All metal parts are aluminum
Internal Sleeve: Self-extinguishing Lexan

Dimensions

Fixing Hole Centers: 122 mm
Fixing Hole Diameter: 8 mm/10 mm
Extended Hook: 39 mm
Retracted Hook: 28 mm

Panelock™ 1172/1174 Panel Fasteners

- 1172: Use in 73 mm, 100 mm, and 150 mm panels
- 1174: Use in narrower wall panels and ceiling panels where space is restricted

Jig Pins

Each pin is machined differently to ensure accurate fastener mounting. See ordering table below for correct usage.

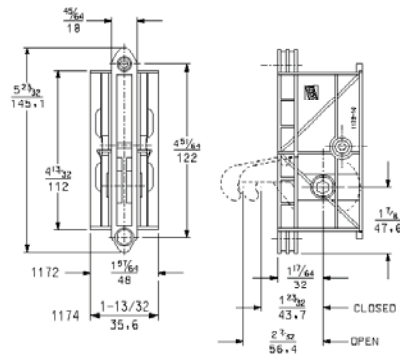
Finish Caps

See Accessories, page 116

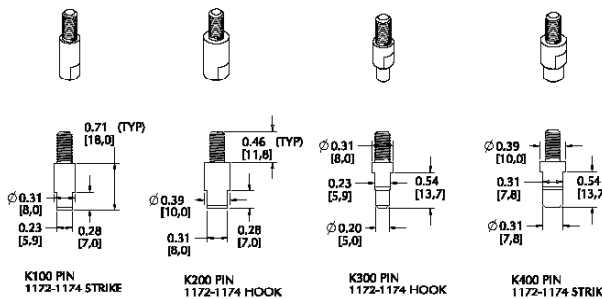
1172-10 & 1174-10



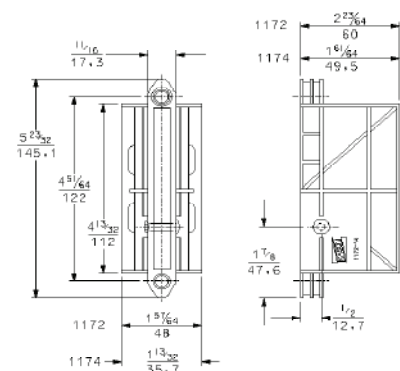
Part No.	Description	Qty./Carton	Wgt./Carton
71172000010	Hook Assembly	210	62 lb (28 kg)
71172000014	Strike Assembly	150	25 lb (11.3 kg)
71174000010	Hook Assembly	210	55 lb (25 kg)
71174000014	Strike Assembly	150	46 lb (21 kg)
7K100000000	Jig Pin for 1172/74 Strike	100	2.2 lb (1.0 kg)
7K200000000	Jig Pin for 1172/74 Hook	100	2.6 lb (1.2 kg)
7K300000000	Jig Pin for 1172/74 Hook	100	2.2 lb (1.0 kg)
7K400000000	Jig Pin for 1172/74 Strike	100	2.6 lb (1.2 kg)



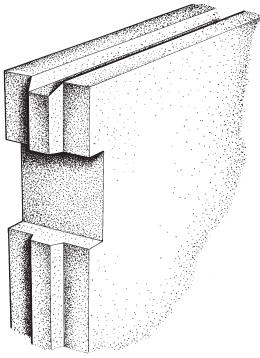
K100/K200/K300/K400 Pin



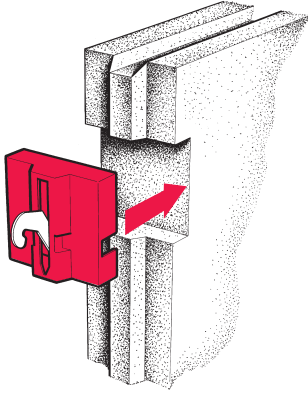
1172-14 & 1174-14



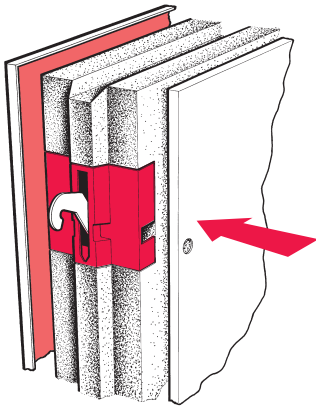
Panelock™ Slab Foam Panel Fasteners



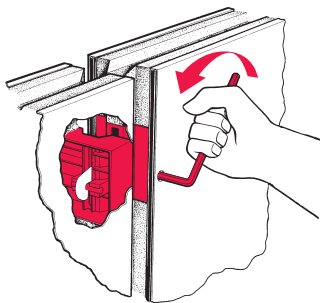
1. Cut insulating material to size. Shape tongue and groove surfaces. Notch panel for fastener.



2. Insert plastic housing, either locking point or strike, as needed.



3. Apply adhesive to metal skins. Laminate foam between two skins and apply pressure for bonding. (Return bend on metal helps to hold fastener in place.)



4. After curing, panels are ready for assembly. Completed panels are easily locked in position at assembly site using the Kason No. 1145 wrench.

How to Build Insulated Panels Without Costly Tooling

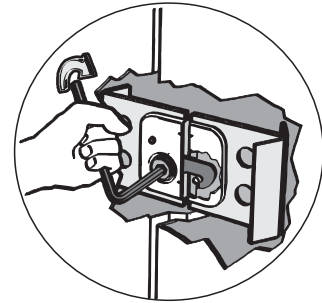
Minimize expensive production equipment when building panels with Styrofoam, styrene bead board or urethane board stock. Combine Kason slab fasteners with 3" (76.2 mm), 4" (101.6 mm) or 6" (152.4 mm) foam board to produce lightweight, prefabricated insulated panels.

Fasteners are grooved to assure that mating panels can be easily aligned on the job site.

The Difference is Experience

Give customers the durability, strength and value they expect with Kason Panelock™ fasteners. Take advantage of our leadership in innovative design and manufacturing as we constantly refine and improve our panel fasteners to meet the increasing demands of the industry.

Panel fasteners are the heart of your walk-ins. A job can literally fall apart if just a couple fasteners fail. We take panel fasteners seriously. Manufactured under our roof with uncompromising control, Kason Panelock™ fasteners are produced on the latest state-of-the-art automated equipment that inspects every part as it is made. We do this to assure our customers the highest level of consistency and reliability. Insure the integrity of your walk-ins by specifying Kason Panelock™ panel fasteners.



Use Kason No. 1145 hexagonal wrench for easy locking of all Kason panel fasteners. See page 117.



U.S. Patent No. 9,803,403

Part No.	Description	Qty./Carton	Wgt./Carton
71151000004	Fastener set 4" (102 mm)	100	50 lb (23 kg)
71151000006	Fastener set 6" (152 mm)	100	68 lb (31 kg)

Use this fastener set with slab foam panels when no gasket is required between panels. Provides a firm metal-to-metal and plastic-to-plastic seal.

Specifications

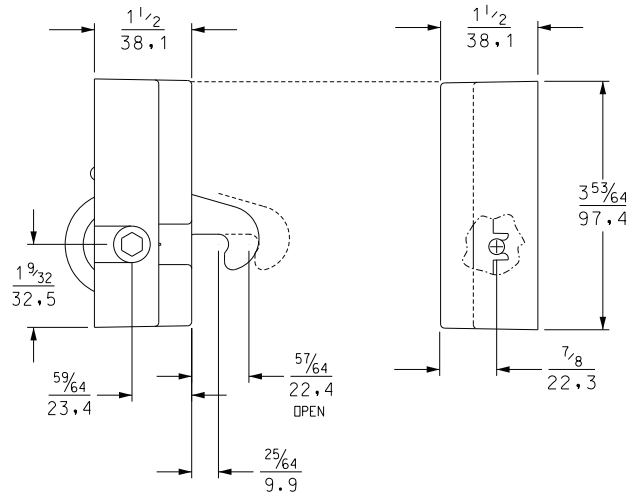
Material

Housing: High impact, black thermoplastic
Hook & Pin: Steel

Panelock™ 1152 Plastic Block Fastener



U.S. Patent No. 9,803,403



Part No.	Description	Qty./Carton	Wgt./Carton
71152000003	Fastener set 3" (76 mm)	200	78 lb (35 kg)
71152000004	Fastener set 4" (102 mm)	100	50 lb (23 kg)
71152000014	Panel Fastener 4" Hook	160	50 lb (23 kg)
71152000024	Panel Fastener 4" Strike	160	36 lb (16 kg)
71152000044	Pin Hsg only 4"	160	35 lb (16 kg)
71152000006	Fastener set 6" (152 mm)	100	68 lb (31 kg)
71152FB0004	Fastener set 4" (102 mm) with Foam Insulation (Set)	100	51 lb (23 kg)
71152FB0044	Pin Hsg with Foam Insulation 4"	160	36 lb (16 kg)

Designed for use where gasketed panel joints are required. When locked, fastener set accommodates up to a 3/32" (2.4 mm) gasket build up between locking point and strike.

Pictured: 1152FB with foam insulation

Specifications

Material

Housing: High impact, white thermoplastic
Hook & Pin: Steel

*Size available with foam insulated backing

© 2024 Kason Industries, Inc.

1123 LIT 001

Snap-in Finish Caps

Use to cover wrench hole borings.

Panelock™ 1138 Finish Cap



Specifications

Material

Polyethylene

Finish

Opaque white or gray

Size

3/4" (19.0 mm) diameter

Panelock™ 1147 Finish Cap



Specifications

Material

Brass

Finish

Chrome

Size

1/2" (12.7 mm) diameter

Panelock™ 1145 Hex Wrench



Required to lock all Kason panel fasteners.

Specifications

Material

Hardened steel

Size

6" x 6" (152.4 mm)

Part No.	Description	Qty./Carton	Wgt./Carton
7113800000	Finish Cap, White	5000	12 lb (5 kg)
7113800004	Finish Cap, Gray	5000	12 lb (5 kg)
7114700004	Snap-in Cap	2000	7 lb (3 kg)
7114500005	Hex Wrench, Hardened Steel	75	20 lb (9kg)

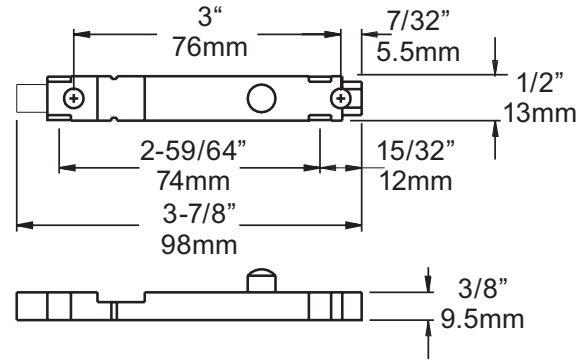
- Exclusive adapters complete the Kason patented system of foamed-in-place panel fasteners
- Locating grooves on adapters provide center line for easy positioning on rails.
- Case-hardened steel construction for long wear

Note: L adapters accept only locking points.
S adapters accept only strikes

Part No.	Description	Qty./Carton	Wgt./Carton
71169L00004	Adapter	200	24 lb (11 kg)
71169S00004	Adapter	200	18 lb (8 kg)
71178S00004	Adapter	200	28 lb (13 kg)
71188L00004	Adapter	200	31 lb (14 kg)
71188S00004	Adapter	200	36 lb (16 kg)

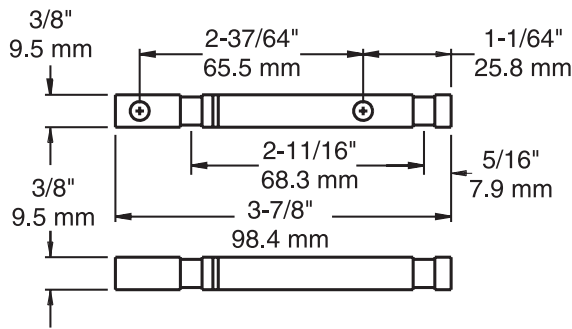
Panelock™ 1178S Adapter

For use with No. 1178 strike.



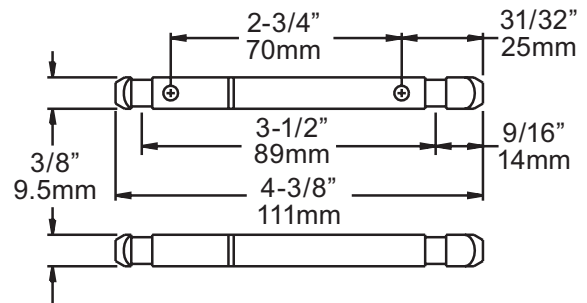
Panelock™ 1169L Adapter

Use with No. 1168, 1169 and 1173 locking points.



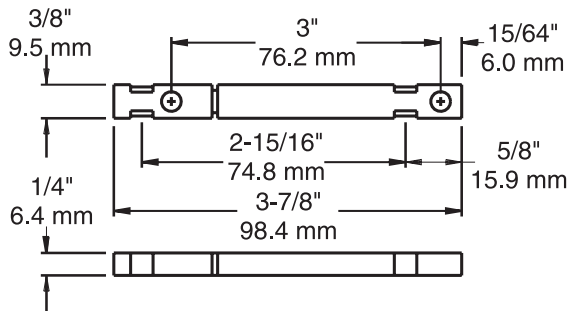
Panelock™ 1188L Adapter

For use with No.1188 and 1190 locking points.



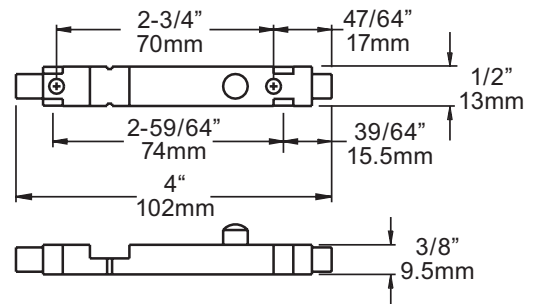
Panelock™ 1169S Adapter

For use with No. 1168, 1169, and 1173.



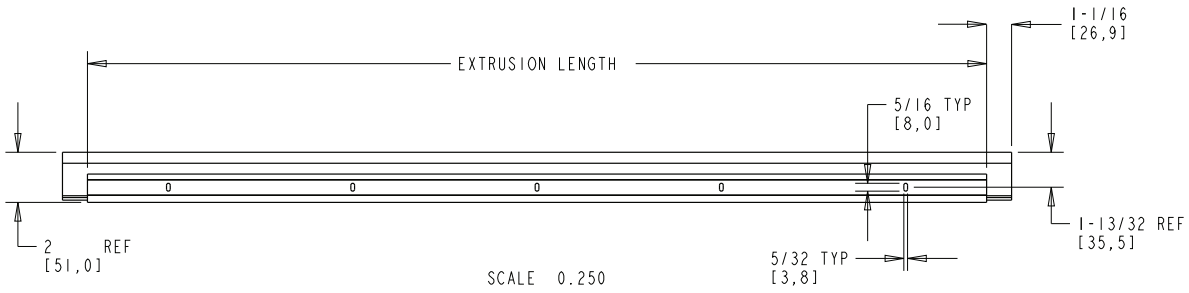
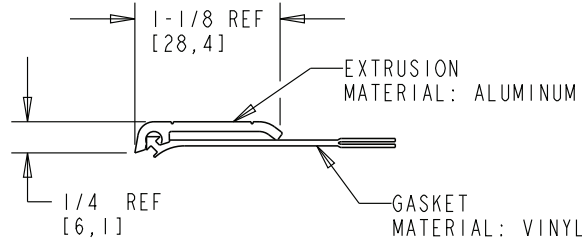
Panelock™ 1188S Adapter

For use with No. 1188, 1189 and 1190 strikes.



© 2024 Kason Industries, Inc.
1123 LIT 001

100WG Sweeper Gasket



- Energy saving positive door seal
- Sturdy aluminum extrusion
- Flexible vinyl sweeper
- Slotted mounting holes for proper aligning

Part No.	Description
100WG000036	Sweeper Gasket 36"
100WG000048	Sweeper Gasket 48"