

KASON INSIDE RELEASE HANDLES

486 WIDE RECESSED HANDLE

SPECIFICATIONS

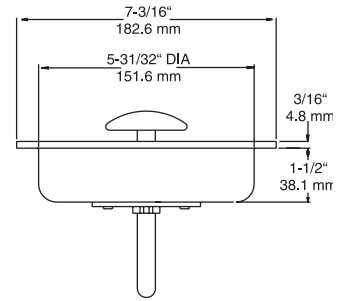
MATERIAL:
Kasonized zinc-plated steel rod and plate, plastic recessed housing, Safety-Glow™ plastic knob.

MOUNTING:
Holes drilled for No. 10 (5.0mm) screws.

OPTION:
Available with frost-resistant fiberglass rod.

PACKAGING:
1 per carton.

WEIGHT:
Approx. 6 lb. (2.7kg) per carton.



ITEM # 486

486*F RECESSED HANDLE

SPECIFICATIONS

MATERIAL:
Fiberglass rod, stainless steel plate, plastic recessed housing, Safety-Glow™ plastic knob.

ITEM # 486-900



486 INSIDE BUMPER GUARD

- Mounts over existing 486 wide inside release cup.
- Rugged construction to protect inside release mechanism from damage
- Inside release sold separately

SPECIFICATIONS

MATERIAL:
Cast Aluminum

See order information.

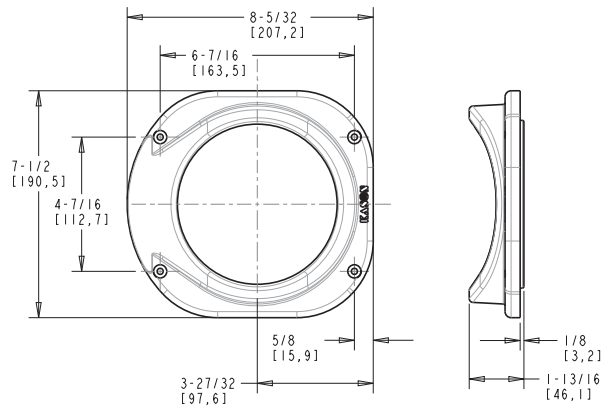
PACKAGING:
1 per carton.

FINISH:
Brushed Aluminum

MOUNTING:
Holes drilled and countersunk for #10 (5.0mm) screws.

WEIGHT:
Approx. 6 lb. (2.7kg) per carton.

OFFSETS:



Model No.	Item
10486000900	Inside Release Cover

489 NARROW RECESSED HANDLE

SPECIFICATIONS

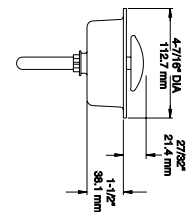
MATERIAL:
Kasonized zinc-plated steel rod and plate, plastic recessed housing, Safety-Glow™ plastic knob

MOUNTING:
Holes drilled for No. 10 (5.0mm) screws

OPTION:
Available with frost-resistant fiberglass rod

PACKAGING:
24 per carton

WEIGHT:
Approx. 18 lb. (8.2kg) per carton



ITEM # 489

KASON
0489 NARROW RECESSED HANDLE
WALK-IN
NSF

480 COLLAPSIBLE HANDLE

- Ideal for truck and shipboard use where cargo can contact handle

SPECIFICATIONS

MATERIAL:
Steel

MOUNTING:
Holes drilled for No. 10 (5.0mm) screws.

WEIGHT:
Approx. 30 lb. (13.6kg) per carton

FINISH:
Kasonized (Zinc plated)

PACKAGING:
36 per carton.

ITEM # 480

