

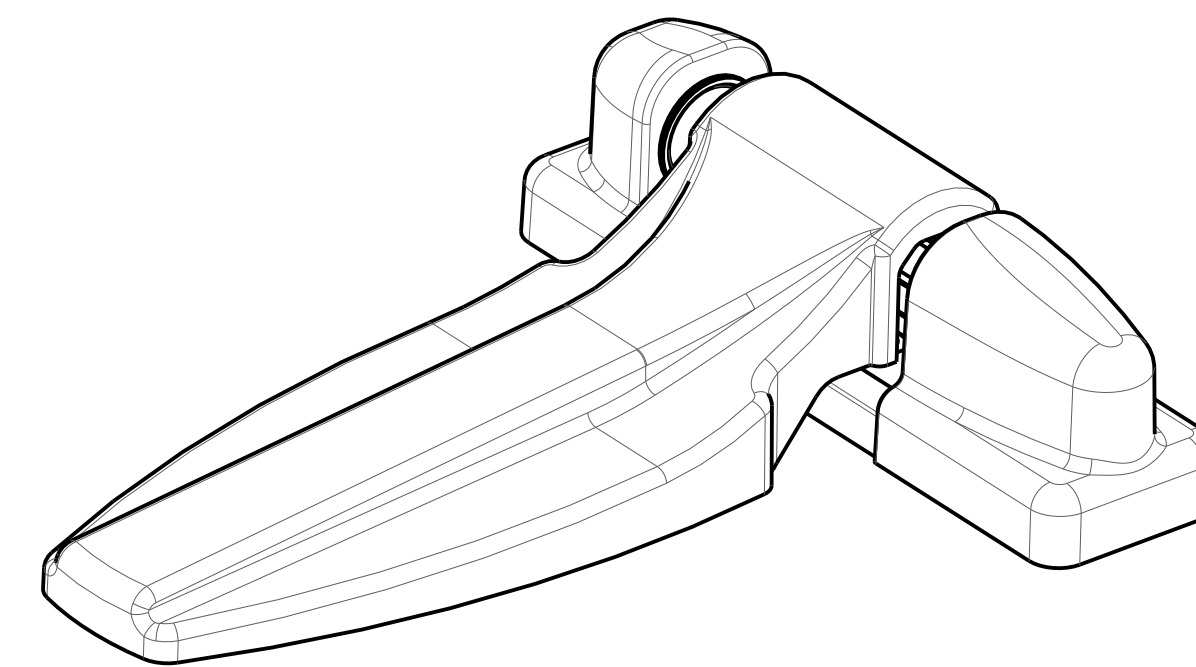
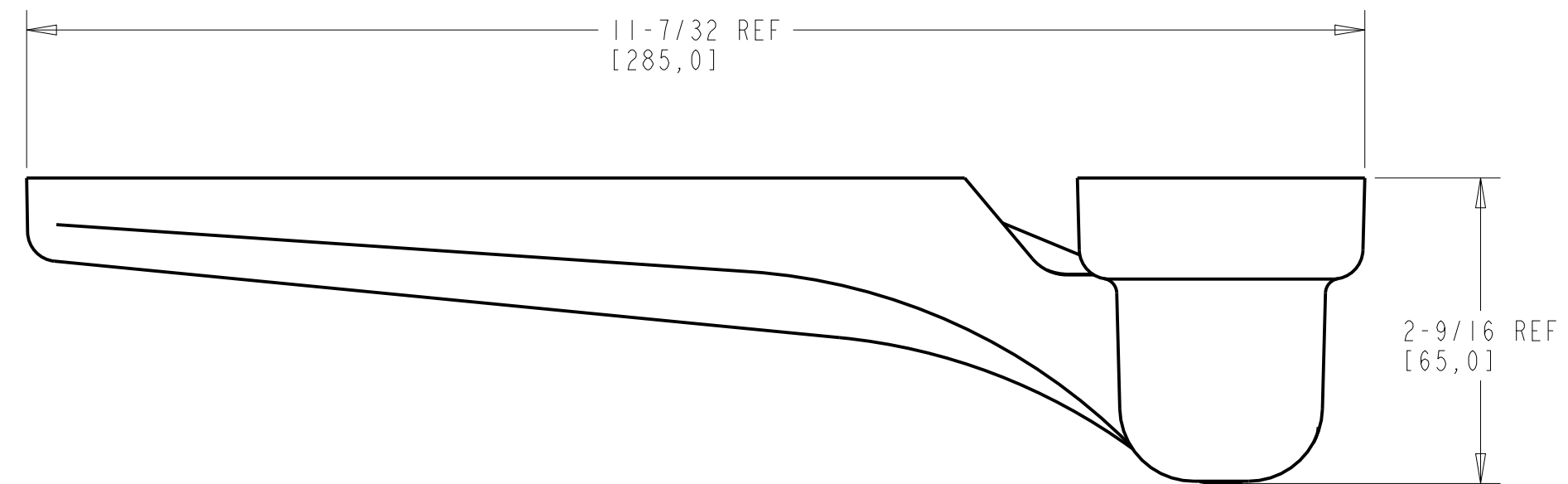
### 1345-5AK STANDARD COVERS

- For use with 1345000004 and 1345000008 steel hinge assemblies.
- Polycarbonate material provides added impact strength
- Retaining clip and snap features hold strap cover in place
- Flange covers snap tightly into place - No screws.
- Snap-in cover to guard against bugs and debris build-up.

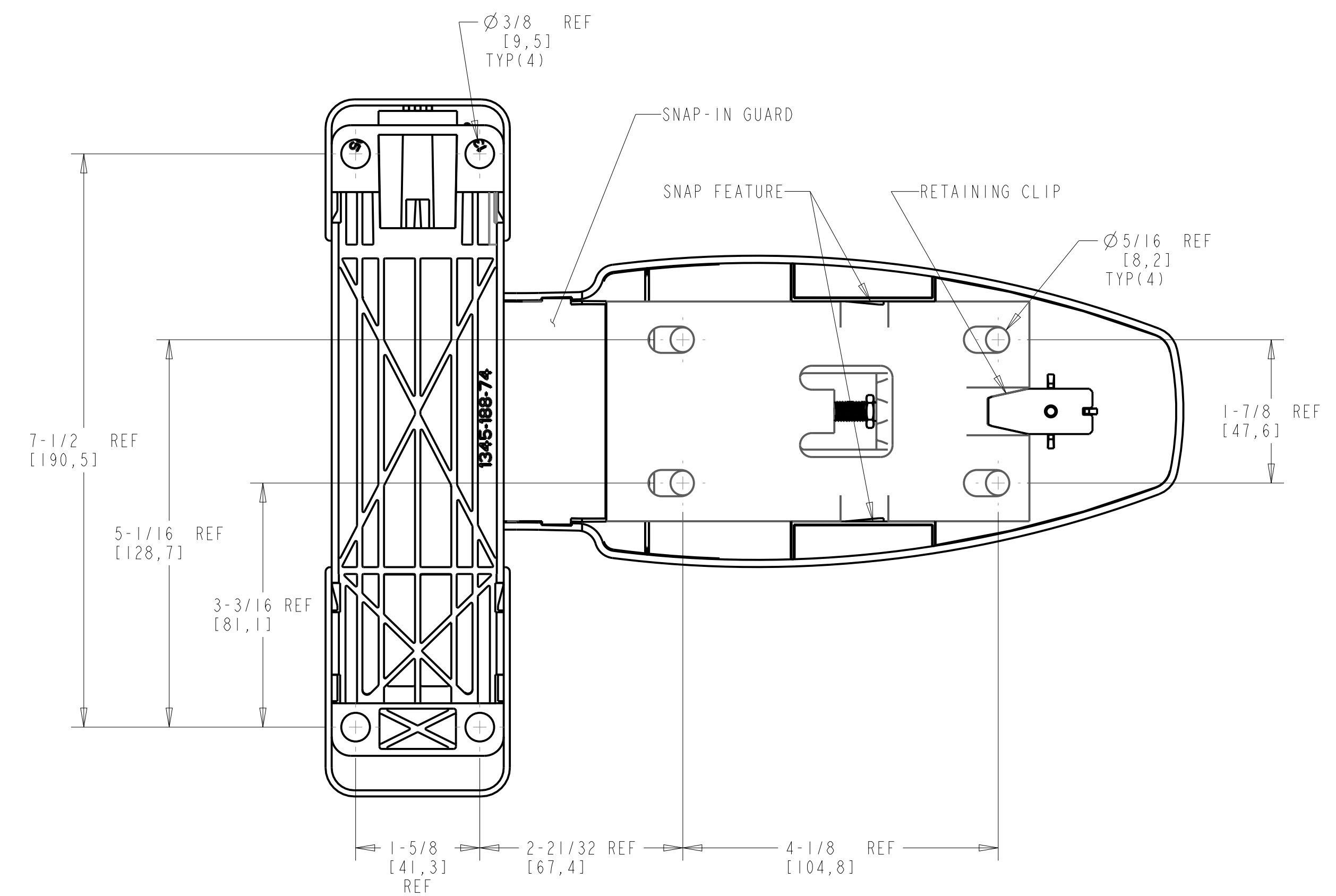
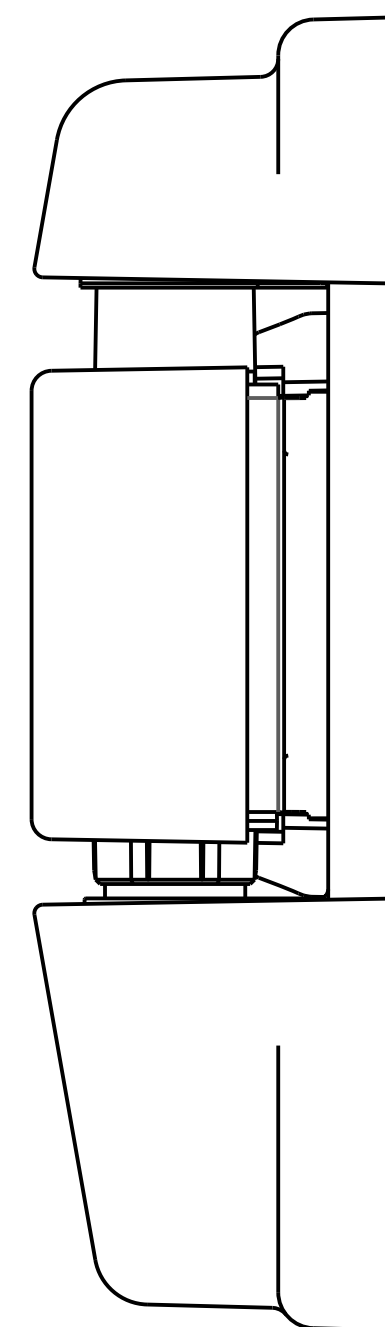
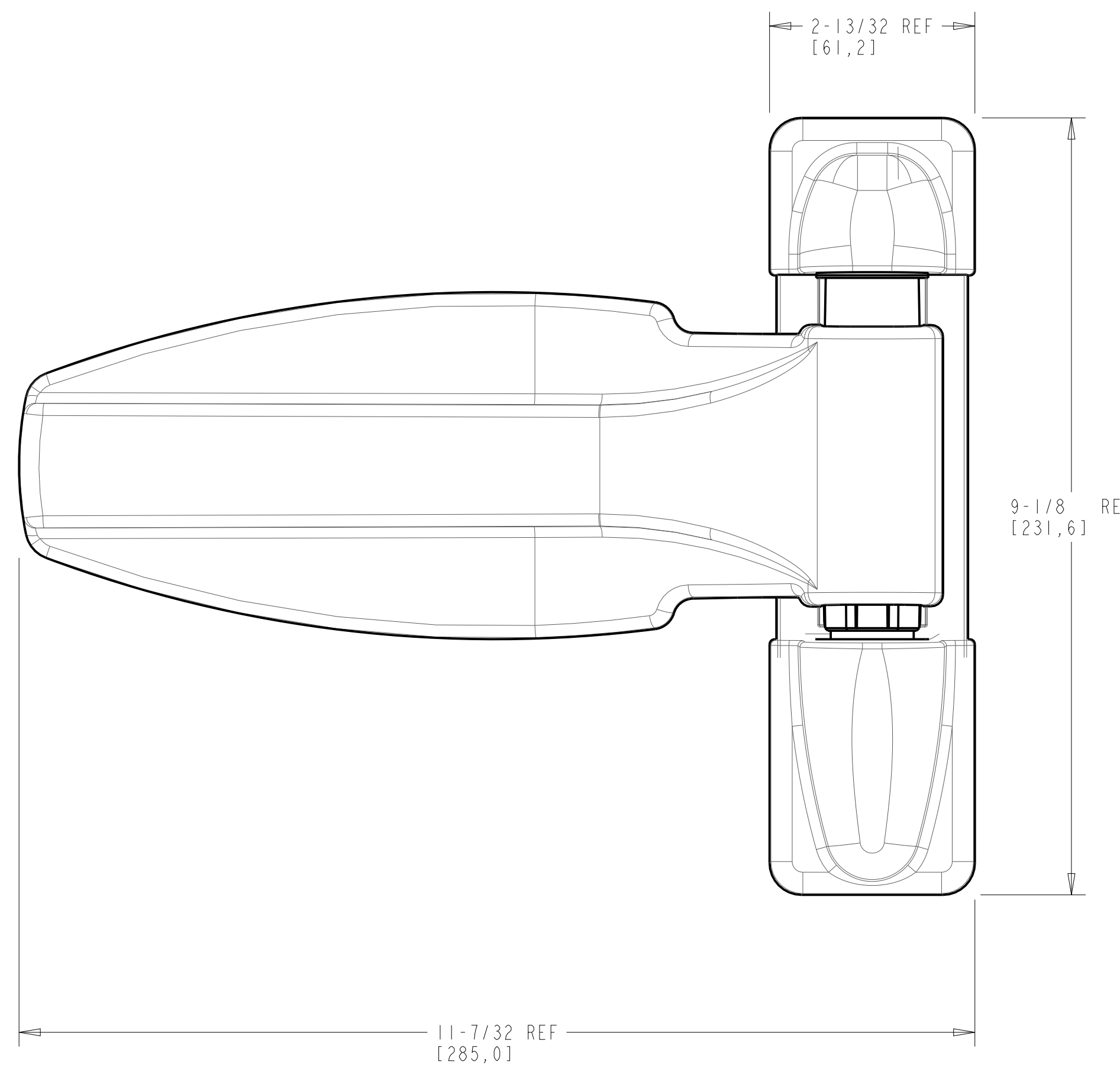
#### SPECIFICATIONS

Material: Polycarbonate  
Finish: Nickel-Silver as moulded

Model No.	Item
1345000005AKY	1345 Cover Set, Nickel Silver w/ Guard



SCALE 0.500



SPECIFICATION SHEET		
KASON INDUSTRIES, INC. SHENANDOAH, GA		
TITLE 1345-5AK COVERS		
DATE 01/25/11	DRAWING NO. SS-1345-21	SCALE 0.750