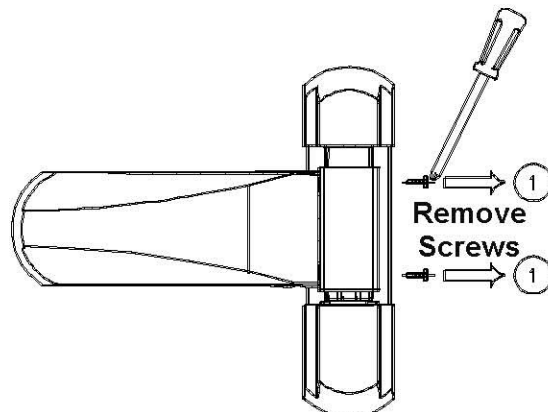
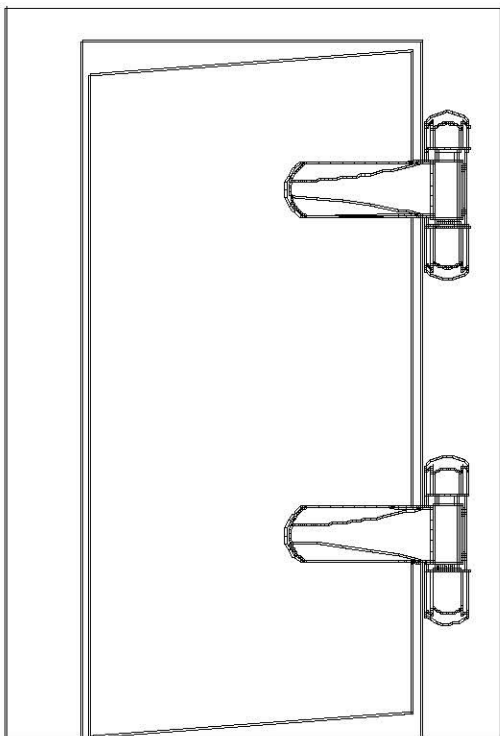


Kason Industries, Inc.

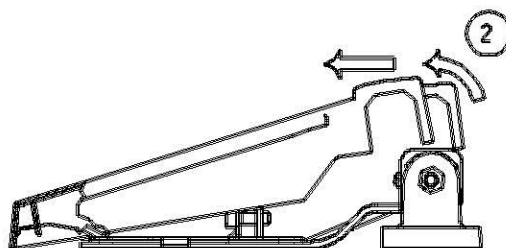
1345 Hinge

Door Adjustment Instructions

GreenGuard
BY KASON INDUSTRIES

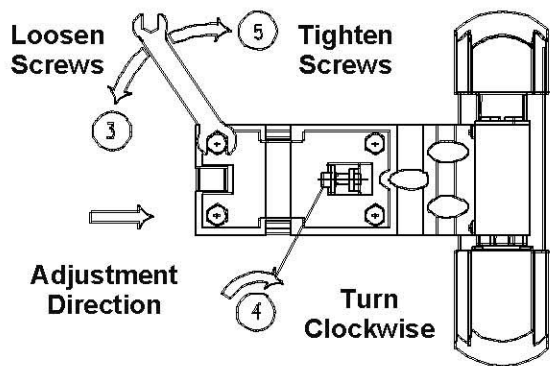


1. Remove 2 screws holding cover to hinge.



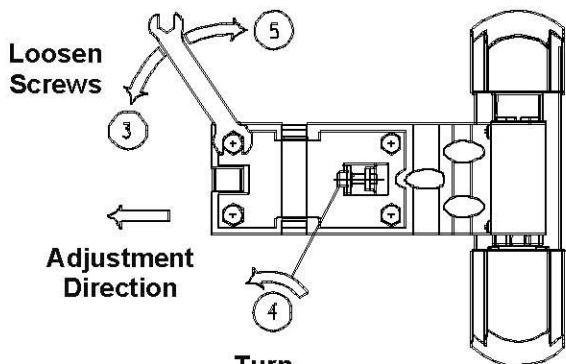
2. Gently lift cover to clear flange and slide as shown above.

To Adjust Door Sag



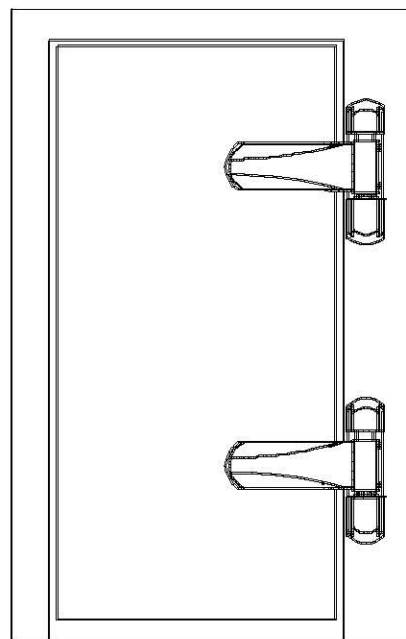
3. Loosen 4 mounting screws on each hinge.

4. Adjust door by turning top hinge adjustment screw clockwise and bottom hinge adjustment screw counter-clockwise so door spacing is even.

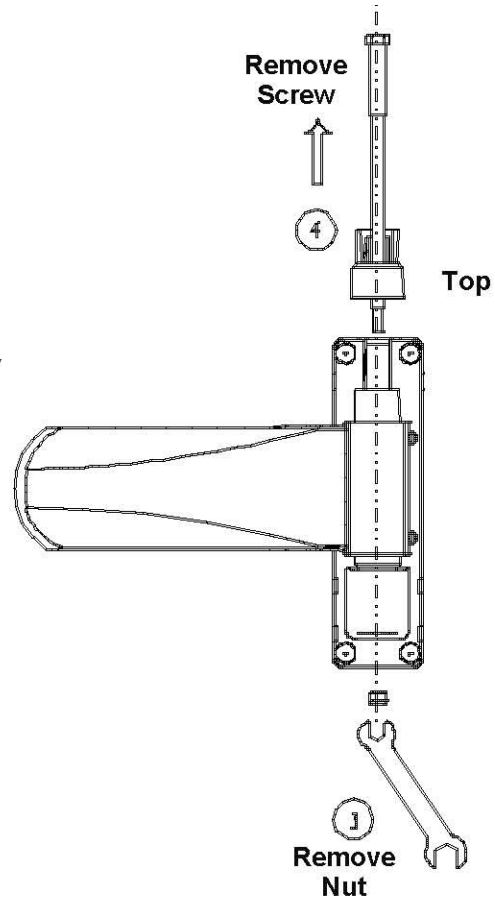
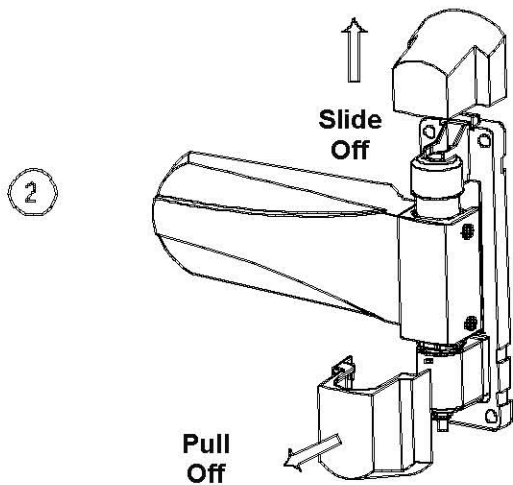
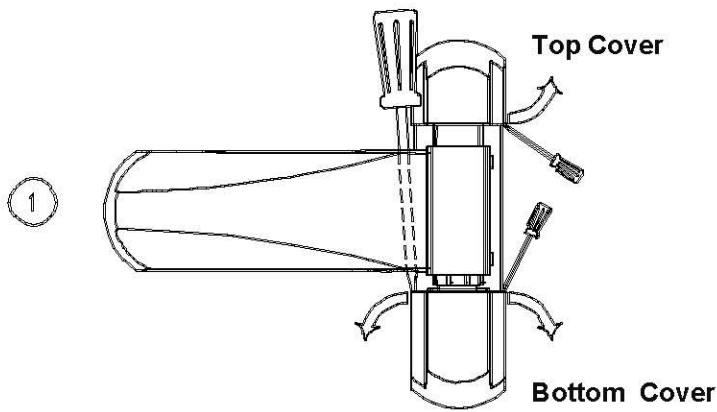


5. Tighten 4 mounting screws on each hinge.

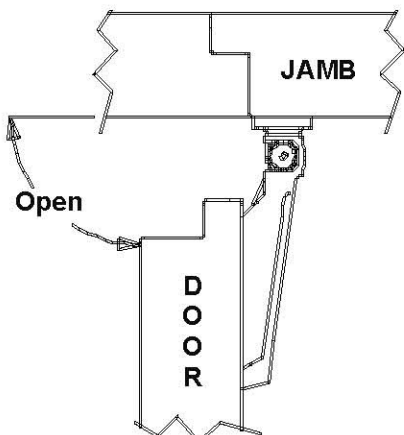
6. Replace cover by reversing steps 2 & 1



Kason 1345 Hinge Door Removal Instructions



1. To remove top cover insert small pocket screwdriver between cover and flange and pry out slightly. Cover can now be slid off as seen in 2 above.
2. To remove bottom cover insert pocket screwdriver into cover as shown in 1 above and exert slight out force. Slide long slender screwdriver under strap and into cover as shown in 1 above and pry outward until cover can be pulled off as shown in 2 above.
3. Using wrench remove nut.
4. Remove center-screw and top by extracting screw from assembly.



5. Open door and lift door clear of hinges.
6. To replace door reverse process. Screwdrivers are not used to replace flange covers. Covers will snap in place.

