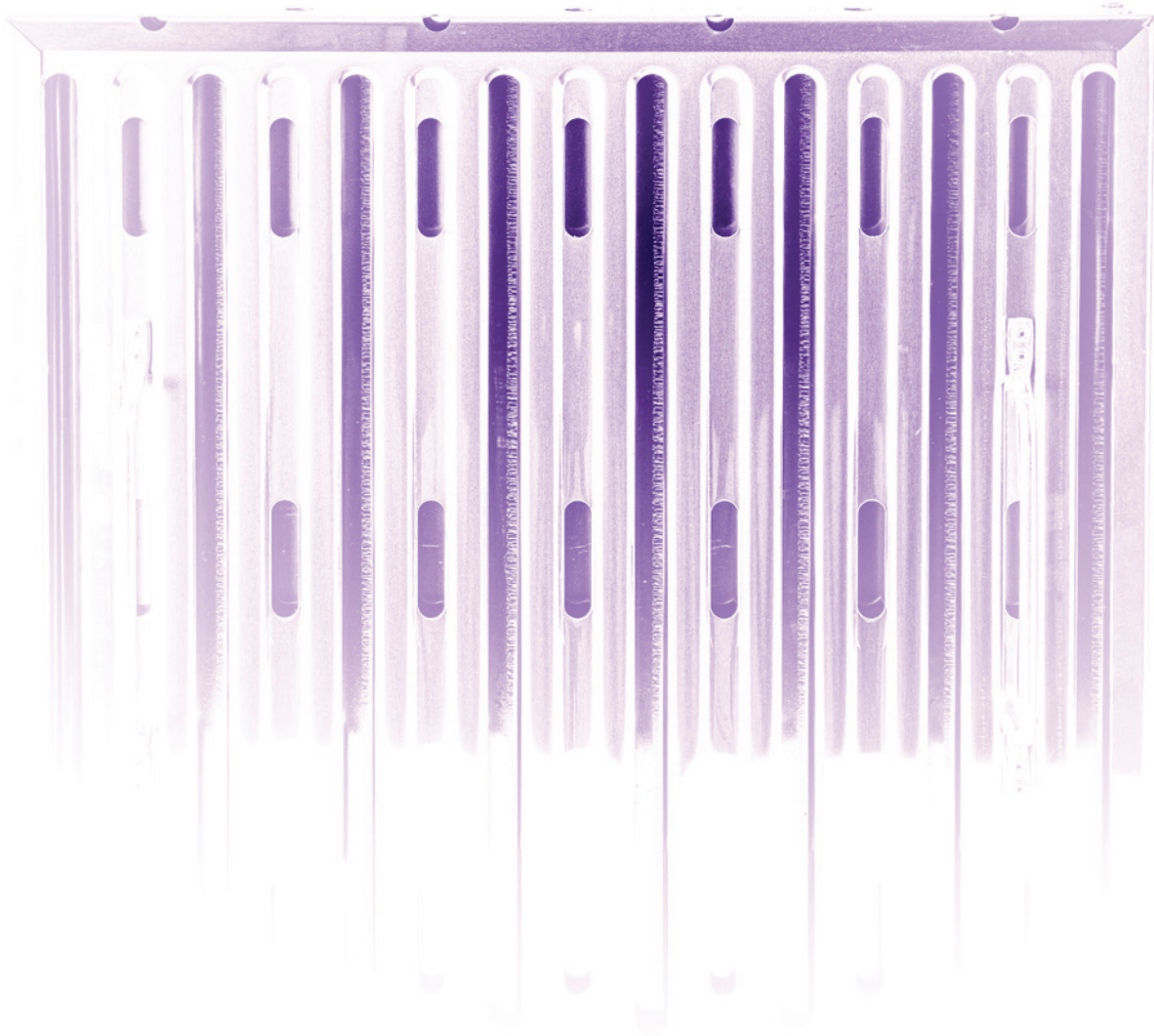




It's Better with Kason.

Canopy Hood

1.800.935.2766 | kasonind.com



The Kason Mission

To Protect your Product Integrity

Our customers go to great lengths to build top-of-the-line coolers, freezers, foodservice equipment, industrial enclosures and delivery vans. Our goal is to preserve your product integrity by providing the highest quality door hardware and accessories for both original equipment and replacement applications.

End users need to protect products and processes, and lower operating costs. Their first line of defense is stable, airtight enclosures with doors that open with ease and close securely.

Since 1926, Kason has promised and delivered just that. Kason's extensive lines of walk-in and reach-in door hardware satisfy the most demanding requirements. Demonstrate the value of your products with the most innovative, dependable and longlasting hardware in the business.

Research and Testing

Every Kason product must fulfill our customers' requirements. Before we develop a new product, we research the needs of both our industry and end users. We are never satisfied with the status quo. Our dedicated research and development staff continually search for pioneering design concepts. They insist on engineering integrity, extensive product testing and precise, in-line quality control. That is how we have developed such successful and trustworthy products as SafeGuard® inside releasing safety latches, Pacesetter handles and hinges, stainless steel hinges and latches and truck door handles with removable cylinder locks.

Creative Concepts

Leading equipment manufacturers turn to Kason when they want a unique look of their own. We will adapt a stock product, design custom hardware or partner with your design engineers to develop a signature appearance just for your products. Building special and customized hardware is routine at Kason.

Quality

Kason production facilities boast state-of-the-art installations, featuring fully automated die-casting, polishing and electroplating, as well as a full range of electronically controlled and robotic machinery. We require the finest raw materials, accurate machine tolerances and the highest level of Finishing. Skilled, experienced people maintain the Kason tradition of production excellence. Our unremitting commitment to superior manufacturing assures you consistently high quality products at the lowest possible cost. Quality assurance is integrated into every step of Kason operations to from engineering research and development through packaging and shipping.

Service

The lifeline to all your foodservice needs is our efficient and friendly Customer Service Department. A representative can quickly track product availability or the status of your order with our computerized inventory and order control system. Count on dependable global delivery as we serve you from Kason distribution centers in the continental United States and Canada as well as through authorized distributors throughout the world.

Our Promise

Satisfying your needs is our top priority. That is why Kason supplies you with hardware and accessories that reflect the same quality you demand in your own products. We strive to demonstrate an attitude that makes you want to do business with us. At Kason we offer a tradition of excellence, a philosophy of innovation and the most trusted name in specialty commercial hardware.

Contacts

USA Sales & Distribution Centers

1.800.93KASON (800.935.2766)

Kason Industries, Inc.

Global Headquarters

57 Amlajack Boulevard | Newnan, GA 30265-1015, USA
800.935.3550 | FAX: 770.251.4854
Info@kasonind.com

Kason Foodservice Division

31 Amlajack Boulevard | Newnan, GA 30265-1015, USA
866.231.2157 | FAX: 770.252.8397
FoodService@kasonind.com

Kason International Division

57 Amlajack Boulevard | Newnan, GA 30265-1015, USA
770.304.3000 | FAX: 770.251.4854
International@kasonind.com

Kason Vinyl Division

31 Amlajack Boulevard | Newnan, GA 30265-1015, USA
800.472.7450 | FAX: 770.252.8397
Vinyl@kasonind.com

Kason Canada Branch

226 Industrial Pkwy North, Unit 2 | Aurora, Ontario, L4G 4C3, Canada
905.713.6515 | FAX: 905.713.6518
Canada@kasonind.com

Kason Central Branch

8889 Whitney Drive | Lewis Center, OH 43035-7106, USA
740.549.2100 | FAX: 740.549.0701
Central@kasonind.com

Kason Mid-America Branch

1239 Atlantic Avenue | Kansas City, MO 64116-4141, USA
816.472.7450 | FAX: 816.472.8580
MidAmerica@kasonind.com

Kason Western Branch

1500 East Wooley Road, Suite E
Oxnard, CA 93030-7385, USA
805.247.1088 | FAX: 805.247.1164
Western@kasonind.com

Catalog Icons



Walk-In



Casters & Caster Legs



Vinyl



Plumbing



Sliding Doors



Cabinet & Cafeteria



Lighting & Electrical



Canopy Hood



Reach-In



Fabrication Supplies



Equipment Legs



Truck Body

7000 Filter Bracket Kit..... 378
7001 Series Trapper® Grease Filters..... 376
7004 High-Efficiency Filters..... 378
7100 Stainless Steel Grease Cups..... 379

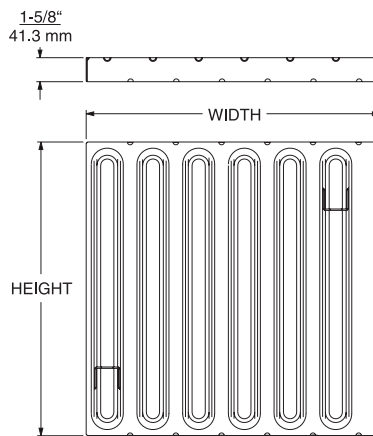


©2024 Kason Industries, Inc.
0623 LIT 001

7001 Series Trapper® Grease Filters



© U.S. Trademarks 4,069,446;
4,069,447 & 4,069,448



- Smooth, aerodynamic baffles pick up more airborne grease and promote better grease drain-off
- Strong, two-piece construction ensures a dependable flame barrier and efficient grease removal
- Easy installation and fast-clean up reduce your maintenance costs
- Durable baffle plates are secured to frame and will not rattle or disconnect
- Available in stainless steel (NSF), aluminum (NSF), and galvanized steel
- Includes two stainless steel snap-in drop handles
- NSF International
- Underwriters Laboratories (file #R13192)
- Underwriters Laboratories of Canada (file #CR2353)
- NFPA Code #96, City of New York, Dept. of Buildings (MEA 133-91-M)
- City of Los Angeles
- State of Michigan
- State of Maryland

Stock Sizes and Areas

Nominal H x W Inches (cm)	Effective Area SQ. Feet (SQ. Meters)
10 x 16 (25 x 41)	0.78 (0.072)
10 x 20 (25 x 50)	1.00 (0.093)
12 x 16 (30 x 41)	0.97 (0.09)
12 x 20 (30 x 50)	1.25 (0.116)
16 x 16 (41 x 41)	1.36 (0.126)
16 x 20 (41 x 50)	1.75 (0.163)
16 x 25 (41 x 64)	2.24 (0.208)
20 x 20 (50 x 50)	2.25 (0.209)
20 x 25 (50 x 64)	2.88 (0.268)

7000LOCKHL Locking handles, set of two,
for all Trapper® models

Size: H x W Inches (cm)	Part No.
10 x 16 (25 x 41)	6700*001016
10 x 20 (25 x 50)	6700*001020
12 x 16 (30 x 41)	6700*001216
12 x 20 (30 x 50)	6700*001220
16 x 16 (41 x 41)	6700*001616
16 x 20 (41 x 50)	6700*001620
16 x 25 (41 x 64)	6700*001625
20 x 16 (50 x 41)	6700*002016
20 x 20 (50 x 50)	6700*002020
20 x 25 (50 x 64)	6700*002025
25 x 16 (64 x 41)	6700*002516
25 x 20 (64 x 50)	6700*002520

***(1) Stainless Steel, (2) Aluminum, (3) Galvanized Steel**

Note: First number indicates vertical height; second number indicates width. Both are commercial nominal dimensions. Actual sizes are 1/2" (13 mm) less than nominal.

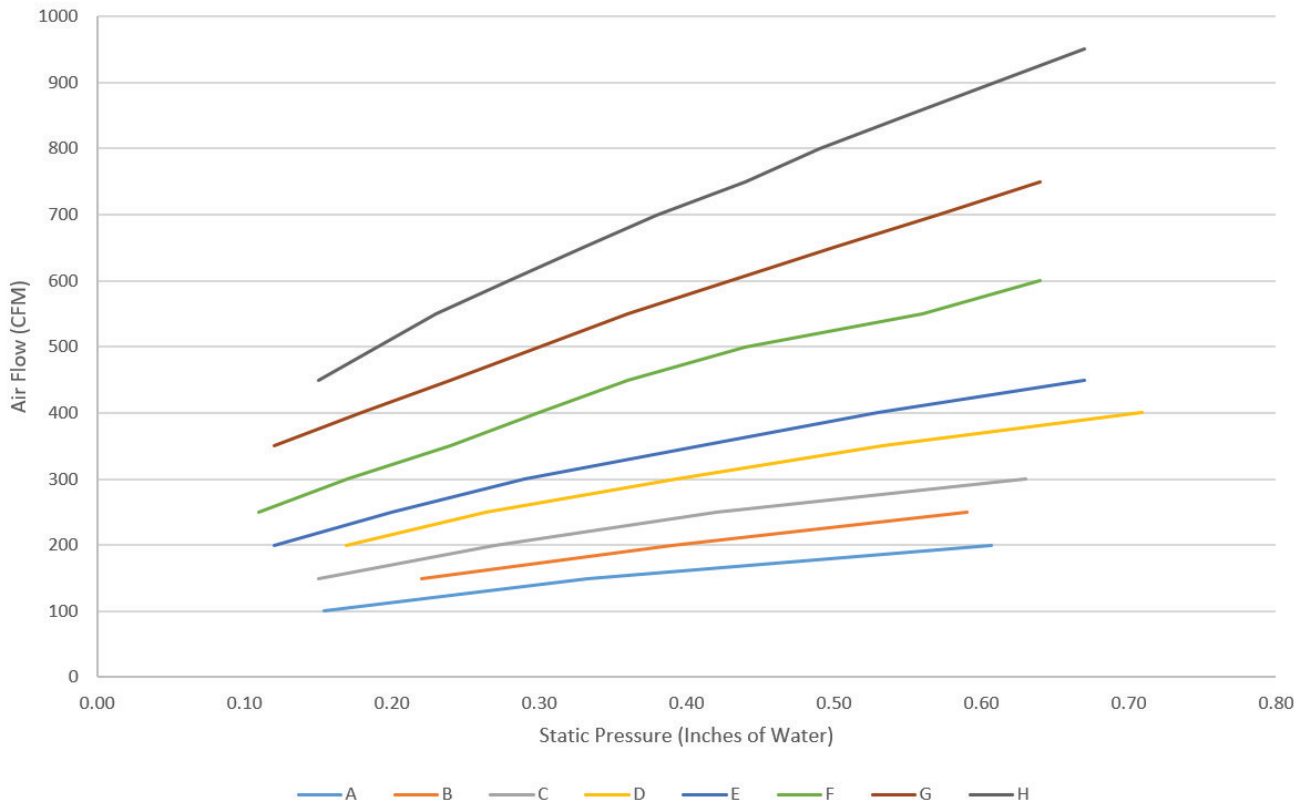
Optional Locking Handle



Locking handles available where required.



Static Pressure vs Air Flow

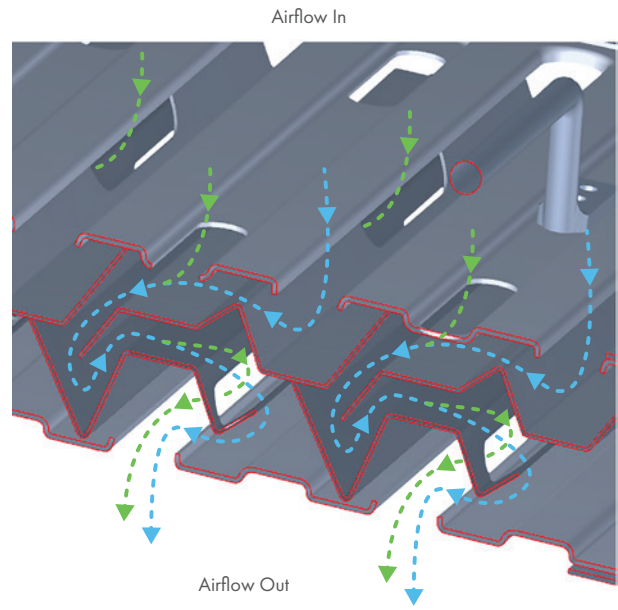
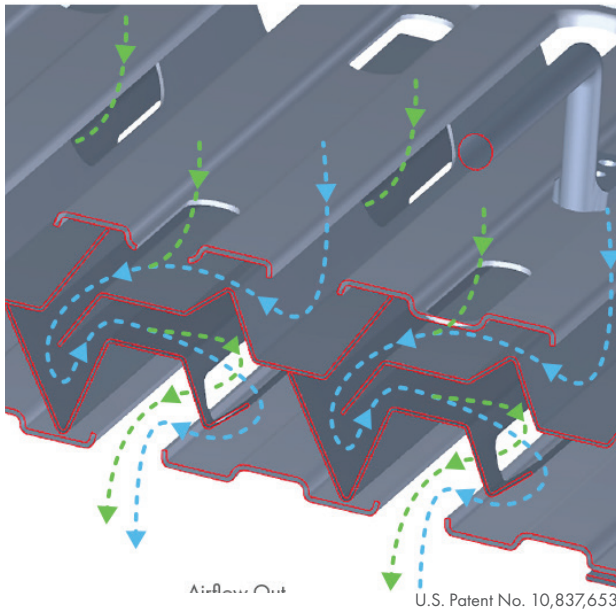


- A** - 10" x 16"
- B** - 12" x 16"
- C** - 10" x 20"
- D** - 12" x 20"
- E** - 16" x 16"
- F** - 16" x 20", 20" x 16"
- G** - 20" x 20", 16" x 25", 25" x 16"
- H** - 20" x 25", 25" x 20"

Effective Range Limits Static Pressure Chart

CFM Per Filter	10x16	12x16	10x20	12x20	16x16	16x20 20x16	20x20 16x25 25x16	20x25 25x20
100	0.15							
150	0.33	0.22	0.15					
200	0.61	0.39	0.27	0.17	0.12			
250		0.59	0.42	0.26	0.20	0.11		
300			0.63	0.39	0.29	0.17		
350				0.53	0.41	0.24	0.12	
400				0.71	0.53	0.30	0.18	
450					0.67	0.36	0.24	0.15
500						0.44	0.30	0.19
550						0.56	0.36	0.23
600						0.64	0.43	0.28
650							0.50	0.33
700							0.57	0.38
750							0.64	0.44
800								0.49
850								0.55
900								0.61
950								0.67

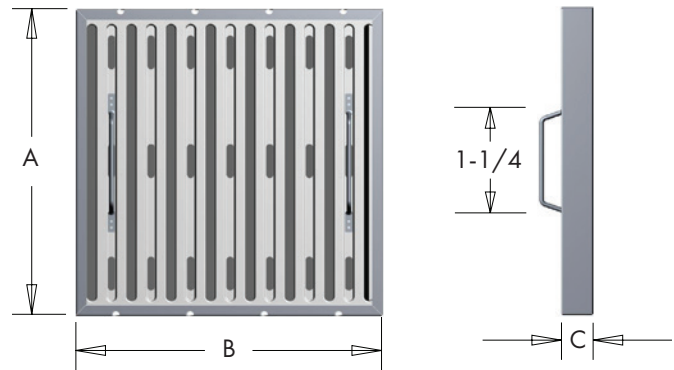
7004 High-Efficiency Filters



- Highest efficiency filters in class (+80%)
- Heavy-duty welded and riveted stainless steel construction
- Reliable flame barrier protection
- Sturdy handles for easy install/removal
- Easy-to-clean and dishwasher safe
- Patented airflow channels create shear, cross flow and turbulence to optimize grease separation
- Small air intake slots increase airflow and lowers the exhaust flow's static pressure
- Lower static pressure reduces blower strain and noise
- 16 x 16, 16 x 20, 20 x 20, 20 x 25

Part No.	A	B	C	Flow Rate (cfm)	Efficiency
67004001616	16"	16"	2"	444	86.2%
67004001620	16"	20"	2"	556	89.9%
67004002020	20"	20"	2"	660	80.6%
67004002025	20"	25"	2"	813	82.0%

Note: Dimensions are nominal, actual is undersized approximately 1/2" to fit industry standard hood specifications.



7000 Filter Bracket Kit



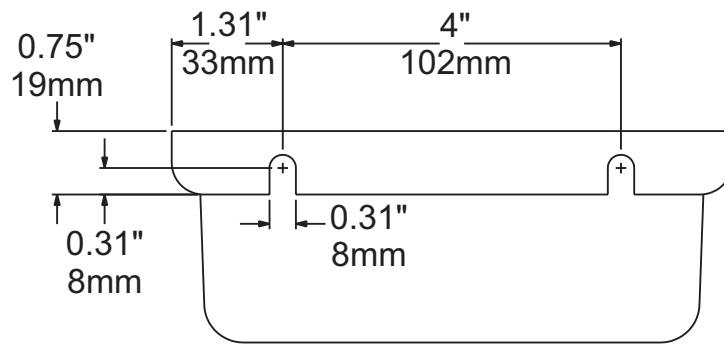
Kit for adding a bracket to a filter. When needed, brackets can be attached to filters to prevent them from being sucked into vent systems by the system fans.

Filter Bracket Kit

Part No.	Description	Qty./Carton
67000000100	Grease Filter Bracket Kit	50

Only for use with Trapper Filters.





Keyhole Grease Cup (C)

Sanitary stainless steel cups catch grill-top grease.

Ref.	Part No.	Description	Depth	Width	Length
A	67100004194*	Standard	4" (102 mm)	4-1/4" (108 mm)	6-3/4" (172 mm)
B	67100004192*	Standard	2-1/2" (64 mm)	4-1/4" (108 mm)	6-3/4" (172 mm)
C	67100004193	Keyhole	2-1/2" (64 mm)	4" (102 mm)	6-3/4" (172 mm)

* 1/9 pan equivalent

©2024 Kason Industries, Inc.

0623 LIT 001



