



It's Better with Kason.

Lighting & Electrical

1.800.935.2766 | kasonind.com



The Kason Mission

To Protect your Product Integrity

Our customers go to great lengths to build top-of-the-line coolers, freezers, foodservice equipment, industrial enclosures and delivery vans. Our goal is to preserve your product integrity by providing the highest quality door hardware and accessories for both original equipment and replacement applications.

End users need to protect products and processes, and lower operating costs. Their first line of defense is stable, airtight enclosures with doors that open with ease and close securely.

Since 1926, Kason has promised and delivered just that. Kason's extensive lines of walk-in and reach-in door hardware satisfy the most demanding requirements. Demonstrate the value of your products with the most innovative, dependable and longlasting hardware in the business.

Research and Testing

Every Kason product must fulfill our customers' requirements. Before we develop a new product, we research the needs of both our industry and end users. We are never satisfied with the status quo. Our dedicated research and development staff continually search for pioneering design concepts. They insist on engineering integrity, extensive product testing and precise, in-line quality control. That is how we have developed such successful and trustworthy products as SafeGuard® inside releasing safety latches, Pacesetter handles and hinges, stainless steel hinges and latches and truck door handles with removable cylinder locks.

Creative Concepts

Leading equipment manufacturers turn to Kason when they want a unique look of their own. We will adapt a stock product, design custom hardware or partner with your design engineers to develop a signature appearance just for your products. Building special and customized hardware is routine at Kason.

Quality

Kason production facilities boast state-of-the-art installations, featuring fully automated die-casting, polishing and electroplating, as well as a full range of electronically controlled and robotic machinery. We require the finest raw materials, accurate machine tolerances and the highest level of Finishing. Skilled, experienced people maintain the Kason tradition of production excellence. Our unremitting commitment to superior manufacturing assures you consistently high quality products at the lowest possible cost. Quality assurance is integrated into every step of Kason operations to from engineering research and development through packaging and shipping.

Service

The lifeline to all your foodservice needs is our efficient and friendly Customer Service Department. A representative can quickly track product availability or the status of your order with our computerized inventory and order control system. Count on dependable global delivery as we serve you from Kason distribution centers in the continental United States and Canada as well as through authorized distributors throughout the world.

Our Promise

Satisfying your needs is our top priority. That is why Kason supplies you with hardware and accessories that reflect the same quality you demand in your own products. We strive to demonstrate an attitude that makes you want to do business with us. At Kason we offer a tradition of excellence, a philosophy of innovation and the most trusted name in specialty commercial hardware.

Contacts

USA Sales & Distribution Centers

1.800.93KASON (800.935.2766)

Kason Industries, Inc.

Global Headquarters

57 Amlajack Boulevard | Newnan, GA 30265-1015, USA
800.935.3550 | FAX: 770.251.4854
Info@kasonind.com

Kason Foodservice Division

31 Amlajack Boulevard | Newnan, GA 30265-1015, USA
866.231.2157 | FAX: 770.252.8397
FoodService@kasonind.com

Kason International Division

57 Amlajack Boulevard | Newnan, GA 30265-1015, USA
770.304.3000 | FAX: 770.251.4854
International@kasonind.com

Kason Vinyl Division

31 Amlajack Boulevard | Newnan, GA 30265-1015, USA
800.472.7450 | FAX: 770.252.8397
Vinyl@kasonind.com

Kason Canada Branch

226 Industrial Pkwy North, Unit 2 | Aurora, Ontario, L4G 4C3, Canada
905.713.6515 | FAX: 905.713.6518
Canada@kasonind.com

Kason Central Branch

8889 Whitney Drive | Lewis Center, OH 43035-7106, USA
740.549.2100 | FAX: 740.549.0701
Central@kasonind.com

Kason Mid-America Branch

1239 Atlantic Avenue | Kansas City, MO 64116-4141, USA
816.472.7450 | FAX: 816.472.8580
MidAmerica@kasonind.com

Kason Western Branch

1500 East Wooley Road, Suite E | Oxnard, CA 93030-7385, USA
805.247.1088 | FAX: 805.247.1164
Western@kasonind.com

Catalog Icons



Walk-In



Casters & Caster Legs



Vinyl



Plumbing



Sliding Doors



Cabinet & Cafeteria



Lighting & Electrical



Canopy Hood



Reach-In



Fabrication Supplies

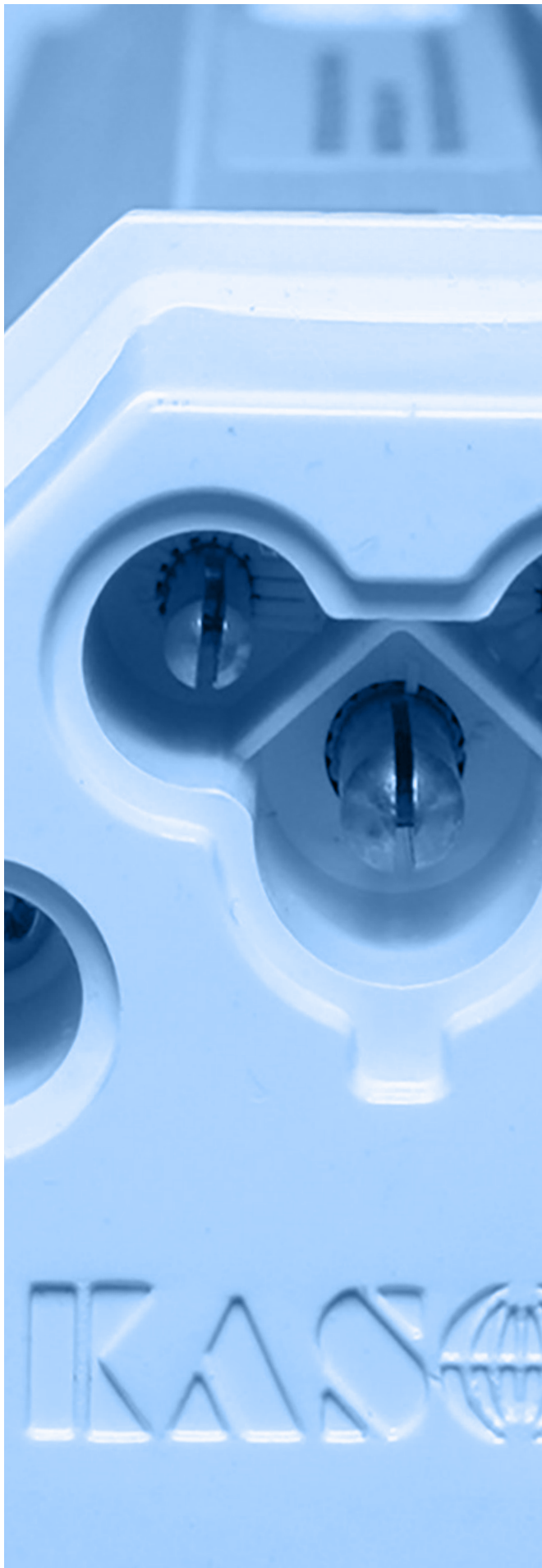


Equipment Legs

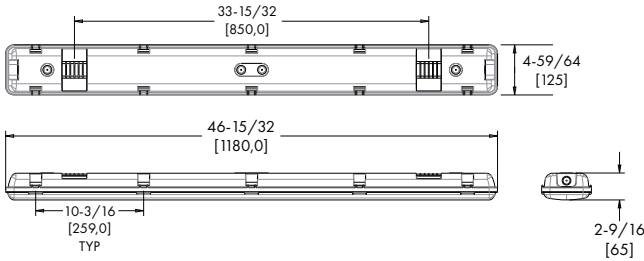


Truck Body

0050 Utility Box	176
0660 Series Energy Saving Condensation Evaporators.....	174
1801 Quick-Mount Hood Fixture.....	168
1801 Wire Guard.....	169
1802LG with 1802-2 Wire Guard/1803LG/1804LG.....	172
1802NL LED Safety Night Light	157
1803/1806 Series LED Walk-In Cooler/Freezer Fixtures	164
1805-1 Lexan Cover.....	167
1805 Series Light Fixture.....	167
1806 Series Vaporproof Compact Fluorescent Light Fixture.....	170
1807L Series Walk-In Cooler/Freezer LED Fixtures.....	154
1808 LED Fixture.....	156
1808NMA/1808FMA LED Fixtures.....	158
1809DC Surface Mount PoE LED Fixture (Power Over Ethernet).....	161
1809 LED Fixture.....	160
1810LC4000-B LED Fixture with Battery Backup.....	153
1810LCT400 LED Fixture Light.....	152
1815 Hood Lamp	162
1820U/UB LED High Bay Fixture	163
1901A Motion Sensor.....	166
1908 Weatherproof Rocker Switch and Cover Plate.....	176
1967-38 Door Sensors	179
1967-A2 Temperature Display.....	179
1967-A3 Temperature Display & Switch	180
1967-A4 Temperature Display & Alarm.....	179
1967-A57 Entrapment/Panic Alarm	180
7109 Pedestal Boxes.....	176
7110 Recessed Housings.....	176
ELE-500 BWF Single Gang Box	176
ELE-1000 BWF Cover Plate	176
Heater Cable Thermometers	178
Heater Cable Thermostat	178
Panel Mounting Refrigeration Thermometers.....	177
Round Splice Box.....	176
Solar Digital Thermometers	178
Switches, Receptacles, and Cover Plate	175



1810LCT400 LED Fixture Light



- Dimmable energy-efficient lighting
- Surface mounting brackets
- Extremely durable polycarbonate housing and lens
- Designed for walk-in coolers and/or freezers
- Operating temp -40°F to 104°F (-40°C to 40°C)
- Rated 50,000+ hours of life

Part No.	Description	Wgt./ Carton
11810LCT400	LED Fixture	5.46 lb (2.48 kg)
11810LCT400MX	Luminaria 4-pies LED	5.46 lb (2.48 kg)
91810LCT357	Tamper-Resistant Screw Kit (Qty. 10)	

Specifications

Material

Diffuser: Frosted UL approved UL94-HB rated, PC
 Housing: Gray UL approved UL94-5VA rated, PC
 LED tray: White painted steel

Size

Nominal Overall Dimensions:
 46-15/32" L x 4-59/64" W x 2-9/16" H (1180 x 125 x 65 mm)

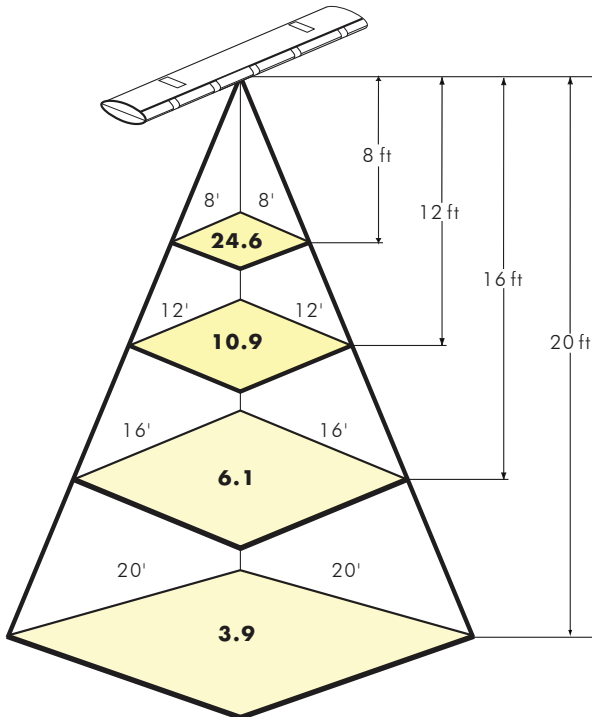
Electrical

Volts: 120-277 V
 Frequency: 50/60 Hz
 Watts: 40 W
 Amps: 0.35 A @120 V
 Power Factor: > 0.9
 CRI: 85
 Output: 4990 Lumens
 120 Lumens/Watt
 Dimming: 0-10 V
 Color Temperature: 4000K

Certifications

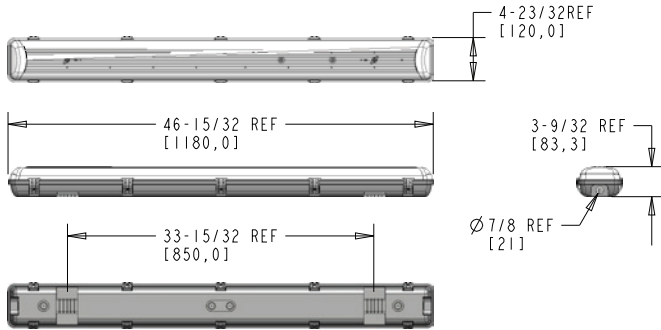
UL approved for wet location
 NSF listed component
 IP-65

1810LCT400 LED Fixture Light Distribution



Height (in feet)	Average FC for Single Fixture Over Indicated Area			
	8' x 8'	12' x 12'	16' x 16'	20' x 20'
5	33.7	18.6	11.8	8.2
8	24.6	14.4	9.6	6.8
9	-	13.4	9.0	6.5
12	-	10.9	7.5	5.5
13	-	-	7.1	5.3
16	-	-	6.1	4.6
17	-	-	-	4.4
20	-	-	-	3.9

GreenGuard®



- 90-minute battery backup for walk-ins down to 32°F (0°C)
- 4650 lumens enables less fixtures to achieve desired light level
- No ultraviolet emission, does not attract insects
- Mercury free, LM-79 tested
- High-impact resistant polycarbonate enclosure
- Pre-installed Surface Mount LED Strips
- Easy retrofit for old lighting
- Rated 50,000 hour life
- 1-year limited warranty

Specifications

Material

Housing: High-impact polycarbonate
Latches: Plastic/Polycarbonate

Size

Nominal Overall Dimensions:
46-15/32" L x 4-23/32" W x 3-9/32" H (1180 x 120 x 83.3 mm)

Electrical

Watts: 40 W
Volts: 120-277 V
Amps: 0.4 A @120 V
Power Factor: > 0.9
CRI: 84
Output: 4650 Lumens
116 Lumens/Watt
Color Temperature: 4000K

Certifications

UL approved for wet location
NSF listed component
IP-65

1810LC4000-B LED Fixture Light Distribution

Height (in feet)	Average FC for Single Fixture Over Indicated Area			
	8' x 8'	12' x 12'	16' x 16'	20' x 20'
5	38	20.9	13.2	9.1
8	27.7	16.2	10.7	7.6
9	-	15.1	10.1	7.2
12	-	12.3	8.5	6.2
13	-	-	8.0	5.9
16	-	-	6.9	5.2
17	-	-	-	5.0
20	-	-	-	4.4

© 2025 Kason Industries, Inc.
0125 LIT 001



1807L Series Walk-In Cooler/Freezer LED Fixtures

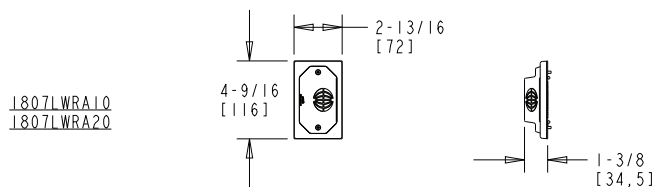
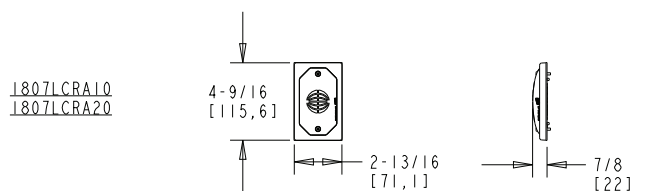
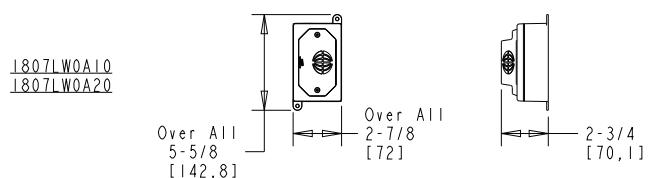
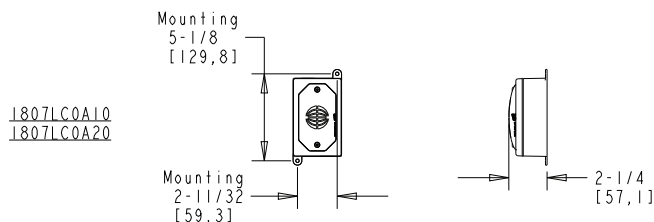
1807LW*



1807LC*



Patent No.:
 US: D-748,841; D-748,317; D-728,151
 CA: 162,218; 162,219
 MX: 47,387; 47,388
 EM: 00143419-0002; 001434419-0001



- Low profile high impact lens with anti-glare technology
- Wall mount design directs light into aisle for better visibility for product on shelves
- Junction box with 12 cubic inches of wiring volume with ground boss provided
- Exceeds Federal Energy Act requirements
- Rated for 50,000 hours of life
- Designed for wet location cooler/freezer environments
- Quick disconnect provided for easy replacement, or upgrade at end of life
- Certifications: UL for US and Canada, NSF, RoHS
- 3-year limited warranty on the light engine

Specifications

Material

Housing/Heatsink: Die-cast aluminum

Lens: Polycarbonate

Electrical

120 V @ 50/60 Hz, 12 W, 0.1 A

240 V @ 50/60 Hz, 13.3 W, 0.055 A

+100 Lumens/Watt

Color Temperature: 4000K

Temperature Rating

-20°F to 77°F (-29°C to 25°C)

Mounting

Surface mount

Safety Standards

RoHS

NSF

UL Listed US and Canada, File No. E333932

Prison Package

Tamper-resistant screw kit option available

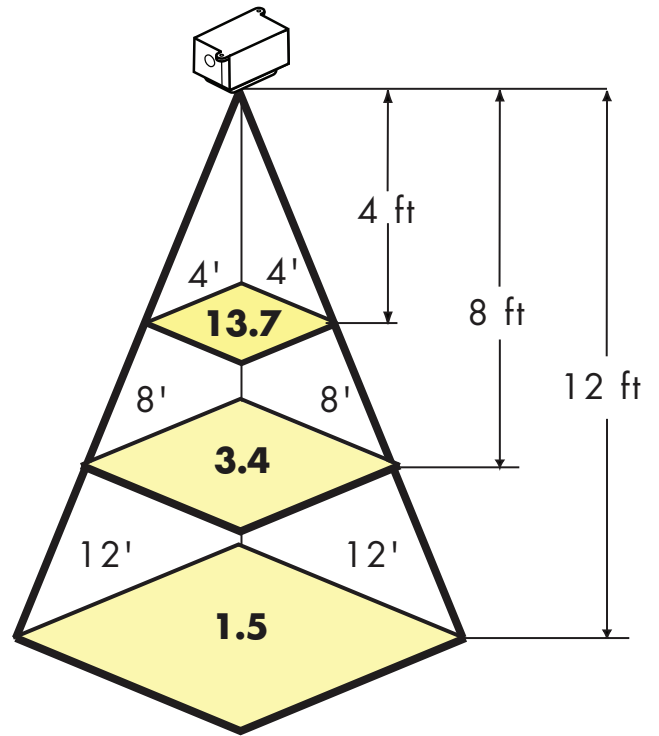
Part No.	Description	Wgt./ Carton
11807LW0A10	LED Fixture, 120 V, 12 W, 4000K, Angled	0.75 lb (0.34 kg)
11807LC0A10	LED Fixture, 120 V, 12 W, 4000K, Domed	0.75 lb (0.34 kg)
11807LW0A20	LED Fixture, 240 V, 13.3 W, 4000K, Angled	0.75 lb (0.34 kg)
11807LC0A20	LED Fixture, 240 V, 13.3 W, 4000K, Domed	0.75 lb (0.34 kg)
11807LWRA10	LED Fixture, 120 V, 12 W, 4000K, Angled Recessed	0.35 lb (0.16 kg)
11807LCRA10	LED Fixture, 120 V, 12 W, 4000K, Domed Recessed	0.35 lb (0.16 kg)
11807LWRA20	LED Fixture, 240 V, 13.3 W, 4000K, Angled Recessed	0.35 lb (0.16 kg)
11807LCRA20	LED Fixture, 240 V, 13.3 W, 4000K, Domed Recessed	0.35 lb (0.16 kg)
91807000357	Tamper Resistant Screw Kit	



GreenGuard®

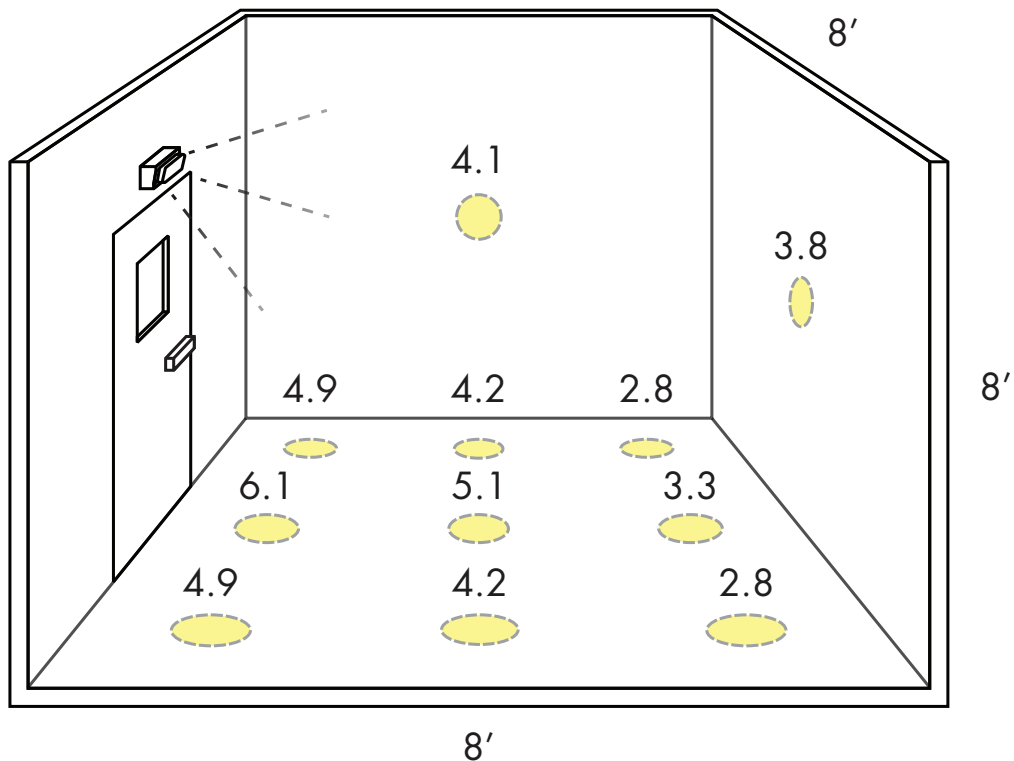
1807LC0A10 & 1807LCRA10 LED Light Distribution

Height (in Feet)	Average FC for Single Fixture Over Indicated Area	
	8' x 8'	12' x 12'
5	4.9	2.8
8	3.4	2.1
9	-	1.9
12	-	1.5



1807LW0A10 & 1807LWRA10 LED Light Distribution

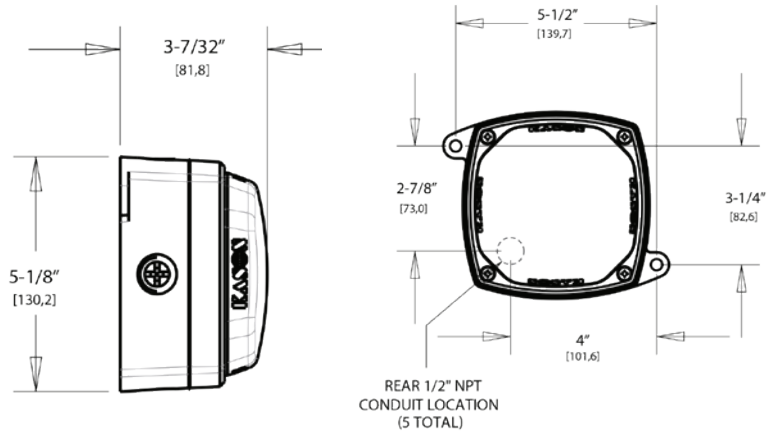
{Average FC}



1808 LED Fixture



U.S. Patent No. 8,950,893;
9,546,782 and D-759,285

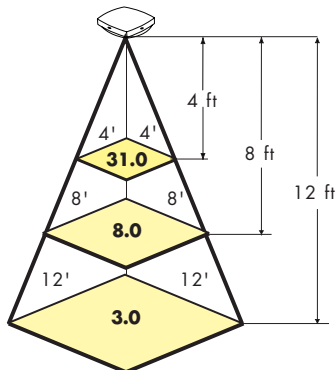


- Low profile high-impact Lexan lens with anti-glare technology
- Preferred fixture for replacing inefficient lighting
- Designed to reduce electrical usage by 85%
- Minimal heat generation will lower utility cost
- Exceed Federal Energy Act requirements
- Rated for 50,000+ hours of life
- 4000K color temperature
- Designed for damp/wet/cooler/freezer environments
- 5-year limited warranty on the light engine
- LM-79 tested

Part No.	Description	Qty./Carton	Wgt./Carton
1180800A100	LED Fixture, 12 W, VP, 120 V	12	2.1 lb (0.95 kg)
1180800A200	LED Fixture, 14 W, VP, 240 V	12	2.1 lb (0.95 kg)
91808000357	Tamper-Resistant Screw Kit		
918080A1588	12 W, 120 V, Replacement Module		

1808 LED Light Distribution

Height (in feet)	Average FC for Single Fixture Over Indicated Area	
	8' x 8'	12' x 12'
5	11.0	6.0
8	8.0	5.0
9	-	4.0
12	-	3.0



Specifications

Material

Lexan lens, aluminum housing

Electrical

Input: 120 V
 Frequency: 50/60 Hz
 Watts: 12 W
 92 Lumens/Watt
 Amps: 0.11 Amps @ 120 V
 Power Factor: >0.9,
 CRI: >80
 Output: 1194 Lumens
 92 Lumens/Watt

Temperature Rating

-40°F to 104°F (-40°C to 40°C)

Mounting

Surface mount

Safety Standards

RoHS, UL listed US and Canada, File No. E333932, NSF Listed, IP-65

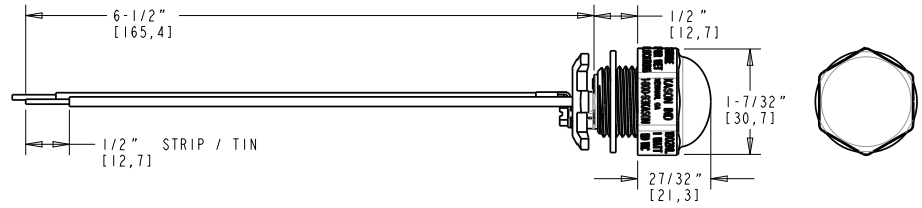
Prison Package

Tamper-resistant fastener kit option available



COMPANY WITH
 QUALITY SYSTEM
 CERTIFIED BY DNV
 = ISO 9001 =





- Always illuminated safety light
- Small, can be mounted anywhere
- Easy to install and for new and retrofit fixtures
- Bright 100 lumen
- Threads into 1/2" NPT conduit or mounts in 7/8" hole
- UL Listed "Lighting Fitting" E485640
- Rated for use Indoor/Outdoor (Wet Location)
- Night light sold separately from light fixtures
- 4000K color temperature
- 2-year warranty

Part No.	Description
11802NL0100	1 Watt LED Night Light

Specifications

Material

Lens: PC (Clear with UVinhibitor)
 Housing: Aluminum
 Gasket: Rubber
 Wire: 6" long

Electrical

Input: 120 V
 Frequency: 60 Hz
 100 Lumens/Watt

Temperature Rating

-40°F to 104°F (-40°C to 40°C)

Safety Standards

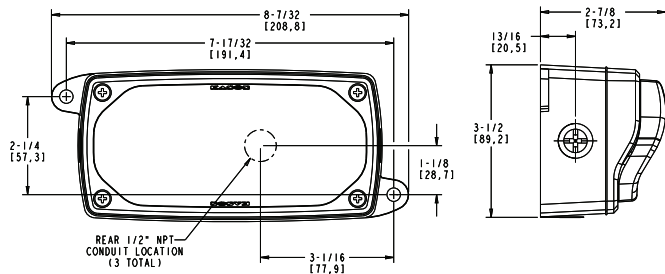
RoHS
 UL Listed US and Canada, File No. E485640

1808NMA/1808FMA LED Fixtures

1808NMA LED Fixtures



US Patent Nos: 9,546,782 & D728,147



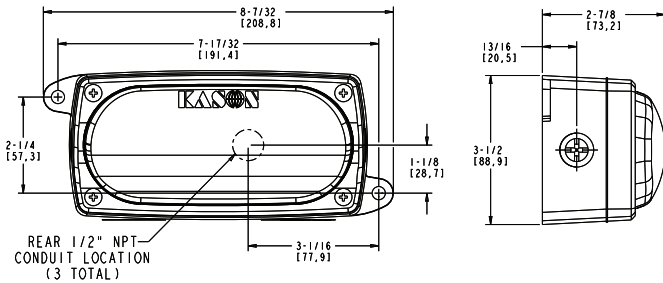
- Low profile high-impact Lexan lens with anti-glare technology
- Wall-mount design directs light into aisle for better visibility of product on shelves
- Preferred fixture for replacing inefficient lighting
- Designed to reduce electrical usage by 85%
- Minimal heat generation will lower utility cost
- Exceeds Federal Energy Act requirements
- Rated for 50,000+ hours of life
- 4000K color temperature
- Designed for damp/wet/cooler/freezer environments
- 5-year limited warranty on the light engine

Part No.	Description	Qty./ Carton	Wgt./ Carton
11808FMA100	LED Fixture, 13 W, 120 V	10	1.5 lb (0.68 kg)
11808FMA200	LED Fixture, 13 W, 240 V	10	1.5 lb (0.68 kg)
11808NMA100	LED Fixture, 13 W, 120 V	10	1.6 lb (0.73 kg)
11808NMA200	LED Fixture, 13 W, 240 V	10	1.6 lb (0.73 kg)
91808NM0357	Tamper-Resistant Screw Kit	50	

1808FMA LED Fixtures



US Patent Nos: 9,546,782 & D728,150



Specifications

Material

Lexan lens, Aluminum Housing

Electrical

Input: 120 or 240 V
 Frequency: 50/60 Hz
 Amps: 110 mA @ 120 V / 56 mA @ 240 V,
 Power Factor: > 0.95
 CRI: 83

Item #1808NMA1:

13 Watts, 1152 Total Lumens, 88 Lumens/Watt

Item #1808FMA1:

13 Watts, 1186 Total Lumens, 91.5 Lumens/Watt

Temperature Rating

-40°F to 77°F (-40°C to 25°C)

Mounting

Surface mount

Safety Standards

RoHS, UL Listed US and Canada, File No. E333932, NSF, IP-65

Prison Package

Tamper-resistant fastener kit option available

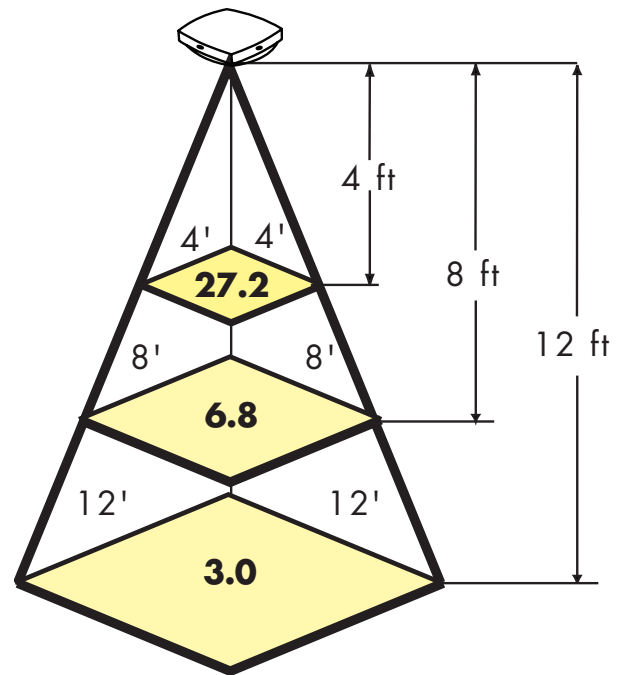


GreenGuard®

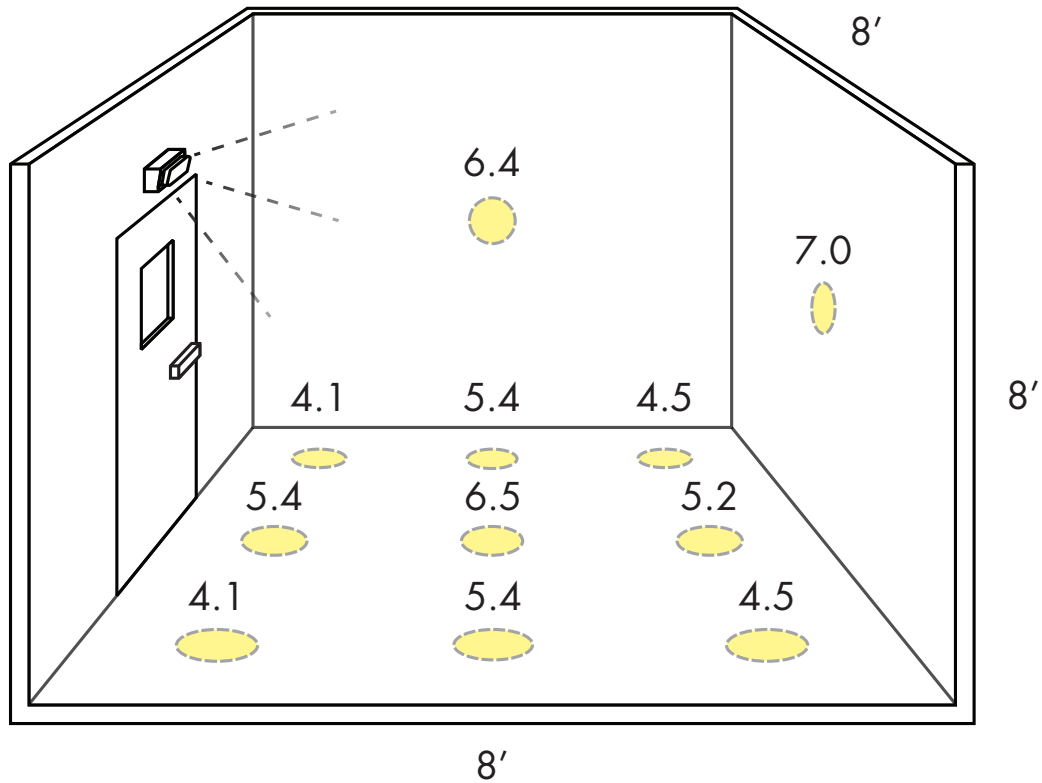


1808FMA1 LED Light Distribution

Height (in feet)	Average FC for Single Fixture Over Indicated Area	
	8' x 8'	12' x 12'
5	9.3	5.1
8	6.8	4.0
9	-	3.7
12	-	3.0



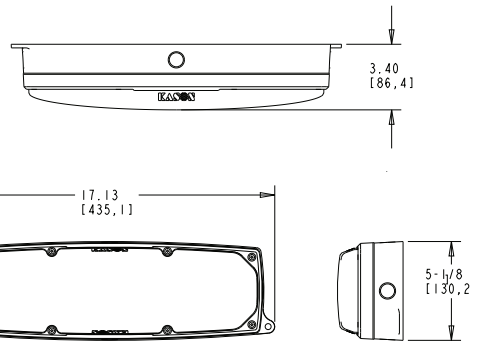
1808NMA1 LED Light Distribution



1809 LED Fixture



U.S. Patent No. D728,149

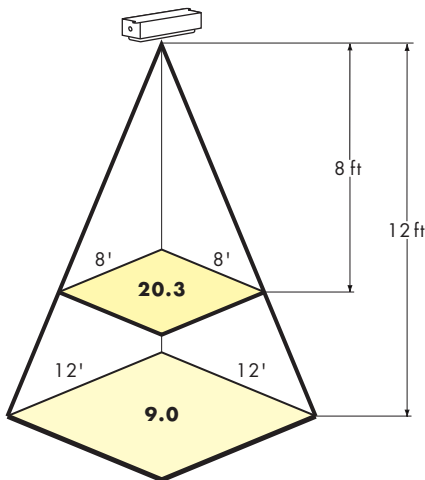


- Designed for damp/wet/cooler/freezer environments
- Compact size with same/similar lumens as 4' fixtures
- Low profile, high-impact Lexan globe with anti-glare technology
- Easy retrofit for inefficient lighting
- Reduced heat generation helps lower utility cost
- Exceeds Federal Energy Act requirements
- Rated for 50,000+ hours
- Color Temperature: 4000 K
- IP65 rated, LM-79 and LM-80 tested
- 5-year limited warranty on light engine

Part No.	Description	Wgt./ Carton
11809000003	29 (nominal) Watt, 120-277 V, LED Fixture, 3826 Lumens	4.1 lb (1.85 kg)
91809000357	Tamper-Resistant Screw Kit	--

1809 LED Light Distribution

Height (in feet)	Average FC for Single Fixture Over Indicated Area		
	8' x 8'	12' x 12'	16' x 16'
5	27.8	15.2	9.6
8	20.3	11.9	7.8
9	-	11	7.4
12	-	9.0	6.2
13	-	-	5.9
16	-	-	5.1



Specifications

Material

Polycarbonate Lens
Aluminum Housing

Size

Nominal Overall Dimensions:
17-1/8" L x 5-1/8" W x 3-3/8" H
(434.975 x 130.175 x 85.725 mm)

Electrical

Input: 120-277 V
Frequency: 50/60 Hz
Watts: 32 W
Amps: 0.3 A @ 120 V
Power Factor: >0.9
CRI: 85
Output: 4233 Lumens
133 Lumens/Watt
Dimming: 0-10 V

Temperature Rating

-40°F to 77°F (-40°C to 25°C)

Mounting

Surface mount

Safety Standards

RoHS
UL Listed US and Canada
File No. E333932
NSF
IP65 Rated

Prison Package

Tamper-resistant fastener kit option available

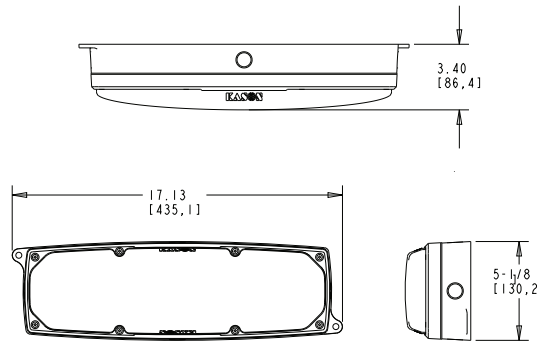


COMPANY WITH
QUALITY SYSTEM
CERTIFIED BY DNV
= ISO 9001 =





U.S. Patent No. 9,546,782; D728,149



- PoE compatibility
- Durable housing designed specifically for walk-in coolers/freezers
- Low profile high-impact lens with anti-glare technology
- Compact size with similar lumens as 4' fixtures
- Reduced heat generation helps lower utility costs
- 50,000+ hours of life
- 5-year limited warranty

Specifications

Material
 Polycarbonate Lens
 Aluminum Housing

Size
 Nominal Overall Dimensions:
 17-1/8" L x 5-1/8" W x 3-3/8" H
 (434.975 x 130.175 x 85.725 mm)

Electrical
 Watts: 28 W
 CRI: 83.2
 Output: 3826 Lumens
 136 Lumens/Watt

Temperature Rating
 -40°F to 77°F (-40°C to 25°C)

Mounting
 Surface mount

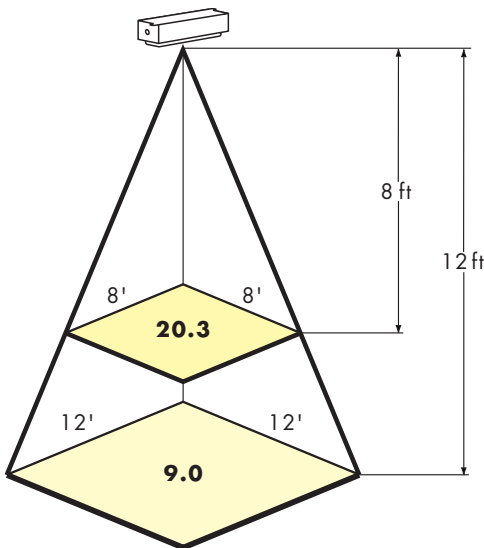
Safety Standards
 RoHS
 UL Listed US and Canada
 File No. E333932
 NSF
 IP65 Rated

Prison Package
 Tamper-resistant fastener kit option available

Part No.	Description	Wgt./ Carton
11809DC7728	LED Fixture for PoE, DC only	4.1 lb (1.85 kg)

1809 LED Light Distribution

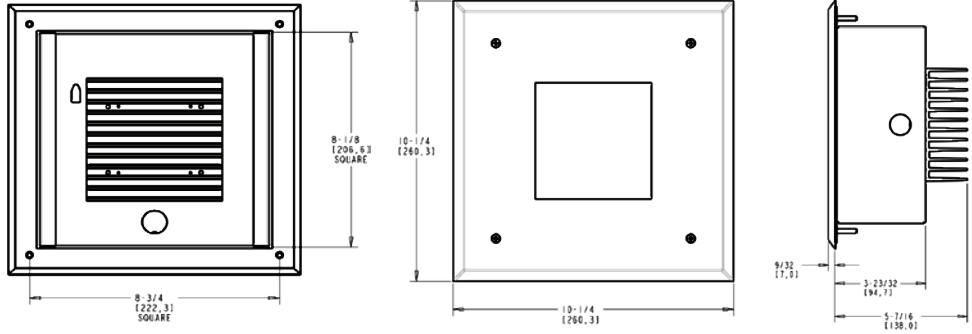
Height (in feet)	Average FC for Single Fixture Over Indicated Area		
	8' x 8'	12' x 12'	16' x 16'
5	27.8	15.2	9.6
8	20.3	11.9	7.8
9	-	11	7.4
12	-	9.0	6.2
13	-	-	5.9
16	-	-	5.1



© 2025 Kason Industries, Inc.
 0125 LIT 001



1815 Hood Lamp



U.S. Patent No. 9,441,810

- Designed for cooking surfaces and hoods
- 1150 total lumens
- 54 lumens/watt- exceeds Federal Energy Act requirement
- Meets all requirements of NFPA 96 and NEC 410
- 80% of all available light projected onto work surfaces
- Warm 3000K color temperature, perfect for food applications
- Integral heat sink to eliminate internal heat
- 50,000 hour rating
- No ultraviolet emission: Does not attract insects
- 5-year limited warranty on fixture

Specifications

Material

Housing: Painted galvanized steel
 Lens: Stainless steel with tempered glass

Electrical

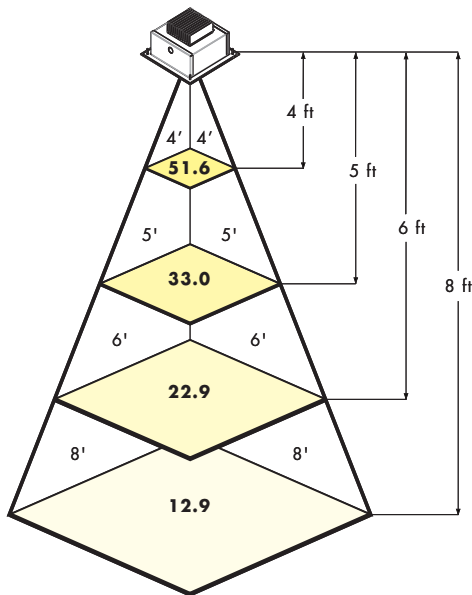
Input: 10-277 V
 Frequency: 50/60 Hz (line voltage)
 Watts: 22 W
 Amps: 0.5 Amps @ 120 V

Temperature Rating

Listed for up to 167°F (75°C) operation

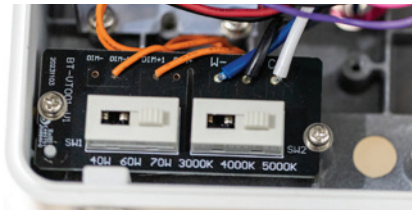
Part No.	Description	Qty./Carton	Wgt./Carton
11815000010	LED Hood Light Fixture	1	9.8 lb (4.5 kg)

1815 LED Light Distribution



Average lumen output does not include ambient lighting.
 Lumen output measures in Fc (Lm).





- Battery back-up model 1820UB
- Adjustable LED wattage/lumen output (max 10,000 lumen) (left)
- Adjustable LED temperature color (left)
- Hinged 2-part junction box with quick clip lever closures
- Junction box can be mounted via direct to wall /conduit/hook
- Built-in pressure vent to prevent moisture from collecting in the fixture
- Dimmable
- 5-year limited warranty

Part No.	Description	Wgt./Carton
11820U00004	LED Fixture, 80-277 V, 3000-5000K	6.5 lb (2.9 kg)
11820UB0004	LED Fixture with Battery Backup, 80-277 V, 3000-5000K	6.5 lb (2.9 kg)

Specifications (1820U)

Materials

Light weight, durable aluminum cast body, white powder coating
High impact poly-carbonate lens

Electrical

Input: 80-277 V
Frequency: 50/60 Hz

Selectable Wattage/Lumen Output

40 Watts/5900 Lumens
60 Watts/9300 Lumens
70 Watts/10,600 Lumens

Selectable Light Color Temperature

Warm Light: 3000K
Natural Light: 4000K
Cool Light: 5000K

Temperature Rating

-40°F to 122°F (-40°C to 50°C)

Specifications (1820UB)

Materials

Light weight, durable aluminum cast body, white powder coating
High impact poly-carbonate lens

Electrical

Input: 80-277 V
Frequency: 50/60 Hz

Selectable Wattage/Lumen Output

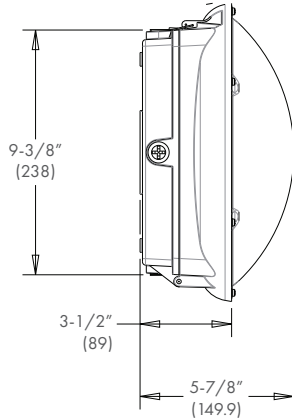
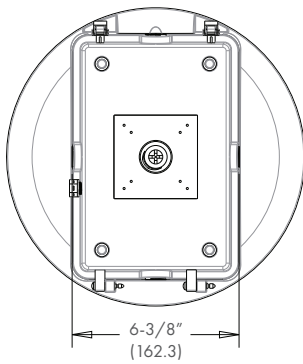
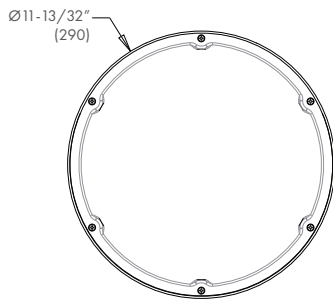
21 Watts/3150 Lumens
30 Watts/4500 Lumens
40 Watts/6000 Lumens

Selectable Light Color Temperature

Warm Light: 3000K
Natural Light: 4000K
Cool Light: 5000K

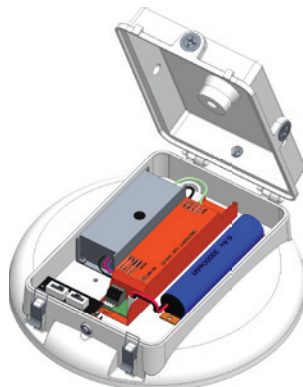
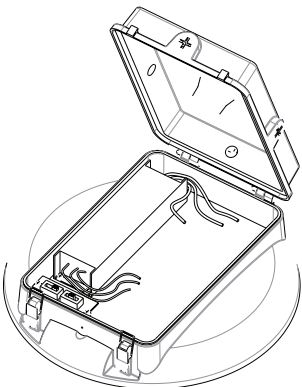
Temperature Rating

-40°F to 122°F (-40°C to 50°C)



1820U

1820UB



© 2025 Kason Industries, Inc.

0125 LIT 001



1803/1806 Series LED Walk-In Cooler/Freezer Fixtures

1803 Series LED Walk-In Cooler/Freezer Fixtures



1802CA0E26



1803LEDA26KT



1803LEDA26



- For use in walk-in coolers and freezers
- Preferred lamp for replacing inefficient incandescents and CFL
- Designed to reduce electrical usage by 85%
- LM79 test results for fixture:
 - 1000 lumens
 - 91 lumens/watt
- Edison Base Socket or GU24 Socket
- 4000K color temperature
- Rated 25,000+ hour life
- Bulb weight: 0.18 lb
- 3-year limited warranty

Specifications

Material

High impact Lexan globe with anti-glare technology

Electrical

Frequency: 50/60 Hz

Watts: 11 W

Amps: 130 mA @ 120 V

CRI: 85

Temperature Rating

-20°F to 90°F (-4°C to 32°C)

1806 Series LED Walk-In Cooler/Freezer Fixtures



1802CAGU24



1806LEDGU24KT



1806LEDGU24

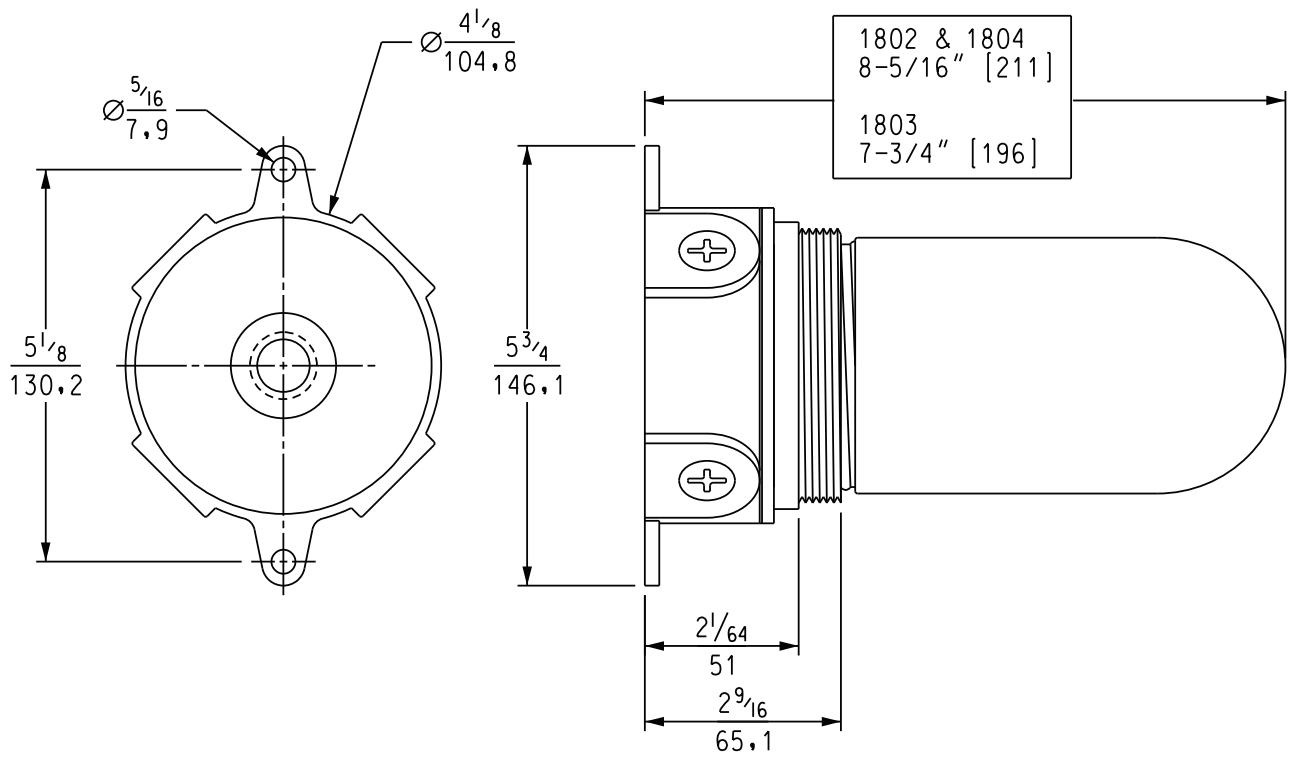


Part No.	Description	Qty./ Carton
Fixture, Lamp, and Globe		
11803LEDA26	Vaporproof LED Fixture with Lamp, 11 W E26	25
11806LEDGU24	Vaporproof LED Fixture with Lamp, 11 W GU24	25
11806LEDGU24MX	Luminaria LED, 11 W GU24	25
Lamp and Globe		
11803LEDA26KT	LED Lamp, 11 W E26 Type A Plus Globe	50
11806LEDGU24KT	LED Lamp, 11 W GU24 Type A Plus Globe	50
Lamp Only		
11802CAGU24	LED Lamp, 11 W GU24 Type A	50
11802CA0E26	LED Lamp, 11 W E26 Type A	50
Fixture and Globe		
11803LG0000MX	Luminaria Incandescente, 120 V, 60 Hz, 75 W, 625 mA, 75 Wh	

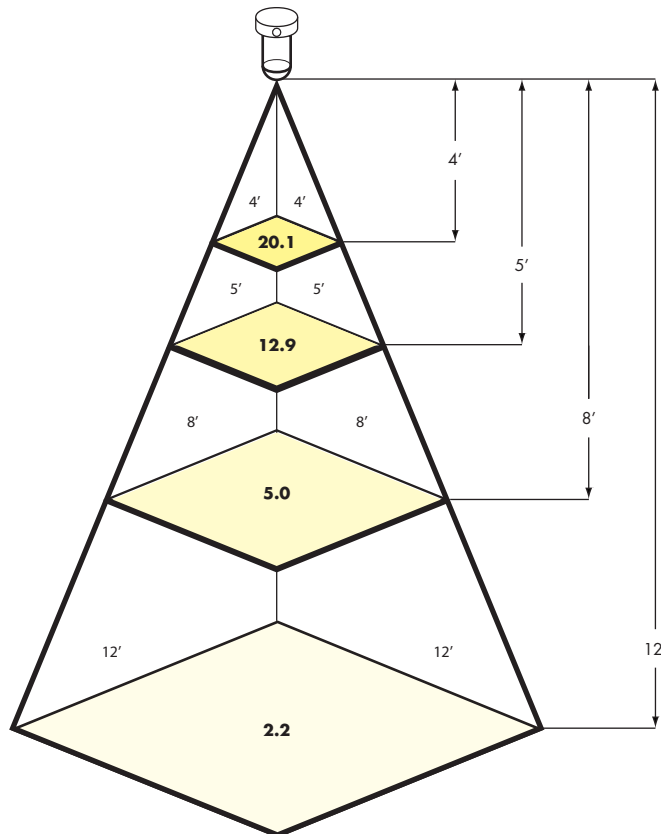


GreenGuard®

KASON



1803 & 1806 LED Light Distribution



1901A Motion Sensor



- Specifically engineered for installation in Walk-in coolers and freezers
- Uses electronic components to allow for reliable operation in extreme temperatures
- Features a gasketed water-tight enclosure which prevents moisture and dust from entering the sensor and affecting occupancy detection
- Saves Energy
- Meets Federal energy regulations for walk-ins
- Operation: Passive infrared sensor detects motion and turns lights on at temperatures below freezing
- Uses DIP switches to set time delay and PIR sensitivity
- For use with all Kason light fixtures

Compatible with:

- 11803/1806 Series – LED Vaporproof Fixtures
- 11807LC0A10 – LED Domed Fixture
- 11807LW0A10 – LED Angled Fixture
- 11808000000 – LED Square Fixture
- 11808FM0000 – LED Flat Mount Fixture
- 11808FMA100 – LED Flat Mount Fixture
- 11808NM0000 – LED Narrow Mount Fixture
- 11808NMA100 – LED Narrow Mount Fixture
- 11809000003 – LED Compact Ceiling Mount Fixture
- 11810LCT Series– 4’ LED Ceiling Mount Fixture

Part No.	Description	Qty./ Carton
11901A00005	Low Bay Sensor with Mounting Kit	10
11901A00007	High Bay Sensor with Mounting Kit	10
11901000009	Replacement Wall Mount Kit	

Specifications

Operation

Passive infrared sensor detects motion and turns lights on at temperatures below freezing. Uses DIP switches to set time delay and PIR sensitivity

Coverage

Low Bay Sensor: High density optic lens set covers a 24’ (7.3 m) diameter with ceiling height up to 20’ (6.1 m)

High Bay Sensor: Same as above except with ceiling height from 20’ (6.1 m) to 40’ (12.2 m)

Material

Polycarbonate

Electrical

Input: 120/277 V

Frequency: 50/60 Hz

Load

120 V with 0 to 800 W ballast;

277 V with 0 to 1200 W ballast

Time Delay

Convenient DIP switch adjusts from 10 seconds to 20 minutes after walk-in is exited. Factory set to 2 min

Temperature Rating

-20°F to 160°F (-28.9°C to 60°F)

Electrical Connection

1/2” (12.7 mm) NPT thread,

13-1/2” (342.9 mm) AWG wire

Mounting

Horizontal or vertical for use with all Kason light fixtures (Mounting kit included)

Safety Standings

IP65

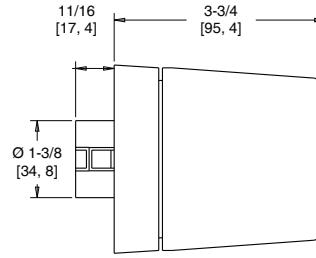
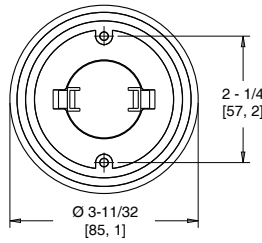
UL Listed US and Canada for wet locations

NSF

Other

Suitable for wet locations. Fully gasketed and enclosed to minimize effects of temperature extremes





- Specifically designed for reach-in refrigerators and freezers
- Accommodates 40 W appliance bulb (not included)
- Drilled for #6 (3.5 mm) mounting screws
- Snap-in porcelain socket with 10" long wire leads
- UL recognized component (US and Canada)
- NSF listed

Specifications

Material

Cast aluminum alloy, impact-resistant clear polycarbonate globe

Finish

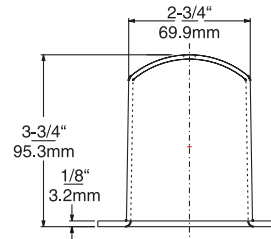
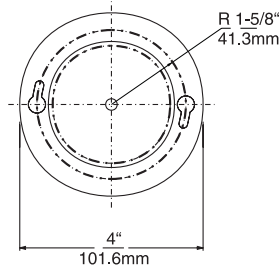
Brushed

Electrical

Input: 120 V

Part No.	Description	Qty./Carton
11805000000	Reach-In Light Fixture	50
91805008510117	Replacement Globe	

1805-1 Lexan Cover



- Protects 40 W appliance bulb in refrigerator or freezer
- Transparent Lexan material is non-toxic and unbreakable
- Guard will not stain or discolor

Specifications

Material

Molded Lexan

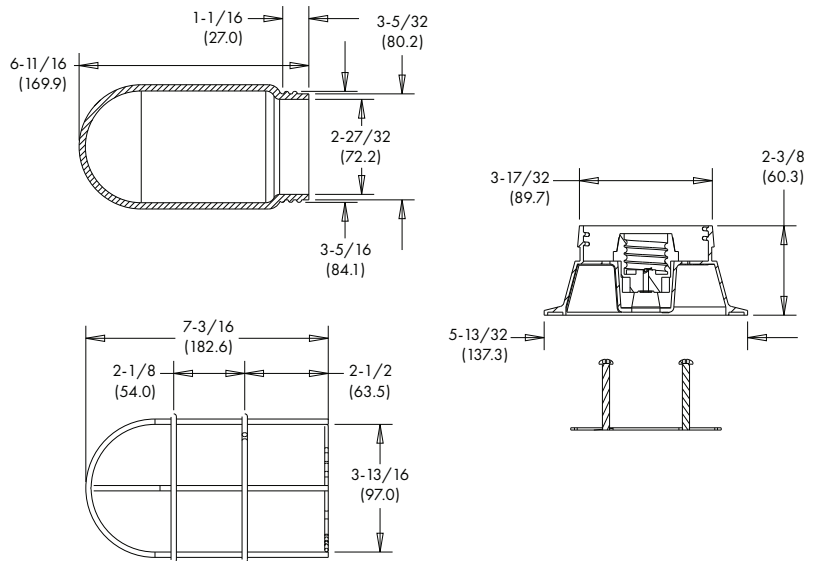
Mounting

Drilled and slotted for No. 8 (4.0 mm) screws

Part No.	Description	Qty./Carton	Wgt./Carton
11805000001	Lexan Cover	50	12 lb (5.44 kg)



1801 Quick-Mount Hood Fixture

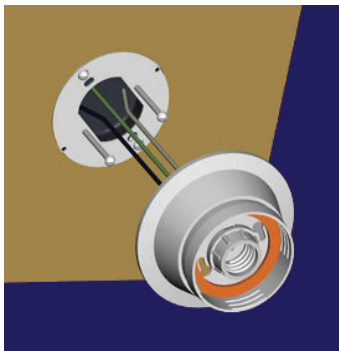


- Quick-mount base installs to junction box in one-third the time of standard surface mount fixture
- Sanitary, rustproof cast aluminum fixture
- Impact and thermal shock-resistant, clear tempered or coated glass globe
- Easy mounting to standard junction box
- Meets requirements for NFPA Code 96 and NEC 410

Part No.	Description
11801000013	Hood Light Housing, UL
61801000004 [†]	Clear Tempered Glass Globe for 1801-13
61801000044	Coated Glass Globe for 1801-13

[†]NSF Listed Components

Mounting



1. Fasten supplied cover plate to your utility box
2. Line up keyholes in housing with long mounting screws supplied with cover plate
3. Twist housing to lock
4. Tighten screws

Specifications

Material

Die-cast aluminum alloy body, brushed finish
 Clear tempered globe with or without PFA shatter proof coating
 Porcelain socket, nickel-plated copper shell with 150°C wire leads
 Closed cell silicone gaskets
 Back plate and screws: Steel, zinc plated

Electrical

Maximum 100 W bulb (not included)

Size

Housing and Globe:
 5-1/2" dia. x 8-1/2" high (140 x 216 mm)

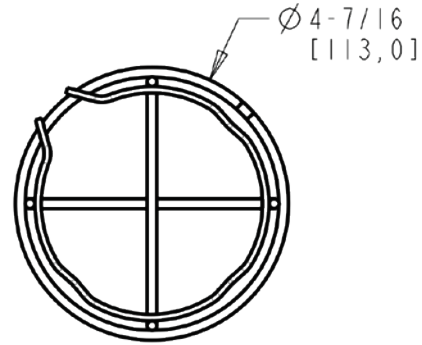
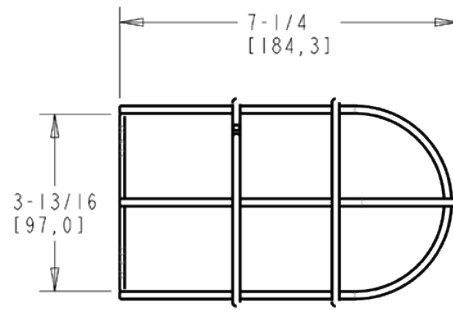
Mounting

To standard 3-1/2" (89 mm) or 4" (102 mm) junction box

Safety Standards

UL listed, File No. E57013

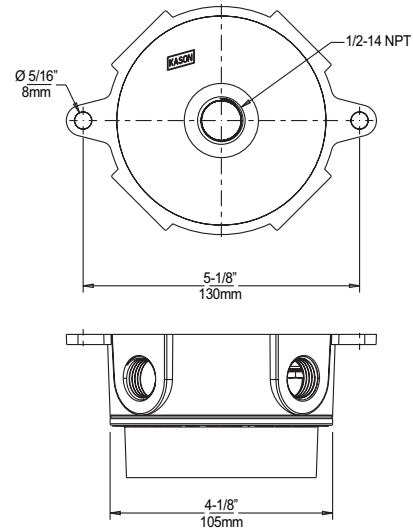




- For use on 1801 series light fixtures
- Chrome plated steel
- Protects glass globe from accidental breakage
- Removable for cleaning without tool
- Easy assembly without tools

Part No.	Description
61801000002	Wire Guard

1806 Series Vaporproof Compact Fluorescent Light Fixture



- Meets federal energy regulations for walk-ins
- GU24 socket provides sustainable, energy-efficient alternative to standard incandescent walk-in fixtures
- Proven self-ballasted compact fluorescent technology provides an economical solution to satisfy new federal energy reduction mandate for 2009
- 26 W fluorescent fulfills Energy Act requirement of 40 lumens per watt
- Compact fluorescent lamp uses about 75% less energy than incandescent 100 W bulb and lasts up to 10 times longer
- Connects with standard electrical wiring
- Available with clear polycarbonate or coated glass globe
- Model No. 1806-10 retrofits to existing Kason No. 1802LG, 1803LG and 1804LG junction boxes
- Meets NSF and UL requirements

Order fixtures and lamps separately.

Part No.	Description	Qty./ Carton	Wgt./ Carton
11806LG0000	Fixture with Lexan Globe and 1/2" NPT	25	49 lb (22 kg)
11806000010	Retrofit Kit for 1802LG, 1803LG and 1804LG Fixtures	50	20 lb (9 kg)
11806LG0LMP	Fixture with Lexan Globe and 1/2" NPT and Lamp 4100K	25	59 lb (27 kg)
91806SC2641	26 W SB CFL Lamp 4100K	50	14 lb (6 kg)

Specifications

Material

Die-cast aluminum box, housing and plugs.
Clear polycarbonate or coated glass globe.

Electrical (Base)

GU24 base accepts one lamp
Input: 120 V
Watts: 13-26 W maximum
Ground screw provided. Accepts standard wiring.

Electrical (Lamp)

Watts: 26 W
10,000 Hr. life
+60 Lumens/Watt
Color Temperature: 4100K
See Light Distribution table on following page.

Temperature Rating

Supply lead 140°F (60°C) minimum. Instant start at -20°F (-29°C), three minutes to full luminescence

Mounting

Surface mounts with two tabs drilled for mounting screws.
Five conduit ports accept 1/2" (13 mm) or 3/4" (19 mm) pipe thread.
Four threaded plugs supplied to seal unused conduit openings (3/4" conduit special order)

Safety Standards

NSF component
UL listed US and Canada, File Nos. E213129 & E317316

Other

Suitable for wet locations. Fully gasketed and enclosed to minimize effects of temperature extremes

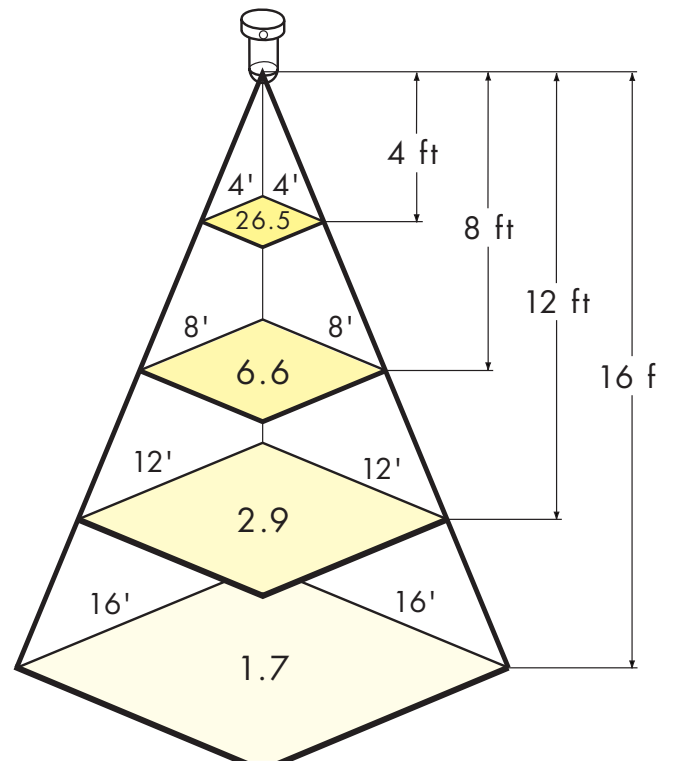


GreenGuard®

1806 Series Light Distribution at 40°F

Height (in Feet)	Average FC for Single Fixture Over Indicated Area				
	4' x 4'	8' x 8'	12' x 12'	16' x 16'	20' x 20'
5	14.4	9.4	5.4	3.5	2.4
8	6.0	6.6	4.0	2.7	2.0
9	-	-	3.7	2.5	1.9
12	-	-	2.9	2.1	1.6
13	-	-	-	2.0	1.5
16	-	-	-	1.7	1.3
17	-	-	-	-	1.2
20	-	-	-	-	1.1

Figures above are for 40°F room after warm-up. Multiply by 0.50 for 0°F and 0.25 for -20°F.



1802LG with 1802-2 Wire Guard/1803LG/1804LG

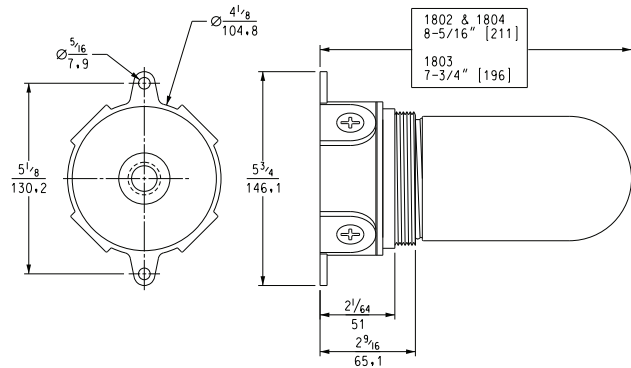
1802LG with Glass Globe (100 W max)
1802-2 Wire Guard (sold separately)



1804LG Glass/Coated Globe (100 W max)



1803LG with Lexan Globe (75 W max)



- Economical Vaporproof fixtures for walk-in coolers and freezers
- Fully gasketed and enclosed to minimize effects of temperature extremes
- Junction box has two tabs for surface mounting
- Base tapped on four sides and bottom to accept standard 1/2" (12.7 mm) conduit
- Four threaded plugs provided to seal unused conduit openings
- Ground screw provided

Specifications

Material

Cast aluminum box, housing and plugs; chrome-plated steel wire guard.

Mounting

Surface mounts; drilled for two mounting screws. Five conduit ports accept 1/2" pipe thread (3/4" thread special order).

UL Listing

File No. E57013

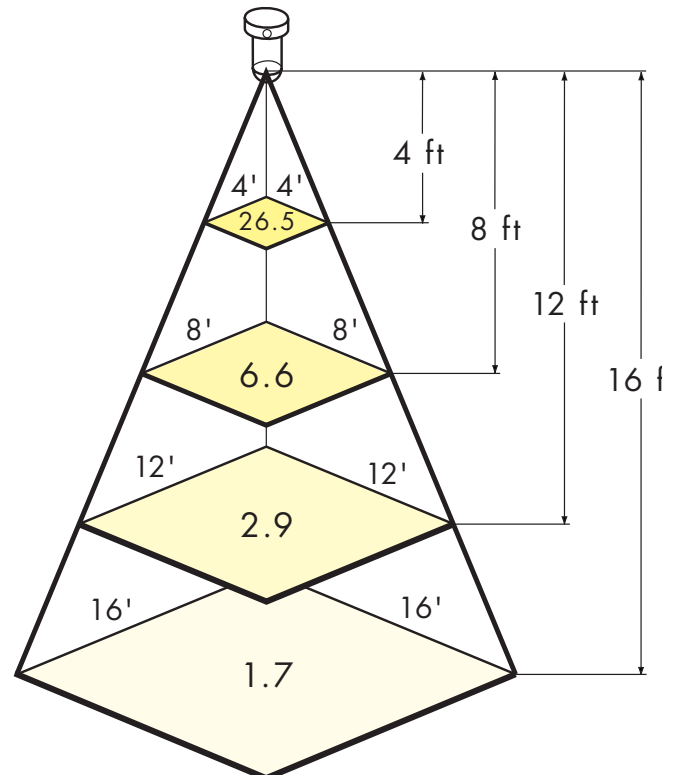
Part No.	Description	Lamp Accepted (not included)	Qty./Carton	Wgt./Carton
11802000001	Glass Globe	-	25	24 lb (10.9 kg)
11802000002	Wire Guard Chrome	-	50	22 lb (10 kg)
11802000003	Junction Box	100 W Max	25	25 lb (11.3 kg)
11802LG0000	Vaporproof Fixture with Glass Globe	100 W Max	25	69 lb (31.3 kg)
11803000001	Lexan Globe	-	25	6 lb (2.7 kg)
11803000003	Junction Box	75 W Max	25	25 lb (11.3 kg)
11803LG0000	Vaporproof Fixture with Lexan Globe	75 W Max	25	37 lb (16.7 kg)
11804000001	Glass Globe	-	25	24 lb (10.9 kg)
11804LG0000	Vaporproof Fixture with Coated Globe	100 W Max	25	69 lb (31.3 kg)



1803LG/
1804LG

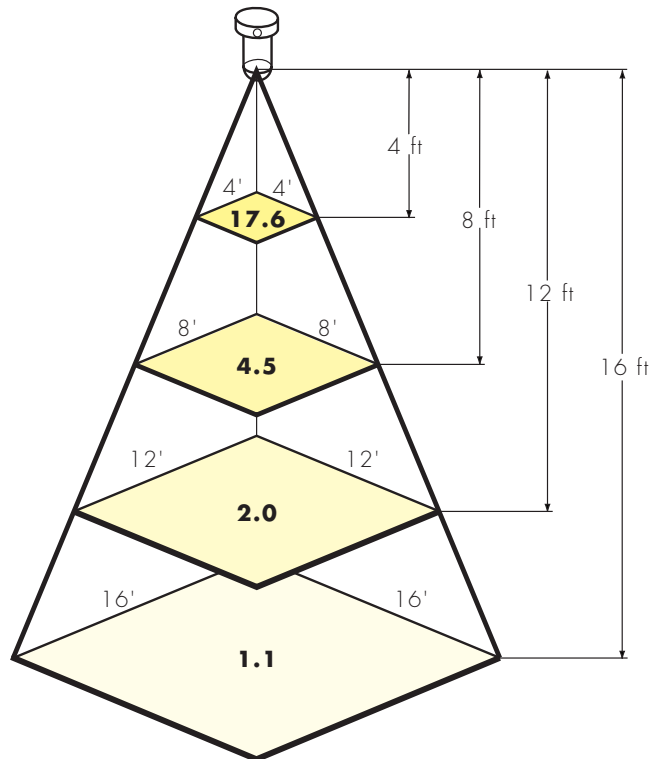
Light Distribution for 1802 & 1804

Height (in feet)	Average Ft. Candles for Single Fixture Over Indicated Area				
	4' x 4'	8' x 8'	12' x 12'	16' x 16'	20' x 20'
4	21.3	15.8	11.7	8.9	7.0
5	14.4	11.5	9.0	7.1	5.7
6	10.3	8.7	7.1	5.8	4.8
7	7.8	6.8	5.7	4.8	4.0
8	6.0	5.4	4.7	4.0	3.4
9	4.8	4.4	3.9	3.4	3.0
10	3.9	3.6	3.3	2.9	2.6
11	3.3	3.1	2.8	2.5	2.2
12	2.7	2.6	2.4	2.2	2.0
13	2.4	2.2	2.1	1.9	1.8
14	2.0	2.0	1.8	1.7	1.6
15	1.8	1.7	1.6	1.5	1.4
16	1.6	1.5	1.4	1.4	1.3
17	1.4	1.3	1.3	1.2	1.1
18	1.2	1.2	1.2	1.1	1.0
19	1.1	1.1	1.0	1.0	1.0
20	1.0	1.0	1.0	0.9	0.9

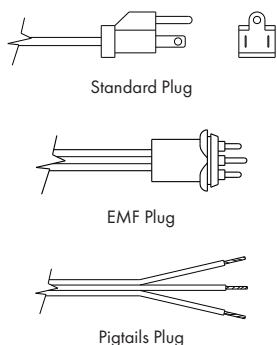


Light Distribution for 1803

Height (in feet)	Average Ft. Candles for Single Fixture Over Indicated Area				
	4' x 4'	8' x 8'	12' x 12'	16' x 16'	20' x 20'
4	17.6	31.1	9.7	7.4	5.8
5	11.9	9.5	7.4	5.9	4.7
6	8.5	7.2	5.9	4.8	3.9
7	6.4	5.6	4.7	3.9	3.3
8	5.0	4.5	3.9	3.3	2.8
9	4.0	3.6	3.2	2.8	2.4
10	3.2	3.0	2.7	2.4	2.1
11	2.7	2.5	2.3	2.1	1.9
12	2.3	2.2	2.0	1.8	1.6
13	1.9	1.9	1.7	1.6	1.5
14	1.7	1.6	1.5	1.4	1.3
15	1.5	1.4	1.3	1.3	1.2
16	1.3	1.3	1.2	1.1	1.0
17	1.1	1.1	1.1	1.0	0.9
18	1.0	1.0	1.0	0.9	0.9
19	0.9	0.9	0.9	0.8	0.8
20	0.8	0.8	0.8	0.8	0.7



0660 Series Energy Saving Condensation Evaporators



Specifications

Material

Die-cast #360 Series aluminum pan; spring wire legs

Finish

Natural

Volume

50 fluid oz (1479 ml)

Size

4-3/4" x 12-1/2" x 2-7/8" (120 mm x 317 mm x 73 mm)

Packaging

1 per carton

Safety Standards

UL Listed, File No. SA11890

- Designed for longer life and energy savings
- Engineered for top efficiency at low energy cost
- Thermostatically controlled, solid state heater provides reliable operation
- Features one-piece pan of corrosion resistant #360 cast aluminum that provides long term performance and requires less frequent cleaning
- Cuts heat loss by directing more heat to the wetted pan areas and less to the pan exterior
- Automatically lowers wattage to conserve energy when the pan is empty
- Strategic placement of the heating element extends heater life
- High-efficiency 225 W models achieve up to 90% of the evaporation of a typical high wattage unit while using 25% less energy

Optional Wall Mounted Bracket for 660 Evaporators

- Bracket mounts to back of cabinet
- Pan snaps in place

Part No.	Description	Cord Length/Plug Type	Evaporation Rate/Hour	Qty./Carton
10660000004	120 V, 160 W Evaporator	18" (457 mm) Cord with Pigtails Plug	4.0 oz (118 ml)	1
10660000006	240 V, 160 W Evaporator	18" (457 mm) Cord with Pigtails Plug	4.0 oz (118 ml)	1
106600000066	240 V, 160 W Evaporator	72" (1829 mm) Cord with Pigtails Plug	4.0 oz (118 ml)	1
10660000006B	240 V, 160 W Evaporator	130" (3302 mm) Cord with Pigtails Plug	4.0 oz (118 ml)	1
10660000006E	240 V, 160 W Evaporator	24" (610 mm) Cord with EMF Plug	4.0 oz (118 ml)	1
10660000006G	240 V, 160 W Evaporator	127" (3226 mm) Cord with Pigtails Plug	4.0 oz (118 ml)	1
10660000008	120 V, 160 W Evaporator	72" (1829 mm) Cord with Standard Plug	4.0 oz (118 ml)	1
1066000000836	120 V, 160 W Evaporator	36" (914 mm) Cord with Standard Plug	4.0 oz (118 ml)	1
10660000008A	120 V, 160 W Evaporator	96" (2438 mm) Cord with Standard Plug	4.0 oz (118 ml)	1
10660000008B	120 V, 160 W Evaporator	132" (3353 mm) Cord with Standard Plug	4.0 oz (118 ml)	1
10660000008E	120 V, 160 W Evaporator	24" (610 mm) Cord with EMF Plug	4.0 oz (118 ml)	1
10660000008G	120 V, 160 W Evaporator	36" (914 mm) Cord with Standard Plug	4.0 oz (118 ml)	1
10660000036	240 V, 160 W Evaporator	72" (1829 mm) Cord with Pigtails Plug	5.3 oz (157 ml)	1
10660000038	120 V, 225 W Evaporator	72" (1829 mm) Cord with Standard Plug	5.3 oz (157 ml)	1
10660000038A	120 V, 225 W Evaporator	96" (2438 mm) Cord with Standard Plug	5.3 oz (157 ml)	1
10660000038T	120 V, 225 W Evaporator	72" (1829 mm) Cord with Pigtails Plug	5.3 oz (157 ml)	1
10660000064	Wall Mounted Bracket			10



*A. Pilot Switches



- Specification grade
- Rated 15 A, 120 V

Option

- 220 V single pole

*G. Large Utility Box



- Tapered aluminum
- 1/2" (12.7 mm) knockouts
- 2-1/8" (54 mm) deep

*B. Stainless Steel Cover



- Stainless steel
- Use with pilot switches

H. 7317 Rocker Switch



- Contact switch
- Plate mounted rocker switch
- Bakelite plunger
- Flush mounting

*C. Receptacle



- Commercial grade
- Black plastic

*D. Blank Cover Plate



- Stainless steel

*E. Cover Plate



- Stainless steel
- For single toggle switch

F. GFCI Receptacle



- Ground fault circuit interrupter for wet locations
- 125 V, 15 Amps at receptacle; 20-AMP feed through
- Complete with cover plate

Ref.	Part No.	Description
	3EEAI000277	Switch, Single Pole, Ivory
	3EEAB000277	Switch, Single Pole, Brown
A	3EEAI000277C	Switch, Single Pole, CSA Listed, Ivory*
	3EEAI000294	Switch, 3-way, Ivory
	3EEAB000294	Switch, 3-way, Brown
	3EEAI000294C	Switch, 3-way, CSA Listed, Ivory*
B	3EEA00000S8	Cover Plate for Switches (A)
C	3EEABL00827	Receptacle, 15 A
	3EEABL00877	Receptacle, 20 A
D	3ELE0000100	Blank Cover Plate
E	3ELE0000101	Cover Plate for Single Switch
F	3ELE0000102	GFCI Receptacle & Cover Plate
G	3ELE0000104	Utility Box, 2-1/8" Deep Box
H	67317000101	Rocker Switch

*CSA switches also available brown or white.

1908 Weatherproof Rocker Switch and Cover Plate



- Specification grade, weatherproof cover plate with 120 V pilot light
- Easy-to-install
- Pilot light built-in for easy illumination. Eliminates the need for additional components
- Built-in indicator can be wired as “night light” or “lights on” to meet all of your needs
- Spade wire terminal for easy and fast installation
- Ideal solution for “wet locations”, indoor and out
- Cover plate included with switch

1908-603 Single and Three-Way Switch with Indicator Light

- Indicator: Neon
- Circuit: SPDT + Indicator
- Connection: 1/4” Spade Male Terminal

1908-604 Four-Way Switch with Indicator Light

- Indicator: Neon
- Circuit: DPDT + Indicator
- Connection: 1/4” Spade Male Terminal

0050 Utility Box



- 3/4” (19 mm) knockouts
- 1-7/8” (47 mm) deep

ELE-500 BWF Single Gang Box



- Weatherproof aluminum
- 1/2” (13 mm) or 3/4” (19 mm) threaded outlets

ELE-1000 BWF Cover Plate



- Weatherproof aluminum
- For single gang box, above

Round Splice Box



- Weatherproof aluminum
- 1/2” (13 mm) threaded outlets

7109 Pedestal Boxes



- Weatherproof, cast aluminum with brushed satin finish
- 1/2” (13 mm) threaded outlets
- For 3/4” NPS or 1/2” NPS
- Ground screw included

Part No.	Description	Qty./Carton	Wgt./Carton
67109000002*	Single Face	1	1.2 lb (0.5 kg)
67109000004*	Double Face	1	1.2 lb (0.5 kg)

Part No.	Description
11908000602	Waterproof Rocker Cover
11908000603	Waterproof Rocker Switch, Single or 3-way
11908000604	Waterproof Rocker Switch, 4-way
3ELE0000050*	Utility Box
3ELE0000500*	Gang Box, 1/2” (13 mm) outlets
3ELE0000750*	Gang Box, 3/4” (19 mm) outlets
3ELE0001000*	Cover Plate for Gang Boxes (B)
3ELE0000RB1*	Round Splice Box

7110 Recessed Housings



- #300 series stainless steel
- Internal covered corners
- Accepts standard J-box for tack welding
- 4, No. 10-24 mounting screws included

Part No.	Description
67110000002	Recessed Housing with Cutout
67110000004	Recessed Housing



7109/7110



- Large dial for easy remote reading
- Private label programs available

Specifications

Material

Stainless steel case; plated capillary; plain metal probe

Display

Analog needle

Temp Range

-40°F to 65°F (-40°C to 20°C) standard; others available

Dial Size

2" (51 mm), 2-1/4" (57 mm) or 5" (127 mm) diameter

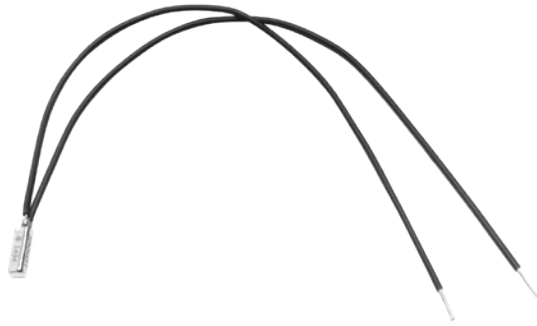
Part No.	Size	Mount	Probe
1TM00000000	2"	Flush	48" Long Capillary, Ctr. Position
1TM00000001	2"	Flush	12" Long Capillary, Ctr. Position
1TM00000045	2-1/4"	Surface	48" Long Capillary, Ctr. Position
1TM00000055	5"	Surface	48" Long Capillary, Ctr. Position
1DTT00000004	2"	Flush	12" Long Capillary, Low Position
1DTT00000005	2"	Flush	240" Long Capillary, Low Position

Note for specifications area:

Flush mount has surface flange, body recessed into wall.

Surface mount has flange at back of body, mounts with no recessing.

Heater Cable Thermostat



- Pepi-B creep action micro thermostat controls walk-in door heater cables
- Low cost, efficient, saves energy
- Factory preset to maintain 102°F (39°C)
- Installs easily with a simple, two-wire connector

Part No.	Description
3ELE0000008	Heater Cable Thermostat

Heater Cable Thermometers

- Silicone Insulated Resistance Heater Wire
- Aluminum Braid, 0.14" Diameter
- 4.8 Ohms per foot (8 watt/ft) nominal
- 24" Lead wire on each end

Part No.	Description
10HTC000220	Heater Cable 220"
10HTC000232	Heater Cable 232"

Solar Digital Thermometers



- Hi-tech, solar powered with battery back up
- Surface mounts from front with two screws
- Field set to Fahrenheit or Celsius.
- Remote reading
- Private label programs available

Specifications

Size

4.5" W x 1.14" H x .63" D (114 x 30 x 16 mm)

Display

LCD, black character, 3/8" high with gray background

Electrical

Solar collector, 50 lux, with battery backup for continuous service

Temperature Rating

-58°F to 158°F (-50°C to 70°C)

Temperature Probe

Glass passivated thermistor. Nickel-plated brass bulb, Ø 0.225". 60" (1524 mm) black PVC lead; other lengths available

Update Time

10 seconds

Connection

Plain

Accuracy

±2°F or 1°C

Resolution

0.1°F or °C

Recalibration

Internal potentiometer, maximum adjustment ±8°F

Ambient Temperature

-40°F to 140°F (-40°C to 60°C)

Case

ABS plastic, black (standard) or white (optional)
Front panel, polycarbonate

Mounting

Surface mounts with two screws from the front

Part No.	Description
3EODTSB0004	Solar Digital Thermometer, Black

1967-A4 Temperature Display & Alarm



- Easy-to-read, ultra-bright blue LED display
- Plug and Play Digital Temperature Probe
- No calibration required
- Temperature alarms HIGH and LOW
- Automatic Alarm Activation (AAA)
- 9 V battery back up with low battery indicator (not included)

Specifications

Electrical Rating

Input: 120 V, 240 V Available
Amps: 16 A

Accuracy

±0.5°F (0.3°C)

Temperature Rating

Sensing Temp: 40°F to 104°F (-40°C to 40°C)
Operating Temp: 32°F to 77°F (0°C to 25°C)

Dimensions

2-3/4" x 4-1/2" x 1-5/8"

Standards

UL Listed US and Canada (E110724)

Part No.	Description	Qty./Carton
119670000A4	Temperature Alarm w/ Light Switch, 120 V	10
119670000A4240	Temperature Alarm w/ Light Switch, 240 V	10

1967-38 Door Sensors



- Triggers "lights-on" when door is opened
- Monitoring sensor for door open alarm
- 119670000A3 Temperature Display only

Specifications

Material

White plastic

Mounting

Press into a 3/4" (19.05 mm) drilled hole

Activation Distance

1"

Part No.	Description	Qty./Carton
11967000038	Door Sensor	1

1967-A2 Temperature Display



- Easy-to-read, ultra-bright red LED display
- Single/3-Way/4-Way capable switching
- Plug and Play Digital Temperature Probe
- No calibration required
- Easy access for temperature unit switching
- Customizable face plate
- Saves money and energy
- Optional switch cover for wet locations is available (Top Right)

Specifications

Mounting

Standard 2-1/8" deep junction box (purchase separately)
#6-32 x 3/4" SS, oval head screws (2 provided)

Electrical Ratings

Input: 120 V, 240 V available
Amps: 20 A

Idle Power

Watts: 2.4 W

Display

-40°F to 104°F (-40°C to 40°C)

Dimensions

2-3/4" x 4-1/2" x 1-5/8"

Standards

UL Recognized (E110724)
NSF Component
RoHS Compliant

Part No.	Description	Qty./Carton
119670000A2	Temp. Display w/ Light Switch, 120 V	10
119670000A2240	Temp. Display w/ Light Switch, 240 V	10
119670006A2	Wet Location Temperature Display, 120 V	10
11967000602	Wet Location Cover and Screws	10
91967B09453600	36" Replacement Battery Cable	
91967000942	72" Replacement Temperature Probe	
9196700094224000	240" Replacement Temperature Probe	
3ELE0000104	2-1/8" Deep Junction Box	



1967-A3 Temperature Display & Switch



- Easy-to-read, ultra-bright Blue LED display
- Multilocation switch allows you to control up to 2 switches using low voltage communication
- 3-way hardwire compatible
- Changes between freezer and cooler temperature probes
- Designed for wet and dry locations; oversized gasket fills voids between unit and uneven surfaces
- Easy-to-activate light relay with touch technology
- Plug and play digital temperature probe included (no calibration required)
- Can be customized to have company name or logo printed on front
- Quick installation with no connectors required

Specifications

Material

Clear polycarbonate housing, aluminum simulated polycarbonate overlay, silicone gasket

Mounting

Standard 2-1/8" deep junction box (purchase separately), #6-32 x 3/4" SS, oval head screws (2 provided)

Electrical Rating

Input: 120 V, 240 V Available

Amps: 16 A

Normal Operation

Display Only:

1.5 W/120 V = 0.01 Amps & 1.5 W/240 V = 0.01 Amps (round up)

With Relay (light) on:

2.2 W/120 V = 0.02 Amps & 2.2 W/240 V = 0.01 Amps

Part No.	Description	Qty./Carton
119670000A3	Dual Temperature Display w/ Light Switch, 120 V	10
19670000A3240	Dual Temperature Display w/ Light Switch, 240 V	10
11967000F38	Door Sensor, 3/8" (7.9 mm), 24" (0.6 m)	1
11967000F3820	Door Sensor, 3/8" (7.9 mm), 20' (6.0 m)	1
11967B09453600	Battery Cable, 36" (0.9 m)	
11967000942	Temperature Probe, 72" (1.8 m)	
11967006130117	Junction Box Gasket	
11967000933	Com Cable, 50' (15.3 m)	

1967-A57 Entrapment/Panic Alarm

Exterior Entrapment Alarm (1967-A5)



Interior Panic Alarm (1967-A7)



- 100 dB audible alarm
- Easy to understand visual display
 - Flashing yellow: Door open (1967-A5)
 - Flashing red/blue: Panic (1967-A5)
- Hard wired illuminated panic button
- Plug and play installation
- Connects to existing/future security systems

Specifications

Material

Clear polycarbonate housing with gasket

Mounting

Standard 2-1/8" deep junction box (purchase separately), #6-32 x 3/4" SS oval head screws (2 provided)

Electrical Rating

Input: 120 V, 240 V Available

Amps: 2 A @ 12 VDC

Part No.	Description	Qty./Carton
11967012A57	Entrapment/Panic Alarm	1

