



It's Better with Kason.

Reach-In Hardware & Accessories

1.800.935.2766 | kasonind.com



The Kason Mission

To Protect your Product Integrity

Our customers go to great lengths to build top-of-the-line coolers, freezers, foodservice equipment, industrial enclosures and delivery vans. Our goal is to preserve your product integrity by providing the highest quality door hardware and accessories for both original equipment and replacement applications.

End users need to protect products and processes, and lower operating costs. Their first line of defense is stable, airtight enclosures with doors that open with ease and close securely.

Since 1926, Kason has promised and delivered just that. Kason's extensive lines of walk-in and reach-in door hardware satisfy the most demanding requirements. Demonstrate the value of your products with the most innovative, dependable and longlasting hardware in the business.

Research and Testing

Every Kason product must fulfill our customers' requirements. Before we develop a new product, we research the needs of both our industry and end users. We are never satisfied with the status quo. Our dedicated research and development staff continually search for pioneering design concepts. They insist on engineering integrity, extensive product testing and precise, in-line quality control. That is how we have developed such successful and trustworthy products as SafeGuard® inside releasing safety latches, Pacesetter handles and hinges, stainless steel hinges and latches and truck door handles with removable cylinder locks.

Creative Concepts

Leading equipment manufacturers turn to Kason when they want a unique look of their own. We will adapt a stock product, design custom hardware or partner with your design engineers to develop a signature appearance just for your products. Building special and customized hardware is routine at Kason.

Quality

Kason production facilities boast state-of-the-art installations, featuring fully automated die-casting, polishing and electroplating, as well as a full range of electronically controlled and robotic machinery. We require the finest raw materials, accurate machine tolerances and the highest level of Finishing. Skilled, experienced people maintain the Kason tradition of production excellence. Our unremitting commitment to superior manufacturing assures you consistently high quality products at the lowest possible cost. Quality assurance is integrated into every step of Kason operations to from engineering research and development through packaging and shipping.

Service

The lifeline to all your foodservice needs is our efficient and friendly Customer Service Department. A representative can quickly track product availability or the status of your order with our computerized inventory and order control system. Count on dependable global delivery as we serve you from Kason distribution centers in the continental United States and Canada as well as through authorized distributors throughout the world.

Our Promise

Satisfying your needs is our top priority. That is why Kason supplies you with hardware and accessories that reflect the same quality you demand in your own products. We strive to demonstrate an attitude that makes you want to do business with us. At Kason we offer a tradition of excellence, a philosophy of innovation and the most trusted name in specialty commercial hardware.

Contacts

USA Sales & Distribution Centers

1.800.93KASON (800.935.2766)

Kason Industries, Inc.

Global Headquarters

57 Amlajack Boulevard | Newnan, GA 30265-1015, USA
800.935.3550 | FAX: 770.251.4854
Info@kasonind.com

Kason Foodservice Division

31 Amlajack Boulevard | Newnan, GA 30265-1015, USA
866.231.2157 | FAX: 770.252.8397
FoodService@kasonind.com

Kason International Division

57 Amlajack Boulevard | Newnan, GA 30265-1015, USA
770.304.3000 | FAX: 770.251.4854
International@kasonind.com

Kason Vinyl Division

31 Amlajack Boulevard | Newnan, GA 30265-1015, USA
800.472.7450 | FAX: 770.252.8397
Vinyl@kasonind.com

Kason Canada Branch

226 Industrial Pkwy North, Unit 2 | Aurora, Ontario, L4G 4C3, Canada
905.713.6515 | FAX: 905.713.6518
Canada@kasonind.com

Kason Central Branch

8889 Whitney Drive | Lewis Center, OH 43035-7106, USA
740.549.2100 | FAX: 740.549.0701
Central@kasonind.com

Kason Mid-America Branch

1239 Atlantic Avenue | Kansas City, MO 64116-4141, USA
816.472.7450 | FAX: 816.472.8580
MidAmerica@kasonind.com

Kason Western Branch

1500 East Wooley Road, Suite E
Oxnard, CA 93030-7385, USA
805.247.1088 | FAX: 805.247.1164
Western@kasonind.com

Catalog Icons



Walk-In



Casters & Caster Legs



Vinyl



Plumbing



Sliding Doors



Cabinet & Cafeteria



Lighting & Electrical



Canopy Hood



Reach-In



Fabrication Supplies



Equipment Legs



Truck Body

0038-08 Lock Keepers for Overlapping Reach-In Doors.....	228	1219 Adjustable Hinge.....	194
0038-12 Lock Keepers for Overlapping Reach-In Doors.....	228	1247/1257 Cam-Rise Hinge.....	195
0060 Pilaster.....	223	1267 Cam-Rise Hinge.....	196
0065 Pilaster.....	223	1269 Switch-Activator Hinge.....	197
0139 Narrow Flange Hinge.....	200	1367R/1367S Micro Switch (Optional).....	198
0170 Series Magnetic Latches.....	209	1367R Universal Replacement Cam-Rise Lift-Off Hinge.....	198
0171 Series Magnetic Latches.....	210	1367S Micro Switch.....	196
0172 Magnetic Mechanical Latch.....	212	1467 Micro Switch (Optional).....	199
0173/0174 Edgemount Mechanical Latches.....	213	1467R Double Adjustable Cam-Rise Hinge.....	199
0174B-14 Oven Latch.....	213	1510/1511/1530/1531 Horizontal Face Mounted Pivot Hinges.....	207
0177 Edgemount Mechanical Latches.....	214	1512/1513/1532/1533 Horizontal Face Mounted Pivot Hinges.....	208
0177 Strike Assemblies.....	214	1521/1522 Pivot Hinges.....	202
0211 Slimline Hinge.....	187	1556-12 Top Right.....	205
0212 Adjustable Hinge.....	187	1556-14 Bottom Right.....	205
0213 Standard Hinge.....	188	1556-22 Top Right.....	205
0214 Adjustable Hinge.....	189	1556-24 Bottom Right.....	205
0215 Cam-Rise Hinge.....	195	1556-36 Double Bottom Right.....	205
0217 Adjustable Hinge.....	190	1556-202F Stop Flange (Right Hand).....	205
0218 Adjustable Spring Hinge.....	190	1556-203F Pivot Flange Center (Right Hand).....	205
0220 Spring Hinge.....	191	1556-204F Pivot Flange (Right Hand).....	205
0225 Hi-Temp Resistant Hinge.....	194	1556-304/1556-308 Power Pivot Hinges.....	203
0381 Die-Cast Handle.....	224	Kason Hinge Selector.....	186
0531 Trigger Action Series.....	217		
0533D/0538 Edgemount Mechanical Latches.....	216		
0544 Compact Magnetic Edgemount Latch.....	215		
0812 Cam Action Latch.....	222		
0877 Padlocking Pull Handle/0879 Padlocking Pull Handle Stub.....	227		
0878 Padlocking Pull Handle/0879H Wedge Type.....	227		
0893 Inside Release Handle.....	227		
0902 Heavy-Duty Handle.....	224		
0906 Compact Rear Mount Handle.....	225		
0907 Compact Front Mount Handle.....	225		
0910 Customizer Rear Mount Handle.....	225		
0911 Customizer Front Mount Handle.....	225		
0912 Designer Handle.....	226		
0930 Series Trigger Action Latches.....	218		
0930X Trigger Action Latch.....	220		
0931 Trigger Action Latch.....	219		
0931X Trigger Action Latch.....	221		
1061 Steel Hinge/1061BB Ball Bearing Hinge.....	200		
1070/1071 Narrow Flange Hinges.....	201		
1070A/1071A Nylon Bearing Hinges.....	201		
1216-27 Spring Cartridge Kit (Optional).....	193		
1216-31 Hi-Temp Brass Oven Hinge.....	193		
1216 Double Adjustable Hinge.....	192		

Kason Hinge Selector

Our Hinge Selector was created to assist you in choosing the best Kason hinges for your commercial refrigeration, foodservice equipment, transportation, or industrial needs. The Load Chart, below, shows our recommended allowable load per two hinges for each hinge group.

The data applies for normal conditions under static loading by door weight only. Other factors, such as positive or negative pressure, very high gasket compression, vibration, corrosive or abrasive atmospheres, lubrication, cam life or structural movement are not taken into account. It is the final responsibility of the users to determine the suitability and capacity required in their specific applications.

How to Use this Chart

1. Locate the weight of your door in the far left column, headed Door Weight.
2. Find the width of your door along the bottom of the chart.
3. Where the Weight and Width column intersect, find the recommended hinge group code (A, B, etc.)
4. Select your hinges from the Kason Hinge Groups

NOTE: If exact dimensions and weight for your door is not shown, use the next higher width and weight.

Load Chart

		kg	lb																					
Door Weight	226.8	500	D	D	E	F	F	F	G	G	G	G	H	H	H	H	H	H	J	J	J	J		
	217.7	480	D	D	E	F	F	F	G	G	G	G	H	H	H	H	H	H	J	J	J	J		
	208.6	460	D	D	E	E	F	F	F	G	G	G	G	H	H	H	H	H	H	J	J	J		
	199.5	440	D	D	D	E	F	F	F	G	G	G	G	G	H	H	H	H	H	H	J	J		
	190.5	420	D	D	D	E	F	F	F	F	G	G	G	G	H	H	H	H	H	H	H	J		
	181.4	400	D	D	D	E	E	F	F	F	G	G	G	G	G	H	H	H	H	H	H	H		
	172.4	380	D	D	D	D	E	F	F	F	F	G	G	G	G	G	H	H	H	H	H	H		
	163.3	360	D	D	D	D	E	E	F	F	F	G	G	G	G	G	G	H	H	H	H	H		
	154.2	340	D	D	D	D	E	E	F	F	F	F	G	G	G	G	G	G	H	H	H	H		
	145.2	320	C	D	D	D	D	E	E	F	F	F	F	G	G	G	G	G	G	H	H	H		
	136.1	300	C	D	D	D	D	E	E	E	F	F	F	F	G	G	G	G	G	G	H	H		
	127.0	280	C	D	D	D	D	D	E	E	F	F	F	F	F	G	G	G	G	G	G	H		
	117.9	260	C	C	D	D	D	D	D	E	E	F	F	F	F	F	G	G	G	G	G	G		
	108.9	240	C	C	D	D	D	D	D	D	E	E	F	F	F	F	F	F	G	G	G	G		
	99.8	220	C	C	C	D	D	D	D	D	D	E	E	E	F	F	F	F	F	F	G	G		
	90.7	200	B	C	C	D	D	D	D	D	D	D	E	E	E	F	F	F	F	F	F	G		
	81.7	180	B	C	C	C	D	D	D	D	D	D	D	E	E	E	E	F	F	F	F	F		
	72.6	160	B	B	C	C	C	D	D	D	D	D	D	D	D	E	E	E	E	F	F	F		
	63.5	140	B	B	C	C	C	C	D	D	D	D	D	D	D	D	D	E	E	E	E	F		
	54.4	120	B	B	B	C	C	C	C	C	D	D	D	D	D	D	D	NR	NR	NR	NR	NR		
45.4	100	B	B	B	B	B	C	C	C	C	C	D	D	D	D	D	NR	NR	NR	NR	NR			
36.3	80	B	B	B	B	B	B	C	C	C	C	C	C	C	D	D	NR	NR	NR	NR	NR			
27.2	60	A	A	A	A	B	B	B	B	B	B	C	C	C	NR	NR	NR	NR	NR	NR	NR			
18.1	40	A	A	A	A	A	A	A	A	B	B	B	B	B	NR	NR	NR	NR	NR	NR	NR			
9.0	20	A	A	A	A	A	A	A	A	A	A	A	A	A	NR	NR	NR	NR	NR	NR	NR			
		in.	12	15	18	21	24	27	30	33	36	39	42	45	48	51	54	57	60	63	66	69	72	
		cm.	30.5	38.1	45.7	53.3	61.0	68.6	76.2	83.8	91.4	99.1	106.7	114.3	121.9	129.5	137.2	144.8	152.4	160.0	167.6	175.3	182.9	
		Door Width																						

Hinge Groups

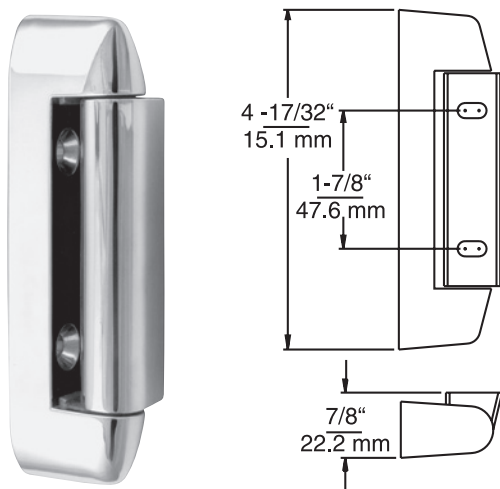
Group	Type	Max Moment (in.-lb)	Product Families
A	Reach-In	690	0139, 0209, 0211, 0212, 0213, 0214, 0215, 0225, 1070, 1216, 1216-13, 1219, 1247*, 1257*, 1267*, 1268*, 1269*, 1367R*, 1467R*
B	Reach-In	1200	0217, 0218, 0220, 1070A, 1071, 1220, 1510, 1511, 1512, 1513, 1521, 1522, 1530, 1531, 1532, 1533, 1556
C	Reach-In	1980	1061, 1071A, 1247*, 1257*, 1267*, 1268*, 1269*, 1367R*, 1467R*, 1550
D	Walk-In	3990	1241, 1243, 1245, 1246, 1248, 1249, 1251, 1255, 1256, 1341, 1346**
E	Walk-In	4590	1074
F	Walk-In	6930	1037, 1055, 1214, 1240, 1409, 1345***
G	Walk-In	9900	0998, 1073, 1277, 1277L, 1277S, 1277T, 1278, 1278S, 1377L, 1377, 1378, 1398
H	Walk-In	15000	1075, 1076, 1275, 1276
J	Walk-In	18000	0094
NR			Not Recommended, consult factory

* Category A to maximize cam life and for spring versions. Reduce by 15 lb/hinge for spring option. Category C for safe static load option.

** Maximum 220 lb up to 36" wide; Maximum 2940 in-lb beyond 36"

*** Maximum 9,000 in-lb, max 300 lb

0211 Slimline Hinge



- Streamlined styling for lightweight doors
- Smooth operation with self-lubricating nylon bearing
- Adjusts easily to compensate for gasket wear
- Interchangeable for right or left-opening door

Part No.	Description	Wgt./Carton
10211000001	Strap, Flange & Adjustment Plate	42.7 lb (19.4 kg)
10211000002	Cover, Chrome	9.5 lb (4.3 kg)
10211000005*	Cover, Heavy-Duty, Chrome	9.5 lb (4.3 kg)

*Only available through special order.

Specifications

Material

High pressure, die-cast zinc

Finish

Polished chrome plated

Adjustment

Range: 3/16" (4.8 mm)

Offset

1-1/4" (28.6 mm)

Mounting

Drilled and countersunk for No. 10 (5.0 mm) screws

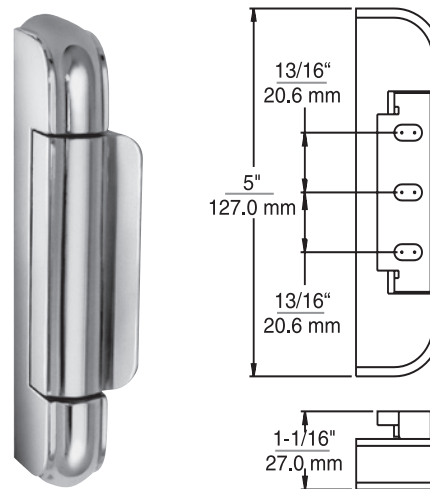
Load Rating

See Hinge Selector Chart on page 186, Group A

Packaging

100 per carton

0212 Adjustable Hinge



© U.S. Trademark 2,374,415

- Positive adjustment compensates for gasket wear
- Interchangeable for right or left-opening door

Part No.	Description	Offset
10212000004	Hinge	7/8" (22.2 mm)
10212000008	Hinge	1-1/8" (28.6 mm)
10212000012	Hinge	1-3/8" (34.9 mm)

Specifications

Material

High pressure, die-cast zinc flange; polished stainless steel cover, zinc plated steel strap

Finish

Highly polished chrome

Adjustment

Range: 3/16" (4.8 mm)

Mounting

Drilled and countersunk for No. 10 (5.0 mm) screws

Load Rating

See Hinge Selector Chart on page 186, Group A

Weight

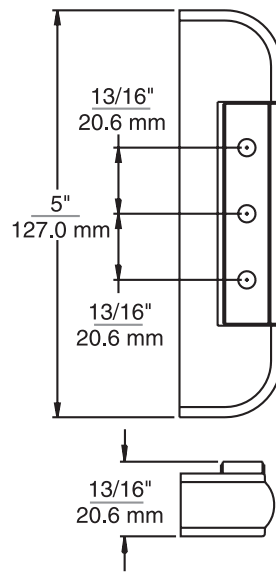
Approx. 11 lb (5.0 kg) per carton

Packaging

20 per carton



0213 Standard Hinge



© U.S. Trademark
2,374,415

- Smooth operation, economy and strength
- Narrow width saves space, mounts close to door
- Interchangeable for right or left-opening door

Part No.	Description	Offset
10213000004	Hinge	7/8" (22.2 mm)
10213000008	Hinge	1-1/8" (28.6 mm)
10213000012	Hinge	1-3/8" (34.9 mm)

Specifications

Material

High pressure, die-cast zinc flange; polished stainless steel cover, zinc plated steel strap

Finish

Polished chrome

Mounting

Drilled and countersunk for No. 10 (5.0 mm) screws

Load Rating

See Hinge Selector Chart on page 186, Group A

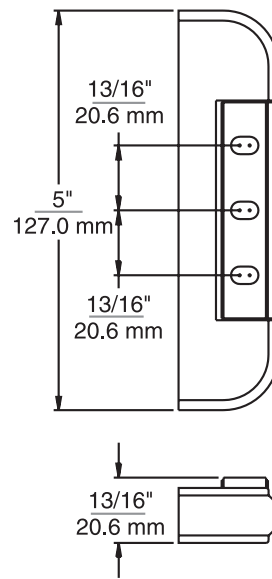
Packaging

20 per carton

Weight

Approx. 8 lb (3.6 kg) per carton





© U.S. Trademark
2,374,415

- Mounts close to door. Requires minimum jamb width
- Adjustment range is 1/8" (3.2 mm)
- Easy, positive adjustment by loosening mounting screw and resetting serrated adjustment plate
- Interchangeable for right or left-opening door

Part No.	Description	Offset
10214000004	Hinge	7/8" (22.2 mm)
10214000008	Hinge	1-1/8" (28.6 mm)
10214000012	Hinge	1-3/8" (34.9 mm)

Specifications

Material

High pressure, die-cast zinc flange and adjustment plate, polished stainless steel cover, zinc plated steel strap

Finish

Polished chrome

Adjustment

Range: 1/8" (3.2 mm)

Mounting

Drilled and countersunk for No. 10 (5.0 mm) screws

Load Rating

See Hinge Selector Chart on page 186, Group A

Packaging

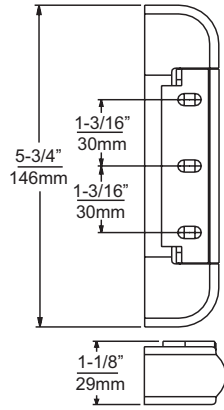
20 per carton

Weight

Approx. 11 lb (5.0 kg) per carton



0217 Adjustable Hinge



© U.S. Trademark
2,437,925

- Larger, heavy-duty hinge
- Choice of three offsets
- Serrated plate easily adjusts to compensate for gasket compression
- Interchangeable for right or left-opening door

Specifications

Material

High pressure, die-cast zinc flange and adjustment plate; polished stainless steel cover, zinc plated steel strap

Finish

Polished chrome

Adjustment

Range: 3/16" (4.8 mm)

Mounting

Drilled and countersunk for No. 10 (5.0 mm) screws

Load Rating

See Hinge Selector Chart on page 186, Group B

Packaging

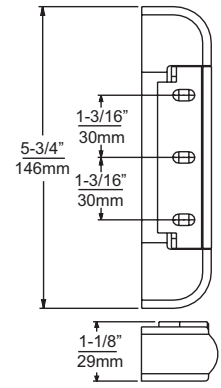
24 per carton

Weight

Approx. 18 lb (8.2 kg) per carton

Part No.	Description	Offset
10217000004	Hinge	7/8" (22.2 mm)
10217000008	Hinge	1-1/8" (28.6 mm)
10217000012	Hinge	1-3/8" (34.9 mm)

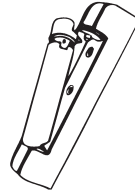
0218 Adjustable Spring Hinge



© U.S. Trademark
2,437,925

To Install Spring Cartridge

Depress bushing and slip the spring-loaded cartridge in place. Perform this simple operation in the field in minutes.



- Removable spring cartridge
- Powerful spring tension adjusts easily to provide needed closing force
- Ideal for self-closing refrigerators
- Serrated adjustment plate compensates for gasket compression
- Interchangeable for right or left door

Specifications

Material

High pressure, die-cast zinc flange, adjustment plate and spring cartridge; zinc plated steel strap

Finish

Polished chrome

Adjustment

Range: 3/16" (4.8 mm)

Mounting

Drilled and countersunk for No. 10 (5.0 mm) screws

Load Rating

See Hinge Selector Chart on page 186, Group B

Packaging

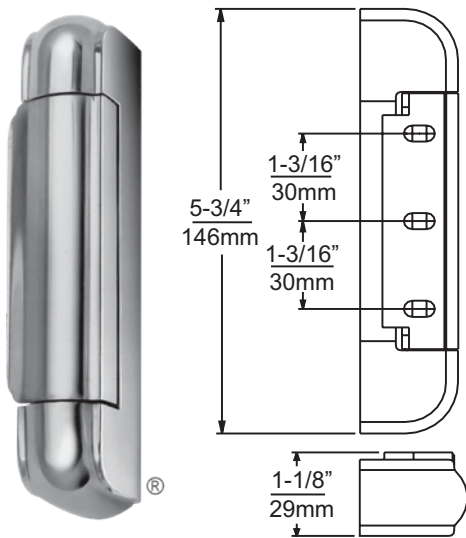
24 per carton

Weight

Approx. 33 lb (15.0 kg) per carton

Part No.	Description	Offset
10218000004	Hinge	7/8" (22.2 mm)
10218000008	Hinge	1-1/8" (28.6 mm)
10218000012	Hinge	1-3/8" (34.9 mm)
10218000028	Spring Cartridge	





© U.S. Trademark
2,437,925

- Heavy-duty, long wearing design
- Fully round pivot pin assures trouble-free operation and long life
- Spring tension adjusts quickly on site
- Adjustable to compensate for gasket compression
- Interchangeable for right or left-opening door

Specifications

Material

High pressure, die-cast zinc flange and adjustment plate, polished stainless steel cover, zinc plated steel strap

Finish

Polished chrome

Adjustment

Range: 3/16" (4.8 mm)

Mounting

Drilled and countersunk for No. 10 (5.0 mm) screws

Load Rating

See Hinge Selector Chart on page 186, Group B

Packaging

24 per carton

Weight

Approx. 18 lb (8.2 kg) per carton

Part No.	Description	Offset
10220000008*	Hinge	1-1/8" (28.6 mm)
10220000012	Hinge	1-3/8" (34.9 mm)
10220000027	Spring Cartridge Kit	

*Only available through special order.

0220 Spring Cartridge Kit Installation



1. Assemble spring cartridge as shown.



2. Place throughst washer and bushing over hexagon pin on mounted hinge. Insert adjustment pin into adjustment bushing assembly. Grasping adjustment pin, compress spring and place adjustment bushing assembly over round pin.

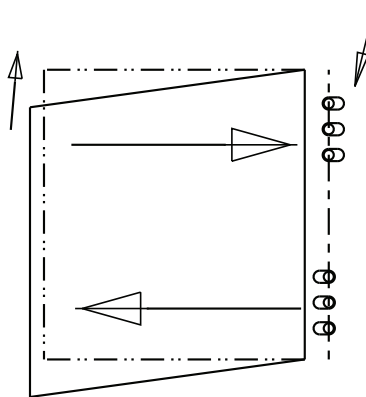


3. Adjust tension; then insert stop pin in hole of adjustment bushing assembly.

© 2025 Kason Industries, Inc.
0823 LIT 001



1216 Double Adjustable Hinge



To level a sagging door, adjust lower flange TOWARD opening and upper flange away from opening.

- Dual serrated adjustment plates provide quick and easy adjustment to compensate for door sag and gasket compression
- Interchangeable for right or left hand applications
- Accepts power spring conversion kits
- Zinc die cast construction
- Options for stainless steel internal parts for outside application
- Well styled ideal hinge for under cabinet and refrigerator use
- Non-rise action keeps door at constant level throughout pivot range
- Serrated micro adjustment plate allows door to cabinet correction of 1/32" for exact gasket seal and 5/32" door to opening adjustment for optimum door alignment
- Add fully adjustable spring assist to assure automatic hands-free door closure
- Includes special flange washers to bypass the flange adjustment feature for OEM mounting. User may remove in-field when adjustment is necessary
- Snap-on polished stainless steel cover hides mounting hardware and provides required seal against infestation

Specifications

Material

High pressure, die-cast zinc flange and adjustment plate, steel strap, stainless steel cover, aluminum flange adjustment plate

Offset Flange Plug: Propylene

Pins: Plated Steel

Spring: Stainless Steel

Spring Bushings: Brass

Finish

Polished chrome

Adjustment

Range: 3/16" (4.8 mm)

Mounting

Drilled and countersunk for No. 10 (5.0 mm) screws

Load Rating

See Hinge Selector Chart on page 186, Group A

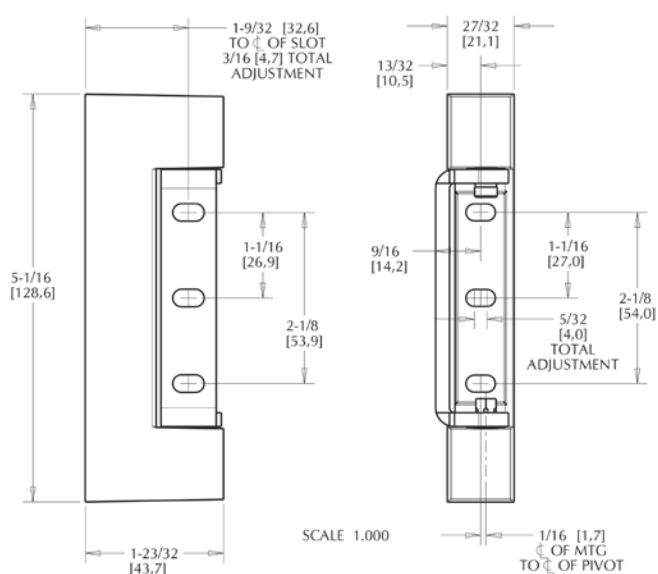
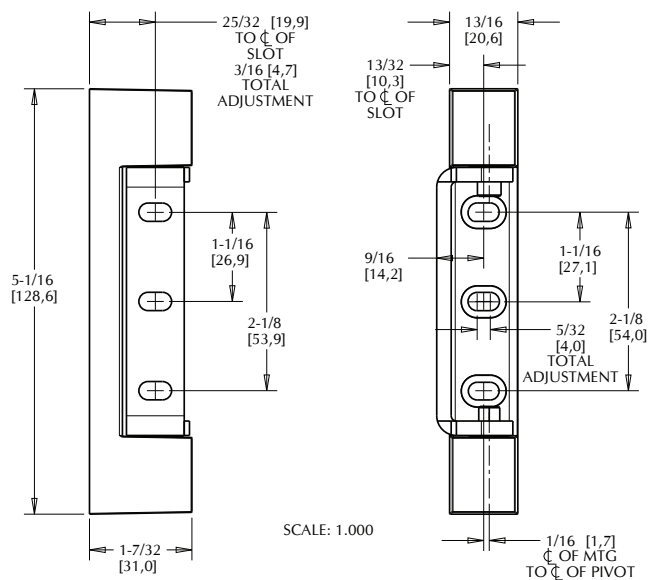
Weight

Approx. 22 lb (10.0 kg) per carton

Part No.	Description	Offset	Qty./Carton
11216000012	Dual Adjustable Hinge	1-1/8" (28.6 mm)	40
11216000014	Dual Adjustable Hinge	1-5/8" (41.2 mm)	40
11216000031	Solid Brass Hi-Temp Hinge	1-1/8" (28.6 mm)	24
11216000027	Spring Cartridge Kit	1-1/8" (28.6 mm)	20
11216SS0001 *	Adjustable Hinge with Stainless Strap	1-1/8" (28.6 mm)	40
11216SS00027 *	Spring Cartridge Kit with Stainless Pins	1-1/8" (28.6 mm)	20
91216003610095	Cover		

*Stainless steel options are special order only



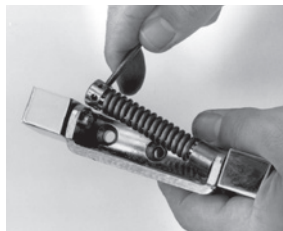


1216-27 Spring Cartridge Kit (Optional)

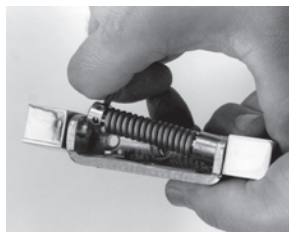
This kit easily converts both the 1216-12 and 1216-14 double adjustable hinge and the 1216-31 hi-temp hinge to a spring hinge.



1. Assemble spring cartridge as shown.



2. Slip bushing over hexagon pin on mounted hinge; then insert adjustment pin into adjustment bushing assembly.



3. Grasping adjustment pin, compress spring and place adjustment bushing assembly over round pin.



4. Adjust tension; then insert stop pin in hole of adjustment bushing assembly.

1216-31 Hi-Temp Brass Oven Hinge

- Non-rise hinge for right or left-hand use
- Designed for ovens, steam cabinets and other heated appliances
- Offsets adjust easily; loosen mounting screws and reset serrated adjustment plate

Specifications

Material

Solid forged brass, Teflon bushing

Finish

Polished chrome

Offset

1-1/8" (28.6 mm)

Mounting

Drilled and countersunk for No. 10 (5.0 mm) screws

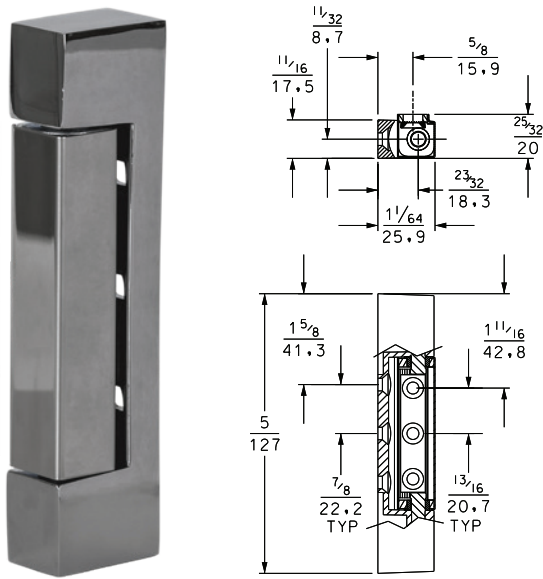
Packaging

24 per carton

Weight

Approx. 31 lb (14.0 kg) per carton

1219 Adjustable Hinge



- Requires minimum jamb width and mounts close to door
- Offset adjusts 1/8" (3.2 mm) in-and-out to compensate for gasket compression as needed
- Easy to adjust by loosening mounting screw and resetting serrated adjustment plate
- Interchangeable for right or left-opening door

Specifications

Material

High pressure, die-cast zinc flange and adjustment plate, brass cover, zinc plated steel strap, nylon bushing, stainless steel cover

Finish

Polished chrome

Adjustment

Range: 1/8" (3.2 mm)

Mounting

Drilled and countersunk for No. 10 (5.0 mm) screws

Load Rating

See Hinge Selector Chart on page 186, Group A

Packaging

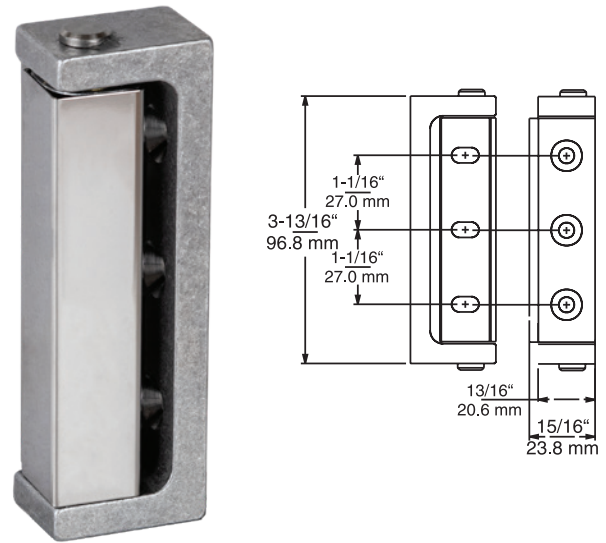
50 per carton

Weight

Approx. 27 lb (12.3 kg) per carton

Part No.	Description	Offset
11219000004	Edgemount Hinge	7/8" (22.02 mm)

0225 Hi-Temp Resistant Hinge



- Ideal for high temperature applications up to 450°F (232°C)
- Anodized finish halts discoloration
- Adjustable to compensate for gasket compression
- Interchangeable with Kason No. 1216 edgemount hinge
- Interchangeable for right or left-opening door

Specifications

Material

Extruded aluminum flange, die-cast zinc adjustment plate, zinc-plated steel strap, stainless steel cover and pins

Finish

Anodized aluminum flange, chrome cover

Adjustment

Range: 3/16" (4.8 mm)

Mounting

Drilled and countersunk for No. 12 (5.5 mm) screws

Load Rating

See Hinge Selector Chart on page 186, Group A

Packaging

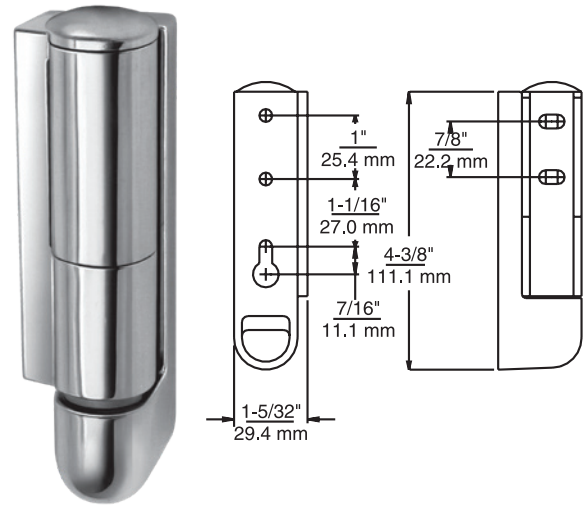
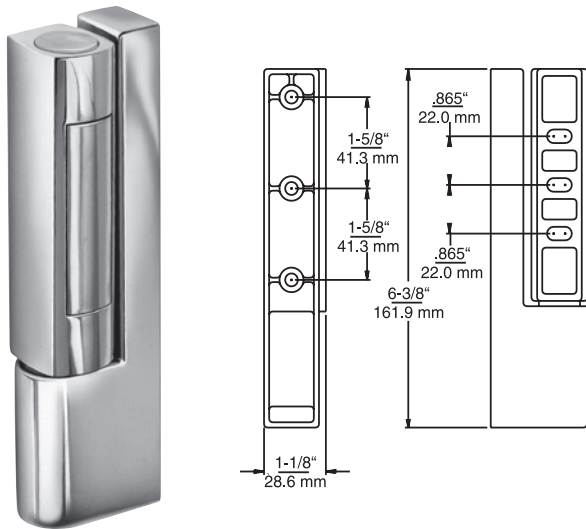
36 per carton

Weight

Approx. 14 lb (6.3 kg) per carton

Part No.	Description	Offset
10225000001	Hinge	1-1/8" (28.6 mm)





© U.S. Trademark 2,349,251

- Self-closing hinge has built-in dwell that holds door open at 93°
- Lift-off feature allows door to be removed with hinges in place
- Adjusts for gasket compression
- Reversible for right or left-opening door

- Built-in dwell holds door open at 93°
- Positive adjustment with 3/16" (4.8 mm) range
- Lift-off strap
- Cam repositions for use on right or left-opening door

Specifications

Material

High pressure, die-cast zinc flange, strap and adjustment plate; stainless steel cover; steel pin

Finish

Polished chrome

Mounting

Flange drilled and countersunk for No. 12 (5.5 mm) flat head screws; strap drilled for No. 12 (5.5 mm) round head screws

Load Rating

See Hinge Selector Chart on page 186, Group A

Packaging

1247: 36 per carton;
1257: 30 per carton

Weight

Approx. 45 lb (20.4 kg) per carton

Part No.	Description	Offset
11247000002	Hinge	1-1/4" to 1-5/8" (31.8 to 41.3 mm)
11247000004	Hinge	1-3/4" to 2-3/8" (44.5 to 60.3 mm)
11257000004	Spring Hinge	1-1/4" to 1-5/8" (31.8 to 41.3 mm)
11257000008	Spring Hinge	1-3/4" to 2-3/8" (44.5 to 60.3 mm)

Specifications

Material

High pressure, die-cast zinc flange, strap and adjustment plate; brass cover; self-lubricating nylon reversible cam; Oilite bearing; stainless steel pin

Finish

Polished chrome

Adjustment

Range: 3/16" (4.8 mm)

Mounting

Drilled and countersunk for No. 10 (5.0 mm) screws

Load Rating

See Hinge Selector Chart on page 186, Group A

Packaging

32 per carton

Weight

Approx. 25 lb (11.6 kg) per carton

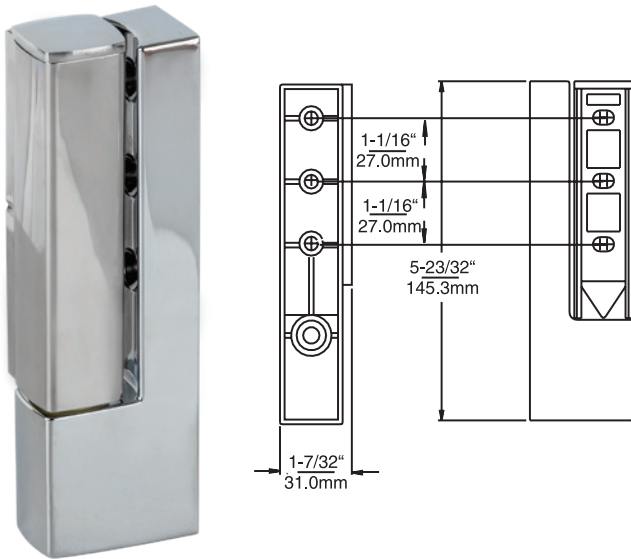
Part No.	Description
10215000004	Hinge



© 2025 Kason Industries, Inc.

0823 LIT 001

1267 Cam-Rise Hinge



- Beautifully designed and proportioned basic hinge is engineered for heavy use and long life
- Self-lubricating Zytel cam allows door to close automatically or to stay open at 98° or 120° depending on model
- Reversible cam for use on right or left-opening door
- Lift-off feature allows door to be removed with hinges in place
- Adjustable to compensate for gasket compression
- Spring-assisted and switch-activated versions available

Specifications

Material

High pressure, die-cast zinc flange, strap and adjustment plate; brass cover

Finish

Polished chrome

Adjustment

Range: 1-5/8" (41.3 mm) to 2-3/8" (60.3 mm)

Mounting

Flange and strap drilled and countersunk for No. 12 (5.5 mm) flat head screws

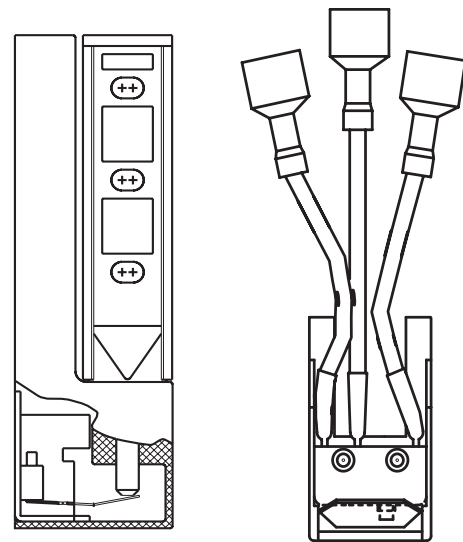
Load Rating

See Hinge Selector Chart on page 186, Group A

Weight

Approx. 38.5 lb (17.5 kg) per carton

1367S Micro Switch



1267 with
Micro Switch

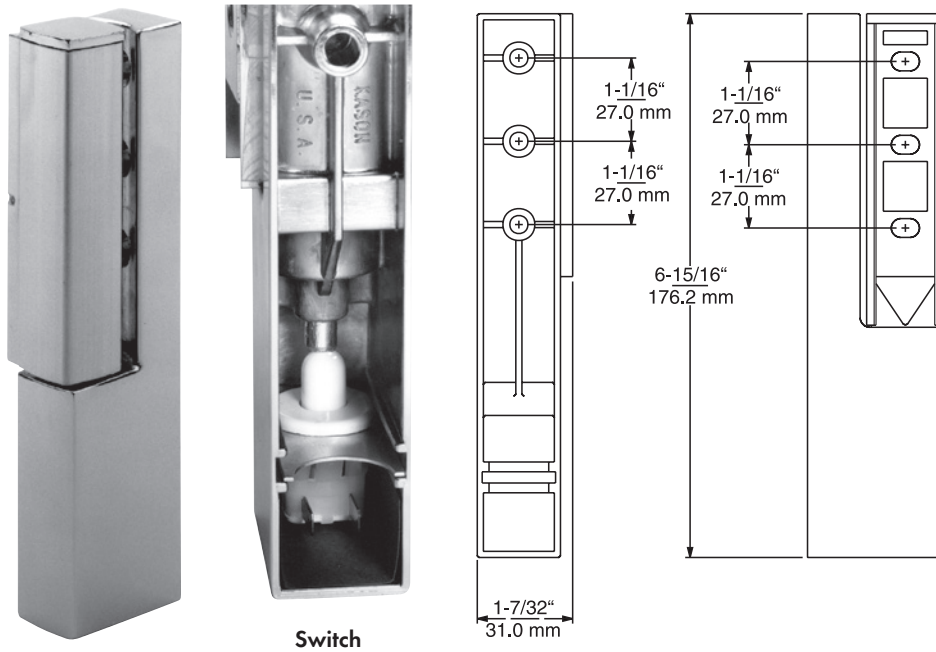
- Compact switch for automatic control of light, fan or other electrical device
- Fits within base of 1267 hinge
- Leads attached for easy installation
- Order hinge and switch separately
- Consult factory for UL Recognized Component certifications

Specifications

Single pole double throw 5 amp at 250 VAC, comes with three leads (N/O and N/C) or two leads (N/C)

Part No.	Description	Qty./ Carton	Wgt./ Carton
11267000014	Hinge 98° Detent	20	55 lb (25 kg)
11267WT0014	Hinge 120° Detent	20	29 lb (13.2 kg)
11268WT0014	Spring 120° Detent	20	18 lb (8.2 kg)
11367S00010	Switch 3 Lead N/C and N/O	100	6 lb (2.7 kg)
11367S00011	Switch 2 Lead N/C	100	55 lb (25 kg)





© U.S. Trademark 7,741,879

Switch

- Time-tested cam-rise action combined with automatic control of light, fan or other electrical device
- Protected, internal switch is operated directly by rise and fall of the hinge strap, assuring foolproof activation
- Self-closing hinge has built-in dwell that holds door open past 90°
- Lift-off feature allows door to be removed with hinges in place
- Simple cam rotation permits use on right or left-opening door
- Adjustable to compensate for gasket compression
- Consult factory for UL Recognized Component certifications

Specifications

Material

High pressure, die-cast zinc flange, strap and adjustment plate; brass cover, nylon cam

Finish

Polished chrome

Adjustment

Range: 3/16" (4.8 mm)

Mounting

Flange and strap drilled and countersunk for No. 12 (5.5 mm) flat head screws

Load Rating

See Hinge Selector Chart on page 186, Group A

Packaging

See order information for component packing

Option

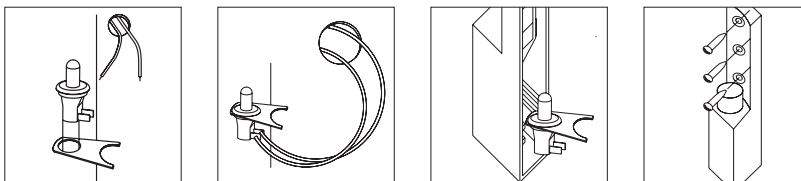
Hinge with 120° dwell

Part No.	Description	Qty./Carton
11267000002	Cam for 1269	100
11267000003	Adjustment Plate for 1269	200
11267000004	Cover for 1269	100
11267000005	Strap for 1269	50
11269000001	Flange	50
11269000007	Single Pole Switch	40
11269000014	Hinge 1-5/8 Chr	40

Specifications (Switch)

Single pole 5 amp at 125 VAC contacts on opening. Switch kit includes stainless steel mounting plate and insulating barrier.

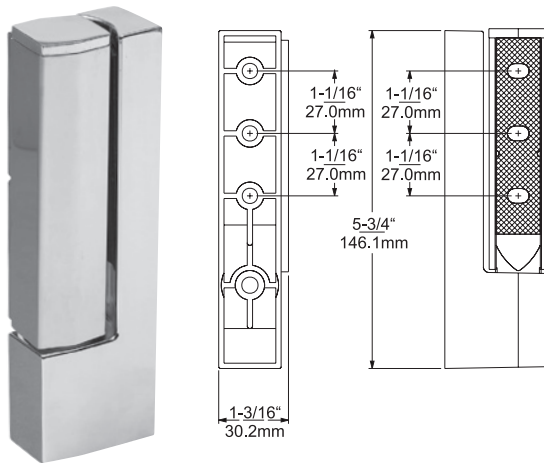
Easy Installation



1. Snap switch into mounting plate.
2. Attach leads from electrical equipment to switch terminals.
3. Slip insulating barrier and switch into flange.
4. Mount flange onto cabinet.



1367R Universal Replacement Cam-Rise Lift-Off Hinge



Specifications

Material

High pressure, die-cast zinc flange, strap and adjustment plate; brass cover

Finish

Polished chrome

Offset

3/16" (4.8 mm)

Adjustment

Range: 1-5/8" to 2-3/8" (41.3 mm to 60.3 mm)

Mounting

Flange and strap drilled and countersunk for No. 12 (5.5 mm) flat head screws

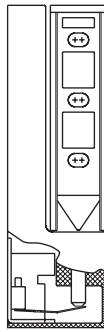
Load Rating

See Hinge Selector Chart on page 186, Group C

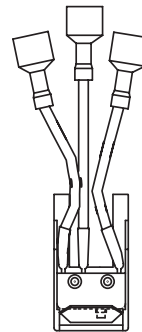
- Fully-assembled, standard mounting hinge
- Self-lubricating Zytel cam allows door to close automatically or to stay open at 120°
- Strap adjustment compensates for gasket compression
- Cam reverses for right or left-hand opening door
- Lift-off feature permits door removal with hinges in place for cleaning or service
- Accepts optional micro switch for automatic control of electrical device

Part No.	Description	Qty./ Carton	Wgt./Carton
11367R00016	Lift-Off Hinge	20	55 lb (25 kg)
11367S00010	Switch 3 Lead N/C and N/O	100	29 lb (13.2 kg)
11367S00011	Switch 2 Lead N/C	100	18 lb (8.2 kg)

1367R/1367S Micro Switch (Optional)



**1367R with
1367S Micro Switch**



**1367S Micro
Switch**

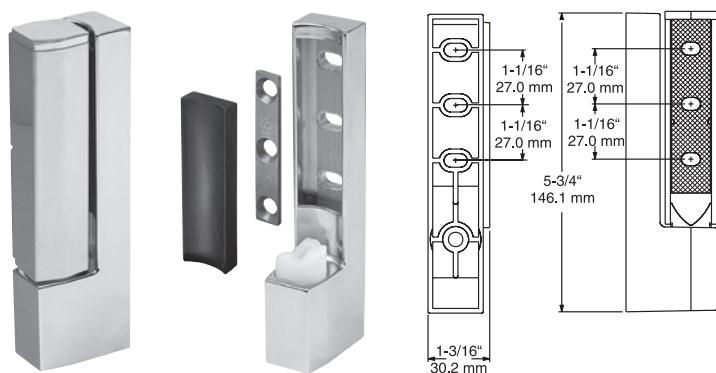
- Compact switch for automatic control of light, fan or other electrical device
- Fits within base of hinge
- Leads attached for easy installation
- Order hinge and switch separately
- Consult factory for UL Recognized Component certifications

Switch Specifications

Single pole 5 Amp at 125 VAC contacts on opening. Switch kit includes stainless steel mounting plate and insulating barrier.



1467R Double Adjustable Cam-Rise Hinge



- Sag-compensating hinge assures correct door alignment the first time, all the time
- Easy flange adjustment positively locks into place after aligning door, so hinge holds firmly in place
- Eliminates floating tapping plates, shims, and twisted hinges
- Traditional strap adjustment compensates for gasket compression
- Interchanges in whole or in part with other suppliers' edgemount, cam-rise hinges
- Reversible for right or left-hand door mounting
- For fan and light control, hinge accepts easy-to-install low maintenance internal micro switch or a traditional plunger for supplied switch

Specifications

Material

High pressure, die-cast zinc flange, strap and adjustment plate; stainless steel cover

Finish

Polished chrome

Adjustment

Range: 1-5/8" to 2-3/8" (41.3 to 60.3 mm)

Offset

3/16" (4.8 mm)

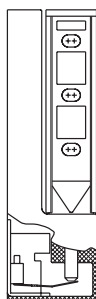
Mounting

Flange and strap drilled and countersunk for No. 12 (5.5 mm) flat head screws

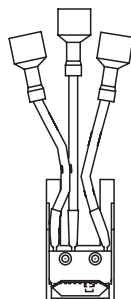
Load Rating

See Hinge Selector Chart on page 186, Group A

1467 Micro Switch (Optional)



1467 with 1367S Micro Switch



1367S Micro Switch

- Compact switch for automatic control of light, fan or other electrical device
- Fits within base of hinge
- Leads attached for easy installation
- Order hinge and switch separately
- Consult factory for UL Recognized Component certifications

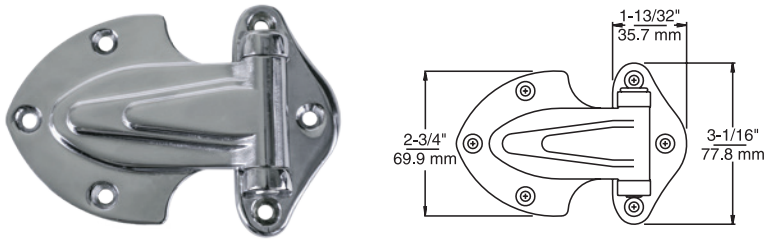
Specifications

Single pole double throw 5 Amps at 250 VAC, comes with three leads (N/O and N/C) or two leads (N/C)

Part No.	Description	Qty./Carton	Wgt./Carton
11467R00014	Complete Hinge	20	55 lb (25 kg)
11467R00001	Flange	50	29 lb (13.2 kg)
11467T00002	Strap Assembly with Tapped Hole	50	18 lb (8.2 kg)
11467000003	Adjustable Plate	100	6 lb (2.7 kg)
11467000004	Cover	100	10 lb (4.5 kg)
11467000005	Cam	100	5 lb (2.3 kg)
11467000006	Flange Plug, Black	100	4 lb (1.8 kg)
11467000006G	Flange Plug, Gray	100	
11367S00010	Switch, 3 Lead N/C and N/O	100	4 lb (1.8 kg)
11367S00011	Switch, 2 Lead N/C	100	4 lb (1.8 kg)
11467000007	Activator Pin For Side Switch (Switch Supplied By Customer)	1000	



0139 Narrow Flange Hinge



- Classic styling for small service doors
- Rugged design withstands hard use
- Reversible for right or left hand by removing pin

Part No.	Description	Offset
10139000004	Hinge	Flush (0 mm)
10139000032	Hinge	7/8" (22.2 mm)
10139000040	Hinge	1-1/8" (28.6 mm)

Specifications

Material

High pressure, die-cast zinc; stainless steel pin

Finish

Polished chrome

Mounting

Drilled and countersunk for No. 8 (4.0 mm) screws

Load Rating

See Hinge Selector Chart, Group A

Packaging

24 per carton

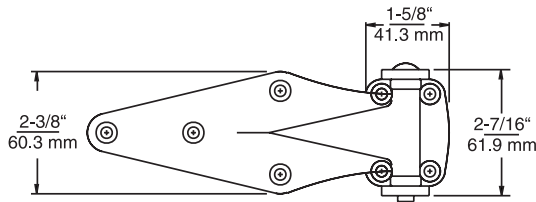
Weight

Approx. 12 lb (5.4 kg) per carton

1061 Steel Hinge/1061BB Ball Bearing Hinge



© U.S. Trademark
5,923,906



- Equipped with nylon throughst washers
- Reversible for right or left hand by removing pin and bearings
- 1061 BB features all metal ball bearing washers for high temperature applications. Other specifications same as 1061

Specifications

Material

Steel

Finish

Kasonized

Mounting

Drilled and countersunk for No. 10 (5.0 mm) screws

Load Rating

See Hinge Selector Chart on page 186, Group C

Packaging

25 per carton

Weight

Approx. 34 lb (15.5 kg) per carton

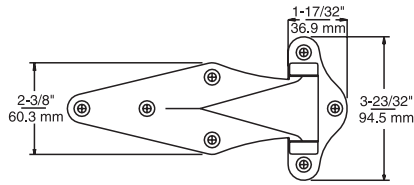
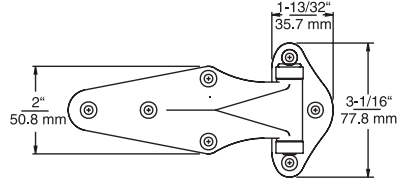
Part No.	Description	Offset
11061000004	Steel Hinge	Flush (0 mm)
11061000012	Steel Hinge, R.H.	Flush (0 mm)
11061000013	Steel Hinge, L.H.	Flush (0 mm)
11061000036	Steel Hinge	1-1/8" (28.6 mm)
11061BB0004	Ball Bearing Hinge	Flush (0 mm)
11061BB0036	Ball Bearing Hinge	1-1/8" (28.6 mm)



1070/1071 Narrow Flange Hinges



© U.S. Trademark
5,923,906



- Workhorse hinges in two sizes
- High strength with stainless steel through pin
- Supplied as right hand. Reversible by removing pin and washer and reassembling on opposite sides of strap

Specifications

Material

High pressure die-cast zinc, stainless steel pin

Finish

Polished chrome

1070

Mounting

Drilled and countersunk for No. 8 (4.0 mm) screws

Load Rating

See Hinge Selector Chart on page 186, Group A

Packaging

24 per carton

Weight

Approx. 12 lb (5.5 kg) per carton

1071

Mounting

Drilled and countersunk for No. 10 (5.0 mm) screws

Load Rating

See Hinge Selector Chart on page 186, Group B

Packaging

24 per carton

Weight

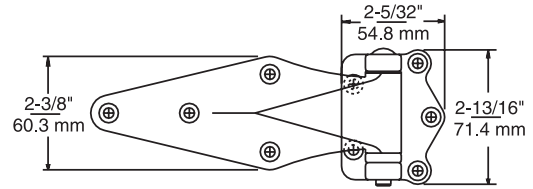
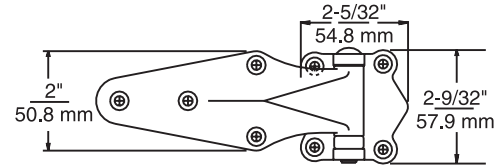
Approx. 21 lb (9.5 kg) per carton

Part No.	Description	Offset
11070000004	Hinge, R.H.	Flush (0 mm)
11070000007	Hinge, L.H.	Flush (0 mm)
11070000032	Hinge	7/8" (22.2 mm)
11070000040	Hinge	1-1/8" (28.6 mm)
11071000032	Hinge	7/8" (22.2 mm)
11071000040	Hinge	1-1/8" (28.6 mm)

1070A/1071A Nylon Bearing Hinges



© U.S. Trademark
5,923,906



- Nylon bearing washers provide smooth door swing and long life
- High strength with stainless steel through pin
- Supplied as right hand. Reversible by removing pin and washer and reassembling on opposite sides of strap

Specifications

Material

High pressure die-cast zinc, stainless steel pin

Finish

Polished chrome

1070A

Mounting

Drilled and countersunk for No. 8 (4.0 mm) screws

Load Rating

See Hinge Selector Chart on page 186, Group B

Packaging

24 per carton

Weight

Approx. 15 lb (6.8 kg) per carton

1071A

Mounting

Drilled and countersunk for No. 10 (5.0 mm) screws

Load Rating

See Hinge Selector Chart on page 186, Group C

Packaging

24 per carton

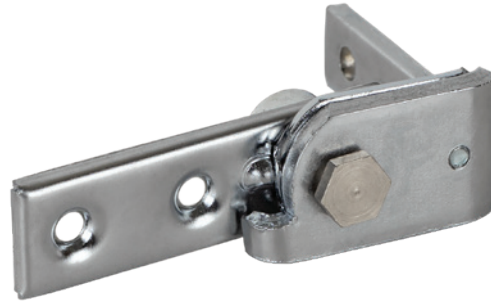
Weight

Approx. 23 lb (10.5 kg) per carton

Part No.	Description	Offset
11070A00016	Nylon Bearing Hinge	7/8" (22.2 mm)
11070A00024	Nylon Bearing Hinge	1-1/8" (28.6 mm)
11071A00036	Nylon Bearing Hinge	7/8" (22.2 mm)
11071A00044	Nylon Bearing Hinge	1-1/8" (28.6 mm)



1521/1522 Pivot Hinges



1521



1522

- Pivot hinges for reach-in and pass-through doors
- Smooth, self-closing operation
- Dwell stop holds door open at 105° as long as required
- For doors with minimum 1-3/4" (44.5 mm) offset
- Top and bottom assemblies have identical hole sizes and spacing
- Use standard, pre-punched door pans for right or left installation
- Adjustable spring tension cartridge installs in 3/4" (19.0 mm) diameter round opening

Part No.	Description	Qty./ Carton	Wgt./ Carton
11522L00004	Top Left Hand Hinge	50	30 lb (13.6 kg)
11522R00008	Top Right Hand Hinge	50	30 lb (13.6 kg)
11521L00004	Bottom Left Hand Hinge	50	21 lb (9.5 kg)
11521R00008	Bottom Right Hand Hinge	50	21 lb (9.5 kg)

Specifications

Material

Heavy gauge steel; high pressure die-cast zinc cartridge

Finish

Chrome

Offset

1-3/8" (39.9 mm)

Load Rating

See Hinge Selector Chart on page 186, Group B

1521 Bottom Hinge

Features dwell stop. Use with No. 1522 top hinge

Mounting

Spring cartridge drilled and countersunk and pivot flange drilled for No. 10 (5.0 mm) screws

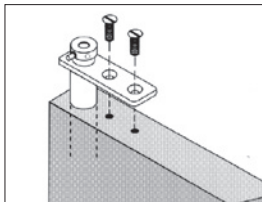
1522 Top Hinge

Houses self-closing spring assembly. Use with No. 1521 bottom hinge

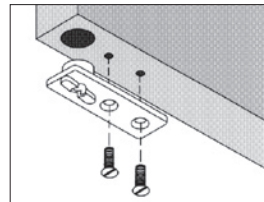
Mounting

Bottom plate drilled and countersunk and pivot flange drilled for No. 10 (5.0 mm) screws

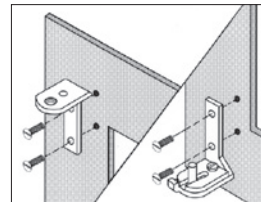
Easy Mounting



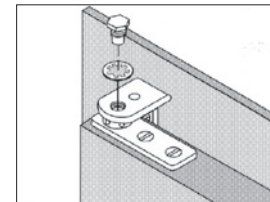
1. Fasten spring assembly to top door.



2. Fasten bottom plate to bottom of door.



3. Fasten hinge bracket to frame.



4. Place door between hinge brackets and secure with hinge pins.



1556-304



1556-308



- Concealed spring hinges for non-rise full face doors
- New design features solid steel shaft, which provides increased strength and long term durability. Will last longer than any other comparable concealed spring hinge currently offered
- High tech Polymer cam reduces wear due to friction and extends life of cams
- 2 to 3 times more door open cycles than any other comparable concealed spring hinges currently offered
- Hinge supplied with close out caps that snap on top of cartridge. Close caps eliminate issues with liquid foam infiltration through the top of cartridge
- Built in dwell keeps door open beyond 110°
- Stop hinges feature cushioning action at about 140° which protects against over-opening doors and prevents damage to door frame or adjacent equipment
- Doors close fully with self-closing, non-rise spring actuated cam action
- Self-lubricating for long maintenance free smooth operation
- Versatile, reversible cartridge assembly can be used for either right or left opening doors
- Quiet operation
- 2-year limited warranty, longest warranty available in marketplace

1556 Power Cartridge Assemblies

1556-304

Standard clearance, approx. 140° stop. Heavy spring.

1556-308

Minimal clearance, no stop. Light spring.

Order cartridges and brackets separately.

Cartridge Specifications

Material

Die-cast Zamak case, acetal upper cam
Nylon lower cam and pivot bearing

Finish

Chrome plated

Spring

Compression type music wire

Closing Force @ 45°:

Heavy: 36 in.-lb (4N • M)

Light: 27 in.-lb (3N • M)

Mounting

Countersunk for No. 10 (5.0 mm) screws

Load Rating

See Hinge Selector Chart on page 186, Group B

Packaging

48 per carton

Weight

Approx. 25 lb (11.3 kg) per carton

Bracket Specifications

Material

High strength steel

Finish

Zinc plated

Mounting

Slotted for 1/4" (6.4 mm) screws

Packing

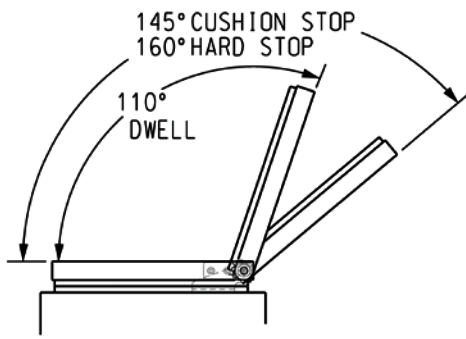
24 per carton

Weight

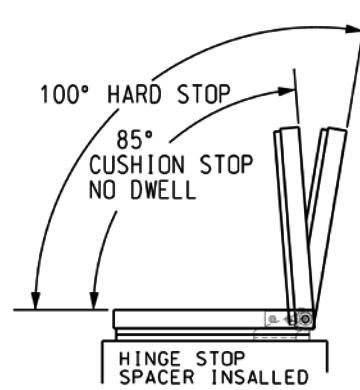
8 lb (3.6 kg)

Part No.	Description
11556000304	Cartridge Assembly, 120° Stop, Heavy Spring, Chrome
11556000308	Cartridge Assembly, No Stop, Light Spring, Chrome
11556000313	Assembly, 90° Stop, No End Tap, Heavy Spring for Universal Kit, Chrome
11556000314	Assembly, 90° Stop, No End Tap, Light Spring for Universal Kit, Chrome



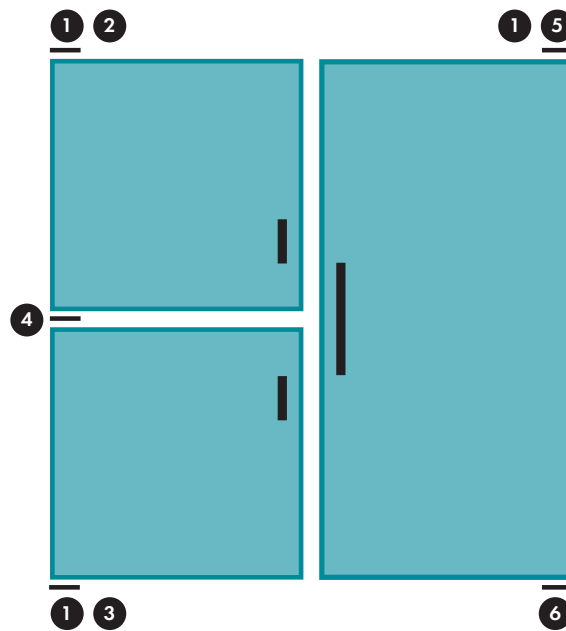


Dwell to No Spacer



Dwell to with Spacer

How to Select Kason 1556 Series Power Cartridges and Brackets



Installation

- Cartridge and pivot bearing install easily; require a 7/8" (22.2 mm) square opening in top and bottom of door
- Brackets are available for a variety of fabrication requirements
- Standard brackets shown on following page
- Custom brackets can be designed to suit your specific installation

Assembly with Horizontal Brackets

1. Cartridge Assembly
2. Top Cartridge Bracket, LH
3. Bottom Cartridge Bracket, LH
4. Double Pivot Bracket, LH
5. Top Cartridge Bracket, RH
6. Bottom Pivot Bracket, RH

1556-12 Top Right



1556-14 Bottom Right



1556-22 Top Right



1556-24 Bottom Right



1556-36 Double Bottom Right



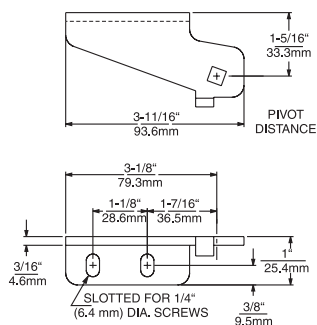
1556-202F Stop Flange (Right Hand)



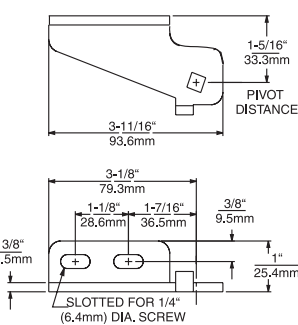
1556-203F Pivot Flange Center (Right Hand)



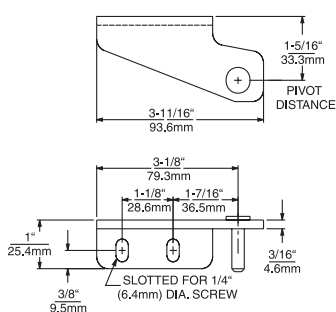
1556-204F Pivot Flange (Right Hand)



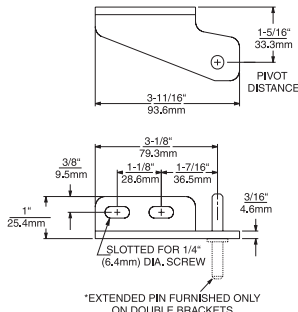
1556-12



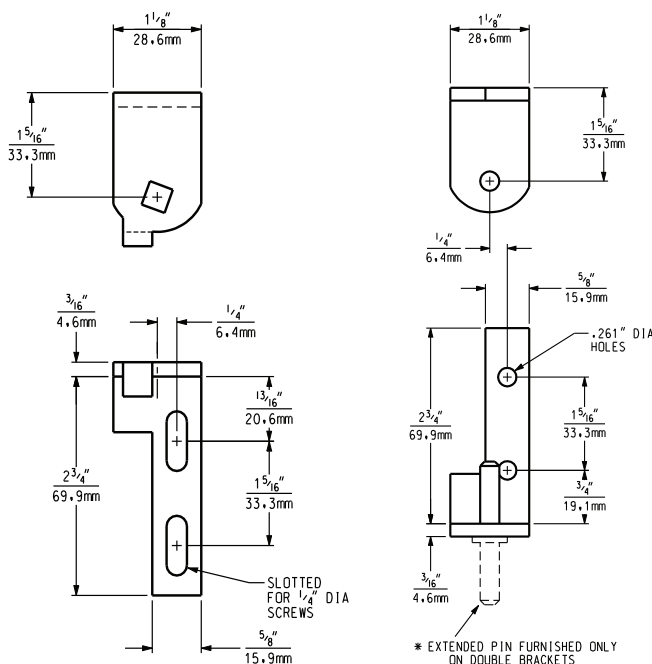
1556-14



1556-22



1556-24/36



1556-202F

1556-203F/204F

* EXTENDED PIN FURNISHED ONLY ON DOUBLE BRACKETS

© 2025 Kason Industries, Inc.
0823 LIT 001

Type	Product Number	Product Name	Abbreviated Name	Dwell	Cushion Stop	Hard Stop	Torque
Power Cartridge	11556000308	Cartridge Assembly, No Stop, Light Spring	1556-308	110°	None	None	27" lb @ 45°
Loose Parts	90153230110025	Lockwasher, #12, Type B, Int. Size					
Loose Parts	9001419F110312	Screw, 10-32X5/16 thd, Ps, Ma, Sz					
Loose Parts	91556004390117	Bearing, 0.292 Hole					
Power Cartridge	11556000304	Cartridge Assembly, Stop, Heavy Spring	1556-304	110°	145°	160°	36" lb @ 45°
Loose Parts	90153230110025	Lockwasher, #12, Type B, Int. Size					
Loose Parts	9001419F110312	Screw, 10-32X5/16 Thd, Ps, Ma, Sz					
Loose Parts	91556004400117	Bearing, High 0.292 Hole, 0.26" Shoulder					
Loose Parts	91556002560117	Washer, Ø0.75 OD 0.49Ø ID (QM2)					
Loose Parts	91556001620167	Spring, Torsion, Omega					
Loose Parts	115560SP304	Bulk Small Parts Hardware Pack, 304					
Loose Parts	115560SP306	Bulk Small Parts Hardware Pack, 306					
Loose Parts	15560SP308	Bulk Small Parts Hardware Pack, 308					
Stop (Accessory for 1556-304)	11556003030035K	Hinge Stop, 60°	1556-303-35K	None	85°	100°	36" lb @ 45°

Type	Product Number	Product Name	Type
Bracket	11556000011	Flange, Stop Top, Chrome, Left Hand	Horizontal
Bracket	11556000012	Flange, Stop Top, Chrome, Right Hand	Horizontal
Bracket	11556000013	Flange, Stop, Bottom, Chrome, Left Hand	Horizontal
Bracket	11556000014	Flange, Stop, Bottom, Chrome, Right Hand	Horizontal
Bracket	11556000021	Flange, Pivot Top, Chrome, Left Hand	Horizontal
Bracket	11556000022	Flange, Pivot Top, Chrome, Right Hand	Horizontal
Bracket	11556000023	Flange, Pivot Bottom, Chrome, Left Hand	Horizontal
Bracket	11556000024	Flange, Pivot Bottom, Chrome, Right Hand	Horizontal
Bracket	11556000035	Flange, Double Pivot, Chrome, Left Hand	Horizontal
Bracket	11556000036	Flange, Double Pivot, Chrome, Right Hand	Horizontal
Bracket	11556000051	Flange, No Stop, Top, Chrome, Left Hand	Horizontal
Bracket	11556000052	Flange, No Stop, Top, Chrome, Right Hand	Horizontal
Bracket	11556000060/70	Universal Hinge Bracket Kit	Horizontal
Bracket	11556000064	Stop Kit	
Bracket	11556000201F	Flange, Stop, Chrome, Left Hand	Vertical
Bracket	11556000202F	Flange, Stop, Chrome, Right Hand	Vertical
Bracket	11556000203F	Pivot Flange, Center, Chrome, Right Hand	Vertical
Bracket	11556000204F	Pivot Flange, Chrome, Right Hand	Vertical
Bracket	11556000205F	Pivot Flange, Chrome, Left Hand	Vertical
Bracket	11556000213F	Pivot Flange, Center, Chrome, Left Hand	Vertical

1510 Hinge



Mounts upper left or lower right

1530 Hinge



Mounts upper left or lower right

1511 Hinge

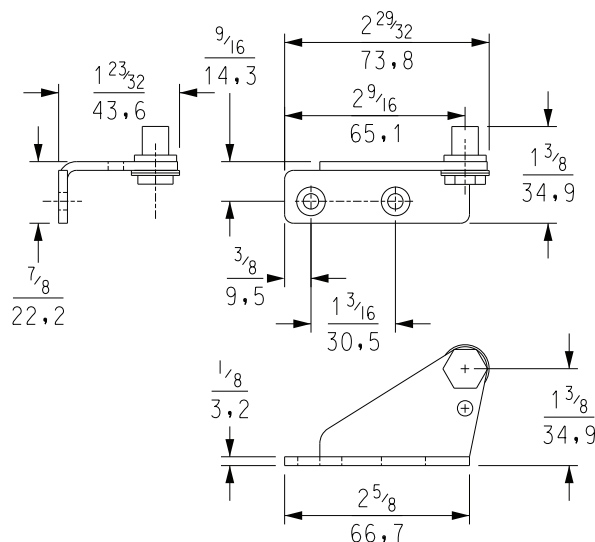
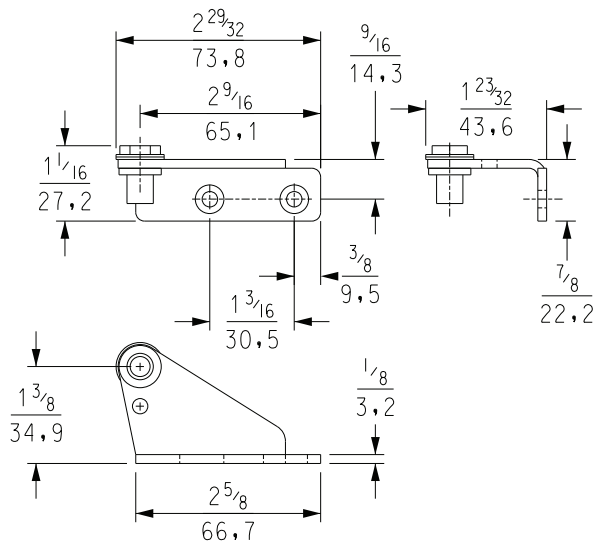


Mounts upper right or lower left

1531 Hinge



Mounts upper right or lower left



- For use on reach-in and pass-through cabinet doors for almost any hinged door application
- Fully interchangeable. Use in combination with each other or with any other Kason horizontal face-mounted hinges

Part No.	Description
1151000004	Pivot Hinge, Upper Left or Lower Right
1151100004	Pivot Hinge, Upper Right or Lower Left
1153000004	Pivot Hinge, Upper Left or Lower Right
1153100004	Pivot Hinge, Upper Right or Lower Left

Specifications

Material

Heavy gauge steel; Oilite bearing

Finish

Heavy-duty chrome plate

Mounting

Drilled and countersunk for No. 10 (5.0 mm) screws

Load Rating

See Hinge Selector Chart on page 186, Group B

Packaging

100 per carton

Weight

Approx. 17 lb (7.7 kg) per carton



© 2025 Kason Industries, Inc.
0823 LIT 001

1512/1513/1532/1533 Horizontal Face Mounted Pivot Hinges

1512 Hinge



Mounts upper left or lower right

1532 Hinge



Mounts upper left or lower right

1513 Hinge

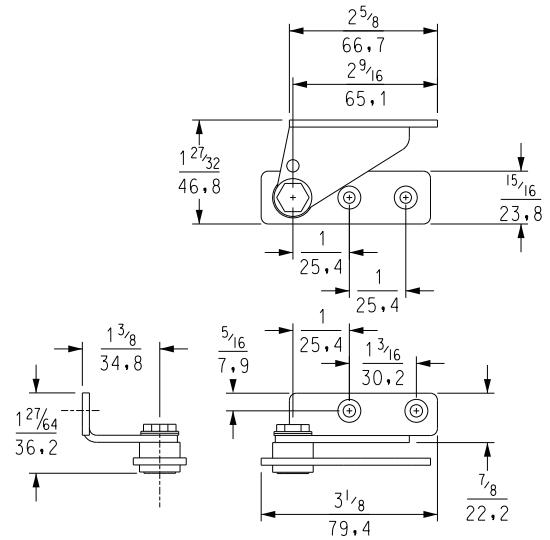
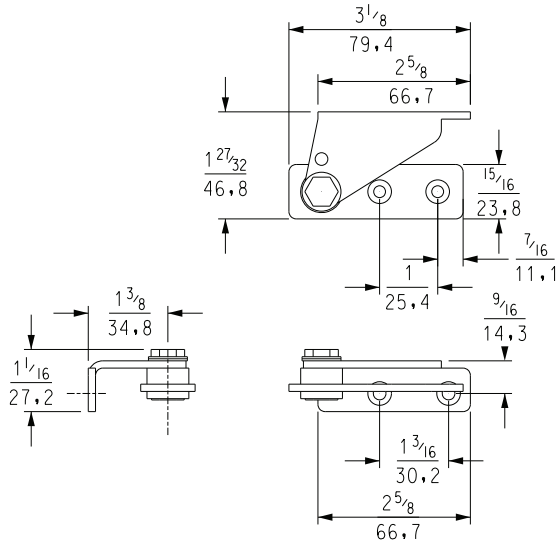


Mounts upper right or lower left

1533 Hinge



Mounts upper right or lower left



- Use on reach-in and pass-through doors for almost any application
- Fully interchangeable. Use in combination with each other or with any Kason horizontal face-mounted pivot hinges

Part No.	Description
11512000004	Pivot Hinge, Upper Left or Lower Right
11513000004	Pivot Hinge, Upper Right or Lower Left
11532000004	Pivot Hinge, Upper Left or Lower Right
11533000004	Pivot Hinge, Upper Right or Lower Left

Specifications

Material

Heavy gauge steel

Finish

Heavy-duty chrome plate

Mounting

Drilled and countersunk for No. 10 (5.0 mm) screws

Load Rating

See Hinge Selector Chart on page 186, Group B

Packaging

50 per carton

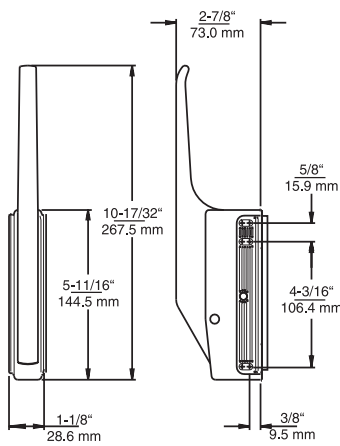
Weight

Approx. 18 lb (8.2 kg) per carton

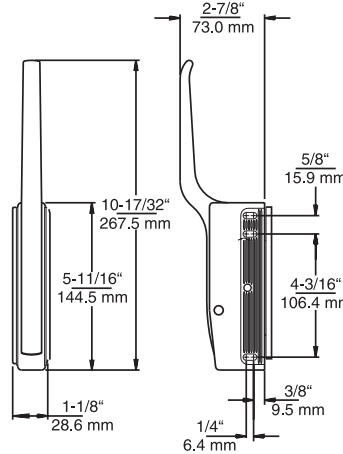




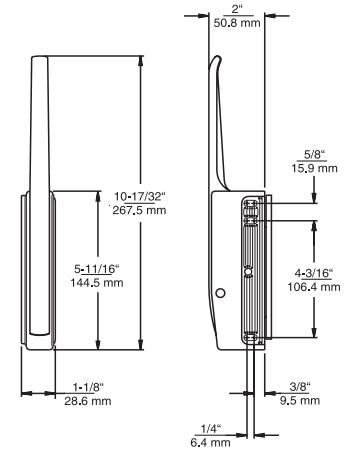
© U.S. Trademark 5,760,310
U.S. Patent 11,261,627



0170 Composite Offset Handle



0170 Die-Cast Offset



0170 Straight Die-Cast or Composite

- Satisfies NSF standards for all applications
- Four handle styles
- High strength magnetic force keeps door closed and accommodates variations in cabinet construction
- Kason 'breaker action' quickly releases magnet for fast door opening
- Adjustable latch body compensates for gasket wear
- Not affected by door sag

PathoGuard™ treated antimicrobial handles available. Contact your Kason representative.

Part No.	Handle	Magnet	Qty./ Carton	Weight/ Carton
10170000008	Offset Composite, Black	Standard	12	27 lb (12.3 kg)
10170000018	Offset Composite, Black	Ceramic	12	27 lb (12.3 kg)
10170S00004	Straight Die-cast, Pol. Chrome	Standard	12	27 lb (12.3 kg)
10170S00014	Straight Die-cast, Pol. Chrome	Ceramic	12	27 lb (12.3 kg)
10170S00008	Straight Composite, Black	Standard	12	27 lb (12.3 kg)
10170S00018	Straight Composite, Black	Ceramic	12	27 lb (12.3 kg)
10170B00024	Offset, Die-cast, Pol. Chrome	Standard	12	34 lb (15.3 kg)
10170B00034	Offset, Die-cast, Pol. Chrome	Ceramic	12	34 lb (15.3 kg)

Specifications

Material

High pressure die-cast zinc body and adjustment plate; zinc die-cast or glass reinforced composite handle; steel strike with nylon spacer

Finish

Polished chrome latch body; black composite or polished chrome handle

Mounting

Latch is edge mounted; strike is surface mounted. Drilled and countersunk for No. 10 (5.0 mm) screws

Handle Styles

Straight, offset

Standard Magnet

Nitile material; holding force approx. 50 lb (222 N)

Optional Ceramic Magnet

Holding force of 100 lb (445 N); Recommended for temperature applications above 280°F (138.8°C) or where greater holding power is required



0171 Series Magnetic Latches



© U.S. Trademark 2,319,965
U.S. Patent 11,261,627

- Versatile family offers multiple choices for heated and refrigerated applications
- Four handle styles in locking and non-locking models
- Powerful magnetic force assures positive, air-tight door closure
- Kason 'breaker action' quickly releases magnet for fast door opening
- Two-way adjustment adapts latch for changing door alignment
- Adjustable latch body compensates for gasket wear
- Strike adjusts vertically to accommodate door sag on locking models
- Fast installation

PathoGuard™ treated antimicrobial handles available. Contact your Kason representative.



0171 Cylinder



0171 Knob

Specifications

Material

High pressure die-cast zinc body and adjustment plate; zinc die-cast or glass reinforced composite handle; one piece steel strike

Finish

Polished chrome latch body; black composite or polished chrome handle

Mounting

Latch is edge mounted; strike is surface mounted. Drilled and countersunk for No. 10 (5.0 mm) screws

Handle Styles

Offset, straight, straight with vinyl sleeve

Lock Selection

Key cylinder lock or knob turn. Non-cylinder latches can be converted to cylinder locking. Cylinder locks may be keyed alike or differently; 4 key changes available; please specify (11, 13, 14, 16)

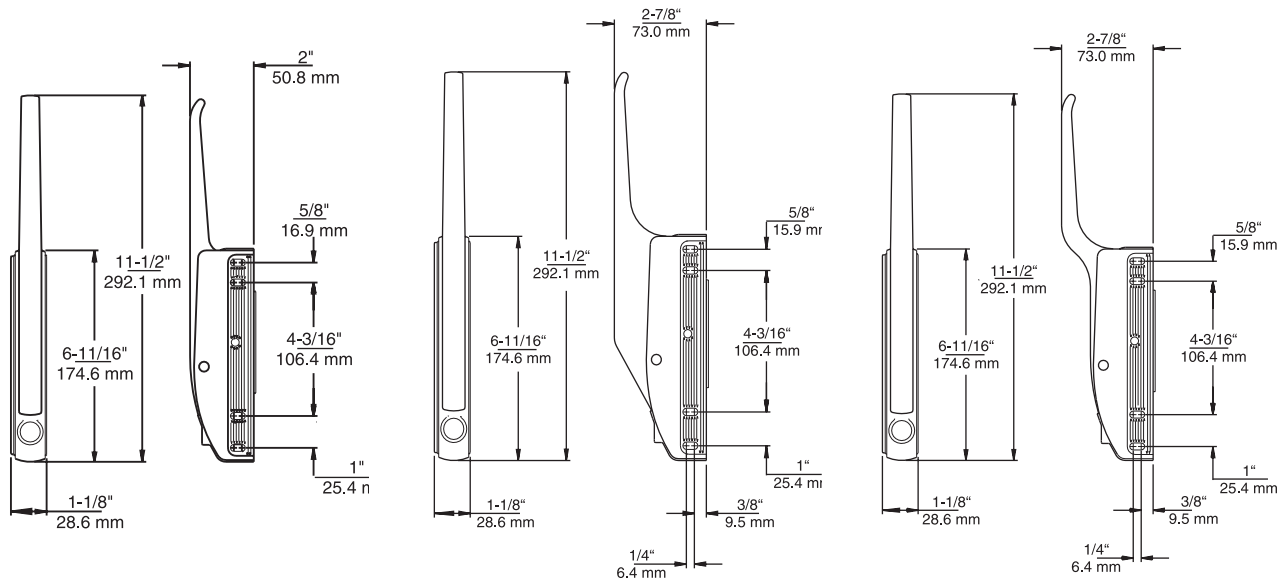
Standard Magnet

Nitile material; holding force approx. 50 lb (222.0 N)

Ceramic Magnet

Holding force of approximately 100 lb (445.0 N); Recommended for temperature applications above 280°F (138.8°C) or where greater holding power is required





0171 Straight Die-cast or Composite Handle

0171 Composite Offset Handle

0171 Die-Cast Offset Handle

Part No.	Handle	Lock	Magnet	Qty./Carton	Wgt./Carton
10171000004	Straight Die-cast, Pol. Chrome	*	Standard	12	39 lb (17.7 kg)
10171000014	Straight Die-cast, Pol. Chrome	*	Ceramic	12	39 lb (17.7 kg)
10171C00004	Straight Die-cast, Pol. Chrome	Cylinder	Standard	12	39 lb (17.7 kg)
10171B00008	Offset Composite, Black	*	Standard	12	31.8 lb (14.4 kg)
10171B00018	Offset Composite, Black	*	Ceramic	12	31.8 lb (14.4 kg)
10171B00024	Offset Die-cast, Pol. Chrome	*	Standard	12	39 lb (17.7 kg)
10171B00034	Offset Die-cast, Pol. Chrome	*	Ceramic	12	39 lb (17.7 kg)
10171S00008	Straight Composite, Black	*	Standard	12	31.8 lb (14.4 kg)
10171S00018	Straight Composite, Black	*	Ceramic	12	31.8 lb (14.4 kg)
10171BC00008	Offset Composite, Black	Cylinder	Standard	12	31.8 lb (14.4 kg)
10171BC00018	Offset Composite, Black	Cylinder	Ceramic	12	31.8 lb (14.4 kg)
10171BC00024	Offset Die-cast, Pol. Chrome	Cylinder	Standard	12	39 lb (17.7 kg)
10171BC00034	Offset Die-cast, Pol. Chrome	Cylinder	Ceramic	12	39 lb (17.7 kg)
10171SC00008	Straight Composite, Black	Cylinder	Standard	12	31.8 lb (14.4 kg)
10171SC00018	Straight Composite, Black	Cylinder	Ceramic	12	31.8 lb (14.4 kg)
10171BK00008	Offset Composite, Black	Turn Knob	Standard	12	31.8 lb (14.4 kg)
10171BK00018	Offset Composite, Black	Turn Knob	Ceramic	12	31.8 lb (14.4 kg)
90171CM0004	Cylinder Kit for 0171 and 0171B				

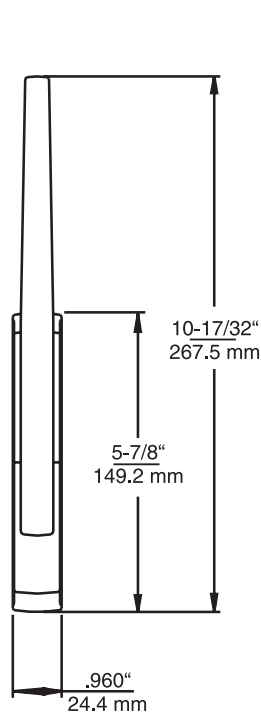
*Can be converted to cylinder locking with 90171CM0004 Cylinder Kit. Cylinder locks may be keyed alike or differently; 4 key changes available; please specify



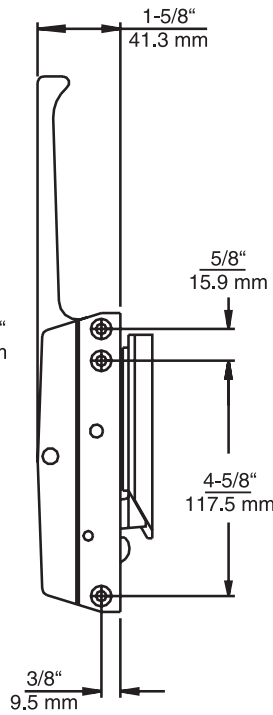
0172 Magnetic Mechanical Latch



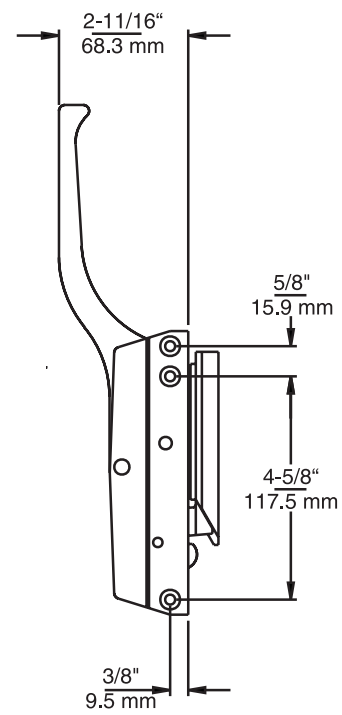
© U.S. Trademark 5,923,932



172 Straight



172B Offset



- Magnetic force combined with mechanical latching provide the ultimate in positive door closure and sealing
- Latch releases with ease
- Mechanical latching with cylinder lock offers positive security
- Keeps door shut even when adjacent doors are slammed
- Two-way strike adjustment compensates for door-sag and gasket wear
- Unique design of strike ensures full magnetic attraction at each adjustment

Part No.	Handle	Lock
10172000006	Straight	None
10172B00006	Offset	None
10172C00006	Straight	Cylinder
10172BC0006	Offset	Cylinder
90172CM0004		Cylinder Kit for 172

Cylinder locks may be keyed alike or differently;
5 key changes available; please specify
Models available with heat-resistant, vinyl sleeve.

Specifications

Material

High pressure die-cast zinc body, handle and strike

Finish

Polished Chrome

Mounting

Latch is edge mounted; strike is surface mounted.
Drilled and countersunk for No. 10 (5.0 mm) screws

Handle Styles

Straight, offset

Lock Selection

Cylinder or non-cylinder locking

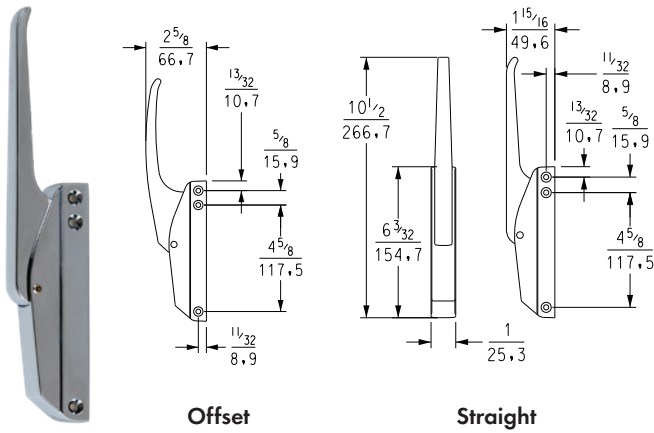
Packing

12 per carton

Weight

25 lb (11.4 kg) per carton





© U.S. Trademark 5,923,930; 5,923,933

- Positive latching keeps door shut tight; guards against pop-opens
- Finger-tip touch opening
- Cylinder locking and non-locking models
- Two-way adjustment compensates for door sag and gasket wear
- Use with all standard gaskets for economical installation
- Compact size fits most units

Part No.	Description
10173000004	Straight Handle, Non-Locking
10173B00004	Offset Handle, Non-Locking
10173C00004	Straight Handle, Cylinder Lock
10173BC0004	Offset Handle, Cylinder Lock
10174000004	Straight Handle, Non-Locking
10174B00004	Offset Handle, Non-Locking
10174B00014	Hi-Temp Latch Brass Roller, Offset Handle with Plastic Sleeve
10174C00004	Straight Handle, Cylinder Lock
10174B00004	Offset Handle, Cylinder Lock
90174C00012	Cylinder Kit for 0173, 0174, and 0176

Cylinder locks may be keyed alike or differently. Five key changes available; Please specify. Models available with heat-resistant vinyl sleeve.

Specifications

Material

High pressure die-cast zinc body and handle, die-cast and steel strike

Finish

Polished Chrome

Mounting

Latch is edge mounted; strikes are surface mounted.

Drilled and countersunk for No. 10 (5.0 mm) screws

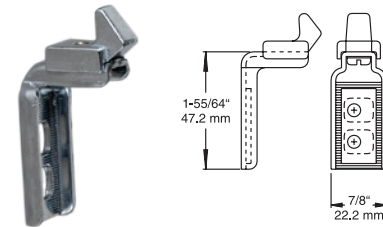
Packaging

12 per carton

Weight

17 lb (7.7 kg) per carton

0173 Universal



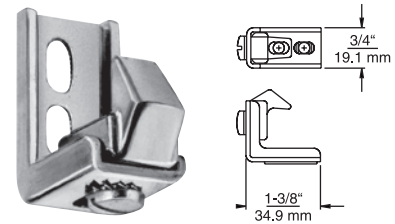
Latch with universal strike replaces competitive latch.

Strike Adjustment Range: $9/32$ " to $19/32$ " (7.1 to 15.1 mm)

Mounting

Strike drilled for No. 10 (5.0 mm) screws

0174 Standard



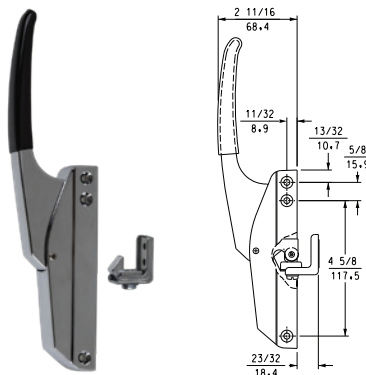
Standard 0174 Strike included with 0174 Latch.

Strike Adjustment Range: $13/32$ " to $23/32$ " (10.3 to 18.3 mm)

Mounting

Strike drilled for No. 10 (5.0 mm) screws

0174B-14 Oven Latch



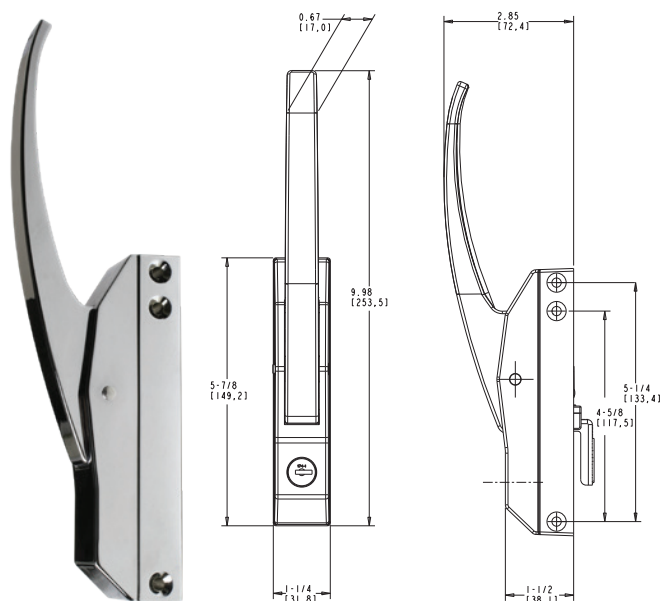
Oven latch with all the benefits of popular Kason No. 0174 edgmount latch, plus these added features:

- Heat-resistant brass roller
- Cool-touch handle with plastic sleeve
- Complements Kason No. 1216-31 Hi-Temp brass oven hinge

Strike Adjustment Range

$13/32$ " to $23/32$ " (10 mm to 18 mm)

0177 Edgemount Mechanical Latches



- Large footprint latch
- Zero handle movement on door closing
- All cylinder or non-cylinder model latch with simplistic internal function
- Chrome Latch with Black Composite Heat Resistant Handle and brass roller for oven application (Optional)
- No drill fixture modification required
- Slotted hex screw fastener eases strike adjustment
- Bolt up retro-fit replacement for user's of Kason Model 0174 Latch and Strike
- No pinch point handle for improved safety, protects against employee injury
- Long term dependable service reduces maintenance cost

Part No.	Description
10177BC0004	Latch, Chrome, Cylinder Model
10177B00004	Latch, Chrome, Non-Cylinder Model
10177BCP004	Latch, Chrome, Composite Handle, Cylinder Model
10177BP0004	Latch, Chrome, Composite Handle, Non-Cylinder Model
10177BP0014	Latch, Chrome, Composite Handle, Brass Roller, Non Cylinder Model

All models come standard with universal and standard strike assemblies for easy retrofit.

0177 Strike Assemblies

Universal



Strike Adjustment Range
9/16" to 1" (14.3 to 25.4 mm)

Standard



Strike Adjustment Range
21/32" to 1-3/32" (16.7 to 27.8 mm)

Specifications

Material

High pressure die-cast zinc body and handle, die-cast and steel strike. Composite handle available

Finish

Polished Chrome

Mounting

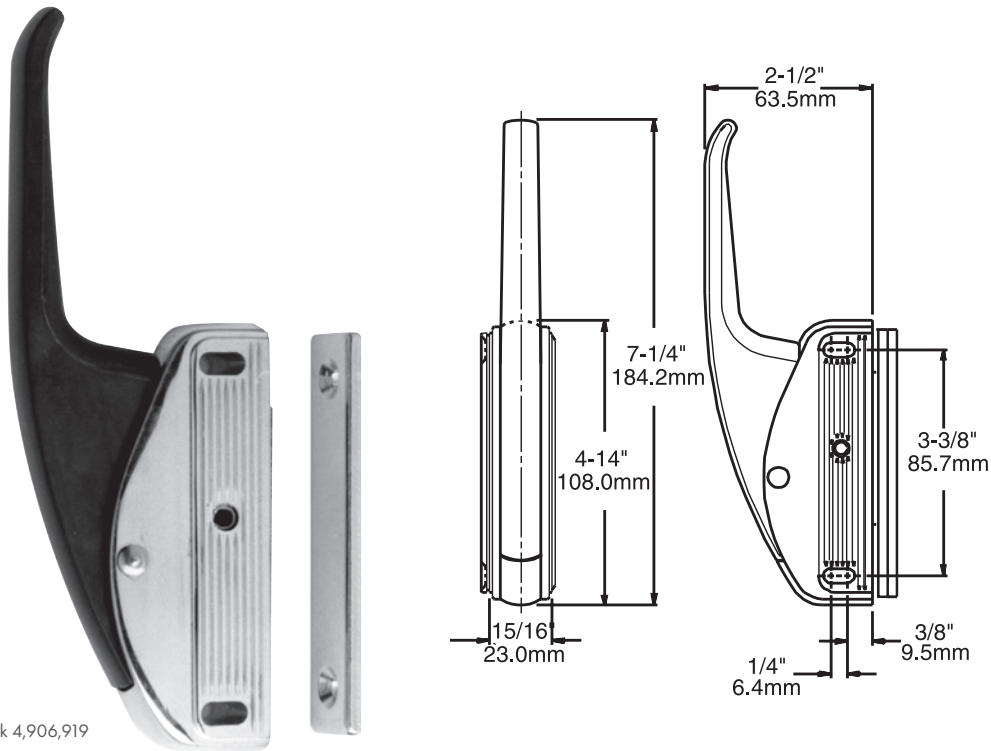
Latch is edge mounted; strikes are surface mounted. Drilled and countersunk for No. 10 (5.0 mm) screws

Packing

12 per carton

Weight

Approx. 20 lb (9.09 kg) per carton



© U.S. Trademark 4,906,919

- Compact size for smaller heated cabinets where space is limited
- Non-heat conducting composite, offset handle
- Kason’s time-tested magnetic latching system
- Breaker action releases magnet for easy opening
- Operates smoothly with handle mounted up or down
- Not affected by door sag
- Use on right or left-opening doors

PathoGuard™ treated antimicrobial handles available. Contact your Kason representative.

Part No.	Description	Magnet
10544000004	Latch	Standard
10544000014	Latch	Ceramic

Specifications

Material

High pressure die-cast zinc body; glass reinforced composite handle; steel strike

Finish

Polished chrome latch body, chrome strike; black composite handle

Mounting

Latch is edge mounted; strike is surface mounted. Drilled and countersunk for No. 10 (5.0 mm) flat head screws

Standard Magnet

Chemical-resistant Nitile – holding force approx. 40 lb (178 N)

Optional Hi-Temp Magnet

Ceramic – holding force of 80 lb (356 N). Recommended for temperature applications above 280°F (138.8°C) or where greater holding power is required

Packing

12 per carton

Weight

21 lb (9.5 kg) per carton



0533D/0538 Edgemount Mechanical Latches

0533D



© U.S. Trademark 2,590,113

- Smooth-operating trigger-action latches
- Kason patented two-way adjustable microturn strike adjusts to compensate for gasket compression and door sag
- Positive closure with little force
- Easy release

PathoGuard™ treated antimicrobial handles available. Contact your Kason representative.

Specifications

Material

High pressure die-cast zinc body, handle and strike; brass tongue

Finish

Polished Chrome

Mounting

Drilled and countersunk for No. 10 (5.0 mm) screws

Specifications (0533D)

Packing

12 per carton

Weight

Approx. 18 lb (802 kg) per carton

Specifications (0538)

Available with cylinder lock or with removable plug for cylinder lock

Packing

12 per carton

Weight

Approx. 21 lb (9.5 kg) per carton

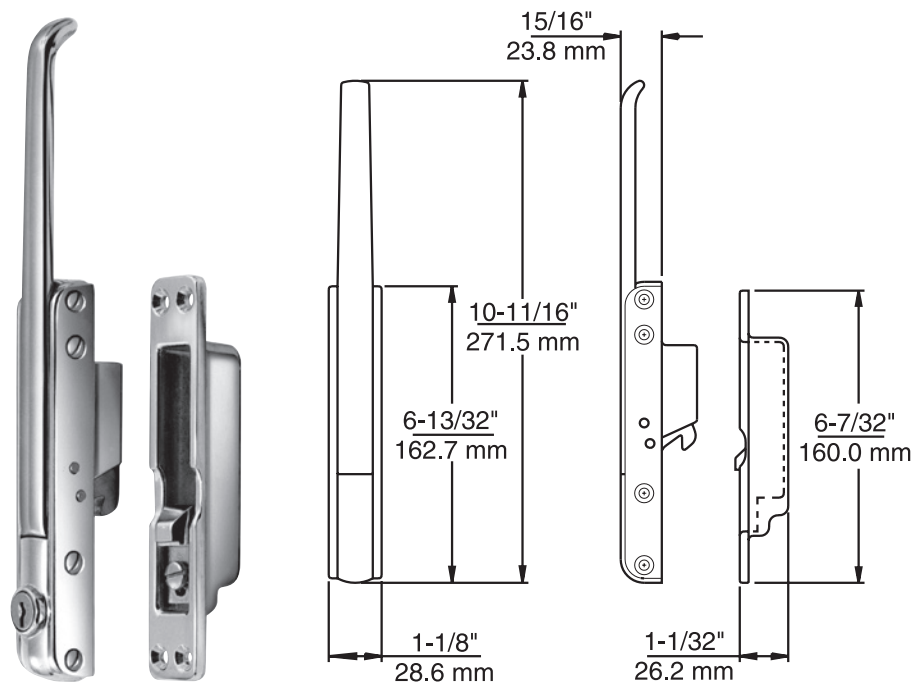
Part No.	Description	Lock
10533D00004	Latch	Padlocking
10538000004	Latch	Padlocking
10538C00004	Latch	Cylinder
10533D00024	Strike for 0533D, 0538 and 0538C	
90538CM0004	Cylinder Kit for 0538	

Cylinder locks may be keyed alike or differently. 5 key changes available; please specify.

Models available with heat-resistant, vinyl sleeve.

0538





- Slim, strong flush mounting latch. Two-way adjustable strike
- Easy closing with positive mechanical seal
- Easy release
- Straight or offset handle
- Locking or non-locking models

Part No.	Description	Handle	Lock
10531000004	Latch	Straight	None
10531B00004	Latch	Offset	None
10531C00004	Latch	Straight	Cylinder
10531BC0004	Latch	Offset	Cylinder
90531CM0004	Cylinder Kit for 0531C and 0531BC		

Cylinder locks may be keyed alike or differently;
5 key changes available; please specify.

Specifications

Material

High pressure die-cast zinc body and strike housing; brass handle, strike insert and tongue

Finish

Polished chrome

Mounting

Drilled and countersunk for No. 10 (5.0 mm) screws

Packaging

12 per carton complete with strikes

Weight

Approx. 22 lb (10 kg) per carton

0930 Series Trigger Action Latches



- Dependable, time-tested trigger action latch
- Select one of six strikes to customize your application
- Adjustable strikes feature either Kason's micrometer or micro-turn strike for hairline fine adjustments
- Interchangeable for right or left-opening doors
- Standard padlocking feature

Specifications

Material

High pressure die-cast zinc body; solid brass tongue

Finish

Polished chrome

Mounting


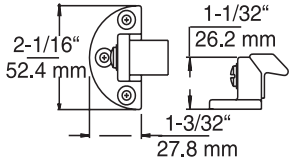

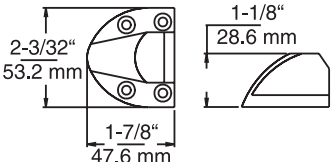

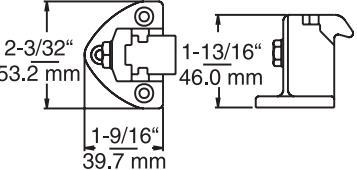

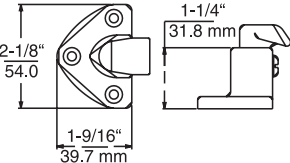

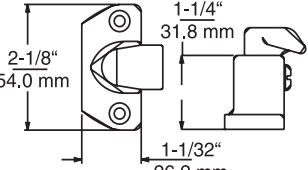

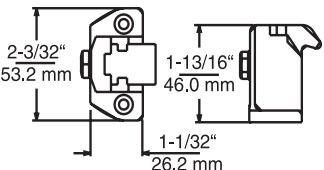
Drilled and countersunk for No. 8 (4.0 mm) screws

Packaging

10 per carton complete with strikes

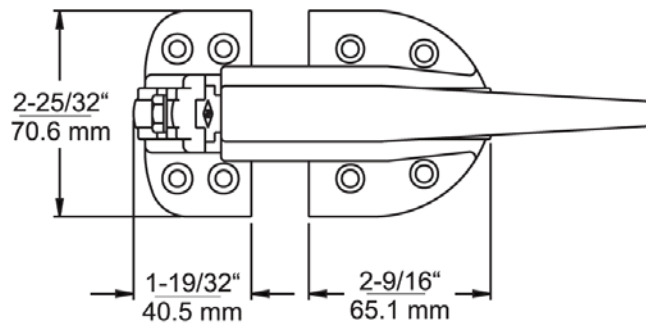
Weight

Approx. 14 lb (6.4 kg) per carton

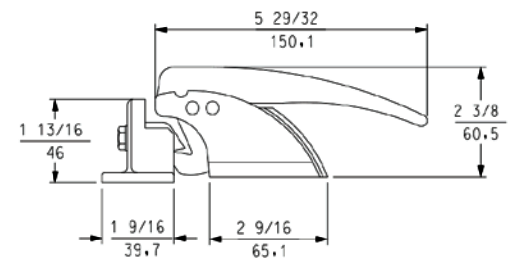
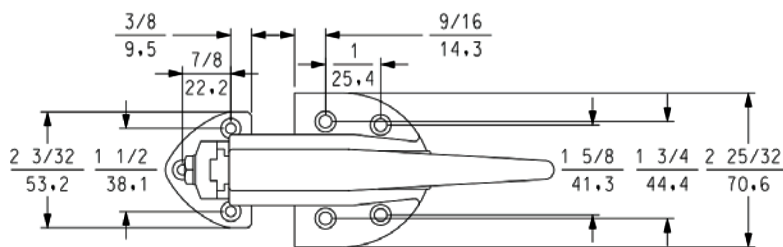
Part No.	Description	Offset		
10930A00004	Latch Adjustable Strike A	Flush to 3/8" (0 to 9.5 mm)		
10930B00004	Latch Stationary Strike B	1/4" (6 to 4 mm)		
10930C00004	Latch 3-hole microturn Strike C	3/4" to 1-1/4" (19.9 to 31.8 mm)		
10930D00004	Latch 3-hole microturn Strike D	7/8" to 1-1/4" (22.2 to 31.8 mm)		
10930E00004	Latch 2-hole microturn Strike E	7/8" to 1-1/4" (22.2 to 31.8 mm)		
10930F00004	Latch 2-hole microturn Strike F	3/4" to 1-1/4" (19.9 to 31.8 mm)		

0930 latch body and strikes may be ordered separately; for complete model numbers, consult a Kason representative.

0931-08 / 0931-12



0931-4 / 0931AX-4



- Enlarged version of popular Kason No. 0930, for large reach-in doors
- Includes patented micrometer strike for hairline-fine adjustments

Part No.	Description	Offset
10931000004	Latch, 3 Hole Mounting Strike	Flush to 1/8" (0 to 3.2 mm)
10931000008	Latch, 4 Hole Mounting Strike	7/8" to 1-1/8" (22.2 to 28.6 mm)
10931000012	Latch, 4 Hole Mounting Strike	1-1/8" to 1-3/8" (28.6 to 34.9 mm)

Specifications

Material

High pressure die-cast zinc body; brass tongue and strike insert

Finish

Polished chrome

Mounting

Drilled and countersunk for No. 10 (5.0 mm) screws

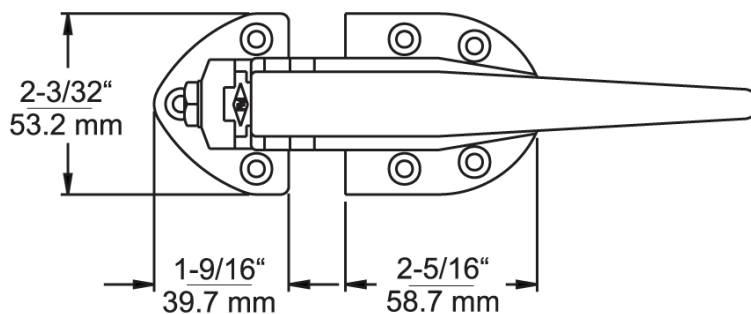
Packaging

6 per carton complete with strikes

Weight

Approx. 13 lb (5.9 kg) per carton

0930X Trigger Action Latch



- Factory Mutual test rated to release at force of 91.5 lb (407 N)
- Installs on right or left-opening door

Part No.	Description	Offset
10930AX0004	Venting Latch	Flush to 1/4" (0 to 6.4 mm)
10930CX0004	Venting Latch	7/8" to 1-1/8" (22.6 to 28.6 mm)

Specifications

Material

High pressure die-cast zinc body, handle and strike housing; extruded brass tongue and strike insert

Finish

Polished chrome

Mounting

Drilled and countersunk for No. 8 (4.0 mm) screws

Packaging

10 per carton

Weight

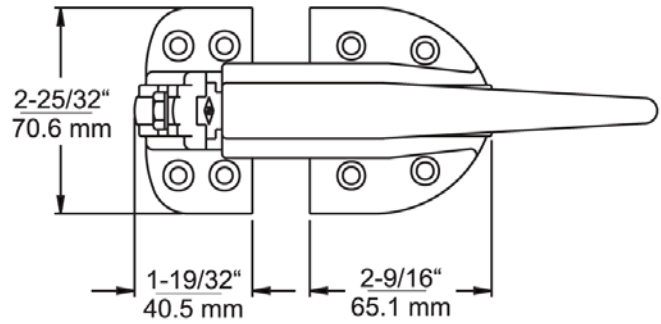
Approx. 13.8 lb (6.2 kg) per carton

Warning:

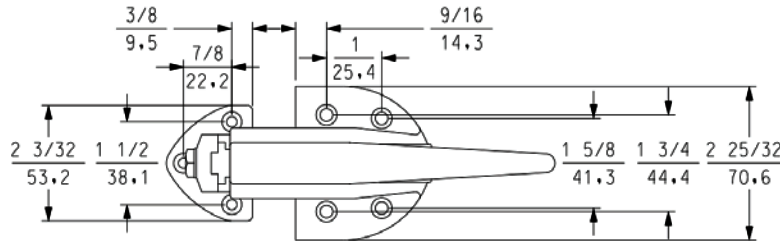
Explosion venting latches are intended to release at designated pressures to protect the enclosures on which they are mounted. Users must determine safe pressure levels for their specific applications. Because installations and environmental conditions vary, regular maintenance and latch function checks are necessary to assure proper operation.



0931 CX / 0931 HX



0931 AX



- Factory Mutual test rated to release at force of 42 lb (187 N)
- Installs on right or left-opening door

Part No.	Description	Offset
10931AX0004	Venting Latch, 3 Hole Mounting Strike	Flush to 1/4" (0 to 6.4 mm)
10931CX0004	Venting Latch, 4 Hole Mounting Strike	7/8" to 1-1/8" (22.6 to 28.6 mm)
10931HX0004	Venting Latch, 4 Hole Mounting Strike	1-1/8" to 1-3/8" (28.6 to 34.9 mm)

Specifications

Material

High pressure die-cast zinc body, handle and strike housing; extruded brass tongue and strike insert

Finish

Polished chrome

Mounting

Drilled and countersunk for No. 10 (5.0 mm) screws

Packaging

6 per carton

Weight

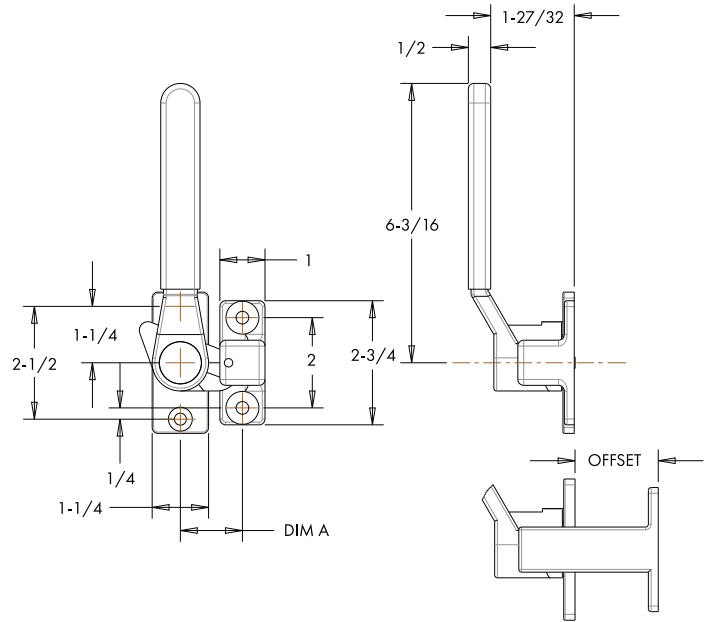
Approx. 12 lb (5.4 kg) per carton

Warning:

Explosion venting latches are intended to release at designated pressures to protect the enclosures on which they are mounted. Users must determine safe pressure levels for their specific applications. Because installations and environmental conditions vary, regular maintenance and latch function checks are necessary to assure proper operation.



0812 Cam Action Latch



- High luster polished chrome zinc handle and strike for use on heated cabinets where high gasket compression is required
- Positive action cam up design assures tight gasket seal and promotes ease of opening under varying temperatures
- Easy-grip handle sleeve of high temperature resistant vinyl keeps handle cool for safe operation
- Multiple offsets available
- Meets NSF/ANSI Standard 2 for food equipment

Specifications

Material

Cast Zamak #12 alloy handle, strike and base; stainless steel pin

Finish

Polished chrome

Offset

Flush, 1-27/32" (46.8 mm)

Mounting

Handle drilled and countersunk and strike drilled for 1/4" (6.0 mm) screws

Packaging

12 per carton

Part No.	Description	Dim. A	Offset	Wgt./Carton
10812000002	Oven Cam Latch, Chrome	1-3/8"	1-27/32" (46.8 mm)	24.2 lb (11 kg)
10812000004	Oven Cam Latch, Chrome	1-3/8"	Flush (0.0 mm)	18.4 lb (8.3 kg)
10812000006	Oven Cam Latch, Wide, Chrome	1-5/8"	Flush (0.0 mm)	18.6 lb (8.4 kg)





- Adjustable shelf support for coolers, freezers, dry storage
- Sturdy and sanitary
- Accepts 0066, 0067, and 0068 shelf clips

- Sanitary standard for removable shelving
- Keyhole slots accept quick-mounting 0065MS studs
- Accepts 0066, 0067, and 0068 shelf clips

Specifications

Material

Aluminum or stainless steel

Width

13/16" (20.6 mm)

Adjustments

Slotted for 1/2" (12.7 mm) adjustments

Mounting

Drilled and countersunk for No. 5 (3.0 mm) screws or pop rivets

Specifications

Material

Aluminum or stainless steel

Width

13/16" (20.6 mm)

Adjustments

Slotted for 1/2" (12.7 mm) adjustments

Mounting

Mount with No. 65MS studs and pop rivets or No. 10 (5.0 mm) screws. Custom sizes available. Minimum order quantities apply

Length	60 Aluminum Part No.	65 Aluminum Part No.	Quantity/ Carton	Weight/ Carton	60 Stainless Steel Part No.	65 Stainless Steel Part No.	Quantity/ Carton	Weight/ Carton
36" (91.4 cm)	10060007036	10065007036	100	15 lb (6.8 kg)	10060009036	10065009036	100	29 lb (13.2 kg)
48" (122.0 cm)	10060007048	10065007048	100	20 lb (9.1 kg)	10060009048	10065009048	100	38 lb (17.2 kg)
60" (152.4 cm)	10060007060	10065007060	100	25 lb (11.3 kg)	10060009060	10065009060	100	47 lb (21.3 kg)
72" (189.9 cm)	10060007072	10065007072	100	30 lb (13.6 kg)	10060009072	10065009072	100	57 lb (25.9 kg)

Custom lengths available upon request



0065MS



0066



0067



0068*

0065MS Mounting Stud

Brass mounting stud for use with No. 0065 pilaster. Fasten with 1/8" (3.2 mm) pop rivet or No. 5 (3.0 mm) screws.

Part No.	Description	Qty/ Carton	Weight/ Carton
10065000000	Nickel Plated Brass Mounting Stud for 65 Pilaster	10,000	28 lb (12.7 kg)
10066000004	Shelf Support, Kasonized Steel	1000	38 lb (15.4 kg)
10066000008	Shelf Support, Stainless Steel	1000	38 lb (15.4 kg)
10067000004	Shelf Support, Kasonized Steel	1000	38 lb (15.4 kg)
10067000008	Shelf Support, Stainless Steel	1000	38 lb (15.4 kg)
10068000008	Shelf Support, Stainless Steel	1000	38 lb (15.4 kg)

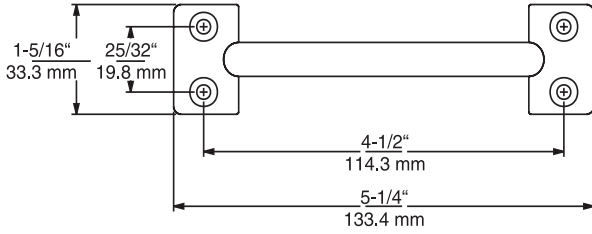
Pop rivets for use with No. 65 mounting stud.

Shelf Supports

- Removable shelving supports for use with Kason 13/16" (20.6 mm) wide pilasters. Mount quickly and hold securely
- Supports designed to hold 75 lb (34 kg) each, assuming pilasters are mounted with adequate support structure



0381 Die-Cast Handle



Specifications

Material

High pressure die-cast zinc with polished chrome finish

Mounting Holes

Drilled and countersunk for No. 8 (4.0 mm) screws

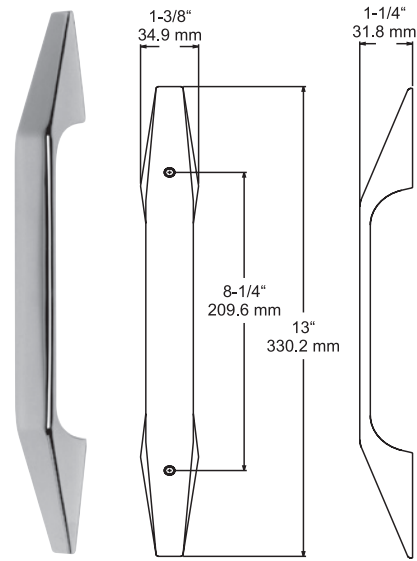
Packaging

100 per carton

Weight

23 lb (10.4 kg)

0902 Heavy-Duty Handle



- Snag-resistant tapered design deflects blows and bumps
- Elegant sculpted handles are highly polished chrome
- Solid die-cast zinc construction for strength and endurance
- Easily interchanges with popular handles

Specifications

Material

High pressure die-cast zinc

Finish

Polished chrome or satin chrome

Mounting Holes

Rear mounting holes tapped for 1/4-20 screws

Packaging

20 per carton

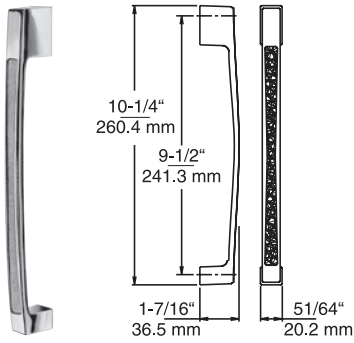
Weight

24 lb (10.9 kg) per carton

Part No.	Description
1090200004	HD Pull Handle, Polished Chrome
1090200008	HD Pull Handle, Satin Chrome



0906 Compact Rear Mount Handle



- Classic pull handles in two sizes
- Front or rear-mounting models available
- Solid die-cast zinc construction for strength and endurance
- Easily interchangeable with other popular handles

Part No.	Description
10906E00004	Rear Mounted Handle
10907005000	Front Mounted Handle
10910000004	Rear Mounted Handle
10911000004	Front Mounted Handle

Specifications

Material

High pressure die-cast zinc

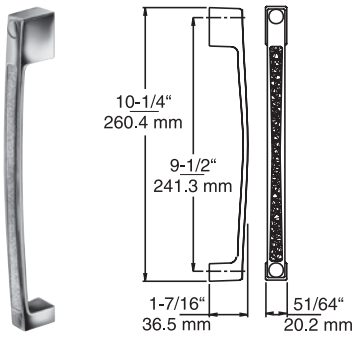
Finish

Polished chrome

Mounting Holes

Rear mounting holes tapped for 1/4-20 screws. Front mounting holes drilled for No. 10 (5.0 mm) screws

0907 Compact Front Mount Handle



Specifications (0906)

Packaging

50 per carton

Weight

28 lb (12.7 kg) per carton

Specifications (0907)

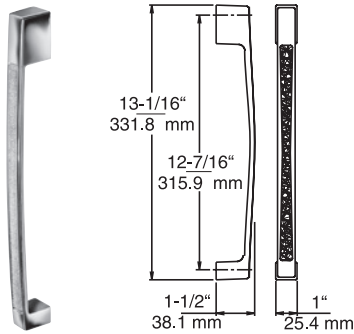
Packaging

50 per carton

Weight

25 lb (11.3 kg) per carton

0910 Customizer Rear Mount Handle



Specifications (0910)

Packaging

24 per carton

Weight

24 lb (10.9 kg) per carton

Specifications (0911)

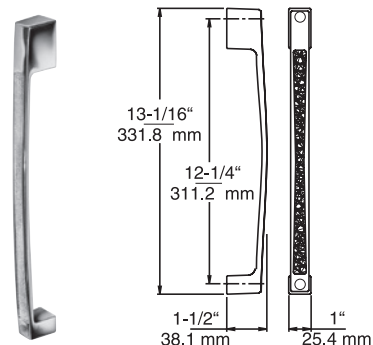
Packaging

20 per carton

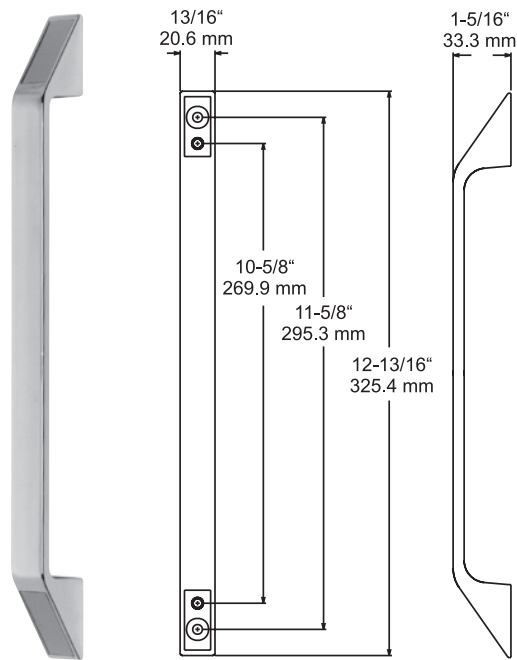
Weight

24 lb (10.9 kg) per carton

0911 Customizer Front Mount Handle



0912 Designer Handle



- Mounts front or rear. Silver or black decal inserts are available to cover front mounting holes
- Elegant sculpted handles are highly polished chrome
- Solid die-cast zinc construction for strength and endurance
- Easily interchanges with popular handles

Specifications

Material

High pressure die-cast zinc

Finish

Polished chrome or satin chrome

Mounting Holes

Rear mounting holes tapped for 1/4-20 screws

Weight

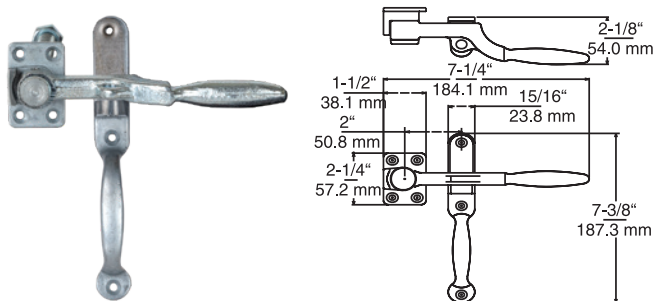
14 lb (6.8 kg) per carton

Part No.	Description	Qty./ Carton
10912000002	Silver Decal for 0912	100
10912000003	Black Decal for 0912 (Special Order)	100
10912000004	Pull Handle, Polished Chrome	50
1091200000425C*	Handle Back Mount, Polished Chrome	50

Model 0912-425C available for back mount only; has smooth front and requires no decals



0877 Padlocking Pull Handle/ 0879 Padlocking Pull Handle Stub



0877

7" threaded through-rod accepts No. 0893 inside release handle.

0879

Similar to No. 0877 without threaded through-rod. Offsets from flush to 1/4" (0.0 to 6.4 mm) have 5/8" (15.9 mm) protruding boss.

Specifications (0877/0879/0878/0879H)

Material/Finish

Chrome plated brass or Kasonized iron lever handle and keeper; high pressure die-cast zinc offset blocks and pull handle

Mounting

Drilled and countersunk for No. 10 (5.0 mm) screws.
Rod for 0877 and 0878: 9/16" (14.3 mm) diameter

0878 Padlocking Pull Handle/0879H Wedge Type



0878

7" threaded through-rod accepts No. 0893 inside release handle.

0879H Wedge Type

Similar to No. 0878 without threaded through-rod. Offsets from flush to 1/4" (0.0 to 6.4 mm) have 5/8" (15.9 mm) protruding boss.

0893 Inside Release Handle



For use with No. 0877 and 0878 levers.

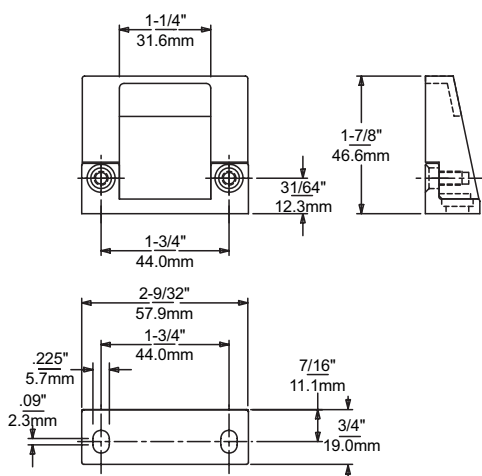
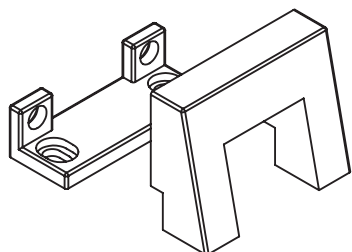
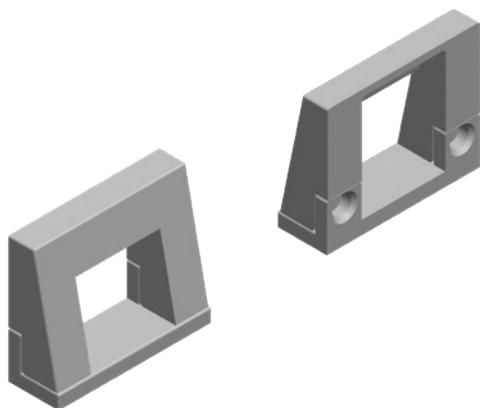
Specifications

Material/Finish

Zinc plate

Part No.	Description	Offset	Finish	Qty./ Carton	Wgt./ Carton
10877000004	Pull Handle Iron Lever	Flush	Kasonized	12	24.6 lb (11.2 kg)
10877000028	Pull Handle Iron Lever	1-1/8" (28.6 mm)	Kasonized	12	24.6 lb (11.2 kg)
10877000032	Pull Handle Brass Lever	Flush	Chrome	12	24.6 lb (11.2 kg)
10877000056	Pull Handle Brass Lever	1-1/8" (28.6 mm)	Chrome	12	24.6 lb (11.2 kg)
10878000004	Wedge Type Iron Lever	Flush	Kasonized	12	22 lb (10.0 kg)
10878000028	Wedge Type Iron Lever	1-1/8" (28.6 mm)	Kasonized	12	22 lb (10.0 kg)
10878000032	Wedge Type Brass Lever	Flush	Chrome	12	22 lb (10.0 kg)
10878000056	Wedge Type Brass Lever	1-1/8" (28.6 mm)	Chrome	12	22 lb (10.0 kg)
10879000004	Pull Handle Iron Stub	Flush	Kasonized	6	12.3 lb (5.6 kg)
10879000028	Pull Handle Iron Stub	1-1/8" (28.6 mm)	Kasonized	6	12.3 lb (5.6 kg)
10879000032	Pull Handle Brass Stub	Flush	Chrome	6	12.3 lb (5.6 kg)
10879000056	Pull Handle Brass Stub	1-1/8" (28.6 mm)	Chrome	6	12.3 lb (5.6 kg)
10879H00004	Wedge Type Iron Stub	Flush	Kasonized	6	11 lb (5.0 kg)
10879H00028	Wedge Type Iron Stub	1-1/8" (28.6 mm)	Kasonized	6	11 lb (5.0 kg)
10879H00032	Wedge Type Brass Stub	Flush	Chrome	6	11 lb (5.0 kg)
10879H00056	Wedge Type Brass Stub	1-1/8" (28.6 mm)	Chrome	6	11 lb (5.0 kg)
10893000008	Iron Inside Release for 0877 and 0878		Kasonized	30	20.13 lb (9.13 kg)

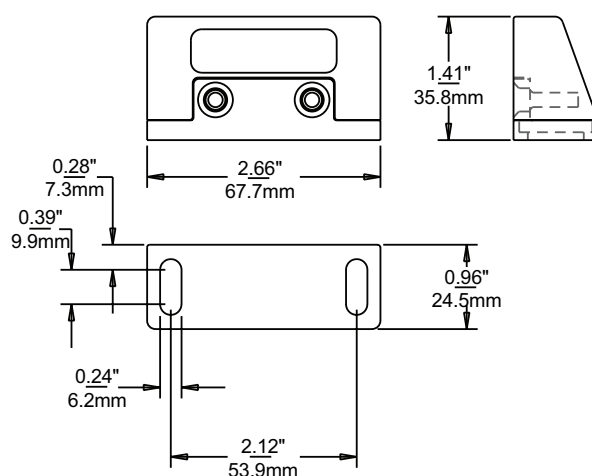
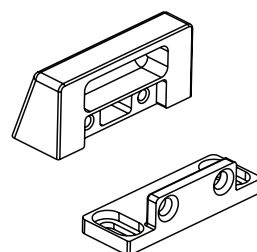
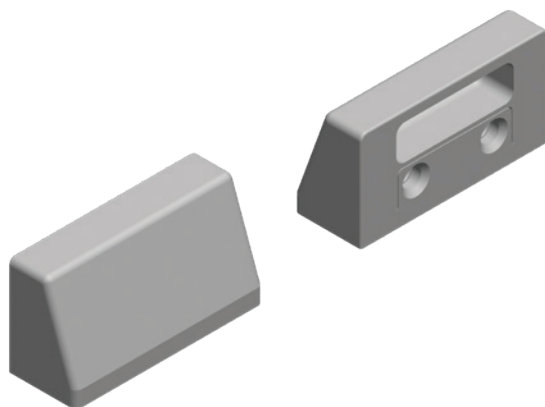
0038-08 Lock Keepers for Overlapping Reach-In Doors



- Simple lock keepers retain bolts on door mounted cylinder locks
- Mount on cabinet wall
- Strong die-cast zinc construction

Part No.	Description	Qty./Carton
1003800008	Narrow Lock Keeper	50
1003800012	Wide Lock Keeper	50

0038-12 Lock Keepers for Overlapping Reach-In Doors



Specifications

Material

Die-cast zinc

Finish

Polished and bright chrome plated

Mounting

Surface mounts with two No. 10 screws. Two No. 10-32 screws required to join two halves