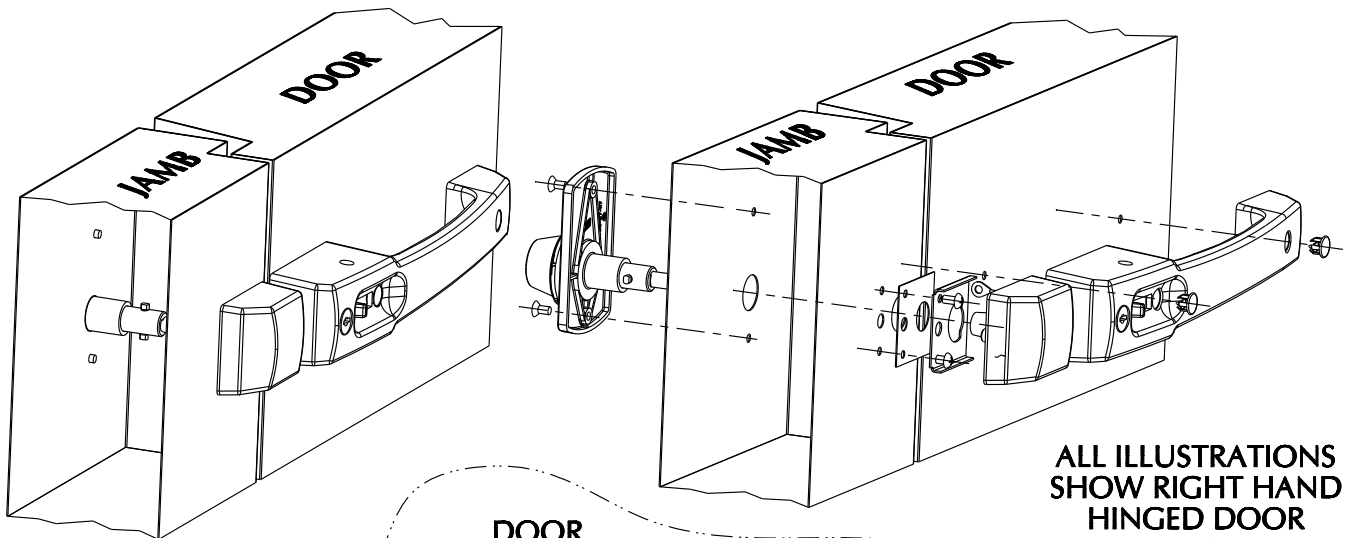
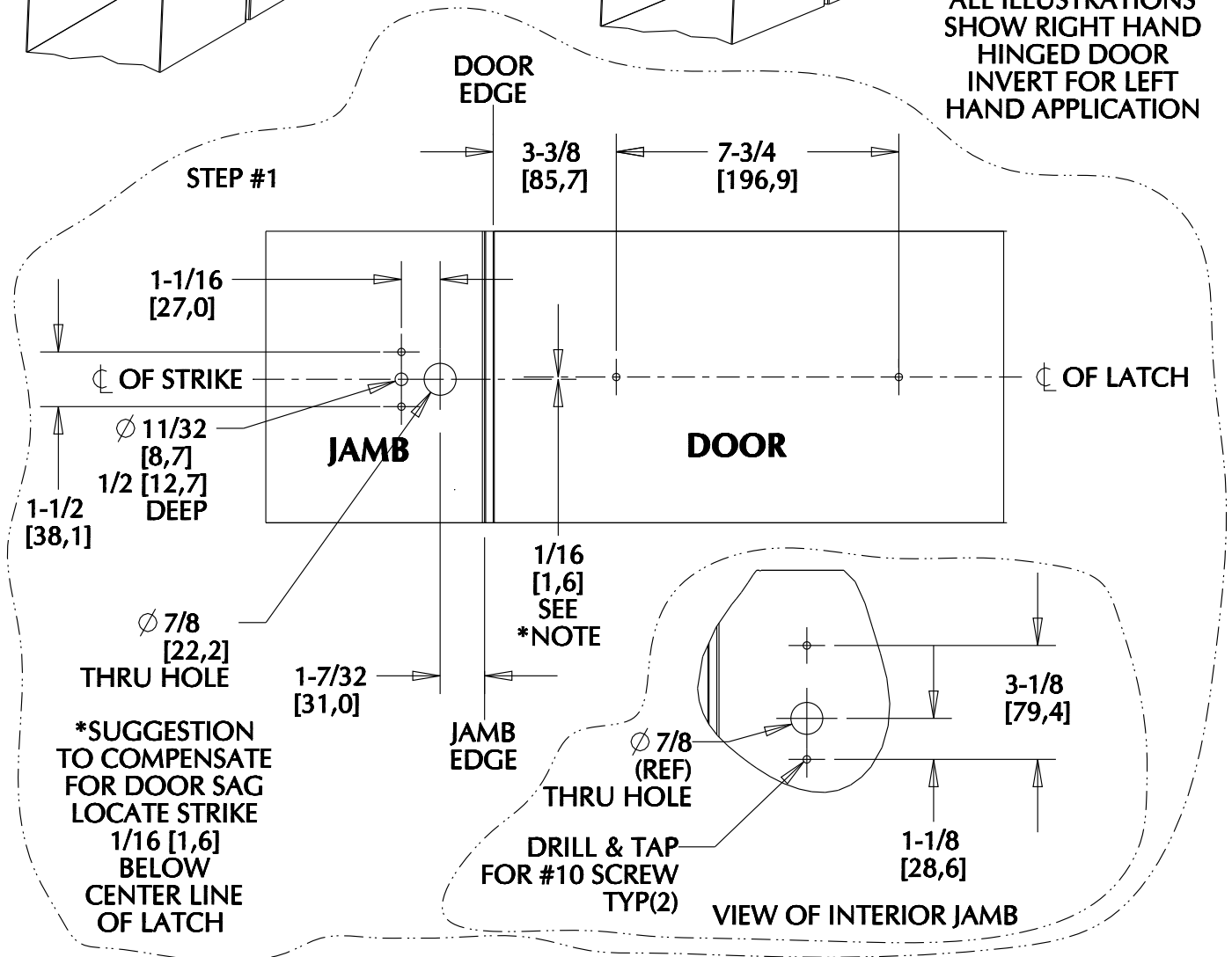


0027C SafeGuard® Deadbolt Locking Handle

Part Number: 10027C*

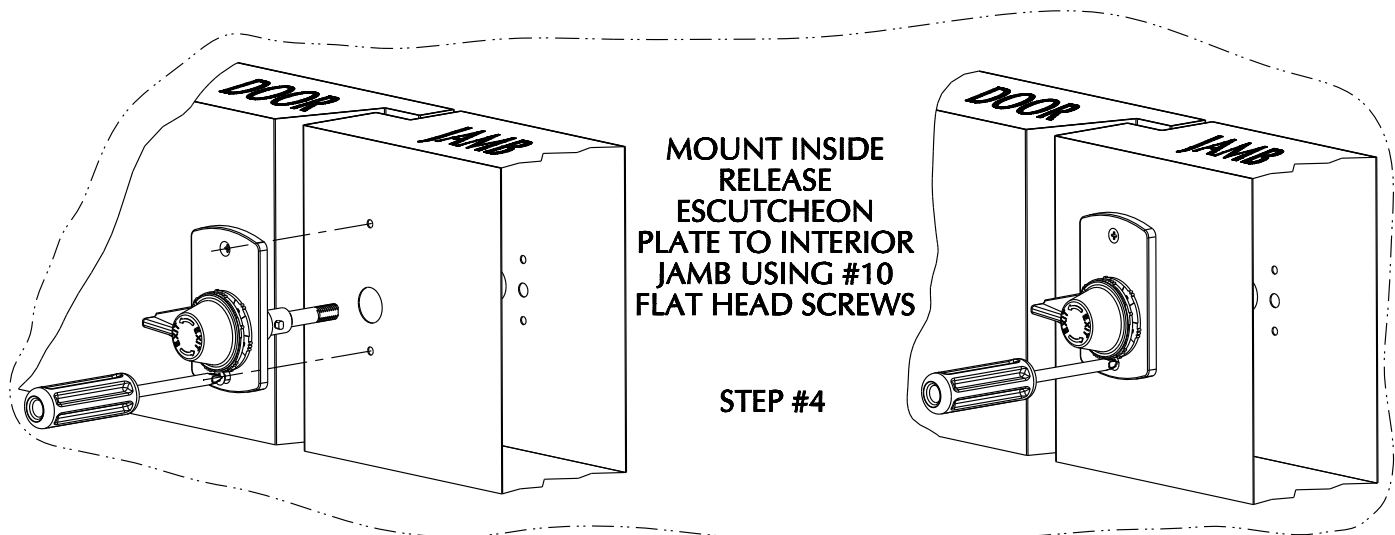
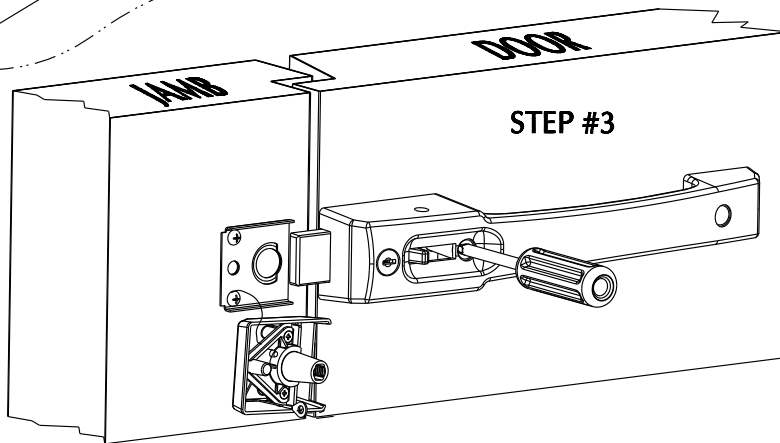
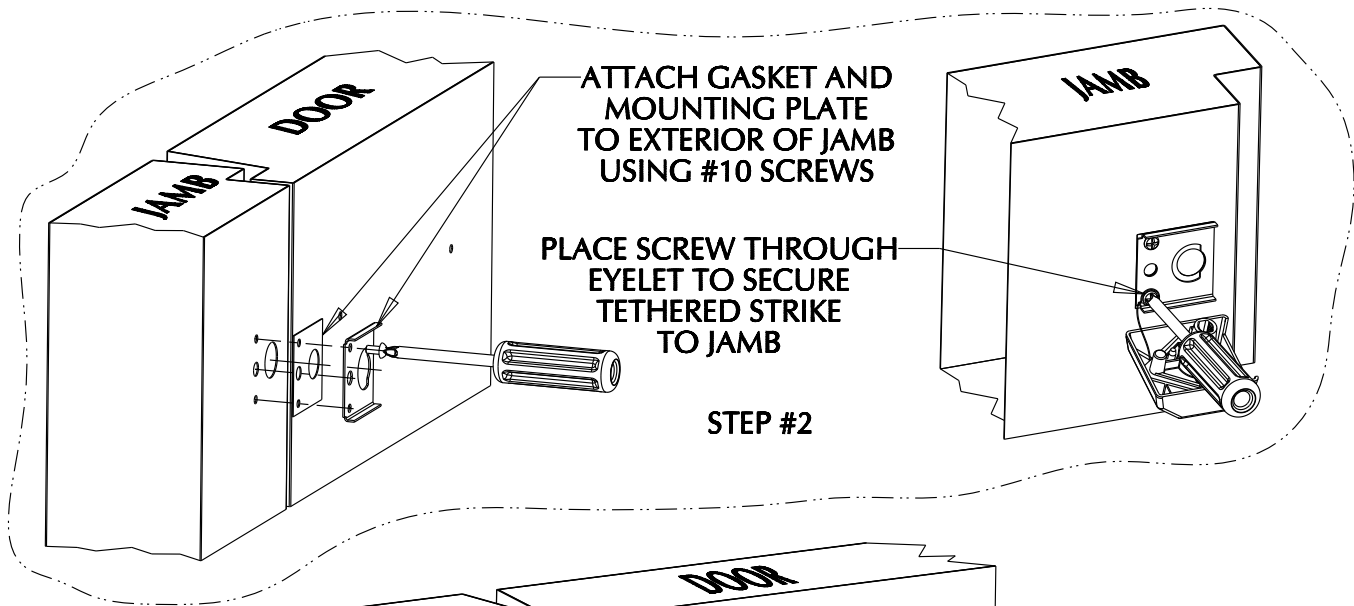


ALL ILLUSTRATIONS
SHOW RIGHT HAND
HINGED DOOR
INVERT FOR LEFT
HAND APPLICATION



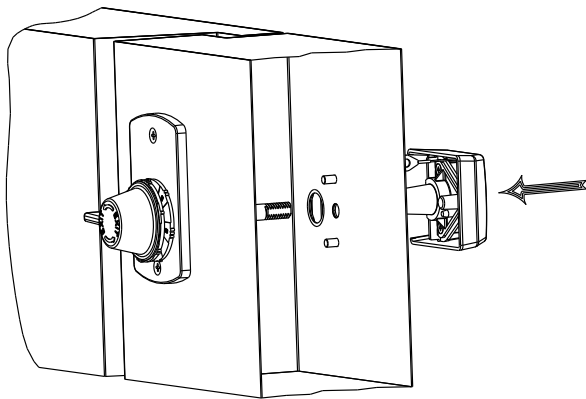
0027C SafeGuard® Deadbolt Locking Handle

Part Number: 10027C*



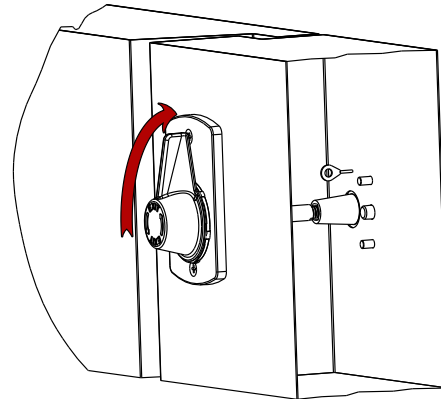
0027C SafeGuard® Deadbolt Locking Handle

Part Number: 10027C*



STEP #5

PRESS STRIKE
ONTO JAMB

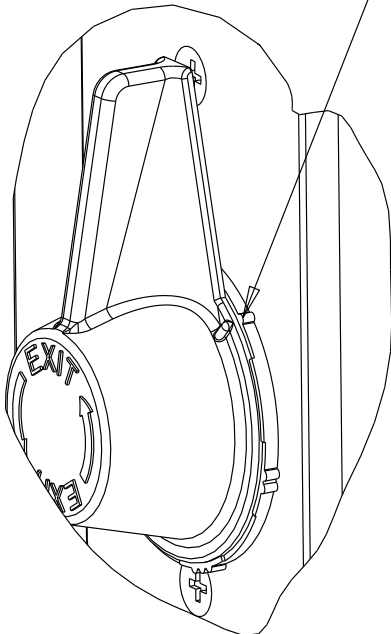


STEP #6

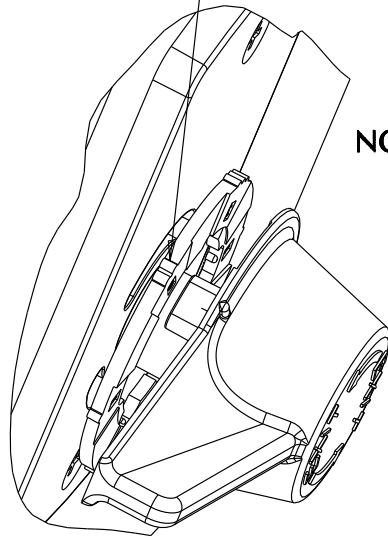
ROTATE LEVER
TO ENGAGE STRIKE

IF STRIKE IS LOOSE FOLLOW DIRECTIONS BELOW

TAB 1
MINIMUM
ADJUSTMENT



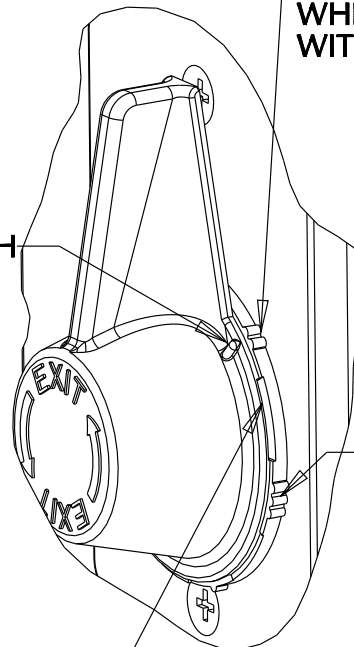
DISENGAGE
THEN ROTATE
INDEX WASHER
TO TAB 2 OR 3



ENGAGE
STRIKE

TAB 2 ACTIVE
WHEN ALIGNED
WITH NOTCH

NOTCH

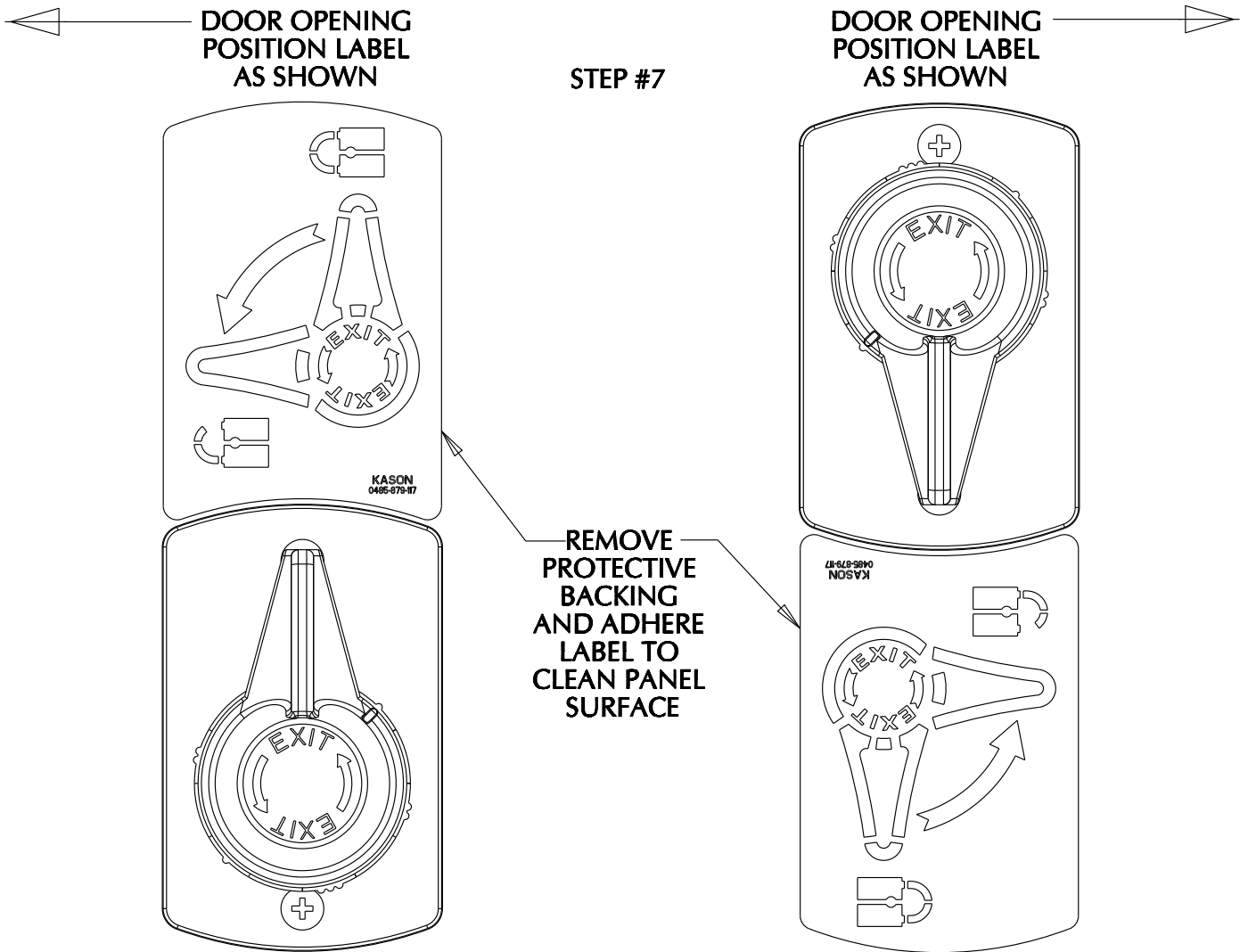


TAB 3 NOT
ACTIVE IN
THIS VIEW

AFTER ADJUSTING FILL VOIDS BETWEEN
LEVER & WASHER WITH SILICONE CAULK

0027C SafeGuard® Deadbolt Locking Handle

Part Number: 10027C*



STEP #8

POSITION LARGE MULTI-LINGUAL DECAL (NOT SHOWN)
AT EYE LEVEL ON INTERIOR SURFACE OF DOOR OR JAMB CLOSE
TO INSIDE RELEASE MECHANISM

**TO PROTECT AGAINST HUMAN ENTRAPMENT
PERIODICALLY CHECK FUNCTION OF INSIDE RELEASE ASSEMBLY**