

## 0056 SafeGuard® Latch and Strike

Part Number: 10056\*

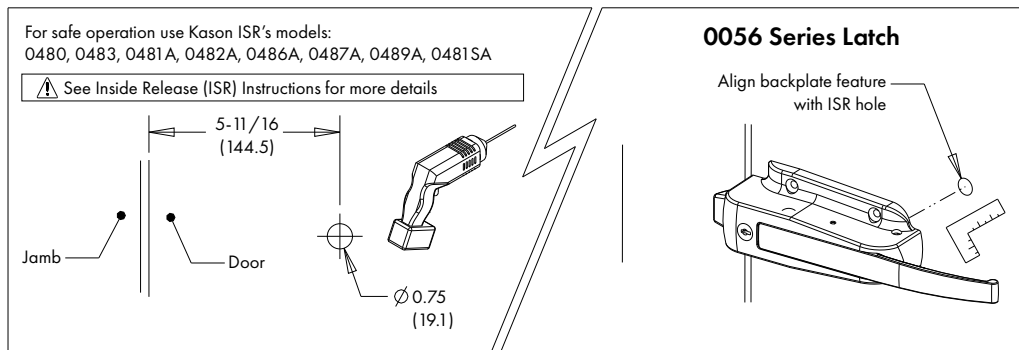
### ⚠ CAUTION

- Do not lock the latch when closing the door

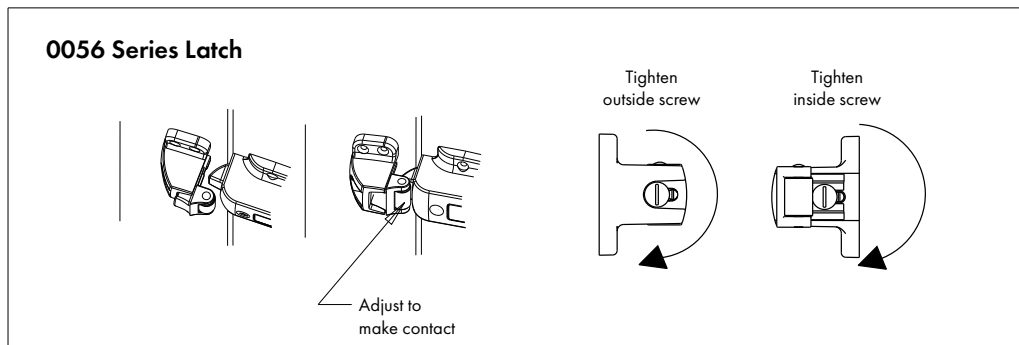
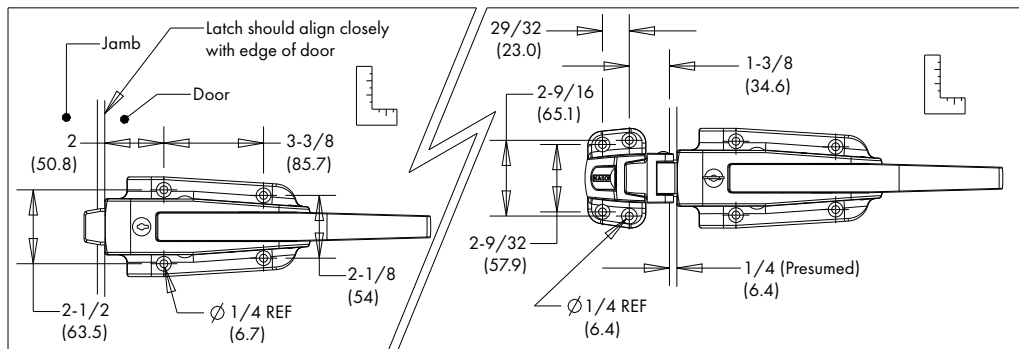
| Part No.*                         | Description                                   | Finish          |
|-----------------------------------|---|-----------------|
| 10056CL5020                       | Cylinder Locking Body, Light Spring           | Polished Chrome |
| 10056L05020                       | Padlocking Body, Light Spring                 | Polished Chrome |
| 10056005002                       | Strike, -1/8" to 1/4" (-3.2 to 6.4 mm)        | Polished Chrome |
| 10056005003                       | Strike, 3/4" to 1-1/2" (19 to 38.1 mm)        | Polished Chrome |
| 10056005005                       | Strike, 1-3/4" to 2-1/2"<br>(44.5 to 63.5 mm) | Polished Chrome |
| 10056005008                       | Strike, 3" to 4" (76.2 to 101.6 mm)           | Polished Chrome |
| Other finishes, springs available |   |                 |



U.S. Trademarks: 2,181,603; 5,809,889



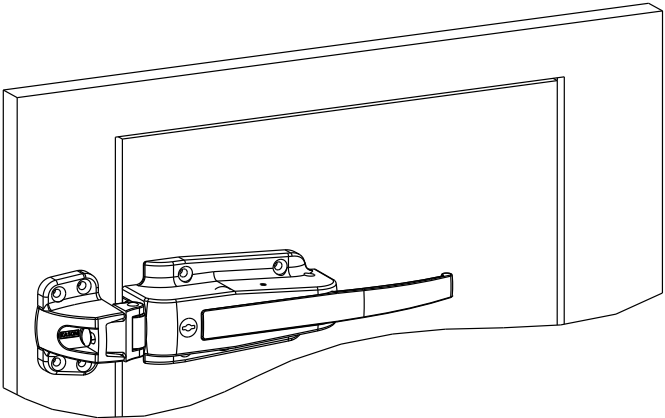
Ø 1/4 (6 mm) Mounting fasteners not provided



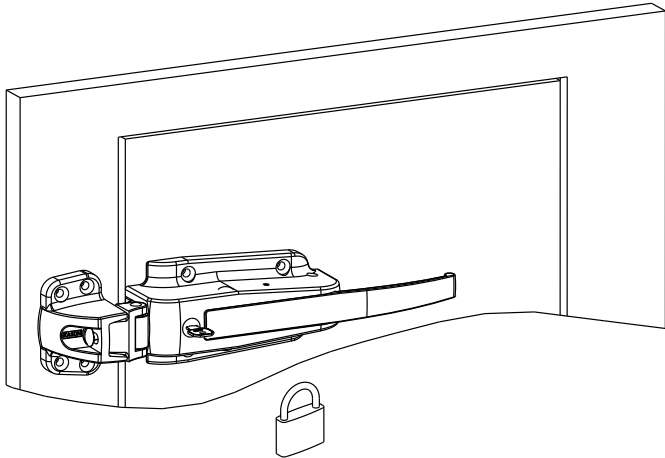
0056 SafeGuard® Latch and Strike

Part Number: 10056 \*

1. Close Door



2. Lock Latch



3. Unlock Latch  
4. Open Door  
5. Leave the Latch Unlocked

