

1847 Intelli-Vent® High-Flow Pressure Relief Port

Part Number: 11847000004/6

REQUIRED MATERIALS

- Pressure relief port 120/230 VAC
- Silicone caulk
- Utility box with cover

DIRECTIONS

1. Locate position of the pressure relief port on wall and mark large opening as shown in Fig 1.
Note: Check that there are no electrical conduit on the inside panel or on either surface that may be damaged by installation. The pressure relief port disperses a large amount of humid atmosphere in front of the heated vent, and must remain free of obstruction. Do not place shelving or products in front of unit. Do not place high on a wall that would be hard to access for maintenance. (Ideal placement is a few feet above the opening for a sliding door)
2. Cut completely through wall as shown for large opening.
3. Locate the small opening for the electrical box, on either the cold or warm side of the wall (small opening dimensions shown are for Kason Utility Box ELO- 58361-1/2). Cut through metal on one side only and cut insulation away as shown in Fig. 1 for electrical box.
4. Position electrical box in small cutout with wire holes toward large cutout. Cut hole through insulation from electrical box to large opening. Secure electrical box as needed.
5. Place a bead of caulk all around the frame assembly mounting flange to provide airtight seal against wall. (Kason Silicone Adhesive Sealant 63700000001 is recommended)
6. On cold side of wall, position frame assembly as shown in Fig. 2. Insert frame assembly into wall centering it within opening, guide power wires into electrical box as you do so. Push flange firmly into engagement with wall, seating caulk. Use self drilling screws or drill for appropriate fasteners and secure frame assembly to wall.
7. Moving to the exterior of the enclosure, place the hood in position shown in Fig. 2, (screened hole opening face down). Place a bead of caulk on the flange of the hood. Center the hood on the opening and press to contact the wall. Fasten using self drilling screws or drill and fasten with conventional screws in holes provided.
8. Run a power line into the electrical box. Connect the black and white wires to AC power source of proper voltage (120 VAC/230 VAC) to match voltage marking of product, and connect green wire to ground.

Note: Suitable for use in standard 0°F to -30°F freezers. Pressure relief ports can be expected to generate some moisture or frost during humid weather conditions. When warm moist air is cooled as it enters the refrigerated space, the formation of some condensation is unavoidable. To reduce the chance of frost or moisture buildup, the pressure relief port should be located where the entering warm moist air can disperse without directly contacting a cold surface.

FIG. 1

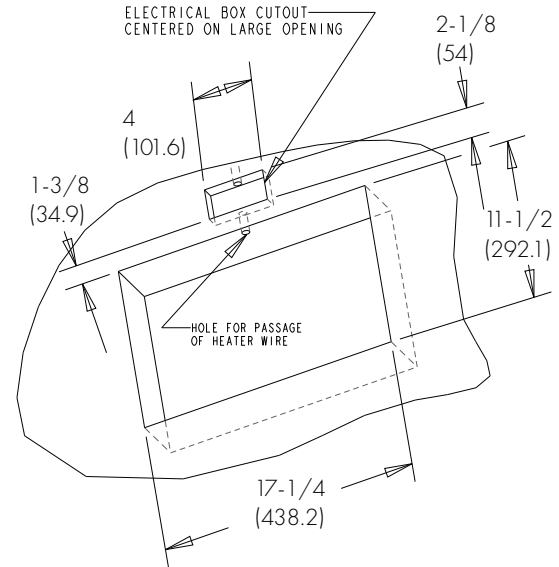
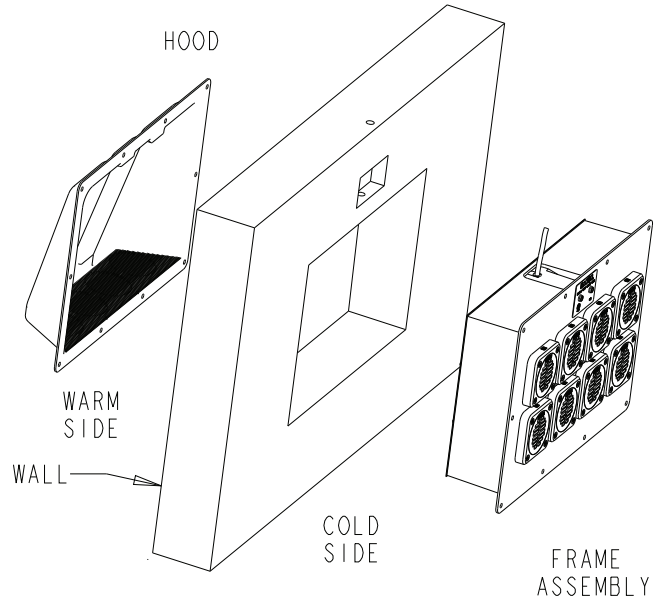


FIG. 2



Part No.	Description
11847000004	Pressure Relief Port, 120 VAC, 4" Wall Thickness
11847000006	Pressure Relief Port, 230 VAC, 4" Wall Thickness

