



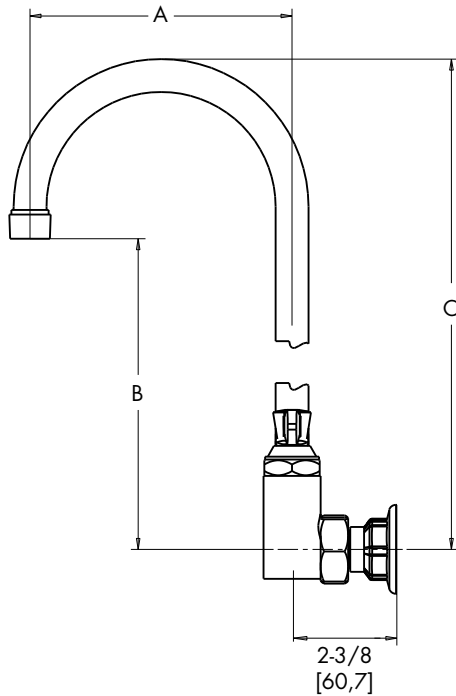
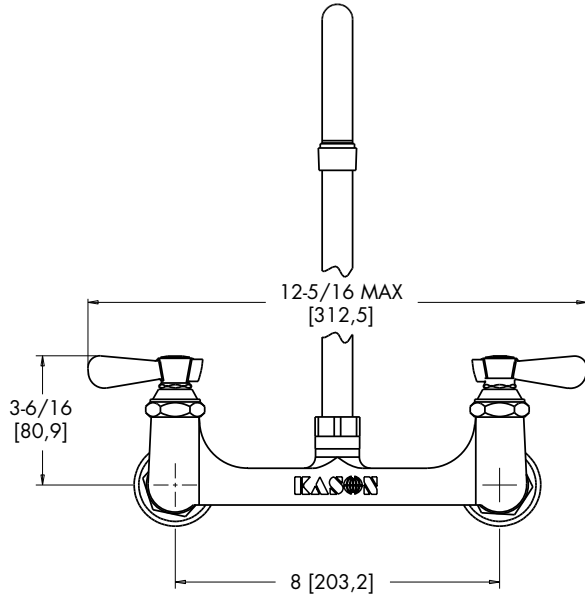
SERVING YOU SINCE 1926

KASON FOOD SERVICE 31-A AMLAJACK BLVD. NEWNAN, GA 30265
1-800-935-2766 WWW.KASONIND.COM

APPLICATION: _____

JOB NAME: _____

QUANTITY: _____ SPECIFIER NO: _____



MODEL	DIM "A"	DIM "B"	DIM "C"
451KL8001	3-1/2"	5-7/8"	9-3/16"
451KL8002	6"	6-1/16"	9-3/4"
451KL8003	8-1/2"	11-3/4"	15-1/4"

ROUGH-IN: Ø 7/8" HOLES ON Ø 8" CENTERS

PRODUCT NAME: 8-INCH WALL MOUNT FAUCET

SPECIAL CONFIGURATION CHECK BASE MODEL AND OPTIONS

MODEL:

451KL8001 W/ 3-1/2" GOOSENECK SWIVEL SPOUT

451KL8002 W/ 6" GOOSENECK SWIVEL SPOUT

451KL8003 W/ 8-1/2" GOOSENECK SWIVEL SPOUT

OPTIONS OR MODIFICATIONS:

<input type="checkbox"/> SUPPLY LINES (24" OR 36" CIRCLE LENGTH)	<input type="checkbox"/> HANDLES: CROSS STYLE
<input type="checkbox"/> INLET KIT	<input type="checkbox"/> HANDLES: WRIST STYLE
<input type="checkbox"/> NIPPLES	<input type="checkbox"/> CERAMIC CARTRIDGE
<input type="checkbox"/> ELBOWS	<input type="checkbox"/> LOW FLOW AERATOR
<input type="checkbox"/> VANDAL RESISTANT KIT	<input type="checkbox"/> SPOUT EXTENTIONS
	<input type="checkbox"/> OTHER _____

FEATURES:

- *SPECIFICATION GRADE FAUCETS FOR YEARS OF DEPENDABLE PERFORMANCE.
- *RUGGED LOW LEAD BRASS ALLOY BODY WITH TRIPLE CHROME PLATE FINISH FOR LONG LIFE AND LOW MAINTENANCE.
- *QUARTER TURN CERAMIC VALVES
- *BUILT-IN CHECK VALVES.

MATERIALS:

- *POLISHED, CHROME PLATED, LOW LEAD BRASS ALLOY FAUCET, BODY, STEM, AND SPOUT.
- *POLISHED CHROME FINISHED HIGH PRESSURE DIE-CAST ZINC HANDLES WITH STAINLESS STEEL SCREWS.

MOUNTING:

- *1/2"-14 NPS FEMALE ECCENTRIC INLETS
- *Ø7/8" MOUNTING HOLES
- *8" CENTERS, ADJUSTABLE ±1/4"

SYSTEM LIMITS:

- *TEMP: 40°F MIN. TO 140°F MAX
- *PRESSURE 200 PSI MAX. STATIC
- *1.80 GPM AT 80 PSI

APPROVALS: _____

DATE: _____

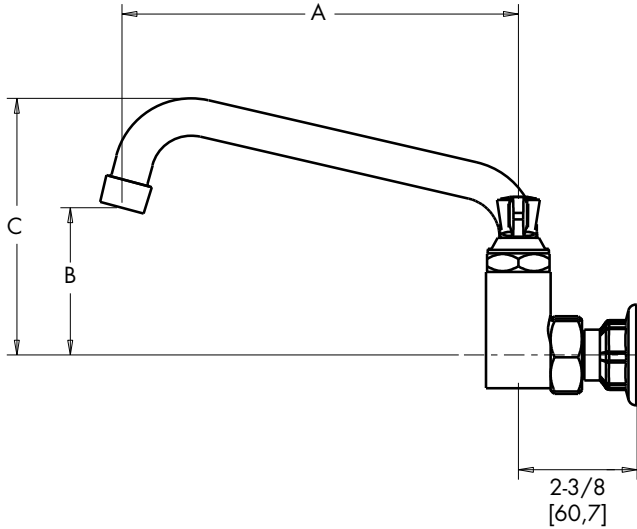
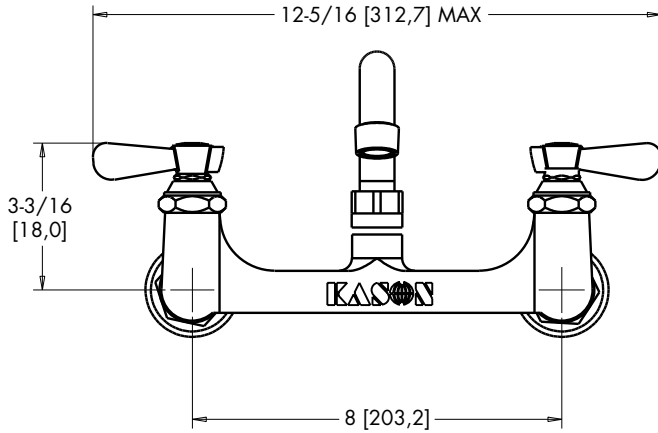




SERVING YOU SINCE 1926

KASON FOOD SERVICE 31-A AMLAJACK BLVD. NEWNAN, GA 30265
1-800-935-2766 WWW.KASONIND.COM

APPLICATION:
JOB NAME:
QUANTITY: SPECIFIER NO:



MODEL	DIM "A"	DIM "B"	DIM "C"
451KL8006	6"	1-13/16"	3-15/16"
451KL8008	8"	3-1/16"	5-5/32"
451KL8010	10"	3-1/2"	5-5/8"
451KL8012	12"	3-29/32"	6-1/16"
451KL8014	14"	4-11/32"	6-1/2"
451KL8016	16"	4-25/32"	6-29/32"
451KL8018	18"	5-7/32"	7-3/8"

ROUGH-IN: Ø 7/8" HOLES ON Ø 8" CENTERS

PRODUCT NAME: 8-INCH WALL MOUNT FAUCET
 SPECIAL CONFIGURATION CHECK BASE MODEL AND OPTIONS

MODEL:
 451KL8006 W/ 6" SWIVEL SPOUT
 451KL8008 W/ 8" SWIVEL SPOUT
 451KL8010 W/ 10" SWIVEL SPOUT
 451KL8012 W/ 12" SWIVEL SPOUT
 451KL8014 W/ 14" SWIVEL SPOUT
 451KL8016 W/ 16" SWIVEL SPOUT
 451KL8018 W/ 18" DOUBLE JOINTED SPOUT

OPTIONS OR MODIFICATIONS:
 SUPPLY LINES (24" OR 36" CIRCLE LENGTH)
 INLET KIT
 NIPPLES
 ELBOWS
 VANDAL RESISTANT KIT
 HANDLES: CROSS STYLE
 HANDLES: WRIST STYLE
 CERAMIC CARTRIDGE
 LOW FLOW AERATOR
 SPOUT EXTENTIONS
 OTHER _____

FEATURES:
 *SPECIFICATION GRADE FAUCETS FOR YEARS OF DEPENDABLE PERFORMANCE.
 *RUGGED LOW LEAD BRASS ALLOY BODY WITH TRIPLE CHROME PLATE FINISH FOR LONG LIFE AND LOW MAINTENANCE.
 *QUARTER TURN CERAMIC VALVES
 *BUILT-IN CHECK VALVES.

MATERIALS:
 *POLISHED, CHROME PLATED, LOW LEAD BRASS ALLOY FAUCET, BODY, STEM, AND SPOUT.
 *POLISHED CHROME FINISHED HIGH PRESSURE DIE-CAST ZINC HANDLES WITH STAINLESS STEEL SCREWS.

MOUNTING:
 *1/2"-14 NPS FEMALE ECCENTRIC INLETS
 *Ø7/8" MOUNTING HOLES
 *8" CENTERS, ADJUSTABLE ±1/4"

SYSTEM LIMITS:
 *TEMP: 40°F MIN. TO 140°F MAX
 *PRESSURE 200 PSI MAX. STATIC
 *1.80 GPM AT 80 PSI

APPROVALS:
DATE:

