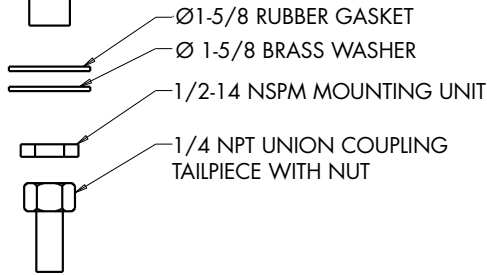
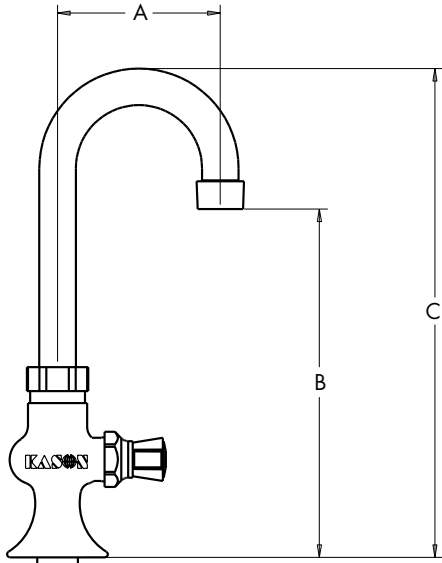




**SERVING YOU SINCE 1926**

KASON FOOD SERVICE 31-A AMLAJACK BLVD. NEWNAN, GA 30265  
1-800-935-2766 WWW.KASONIND.COM



MODEL	DIM "A"	DIM "B"	DIM "C"
452KL2001	3-1/2"	7-5/8"	10-7/16"
452KL2002	6"	7-13/16"	11"
452KL2003	8-1/2"	11-13/16"	16-7/16"

ROUGH-IN: Ø 7/8" HOLE

APPLICATION:  
JOB NAME:  
QUANTITY: SPECIFIER NO:

PRODUCT NAME: SINGLE PANTRY FAUCET  
 SPECIAL CONFIGURATION CHECK BASE MODEL AND OPTIONS

MODEL:  
 452KL2001 W/ 3-1/2" GOOSENECK SWIVEL SPOUT  
 452KL2002 W/ 6" GOOSENECK SWIVEL SPOUT  
 452KL2003 W/ 8-1/2" GOOSENECK SWIVEL SPOUT

OPTIONS OR MODIFICATIONS:  
 SUPPLY LINES (24" OR 36" CIRCLE LENGTH)  
 INLET KIT  
 NIPPLES  
 ELBOWS  
 VANDAL RESISTANT KIT  
 HANDLES: CROSS STYLE  
 HANDLES: WRIST STYLE  
 CERAMIC CARTRIDGE  
 LOW FLOW AERATOR  
 SPOUT EXTENTIONS  
 OTHER \_\_\_\_\_

FEATURES:  
 \*SPECIFICATION GRADE FAUCETS FOR YEARS OF DEPENDABLE PERFORMANCE.  
 \*RUGGED LOW LEAD BRASS ALLOY BODY WITH TRIPLE CHROME PLATE FINISH FOR LONG LIFE AND LOW MAINTENANCE.  
 \*QUARTER-TURN CERAMIC VALVES  
 \*BUILT-IN CHECK VALVES

MATERIALS:  
 \*LOW LEAD BRASS ALLOY VALVE STEM AND BODY.  
 \*POLISHED, TRIPLE CHROME PLATED VALVE BODY.  
 \*POLISHED CHROME FINISHED TUBULAR BRASS SPOUTS.  
 \*POLISHED CHROME FINISHED HIGH PRESSURE DIE-CAST ZINC HANDLES WITH STAINLESS STEEL SCREWS.

MOUNTING:  
 \*1/2" NPS MALE INLET  
 \*Ø 7/8" MOUNTING HOLE  
 \*1/4" NPT UNION TAIL PIECE

SYSTEM LIMITS:  
 \*TEMP: 40°F MIN. TO 140°F MAX  
 \*PRESSURE 200 PSI MAX. STATIC  
 \*1.80 GPM AT 60 PSI

**APPROVALS:**  
  
**DATE:**

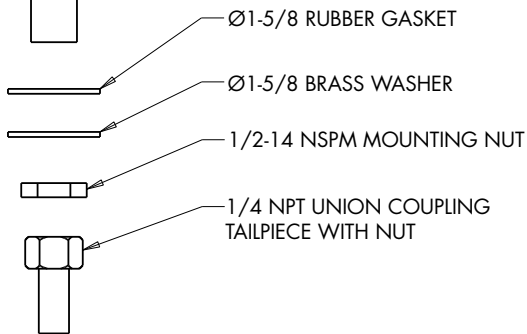
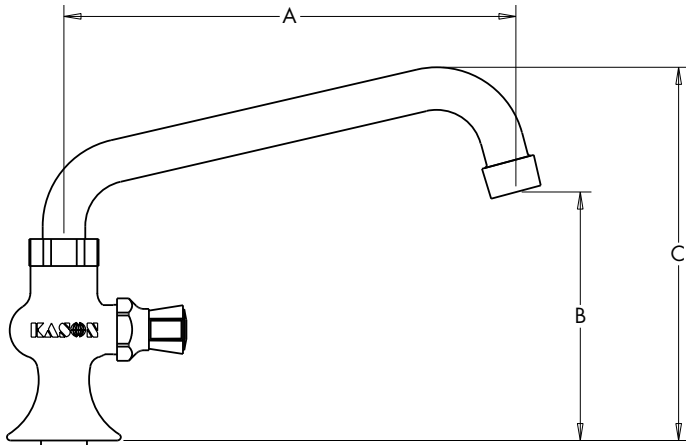
**GreenGuard®** **NSF**  
C US  
ASME A112.18.1/CSA B125.1  
NSF-61/9-G



**SERVING YOU SINCE 1926**

KASON FOOD SERVICE 31-A AMLAJACK BLVD. NEWNAN, GA 30265  
1-800-935-2766 WWW.KASONIND.COM

APPLICATION:  
JOB NAME:  
QUANTITY: SPECIFIER NO:



MODEL	DIM "A"	DIM "B"	DIM "C"
452KL2006	6"	4-15/32"	6-19/32"
452KL2008	8"	4-1/2"	6-9/16"
452KL2010	10"	5-3/8"	7-1/2"
452KL2012	12"	5-13/16"	7-15/16"
452KL2014	14"	6-1/4"	8-11/32"
452KL2016	16"	6-11/32"	8-25/32"
452KL2018	18"	7-3/32"	9-1/4"

ROUGH-IN: Ø 7/8" HOLE

PRODUCT NAME: SINGLE PANTRY FAUCET  
 SPECIAL CONFIGURATION CHECK BASE MODEL AND OPTIONS

MODEL:

- 452KL2006 W/ 6" SWIVEL SPOUT
- 452KL2008 W/ 8" SWIVEL SPOUT
- 452KL2010 W/ 10" SWIVEL SPOUT
- 452KL2012 W/ 12" SWIVEL SPOUT
- 452KL2014 W/ 14" SWIVEL SPOUT
- 452KL2016 W/ 16" SWIVEL SPOUT
- 452KL2018 W/ 18" DOUBLE-JOINTED SWIVEL SPOUT

OPTIONS OR MODIFICATIONS:

- SUPPLY LINES (24" OR 36" CIRCLE LENGTH)
- INLET KIT
- NIPPLES
- ELBOWS
- VANDAL RESISTANT KIT
- HANDLES: CROSS STYLE
- HANDLES: WRIST STYLE
- CERAMIC CARTRIDGE
- LOW FLOW AERATOR
- SPOUT EXTENTIONS
- OTHER \_\_\_\_\_

FEATURES:

- \*SPECIFICATION GRADE FAUCETS FOR YEARS OF DEPENDABLE PERFORMANCE.
- \*RUGGED LOW LEAD BRASS ALLOY BODY WITH TRIPLE CHROME PLATE FINISH FOR LONG LIFE AND LOW MAINTENANCE.
- \*QUARTER-TURN CERAMIC VALVES
- \*BUILT-IN CHECK VALVES

MATERIALS:

- \*LOW LEAD BRASS ALLOY VALVE STEM AND BODY.
- \*POLISHED, TRIPLE CHROME PLATED VALVE BODY.
- \*POLISHED CHROME FINISHED TUBULAR BRASS SPOUTS.
- \*POLISHED CHROME FINISHED HIGH PRESSURE DIE-CAST ZINC HANDLES WITH STAINLESS STEEL SCREWS.

MOUNTING:

- \*1/2" NPS MALE INLET
- \*Ø 7/8" MOUNTING HOLE
- \*1/4" NPT UNION TAIL PIECE

SYSTEM LIMITS:

- \*TEMP: 40°F MIN. TO 140°F MAX
- \*PRESSURE 200 PSI MAX. STATIC
- \*1.80 GPM AT 60 PSI

**APPROVALS:**  
**DATE:**

**GreenGuard®** AB 1953 COMPLIANT **NSF** C US ASME A112.18.1/CSA B125.1 NSF-61/9-G