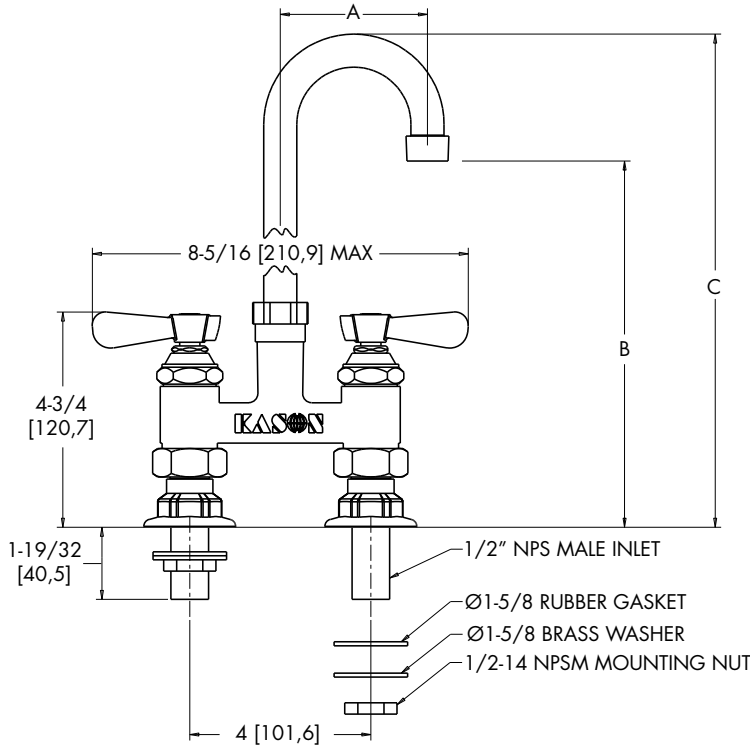




**SERVING YOU SINCE 1926**

KASON FOOD SERVICE 31-A AMLAJACK BLVD. NEWNAN, GA 30265  
1-800-935-2766 WWW.KASONIND.COM



MODEL	DIM "A"	DIM "B"	DIM "C"
452KL4001	3-1/2"	8-3/16"	7-7/32"
452KL4002	6"	8-3/8"	14-5/8"
452KL4003	8-1/2"	11-3/4"	17-7/16"

ROUGH-IN: Ø 7/8" HOLES ON Ø 4" CENTERS

APPLICATION: \_\_\_\_\_

JOB NAME: \_\_\_\_\_

QUANTITY: \_\_\_\_\_ SPECIFIER NO: \_\_\_\_\_

PRODUCT NAME: 4" DECK MOUNT FAUCET

SPECIAL CONFIGURATION  
CHECK BASE MODEL AND OPTIONS

MODEL:

452KL4001 W/ 3-1/2" GOOSENECK SWIVEL SPOUT

452KL4002 W/ 6" GOOSENECK SWIVEL SPOUT

452KL4003 W/ 8-1/2" GOOSENECK SWIVEL SPOUT

OPTIONS OR MODIFICATIONS:

<input type="checkbox"/> SUPPLY LINES (24" OR 36" CIRCLE LENGTH)	<input type="checkbox"/> HANDLES: CROSS STYLE
<input type="checkbox"/> INLET KIT	<input type="checkbox"/> HANDLES: WRIST STYLE
<input type="checkbox"/> NIPPLES	<input type="checkbox"/> CERAMIC CARTRIDGE
<input type="checkbox"/> ELBOWS	<input type="checkbox"/> LOW FLOW AERATOR
<input type="checkbox"/> VANDAL RESISTANT KIT	<input type="checkbox"/> SPOUT EXTENTIONS
	<input type="checkbox"/> OTHER _____

FEATURES:

- \*SPECIFICATION GRADE FAUCETS FOR YEARS OF DEPENDABLE PERFORMANCE.
- \*RUGGED LOW LEAD BRASS ALLOY BODY WITH TRIPLE CHROME PLATE FINISH FOR LONG LIFE AND LOW MAINTENANCE.
- \*QUARTER TURN CERAMIC VALVES
- \*BUILT-IN CHECK VALVES

MATERIALS:

- \*LOW LEAD BRASS ALLOY VALVE STEM AND BODY.
- \*POLISHED, TRIPLE CHROME PLATED VALVE BODY.
- \*POLISHED CHROME FINISHED TUBULAR BRASS SPOUTS.
- \*POLISHED CHROME FINISHED HIGH PRESSURE DIE-CAST ZINC HANDLES WITH STAINLESS STEEL SCREWS.

MOUNTING:

- \*1/2" NPS MALE INLET
- \*Ø 7/8" MOUNTING HOLES
- \*4" CENTERS, ADJUSTABLE ±1/4"

SYSTEM LIMITS:

- \*TEMP: 40°F MIN. TO 140°F MAX
- \*PRESSURE 200 PSI MAX. STATIC
- \*1.80 GPM AT 80 PSI

**APPROVALS:** \_\_\_\_\_

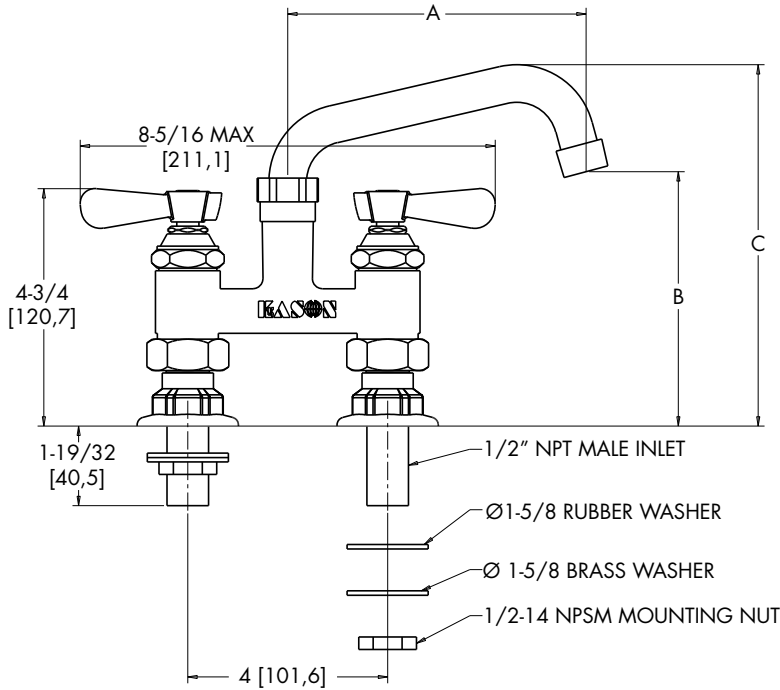
**DATE:** \_\_\_\_\_





**SERVING YOU SINCE 1926**

KASON FOOD SERVICE 31-A AMLAJACK BLVD. NEWNAN, GA 30265  
1-800-935-2766 WWW.KASONIND.COM



MODEL	DIM "A"	DIM "B"	DIM "C"
452KL4006	6"	4-7/8"	7-7/32"
452KL4008	8"	5-1/4"	7-1/4"
452KL4010	10"	6-1/16"	8-3/16"
452KL4012	12"	5-3/4"	8-9/16"
452KL4014	14"	6-7/16"	9"
452KL4016	16"	6-7/16"	9-7/16"
452KL4018	18"	8-7/16"	10-5/8"

ROUGH-IN: Ø 7/8" HOLES ON Ø 4" CENTERS

APPLICATION:

JOB NAME:

QUANTITY:

SPECIFIER NO:

PRODUCT NAME: 4" DECK MOUNT FAUCET

SPECIAL CONFIGURATION  
CHECK BASE MODEL AND OPTIONS

MODEL:

- 452KL4006 W/ 6" SWIVEL SPOUT
- 452KL4008 W/ 8" SWIVEL SPOUT
- 452KL4010 W/ 10" SWIVEL SPOUT
- 452KL4012 W/ 12" SWIVEL SPOUT
- 452KL4014 W/ 14" SWIVEL SPOUT
- 452KL4016 W/ 16" SWIVEL SPOUT
- 452KL4018 W/ 18" DOUBLE-JOINTED SWIVEL SPOUT

OPTIONS OR MODIFICATIONS:

- SUPPLY LINES (24" OR 36" CIRCLE LENGTH)
- INLET KIT
- NIPPLES
- ELBOWS
- VANDAL RESISTANT KIT
- HANDLES: CROSS STYLE
- HANDLES: WRIST STYLE
- CERAMIC CARTRIDGE
- LOW FLOW AERATOR
- SPOUT EXTENTIONS
- OTHER \_\_\_\_\_

FEATURES:

- \*SPECIFICATION GRADE FAUCETS FOR YEARS OF DEPENDABLE PERFORMANCE.
- \*RUGGED LOW LEAD BRASS ALLOY BODY WITH TRIPLE CHROME PLATE FINISH FOR LONG LIFE AND LOW MAINTENANCE.
- \*QUARTER TURN CERAMIC VALVES
- \*BUILT-IN CHECK VALVES

MATERIALS:

- \*LOW LEAD BRASS ALLOY VALVE STEM AND BODY.
- \*POLISHED, TRIPLE CHROME PLATED VALVE BODY.
- \*POLISHED CHROME FINISHED TUBULAR BRASS SPOUTS.
- \*POLISHED CHROME FINISHED HIGH PRESSURE DIE-CAST ZINC HANDLES WITH STAINLESS STEEL SCREWS.

MOUNTING:

- \*1/2" NPS MALE INLET
- \*Ø 7/8" MOUNTING HOLES
- \*4" CENTERS, ADJUSTABLE ±1/4"

SYSTEM LIMITS:

- \*TEMP: 40°F MIN. TO 140°F MAX
- \*PRESSURE 200 PSI MAX. STATIC
- \*1.80 GPM AT 80 PSI

**APPROVALS:**

**DATE:**



NSF-61/9-G