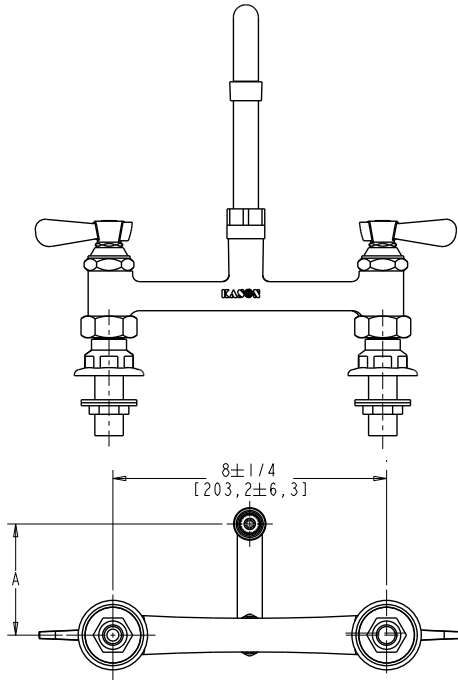


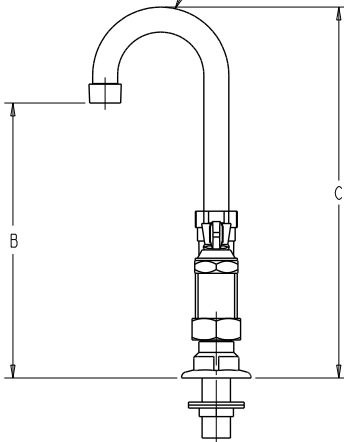


SERVING YOU SINCE 1926

KASON FOOD SERVICE 31-A AMLAJACK BLVD. NEWNAN, GA 30265
1-800-935-2766 WWW.KASONIND.COM



GOOSENECK SPOUT
W/DOUBLE O-RING SEAL
SEE CHART



MODEL	DIM "A"	DIM "B"	DIM "C"
452KL8001	3-1/2"	5-7/8"	8-13/32"
452KL8002	6"	6-1/16"	12-15/16"
452KL8003	8-1/2"	9-7/8"	12-3/8"

ROUGH-IN: Ø 7/8" HOLE ON 8" CENTERS

APPLICATION:
JOB NAME:
QUANTITY: SPECIFIER NO:

PRODUCT NAME: 8" DECK MOUNT FAUCET
 SPECIAL CONFIGURATION CHECK BASE MODEL AND OPTIONS

MODEL:
 452KL8001 W/ 3.5" GOOSENECK SWIVEL SPOUT
 452KL8002 W/ 6" GOOSENECK SWIVEL SPOUT
 452KL8003 W/ 8.5" GOOSENECK SWIVEL SPOUT

OPTIONS OR MODIFICATIONS:
 SUPPLY LINES (24" OR 36" CIRCLE LENGTH)
 INLET KIT
 NIPPLES
 ELBOWS
 VANDAL RESISTANT KIT
 HANDLES: CROSS STYLE
 HANDLES: WRIST STYLE
 CERAMIC CARTRIDGE
 LOW FLOW AERATOR
 SPOUT EXTENTIONS
 OTHER _____

FEATURES:
*SPECIFICATION GRADE FAUCETS FOR YEARS OF DEPENDABLE PERFORMANCE.
*RUGGED LOW LEAD BRASS ALLOY BODY WITH TRIPLE CHROME PLATE FINISH FOR LONG LIFE AND LOW MAINTENANCE.
*QUARTERTURN CERAMIC VALVES
*BUILT-IN CHECK VALVES

MATERIALS:
*LOW LEAD, BRASS ALLOY VALVE BODY AND STEM.
*POLISHED, TRIPLE CHROME PLATED VALVE BODY.
*POLISHED CHROME FINISH, TUBULAR BRASS SPOUTS.
*POLISHED CHROME FINISH, HIGH PRESSURE ZINC DIE-CAST HANDLES WITH STAINLESS STEEL SCREWS.

MOUNTING:
*1/2"-14 NPS MALE INLETS
*8" CENTERS, ADJUSTABLE ±1/4", WITH MOUNTING HARDWARE

SYSTEM LIMITS:
*TEMP: 40°F MIN. TO 140°F MAX
*PRESSURE 200 PSI MAX. STATIC
*1.8 GPM AT 80 PSI

APPROVALS:
DATE:

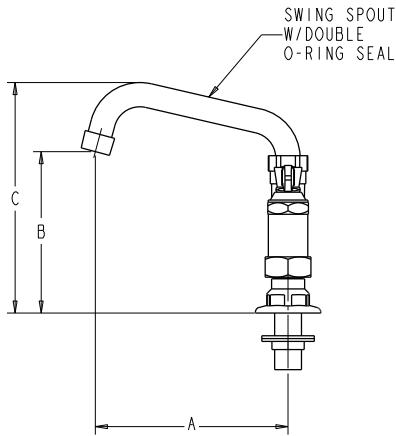
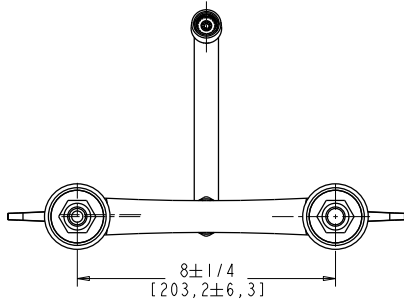
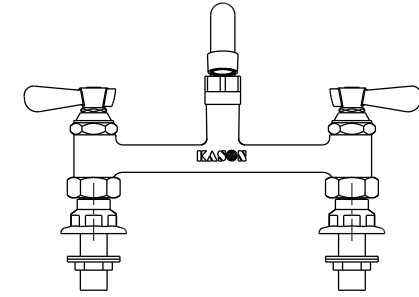




SERVING YOU SINCE 1926

KASON FOOD SERVICE 31-A AMLAJACK BLVD. NEWNAN, GA 30265
1-800-935-2766 WWW.KASONIND.COM

APPLICATION:
JOB NAME:
QUANTITY: SPECIFIER NO:



MODEL	DIM "A"	DIM "B"	DIM "C"
452KL8006	6"	4-7/8"	8-1/32"
452KL8008	8"	5-1/4"	8-1/2"
452KL8010	10"	6-1/16"	8-31/32"
452KL8012	12"	5-3/4"	9-3/8"
452KL8014	14"	6-7/16"	9-25/32"
452KL8016	16"	6-7/16"	9-25/32"
452KL8118	18"	6-7/8"	10-1/4"

ROUGH-IN: Ø 7/8" HOLES ON 8" CENTERS

PRODUCT NAME: 8" DECK MOUNT FAUCET

SPECIAL CONFIGURATION CHECK BASE MODEL AND OPTIONS

- MODEL:
- 452KL8006 W/ 6" SWIVEL SPOUT
 - 452KL8008 W/ 8" SWIVEL SPOUT
 - 452KL8010 W/ 10" SWIVEL SPOUT
 - 452KL8012 W/ 12" SWIVEL SPOUT
 - 452KL8014 W/ 14" SWIVEL SPOUT
 - 452KL8016 W/ 16" SWIVEL SPOUT
 - 452KL8118 W/ 18" DOUBLE JOINTED SPOUT

- OPTIONS OR MODIFICATIONS:
- SUPPLY LINES (24" OR 36" CIRCLE LENGTH)
 - INLET KIT
 - NIPPLES
 - ELBOWS
 - VANDAL RESISTANT KIT
 - HANDLES: CROSS STYLE
 - HANDLES: WRIST STYLE
 - CERAMIC CARTRIDGE
 - LOW FLOW AERATOR
 - SPOUT EXTENTIONS
 - OTHER _____

- FEATURES:
- *SPECIFICATION GRADE FAUCETS FOR YEARS OF DEPENDABLE PERFORMANCE.
 - *RUGGED LOW LEAD BRASS ALLOY BODY WITH TRIPLE CHROME PLATE FINISH FOR LONG LIFE AND LOW MAINTENANCE.
 - *QUARTERTURN CERAMIC VALVES
 - *BUILT-IN CHECK VALVES

- MATERIALS:
- *LOW LEAD, BRASS ALLOY VALVE BODY AND STEM.
 - *POLISHED, TRIPLE CHROME PLATED VALVE BODY.
 - *POLISHED CHROME FINISH, TUBULAR BRASS SPOUTS.
 - *POLISHED CHROME FINISH, HIGH PRESSURE ZINC DIE-CAST HANDLES WITH STAINLESS STEEL SCREWS.

- MOUNTING:
- *1/2"-14 NPS MALE INLETS
 - *8" CENTERS, ADJUSTABLE ±1/4", WITH MOUNTING HARDWARE

- SYSTEM LIMITS:
- *TEMP: 40°F MIN. TO 140°F MAX
 - *PRESSURE 200 PSI MAX. STATIC
 - *1.8 GPM AT 80 PSI

APPROVALS:
DATE:

