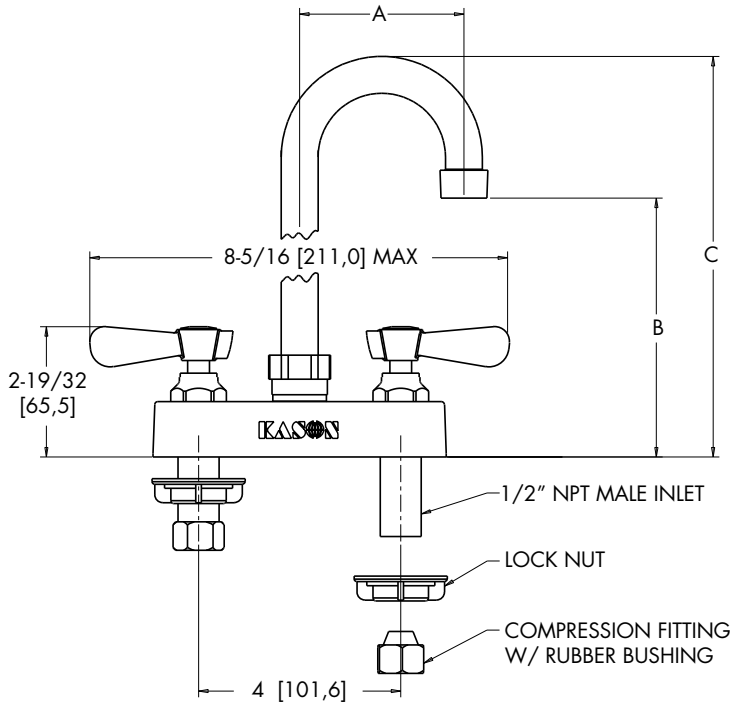




SERVING YOU SINCE 1926

KASON FOOD SERVICE 31-A AMLAJACK BLVD. NEWNAN, GA 30265
1-800-935-2766 WWW.KASONIND.COM



| MODEL | DIM "A" | DIM "B" | DIM "C" |
|-----------|---------|----------|----------|
| 456KL4801 | 3-1/2" | 5-3/8" | 8" |
| 456KL4802 | 6" | 5-9/16" | 11-3/16" |
| 456KL4803 | 8-1/2" | 8-15/16" | 14-5/16" |

ROUGH-IN: Ø 7/8" HOLES ON Ø 4" CENTERS

APPLICATION: _____

JOB NAME: _____

QUANTITY: _____ SPECIFIER NO: _____

PRODUCT NAME: 4" DECK MOUNT FAUCETS, SELECT LINE

SPECIAL CONFIGURATION
CHECK BASE MODEL AND OPTIONS

- MODEL:
- 456KL4801 W/ 3-1/2" GOOSENECK SWIVEL SPOUT
 - 456KL4802 W/ 6" GOOSENECK SWIVEL SPOUT
 - 456KL4803 W/ 8-1/2" GOOSENECK SWIVEL SPOUT

- OPTIONS OR MODIFICATIONS:
- SUPPLY LINES (24" OR 36" CIRCLE LENGTH)
 - INLET KIT
 - NIPPLES
 - ELBOWS
 - VANDAL RESISTANT KIT
 - HANDLES: CROSS STYLE
 - HANDLES: WRIST STYLE
 - CERAMIC CARTRIDGE
 - LOW FLOW AERATOR
 - SPOUT EXTENTIONS
 - OTHER _____

FEATURES:

- *ECONOMICAL, COMMERCIAL FAUCETS.
- *PROVIDE YEARS OF DEPENDABLE SERVICE.

MATERIALS:

- *POLISHED CHROME PLATED LOW LEAD BRASS ALLOY VALVE BODY AND SPOUT.
- *CHROME PLATED LOW LEAD BRASS ALLOY VALVE STEMS AND BONNETS.
- *POLISHED CHROME PLATED ZINC DIE-CAST HANDLES WITH STAINLESS STEEL SCREWS.

MOUNTING:

- *1/2"- 14 NPS MALE INLETS
- *Ø 7/8" MOUNTING HOLES
- *4" CENTERS WITH MOUNTING HARDWARE AND 3/8" COMPRESSION SLEEVES

SYSTEM LIMITS:

- *TEMP: 40°F MIN. TO 140°F MAX
- *PRESSURE 200 PSI MAX. STATIC
- *1.80 GPM AT 80 PSI

APPROVALS: _____

DATE: _____





SERVING YOU SINCE 1926

KASON FOOD SERVICE 31-A AMLAJACK BLVD. NEWNAN, GA 30265
1-800-935-2766 WWW.KASONIND.COM

APPLICATION:
JOB NAME:
QUANTITY: SPECIFIER NO:

PRODUCT NAME: 4" DECK MOUNT FAUCETS, SELECT LINE

SPECIAL CONFIGURATION
CHECK BASE MODEL AND OPTIONS

- MODEL:
- 456KL4006 W/ 6" SWIVEL SPOUT
 - 456KL4008 W/ 8" SWIVEL SPOUT
 - 456KL4010 W/ 10" SWIVEL SPOUT
 - 456KL4012 W/ 12" SWIVEL SPOUT
 - 456KL4014 W/ 14" SWIVEL SPOUT
 - 456KL4016 W/ 16" SWIVEL SPOUT
 - 456KL4118 W/ 18" SWIVEL SPOUT

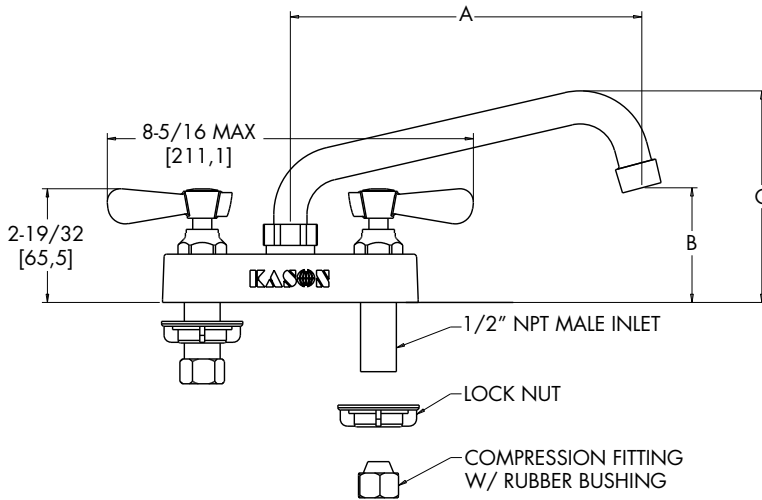
- OPTIONS OR MODIFICATIONS:
- SUPPLY LINES (24" OR 36" CIRCLE LENGTH)
 - INLET KIT
 - NIPPLES
 - ELBOWS
 - VANDAL RESISTANT KIT
 - HANDLES: CROSS STYLE
 - HANDLES: WRIST STYLE
 - CERAMIC CARTRIDGE
 - LOW FLOW AERATOR
 - SPOUT EXTENTIONS
 - OTHER _____

FEATURES:
*ECONOMICAL, COMMERCIAL FAUCETS.
*PROVIDE YEARS OF DEPENDABLE SERVICE.

MATERIALS:
*POLISHED CHROME PLATED LOW LEAD BRASS ALLOY VALVE BODY AND SPOUT.
*CHROME PLATED LOW LEAD BRASS ALLOY VALVE STEMS AND BONNETS.
*POLISHED CHROME PLATED ZINC DIE-CAST HANDLES WITH STAINLESS STEEL SCREWS.

MOUNTING:
*1/2"- 14 NPS MALE INLETS
*Ø 7/8" MOUNTING HOLES
*4" CENTERS WITH 3/8" COMPRESSION SLEEVES

SYSTEM LIMITS:
*TEMP: 40°F MIN. TO 140°F MAX
*PRESSURE 200 PSI MAX. STATIC
*1.8 GPM AT 80 PSI



| MODEL | DIM "A" | DIM "B" | DIM "C" |
|-----------|---------|----------|----------|
| 456KL4006 | 6" | 1-15/16" | 5-1/16" |
| 456KL4008 | 8" | 2-1/4" | 5-3/32" |
| 456KL4010 | 10" | 3-1/4" | 6" |
| 456KL4012 | 12" | 2-7/8" | 6-7/16" |
| 456KL4014 | 14" | 3-1/2" | 6-27/32" |
| 456KL4016 | 16" | 3-1/2" | 7-1/4" |
| 456KL4118 | 18" | 5-11/32" | 7-1/2" |

ROUGH-IN: Ø 7/8" HOLES ON Ø 4" CENTERS

APPROVALS:
DATE:



NSF-61/9-G