



SERVING YOU SINCE 1926

KASON FOOD SERVICE 31-A AMLAJACK BLVD. NEWNAN, GA 30265
1-800-935-2766 WWW.KASONIND.COM

APPLICATION:
JOB NAME:
QUANTITY: SPECIFIER NO:

PRODUCT NAME: 8" DECK MOUNT FAUCETS, SELECT LINE

SPECIAL CONFIGURATION
CHECK BASE MODEL AND OPTIONS

- MODEL:
- 456KL8001 W/ 3-1/2" GOOSENECK SWIVEL SPOUT
 - 456KL8002 W/ 6" GOOSENECK SWIVEL SPOUT
 - 456KL8003 W/ 8-1/2" GOOSENECK SWIVEL SPOUT

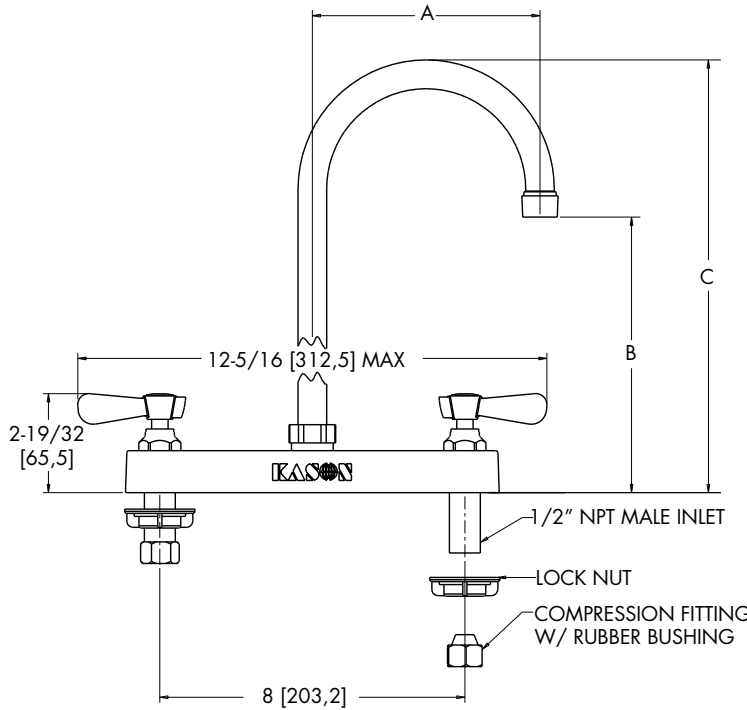
- OPTIONS OR MODIFICATIONS:
- SUPPLY LINES (24" OR 36" CIRCLE LENGTH)
 - INLET KIT
 - NIPPLES
 - ELBOWS
 - VANDAL RESISTANT KIT
 - HANDLES: CROSS STYLE
 - HANDLES: WRIST STYLE
 - CERAMIC CARTRIDGE
 - LOW FLOW AERATOR
 - SPOUT EXTENTIONS
 - OTHER _____

FEATURES:
*ECONOMICAL, COMMERCIAL FAUCETS.
*PROVIDE YEARS OF DEPENDABLE SERVICE.

MATERIALS:
*POLISHED CHROME PLATED LOW LEAD BRASS ALLOY VALVE BODY AND SPOUT.
*CHROME PLATED LOW LEAD BRASS ALLOY VALVE STEMS AND BONNETS.
*POLISHED CHROME PLATED ZINC DIE-CAST HANDLES WITH STAINLESS STEEL SCREWS.

MOUNTING:
*1/2"- 14 NPS MALE INLETS
*Ø 7/8" MOUNTING HOLES
*8" CENTERS WITH MOUNTING HARDWARE AND 3/8" COMPRESSION SLEEVES

SYSTEM LIMITS:
*TEMP: 40°F MIN. TO 140°F MAX
*PRESSURE 200 PSI MAX. STATIC
*1.80 GPM AT 800 PSI



MODEL	DIM "A"	DIM "B"	DIM "C"
456KL8001	3-1/2"	8-1/4"	5-1/2"
456KL8002	6"	9-1/4"	5-1/4"
456KL8003	8-1/2"	12"	6-1/2"

ROUGH-IN: Ø 7/8" HOLES ON Ø 8" CENTERS

APPROVALS:
DATE:





SERVING YOU SINCE 1926

KASON FOOD SERVICE 31-A AMLAJACK BLVD. NEWNAN, GA 30265
1-800-935-2766 WWW.KASONIND.COM

APPLICATION:
JOB NAME:
QUANTITY: SPECIFIER NO:

PRODUCT NAME: 8" DECK MOUNT FAUCETS, SELECT LINE

SPECIAL CONFIGURATION
CHECK BASE MODEL AND OPTIONS

MODEL:

- 456KL8006 W/ 6" SWIVEL SPOUT
- 456KL8008 W/ 8" SWIVEL SPOUT
- 456KL8010 W/ 10" SWIVEL SPOUT
- 456KL8012 W/ 12" SWIVEL SPOUT
- 456KL8014 W/ 14" SWIVEL SPOUT
- 456KL8016 W/ 16" SWIVEL SPOUT
- 456KL8118 W/ 18" SWIVEL SPOUT

OPTIONS OR MODIFICATIONS:

- SUPPLY LINES (24" OR 36" CIRCLE LENGTH)
- INLET KIT
- NIPPLES
- ELBOWS
- VANDAL RESISTANT KIT
- HANDLES: CROSS STYLE
- HANDLES: WRIST STYLE
- CERAMIC CARTRIDGE
- LOW FLOW AERATOR
- SPOUT EXTENTIONS
- OTHER _____

FEATURES:

- *ECONOMICAL, COMMERCIAL FAUCETS.
- *PROVIDE YEARS OF DEPENDABLE SERVICE.

MATERIALS:

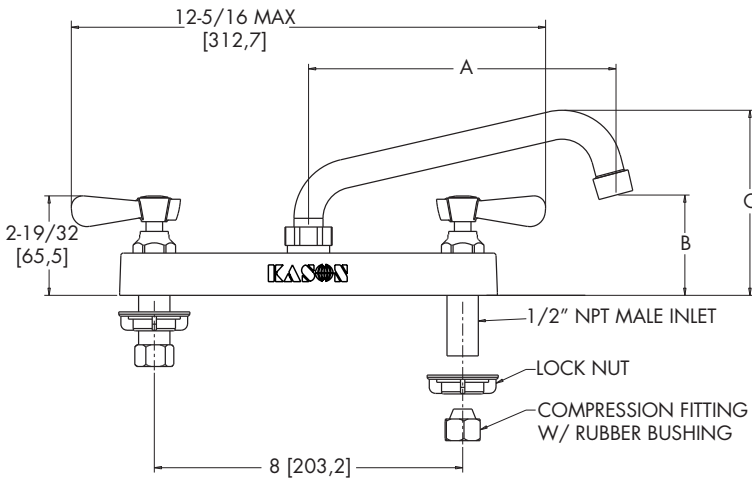
- *POLISHED CHROME PLATED LOW LEAD BRASS ALLOY VALVE BODY AND SPOUT.
- *CHROME PLATED LOW LEAD BRASS ALLOY VALVE STEMS AND BONNETS.
- *POLISHED CHROME PLATED ZINC DIE-CAST HANDLES WITH STAINLESS STEEL SCREWS.

MOUNTING:

- *1/2"- 14 NPS MALE INLETS
- *Ø 7/8" MOUNTING HOLES
- *8" CENTERS AND 3/8" COMPRESSION SLEEVES

SYSTEM LIMITS:

- *TEMP: 40°F MIN. TO 140°F MAX
- *PRESSURE 200 PSI MAX. STATIC
- *1.8 GPM AT 800 PSI



MODEL	DIM "A"	DIM "B"	DIM "C"
456KL8006	6"	1-15/16"	5-1/16"
456KL8008	8"	2-1/4"	5-3/32"
456KL8010	10"	3-1/4"	6"
456KL8012	12"	2-7/8"	6-7/16"
456KL8014	14"	3-1/2"	6-27/32"
456KL8016	16"	3-1/2"	7-1/4"
456KL8118	18"	5-11/32"	7-1/2"

ROUGH-IN: Ø 7/8" HOLES ON Ø 8" CENTERS

APPROVALS:
DATE:

