

**1229S Stainless Steel SafeGuard® Handle**

Part Number: 11229S\*



© Trademark 2,166,710; 5,272,931  
U.S. Patent D959,218

**FEATURES**

- Rugged, sanitary 316 stainless steel handle for use on walk-in coolers/freezers
- Both locking and non-locking model available in satin finish
- Cylinder locking model uses a 0948 Inside Release for emergency egress
- Can be locked and unlocked from inside the enclosure
- System functions regardless of door sag
- Standard order includes optional freezer kit

**MATERIALS**

- **Handle:** 316 Stainless steel, satin finish
- **Hole Plug:** Brass, chrome plated
- **Locking Cylinder:** Zamak #3, SAE #903, with stainless scalp and brass tumblers inside release
- **Shaft:** Zamak #3, SAE #903
- **Bearing, Washer, Connecting Rod:** Nylon
- **Mounting Flange:** Zamak #3, SAE #903
- **Locking lever, Washer, Center Screw, Ball and Spring:** 300 series stainless steel
- **Body:** Polycarbonate, FG/filled
- **Strike Plate:** Polypropylene
- **Freezer Cap:** Polyethylene

**DESIGN CRITERIA**

- Flush offset
- Handle accepts 1/4" cap screw
- Inside release accepts #10 flat head screw
- Standard for 4" door. Other sizes available
- **Temperature Range:** -30°F to 150°F (-34.4°C to 65.5°C)

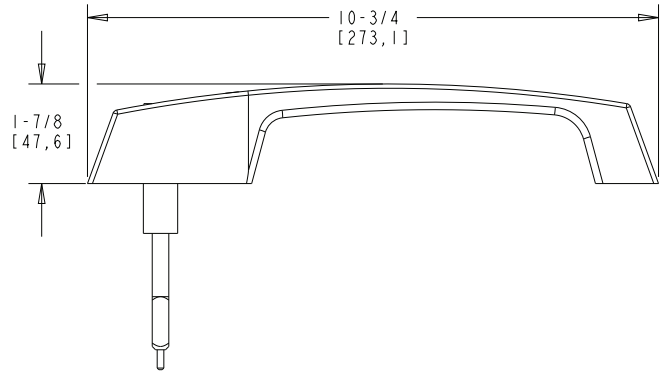
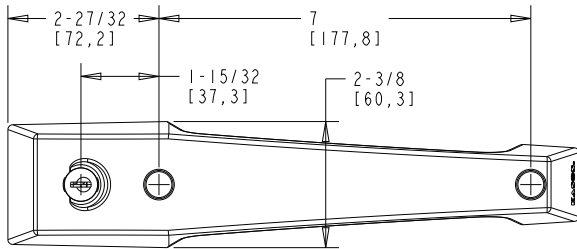
*Part No.	Description	Weight (lb)
11229S00004	Stainless Steel Non-Locking Pull Handle, Satin	2.38
11229SC0024XX	Stainless Steel Cylinder Locking Pull Handle with 948 Inside Release for 4" Door, Satin	3.19
90948001150117	6" Door Rod, Nylon	0.024

Cylinder models supplied with random key numbers unless otherwise ordered.  
To order specific key number substitute 11, 13, 14, or 16 for XX

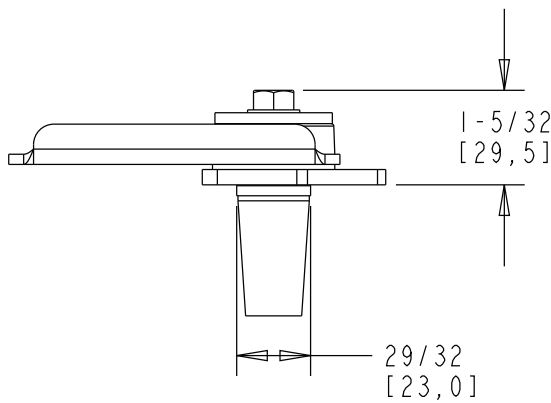


# 1229S Stainless Steel SafeGuard® Handle

Part Number: 11229S\*



948 Inside release (Left or right hand door application)



Glow Plate

