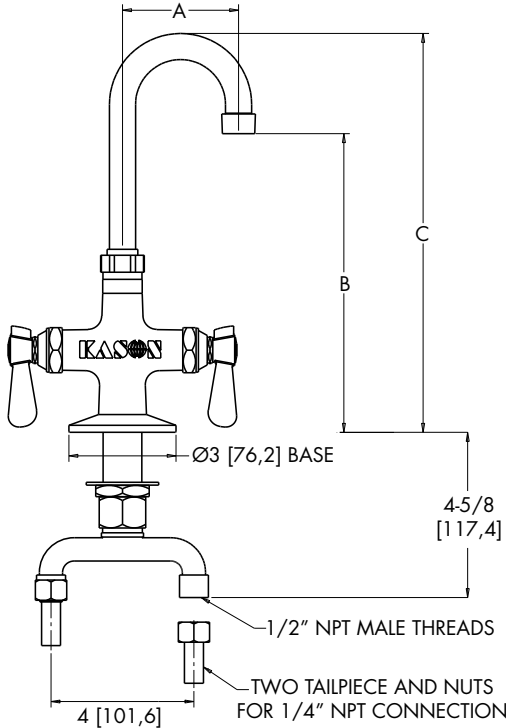




**SERVING YOU SINCE 1926**

KASON FOOD SERVICE 31-A AMLAJACK BLVD. NEWNAN, GA 30265  
1-800-935-2766 WWW.KASONIND.COM



MODEL	DIM "A"	DIM "B"	DIM "C"
452KL1001	3-1/2"	8-3/16"	11
452KL1002	6"	8-3/8"	11-9/16"
452KL1003	8-1/2"	11-3/4"	17"

ROUGH-IN: Ø 1-1/4" HOLES

APPLICATION:  
JOB NAME:  
QUANTITY: SPECIFIER NO:

PRODUCT NAME: DOUBLE PANTRY FAUCETS  
 SPECIAL CONFIGURATION CHECK BASE MODEL AND OPTIONS

MODEL:  
 452KL1001 W/ 3-1/2" GOOSENECK SWIVEL  
 452KL1002 W/ 6" GOOSENECK SWIVEL SPOUT  
 452KL1003 W/ 8-1/2" GOOSENECK SWIVEL SPOUT

OPTIONS OR MODIFICATIONS:  
 SUPPLY LINES (24" OR 36" CIRCLE LENGTH)  
 INLET KIT  
 NIPPLES  
 ELBOWS  
 VANDAL RESISTANT KIT  
 HANDLES: CROSS STYLE  
 HANDLES: WRIST STYLE  
 CERAMIC CARTRIDGE  
 LOW FLOW AERATOR  
 SPOUT EXTENTIONS  
 OTHER \_\_\_\_\_

FEATURES:  
\*SPECIFICATION GRADE FAUCETS FOR YEARS OF DEPENDABLE PERFORMANCE.  
\*RUGGED LOW LEAD BRASS ALLOY BODY WITH TRIPLE CHROME PLATE FINISH FOR LONG LIFE AND LOW MAINTENANCE.  
\*FITS DECKS UP TO 1-1/8" THICK.  
\*QUARTER TURN CERAMIC VALVES  
\*BUILT-IN CHECK VALVES.

MATERIALS:  
\*POLISHED, CHROME PLATED, LOW LEAD BRASS ALLOY FAUCET, BODY, STEM, AND SPOUT.  
\*POLISHED CHROME FINISHED HIGH PRESSURE DIE-CAST ZINC HANDLES WITH STAINLESS STEEL SCREWS.

MOUNTING:  
\*Ø 1-1/4" MOUNTING HOLE  
\*1/4" NPT INLETS

SYSTEM LIMITS:  
\*TEMP: 40°F MIN. TO 140°F MAX  
\*PRESSURE 200 PSI MAX. STATIC  
\*1.8 GPM AT 80 PSI

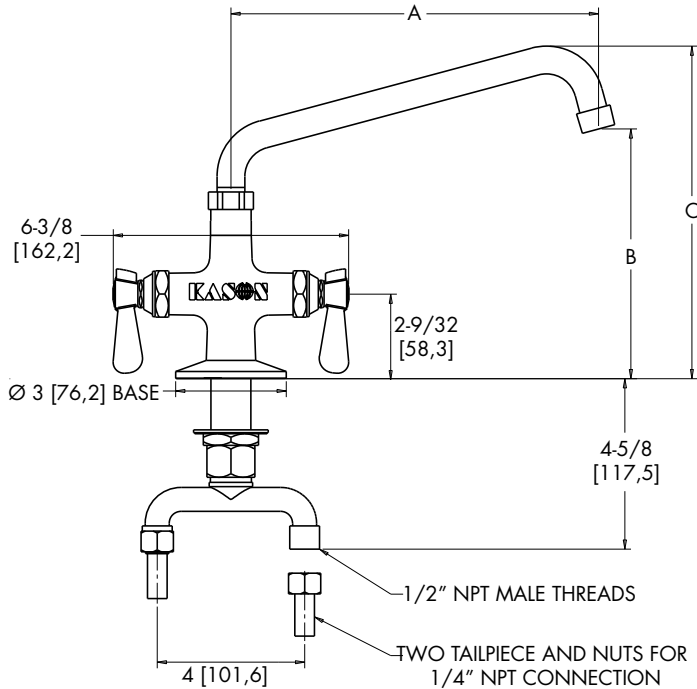
**APPROVALS:**  
**DATE:**





**SERVING YOU SINCE 1926**

KASON FOOD SERVICE 31-A AMLAJACK BLVD. NEWNAN, GA 30265  
1-800-935-2766 WWW.KASONIND.COM



MODEL	DIM "A"	DIM "B"	DIM "C"
452KL1006	6"	5-3/32"	7-7/32"
452KL1008	8"	5-11/16	7-25/32"
452KL1010	10"	6-7/8"	9-1/32"
452KL1012	12"	7"	9-5/32"
452KL1014	14"	7-7/16"	9-9/16"
452KL1016	16"	7-27/32"	10"
452KL1018	18"	8-1/2"	10-5/8"

ROUGH-IN: Ø 1-1/4" HOLES

APPLICATION:  
JOB NAME:  
QUANTITY: SPECIFIER NO:

PRODUCT NAME: DOUBLE PANTRY FAUCETS  
 SPECIAL CONFIGURATION CHECK BASE MODEL AND OPTIONS

MODEL:  
 452KL1006 W/ 6" SWIVEL SPOUT  
 452KL1008 W/ 8" SWIVEL SPOUT  
 452KL1010 W/ 10" SWIVEL SPOUT  
 452KL1012 W/ 12" SWIVEL SPOUT  
 452KL1014 W/ 14" SWIVEL SPOUT  
 452KL1016 W/ 16" SWIVEL SPOUT  
 452KL1018 W/ 18" DOUBLE-JOINTED SWIVEL SPOUT

OPTIONS OR MODIFICATIONS:  
 SUPPLY LINES (24" OR 36" CIRCLE LENGTH)  
 INLET KIT  
 NIPPLES  
 ELBOWS  
 VANDAL RESISTANT KIT  
 HANDLES: CROSS STYLE  
 HANDLES: WRIST STYLE  
 CERAMIC CARTRIDGE  
 LOW FLOW AERATOR  
 SPOUT EXTENTIONS  
 OTHER \_\_\_\_\_

FEATURES:  
 \*SPECIFICATION GRADE FAUCETS FOR YEARS OF DEPENDABLE PERFORMANCE.  
 \*RUGGED LOW LEAD BRASS ALLOY BODY WITH TRIPLE CHROME PLATE FINISH FOR LONG LIFE AND LOW MAINTENANCE.  
 \*FITS DECKS UP TO 1-1/8" THICK.  
 \*QUARTER TURN CERAMIC VALVES  
 \*BUILT-IN CHECK VALVES.

MATERIALS:  
 \*POLISHED, CHROME PLATED, LOW LEAD BRASS ALLOY FAUCET, BODY, STEM, AND SPOUT.  
 \*POLISHED CHROME FINISHED HIGH PRESSURE DIE-CAST ZINC HANDLES WITH STAINLESS STEEL SCREWS.

MOUNTING:  
 \*Ø 1-1/4" MOUNTING HOLE  
 \*1/4" NPT INLETS

SYSTEM LIMITS:  
 \*TEMP: 40°F MIN. TO 140°F MAX  
 \*PRESSURE 200 PSI MAX. STATIC  
 \*1.8 GPM AT 80 PSI

APPROVALS:  
DATE:

