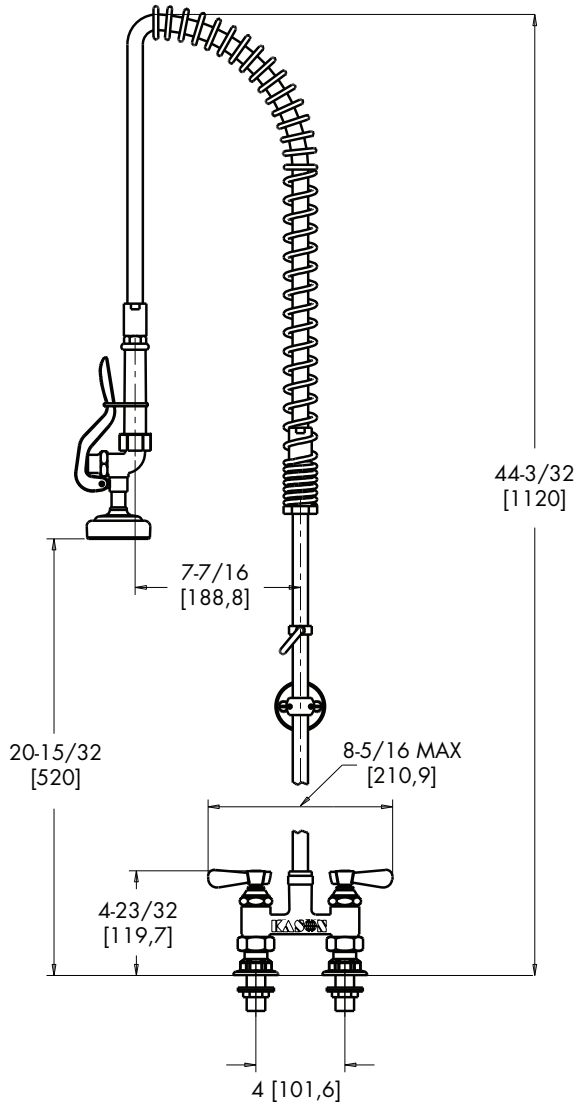




**SERVING YOU SINCE 1926**

KASON FOOD SERVICE 31-A AMLAJACK BLVD. NEWNAN, GA 30265  
1-800-935-2766 WWW.KASONIND.COM



ROUGH-IN:  $\varnothing$  7/8" HOLES ON  $\varnothing$  4" CENTERS

<sup>1</sup>PATHOGUARD TREATED PRODUCTS HELPS PREVENT ODOR, STAINING, AND DETERIORATION OF PRODUCT BY NON PUBLIC HEALTH MOLD, BACTERIA, AND FUNGUS. REGULAR CLEANING AND SANITAZTION PRACTICES ARE REQUIRED IF PUBLIC HEALTH IS A CONCERN.

APPLICATION:  
JOB NAME:  
QUANTITY: SPECIFIER NO:

PRODUCT NAME: 4" DECK MOUNT PRE-RINSE  
 SPECIAL CONFIGURATION CHECK BASE MODEL AND OPTIONS

MODEL:  
 452KL4500 4" DECK MOUNT PRE-RINSE

OPTIONS OR MODIFICATIONS:

<input type="checkbox"/> SUPPLY LINES (24" OR 36" CIRCLE LENGTH)	<input type="checkbox"/> CERAMIC CARTRIDGE
<input type="checkbox"/> INLET KIT	<input type="checkbox"/> VACUUM BREAKER
<input type="checkbox"/> NIPPLES	<input type="checkbox"/> ADD-ON FAUCET
<input type="checkbox"/> ELBOWS	<input type="checkbox"/> LONGER HOSE LENGTH _____
<input type="checkbox"/> HANDLES: CROSS STYLE	<input type="checkbox"/> RISER LENGTH _____
<input type="checkbox"/> HANDLES: WRIST STYLE	<input type="checkbox"/> OTHER _____

FEATURES:

- \* INSTITUTIONAL QUALITY, HEAVY DUTY PRE-RINSE UNITS.
- \* RUGGED LOW LEAD BRASS ALLOY BODY WITH TRIPLE CHROME PLATE FINISH AND STAINLESS STEEL COVERED HOSE FOR LONG LIFE AND LOW MAINTENANCE.
- \* LOW LEAD BRASS VALVE STEM AND SEAT USE URETHANE BIBB TYPE WASHER.
- \* BRASS INSERT IN HOSE HANDLE.
- \* PATHOGUARD™ ANTIMICORBIAL TREATMENT PROTECTS GRIP AND HANDLE FROM DETERIORATION, ODORS OR COLOR CHANGE CAUSED BY THE GROWTH OF BACTERIA OR MOLDS.<sup>1</sup>
- \* COMPLETE WITH 12" WALL BRACKET.

MATERIALS:

- \* POLISHED, CHROME PLATED, LOW LEAD BRASS ALLOY FAUCET, BODY, STEM, AND SPOUT.
- \* POLISHED CHROME FINISHED HIGH PRESSURE DIE-CAST ZINC HANDLES WITH STAINLESS STEEL SCREWS.

SPRAY UNIT:

- \* POLISHED CHROME PLATED BODY, BONNET AND NOZZLE.
- \* PATHOGUARD™ ANTIMICROBIAL POLYMER GRIP AND HANDLE WITH BRASS INSERT.<sup>1</sup>
- \* 42" FLEXIBLE SANTOPRENE HOSE WITH STAINLESS STEEL COVER.
- \* STANDARD UNIT INCLUDES 1.6 GPM AND 1.2 GPM SPRAY HEADS.

MOUNTING:

- \* 1/2"-14 NPS FEMALE ECCENTRIC INLETS
- \*  $\varnothing$  7/8" MOUNTING HOLES
- \* 8" CENTERS

SYSTEM LIMITS:

- \* TEMP: 40°F MIN. TO 140°F MAX
- \* PRESSURE 200 PSI MAX. STATIC

**APPROVALS:**

**DATE:**



C US  
ASME A12.18.1/CSA B125.1  
NSF-61/9G