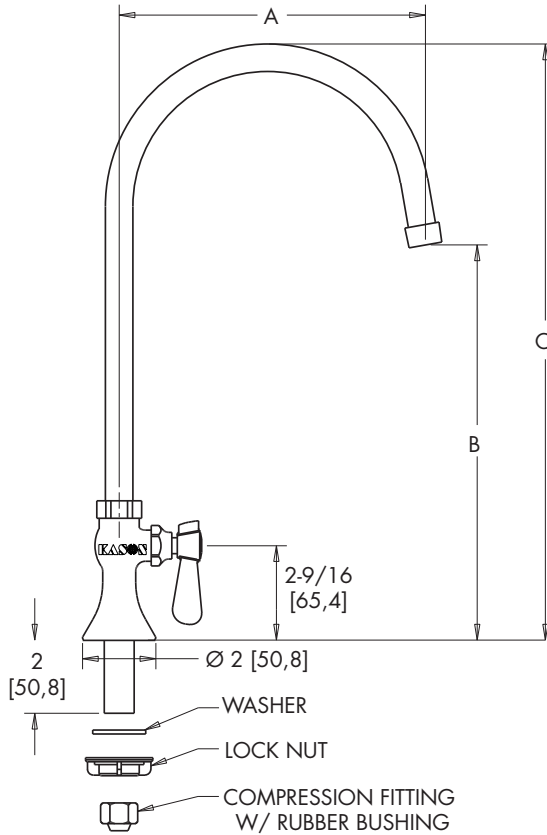




SERVING YOU SINCE 1926

KASON FOOD SERVICE 31-A AMLAJACK BLVD. NEWNAN, GA 30265
1-800-935-2766 WWW.KASONIND.COM



MODEL	DIM "A"	DIM "B"	DIM "C"
456KL2001	3-1/2"	7-5/8"	10-7/16"
456KL2002	6"	9-11/32"	13-7/16"
456KL2003	8-1/2"	11-25/32"	16-9/32"

ROUGH-IN: Ø 7/8" HOLE

APPLICATION:
JOB NAME:
QUANTITY: SPECIFIER NO:

PRODUCT NAME: DECK MOUNT SINGLE PANTRY FAUCETS, SELECT LINE

SPECIAL CONFIGURATION CHECK BASE MODEL AND OPTIONS

- MODEL:
- 456KL2001 W/ 3-1/2" GOOSENECK SWIVEL SPOUT
 - 456KL2002 W/ 6" GOOSENECK SWIVEL SPOUT
 - 456KL2003 W/ 8-1/2" GOOSENECK SWIVEL SPOUT

- OPTIONS OR MODIFICATIONS:
- SUPPLY LINES (24" OR 36" CIRCLE LENGTH)
 - INLET KIT
 - NIPPLES
 - ELBOWS
 - VANDAL RESISTANT KIT
 - HANDLES: CROSS STYLE
 - HANDLES: WRIST STYLE
 - CERAMIC CARTRIDGE
 - LOW FLOW AERATOR
 - SPOUT EXTENTIONS
 - OTHER _____

FEATURES:

- *COMMERCIAL GRADE FAUCETS FOR YEARS OF DEPENDABLE SERVICE.
- *RUGGED LOW LEAD BRASS ALLOY BODY WITH TRIPLE CHROME PLATE FINISH FOR LONG LIFE AND LOW MAINTENANCE.
- *LOW LEAD BRASS VALVE STEM AND SEAT USE URETHANE BIBB TYPE WASHER.

MATERIALS:

- *POLISHED, CHROME PLATED, LOW LEAD BRASS ALLOY FAUCET, BODY, STEM, AND SPOUT.
- *POLISHED CHROME FINISHED HIGH PRESSURE DIE-CAST ZINC HANDLES WITH STAINLESS STEEL SCREWS.

MOUNTING:

- *1/2-14 NPS MALE INLET
- *Ø 7/8" MOUNTING HOLE

SYSTEM LIMITS:

- *TEMP: 40°F MIN. TO 140°F MAX
- *PRESSURE 200 PSI MAX. STATIC
- *1.80 GPM AT 80 PSI

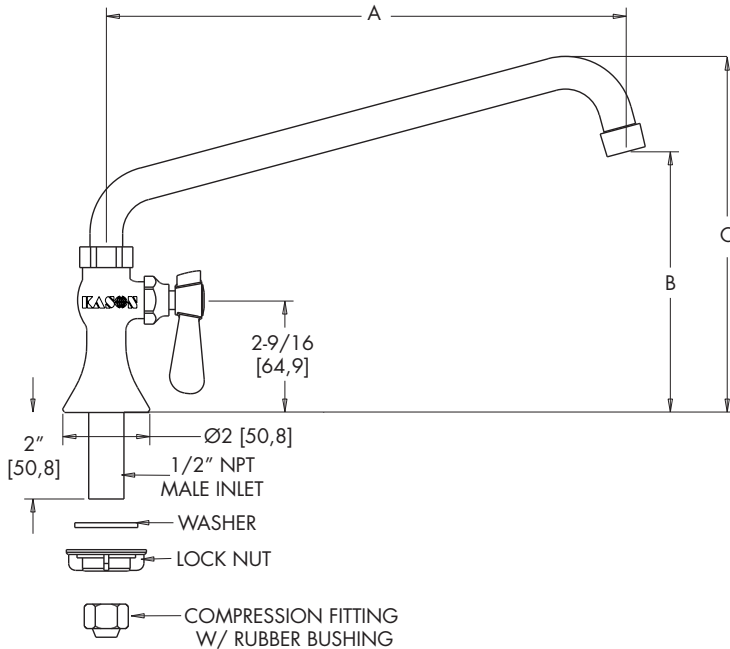
APPROVALS:
DATE:





SERVING YOU SINCE 1926

KASON FOOD SERVICE 31-A AMLAJACK BLVD. NEWNAN, GA 30265
1-800-935-2766 WWW.KASONIND.COM



MODEL	DIM "A"	DIM "B"	DIM "C"
456KL2006	6"	4-7/8"	6-1/16"
456KL2008	8"	5-1/8"	6-27/32"
456KL2010	10"	6-1/8"	7-3/4"
456KL2012	12"	5-7/8"	7-13/16"
456KL2014	14"	6-1/2"	8-5/8"
456KL2016	16"	6-1/2"	9-1/32"
456KL2018	18"	7-21/32"	9-25/32"
ROUGH-IN: Ø 7/8" HOLES			

APPLICATION:

JOB NAME:

QUANTITY:

SPECIFIER NO:

PRODUCT NAME: DECK MOUNT SINGLE PANTRY FAUCETS, SELECT LINE

SPECIAL CONFIGURATION CHECK BASE MODEL AND OPTIONS

MODEL:

- 456KL2006 W/ 6" SWIVEL SPOUT
- 456KL2008 W/ 8" SWIVEL SPOUT
- 456KL2010 W/ 10" SWIVEL SPOUT
- 456KL2012 W/ 12" SWIVEL SPOUT
- 456KL2014 W/ 14" SWIVEL SPOUT
- 456KL2016 W/ 16" SWIVEL SPOUT
- 456KL2118 W/18" SWIVEL SPOUT

OPTIONS OR MODIFICATIONS:

- SUPPLY LINES (24" OR 36" CIRCLE LENGTH)
- HANDLES: CROSS STYLE
- INLET KIT
- HANDLES: WRIST STYLE
- NIPPLES
- CERAMIC CARTRIDGE
- ELBOWS
- LOW FLOW AERATOR
- VANDAL RESISTANT KIT
- SPOUT EXTENTIONS
- OTHER _____

FEATURES:

- *COMMERCIAL GRADE FAUCETS FOR YEARS OF DEPENDABLE SERVICE.
- *RUGGED LOW LEAD BRASS ALLOY BODY WITH TRIPLE CHROME PLATE FINISH FOR LONG LIFE AND LOW MAINTENANCE.
- *LOW LEAD BRASS VALVE STEM AND SEAT USE URETHANE BIBB TYPE WASHER.

MATERIALS:

- *POLISHED, CHROME PLATED, LOW LEAD BRASS ALLOY FAUCET, BODY, STEM, AND SPOUT
- *POLISHED CHROME FINISHED HIGH PRESSURE DIE-CAST ZINC HANDLES WITH STAINLESS STEEL SCREWS

MOUNTING:

- *1/2-14 NPS MALE INLET
- *Ø 7/8" MOUNTING HOLE

SYSTEM LIMITS:

- *TEMP: 40°F MIN. TO 140°F MAX
- *PRESSURE 200 PSI MAX. STATIC
- *2.20 GPM AT 80 PSI

APPROVALS:

DATE:

