



Project Name _____
 Location _____
 IDN# _____ Quantity _____
 Catalog# _____

Toilet Jack

Part Number: 9000TJ

FEATURES

- Wall Mounted Toilet Support
- Increases weight capacity of a wall-mounted toilet from 300 pounds to 1,000 pounds
- Stabilizes and reduces leaks when installed properly
- Quickly and easily installs right out of the box
- Mounts discreetly under most manufacturers wall mounted toilets, providing additional vertical support
- Specially engineered leg can be raised (up to 2") to maintain the cleaning ability of a wall mounted fixture

SPECIFICATIONS

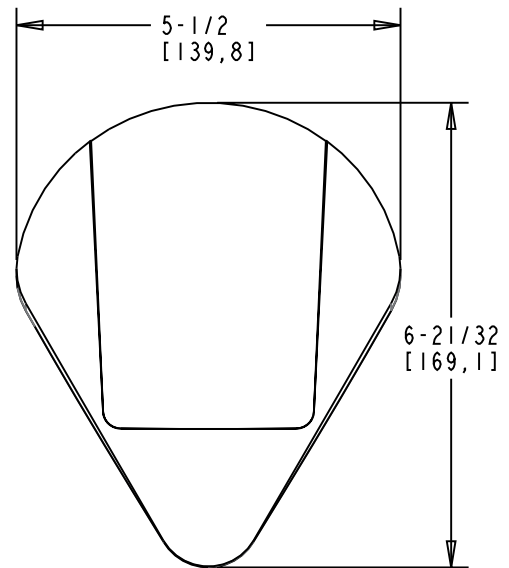
- Latex free
- Made of stainless steel and silicone
- Available for standard height and ADA height toilets
- Meets or exceeds guidelines for:
 ASME/ANSI Z124.5
 CSA/IAPMO/UPC & JCAHO
- Made in the USA



US Patent Number: 7,421,745

Model No.	Description	Packaging
9000TJ1000	Toilet Jack Leg, 4" (For Standard Height)	1 per carton
9000TJ2000	Toilet Jack Leg, 6" (For ADA Handicap Height)	1 per carton
9000TJ3000	Toilet Jack Leg, Telescoping	1 per carton

Includes silicone for installation



Approvals

Date