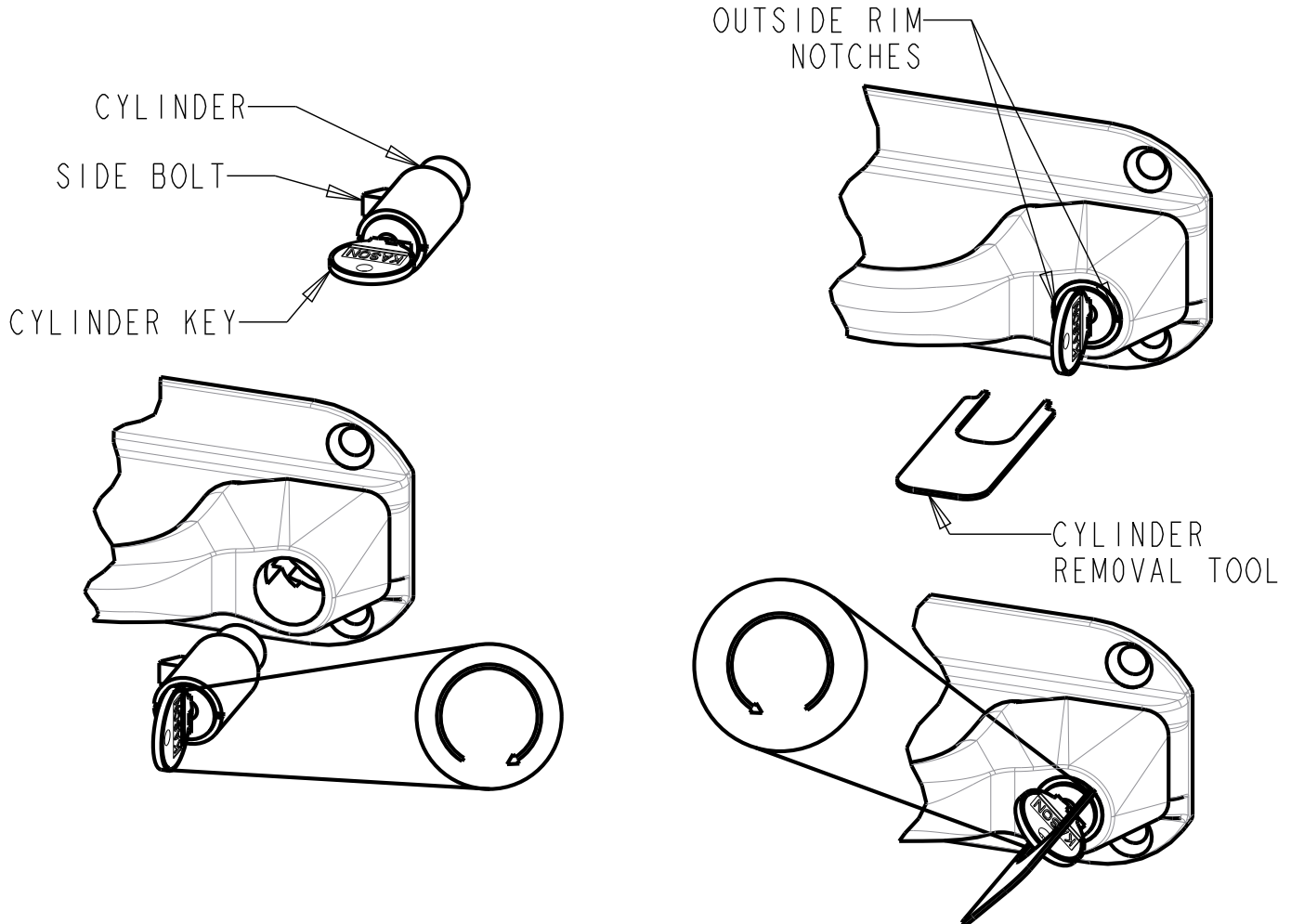


## Removable Cylinder

0368, 3001, 3022, 3168 Handles with 0060 Series Cylinders



### INSTALLATION OF REMOVABLE CYLINDER INTO HANDLE

1. Rotate key 90° clockwise.
2. Press side bolt in, flush with body of lock cylinder.
3. Push cylinder fully into handle with side bolt towards the handle until cylinder bottoms out.
4. When cylinder bottoms out, rotate slightly until the side bolt engages with the slot inside the handle so the cylinder no longer rotates.
5. Remove key.

### REMOVAL OF THE CYLINDER

1. Rotate the key 90° clockwise as if you were unlocking the handle and hold key in that position.
2. Push cylinder into the handle, holding the key at 90°.
3. With your other hand, insert removal tool into notches on outside rim of lock cylinder.
4. While maintaining slight pressure on key to keep it rotated, rotate the lock cylinder and removal tool 90° in the counter-clockwise direction.
5. The spring inside the handle will push the lock cylinder the remaining way out of the handle.
6. Remove the lock cylinder by hand.