

1253 Oblique Cam-Rise Hinge

Part Number: 11253*

FEATURES

- Designed to quickly lift sweeper gasket on opening to increase gasket life
- Smooth operation increases closing force without internal spring
- Spring kit option available to increase closing momentum
- Reversible for Left/Right hand door openings
- Built in dwell holds door open after 120° rotation
- Door lifts off without disassembly or removal of hinges
- Upper and lower hinge sold separately
- **Finishes:** chrome, brushed chrome or powder coated

MATERIALS

- **Flange, Strap:** Zinc zamak #3, chrome plated
- **Cam, Follower:** Nylon, 6/6 compound
- **End Cap:** Polyethylene
- **Hex Rod:** Steel, Zinc plated
- **O-Ring:** Rubber compound

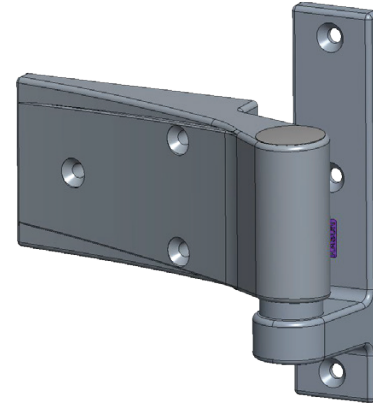
DESIGN CRITERIA

- Safe working load of 3990 in-lb resisting moment per pair; [Group 'D' on Kason Industries Hinge Selection Chart](#) (Example: 220 lb, weight for a 36" door = 220 x 36/2 = 3960 in-lb (OK))
- Dwell beyond 120°
- 250,000 cycles by test without any significant wear
- Accept 1/4" (6 mm) flat or oval head fasteners
- **Temperature Rating:** -20°F to 150°F (-28.9°C to 65.5°C)

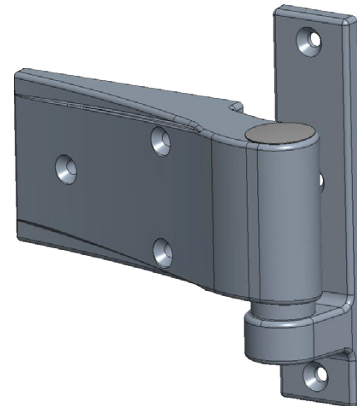
| *Part No. | Description | Finish |
|-------------|-------------------|-----------------|
| 11253000002 | Lower Right Hand† | Brushed Chrome |
| 11253000004 | Upper Right Hand† | Brushed Chrome |
| 11253000006 | Lower Right Hand† | Polished Chrome |
| 11253000008 | Upper Right Hand† | Polished Chrome |
| 11255000001 | Spring Kit | Brushed Chrome |
| 11255000003 | Spring Kit | Polished Chrome |

†Arrives right hand hinged standard; easily converts to left hand hinged

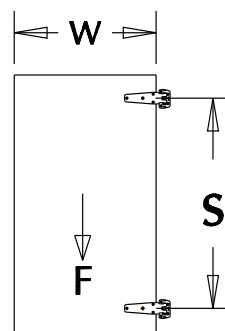
1253-2



1253-4



Safe Working Load Formula



W = Door width, inch
 F = Door weight, lb
 M = Moment on hinge, in-lb
 (F x W/2 = 3990 in-lb)
 S = Suggested minimum hinge spacing (1.5 W)



1253 Oblique Cam-Rise Hinge

Part Number: 11253*

Lower Hinge

Upper Hinge

