

## 0036-485-340 Padlocking Hasp, Flush, Dual Post w/ Quarter Turn Latch

Part Number: 10036485340

### ⚠ CAUTION

To protect against human entrapment periodically check function of inside release assembly.

### DIRECTIONS

1. Start installation by drilling a  $\text{Ø}5/8"$  hole through the jamb, 1-1/16" to 1-1/8" from the edge of the door gap. Drill from the exterior through the interior. (Fig. 1)
2. Drill a  $\text{Ø}15/16"$  hole, 3-1/2" from the first hole, and 1" deep into the door. This hole must be level with the first. (Fig. 1)
3. Enlarge the  $\text{Ø}5/8"$  hole on the interior of the jamb to  $\text{Ø}7/8"$  to a depth of 1-1/2" (Fig. 2)
4. Enlarge the  $\text{Ø}5/8"$  hole on the exterior of the jamb to  $\text{Ø}3/4"$  to a depth of 1/2". (Fig. 2)
5. Insert the 0036-703-54 Post through the 0036-315-95 mounting plate, located on the exterior of the jamb, centered in the hole, oriented so the padlock hole is horizontal. (Fig. 2) Ensure post is aligned and engages with the 0485 ISR assembly.

**Note:** When required for special offsets, mount spacer 0485-99-117 under escutcheon plate. Longer screws may be required.

6. Mark, drill, and tap the two mounting plate holes for #10 screws (not provided) and fasten to jamb. (Fig. 4)
7. From the inside, insert the 0485 ISR assembly through the hole and slide the Post through the Mounting Plate on the jamb until snug. Turn the red knob to lock in place.  
**IMPORTANT:** See (Fig. 5) for orientation of the 0485 ISR lever, pointing up for right hand door, and point down for left hand door. Attach using No. 10 screws. (Fig. 4)
8. Assemble the second post. (Fig. 3)
9. Insert assembly into door, mark, drill, and tap the mounting holes for #10 screws and fasten to door. (Fig. 4)
10. Apply safety and instruction labels. (Fig. 5)
11. Check function of assembly by locking door with padlock. Release the door using the inside release lever, and push door open.
12. Repeat function check periodically.

**Note:** Backing plates within the door and jamb are recommended. #10 screws are required for mounting inside release and Padlock posts. Tamperproof screws are recommended. (not provided)

FIG. 1 (Right Hand Door Shown)

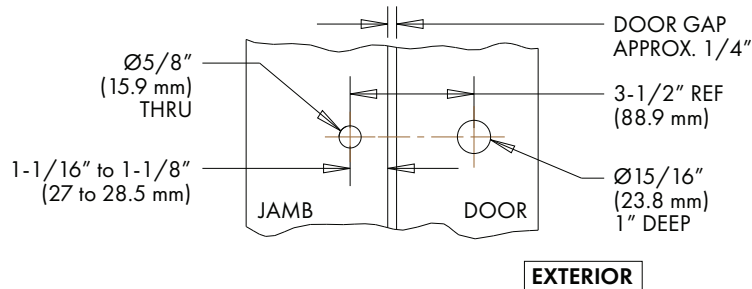
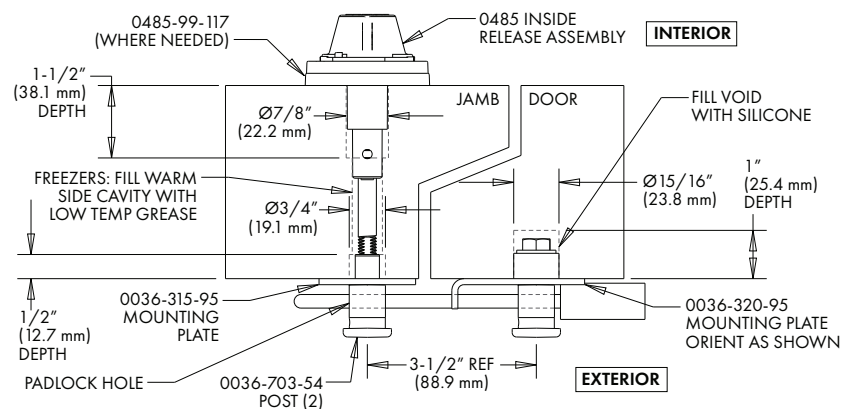


FIG. 2 (Right Hand Door Shown)



## 0036-485-340 Padlocking Hasp, Flush, Dual Post w/ Quarter Turn Latch

Part Number: 10036485340

FIG. 3 (Right Hand Door Shown)

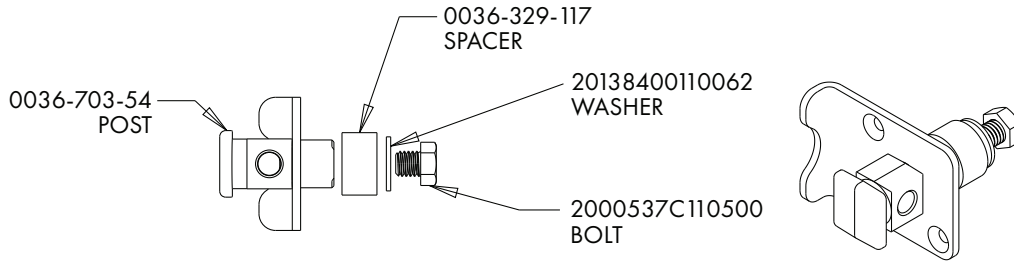


FIG. 4 (Right Hand Door Shown)

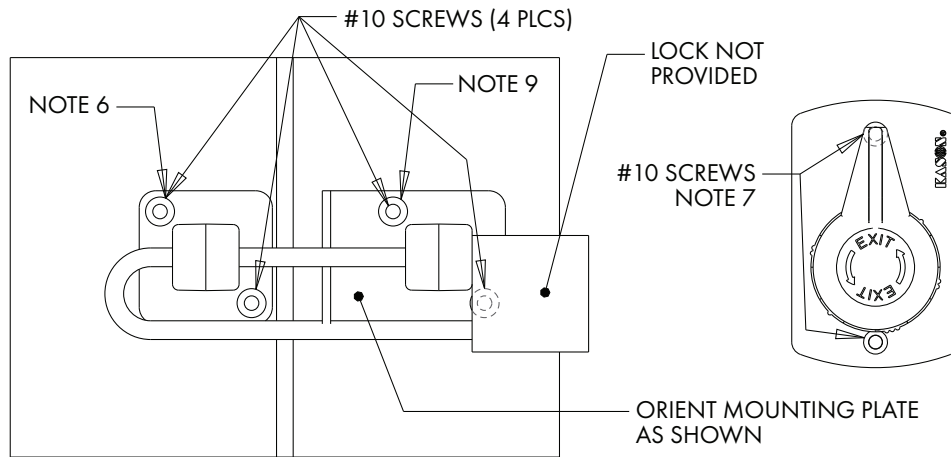


FIG. 5

