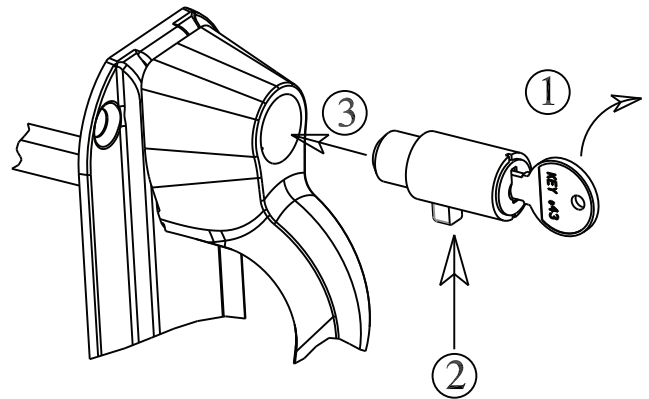


0062 Cylinder Lock Series

Part Number: 90062PS/SS*

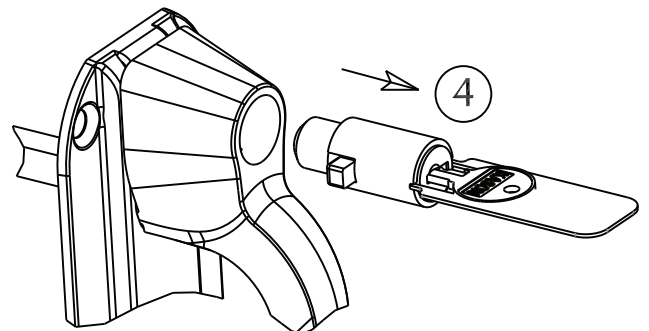
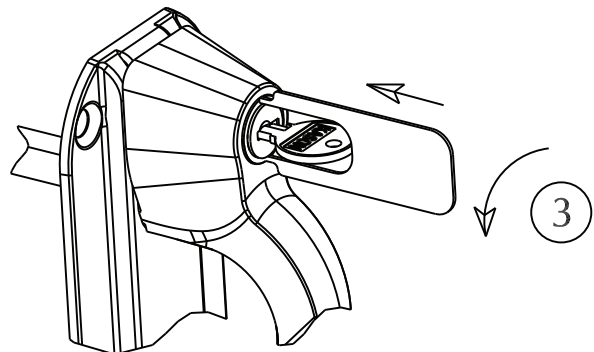
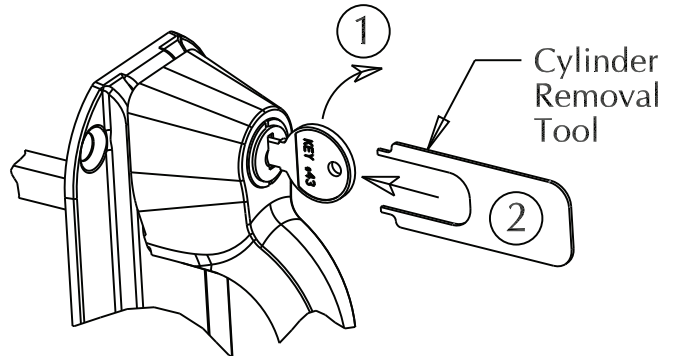
INSTALLATION OF CYLINDER

1. Insert key in cylinder and rotate 90° clockwise. Hold the locking bolt flush with the body of the lock cylinder.
2. Depress locking bolt and orient it to point toward the grab area of the handle.
3. Insert the lock cylinder into the handle and push until the locking bolt snaps into the handle.



REMOVAL OF CYLINDER

1. Insert key into cylinder and turn key clockwise 90° to unlock. Hold in that position.
2. Place removal tool into the slots on the front face of the cylinder.
3. Push cylinder into the handle until the cylinder bottoms out in the handle. Turn the removal tool and cylinder counter clockwise 90°.
4. Release the removal tool and allow the internal spring to push cylinder out. Remove it from the handle.



Part No.	Description
13001005980035	Cylinder Removal Tool