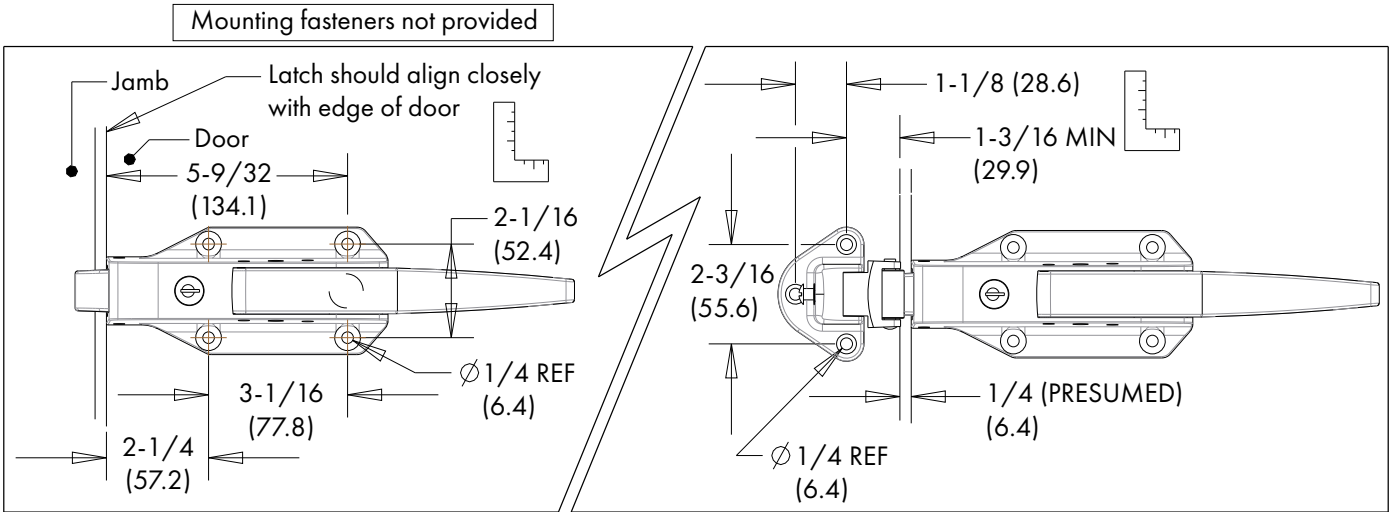
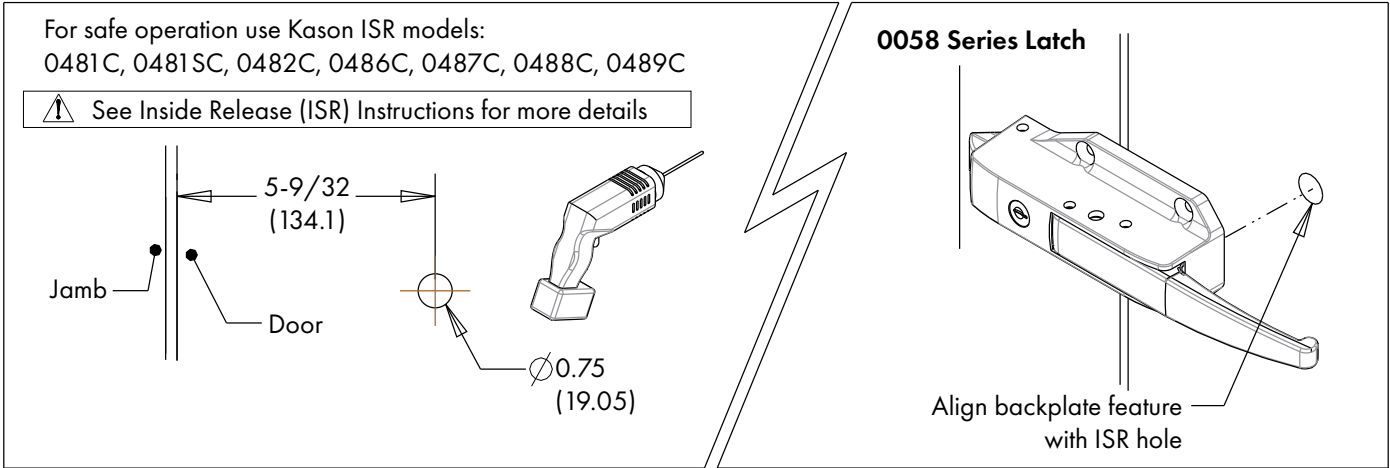


0077 SafeGuard® Rolling Radial Latch

Part Number: 10077*

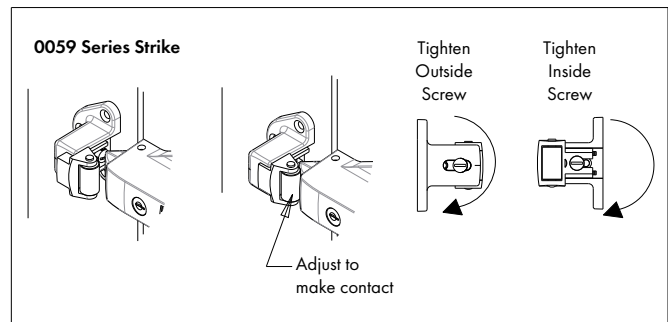
⚠ CAUTION

Do not lock the latch when closing the door.



Part No.*	Description	Finish
10077CL0004C	Cylinder Locking, Light Spring -1/8" to 1/4" (-3.2 to 6.4 mm)	Polished Chrome
10077CL0008C	Cylinder Locking, Light Spring 3/4" to 1-5/8" (19 to 41.3 mm)	Polished Chrome
10077CL0012C	Cylinder Locking, Light Spring 1-3/4" to 2-1/2" (44.5 to 63.5 mm)	Polished Chrome
10077L00004C	Non-Cylinder Latch, Light Spring -1/8" to 1/4" (-3.2 to 6.4 mm)	Polished Chrome
10077L00008C	Non-Cylinder Latch, Light Spring 3/4" to 1-5/8" (19 to 41.3 mm)	Polished Chrome
10077L00012C	Non-Cylinder Latch, Light Spring 1-3/4" to 2-1/2" (44.5 to 63.5 mm)	Polished Chrome

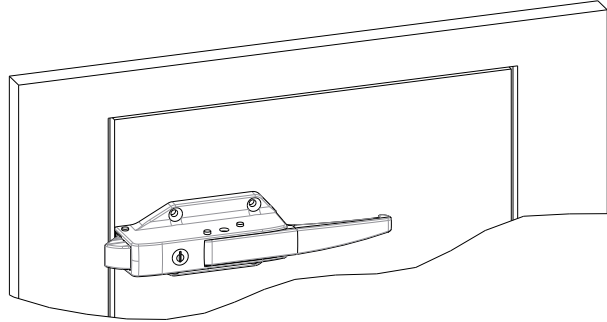
Note: Other finishes, springs available



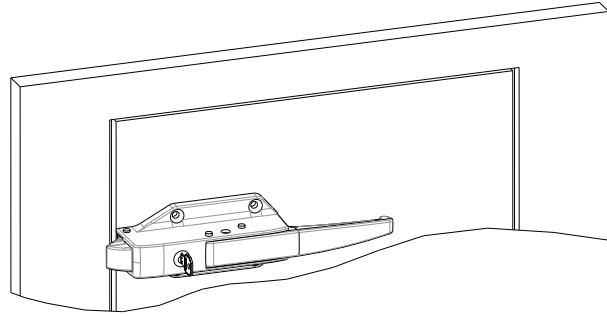
0077 SafeGuard® Rolling Radial Latch

Part Number: 10077*

1. Close Door



2. Lock Latch



3. Unlock Latch
4. Open Door
5. Leave the Latch Unlocked

