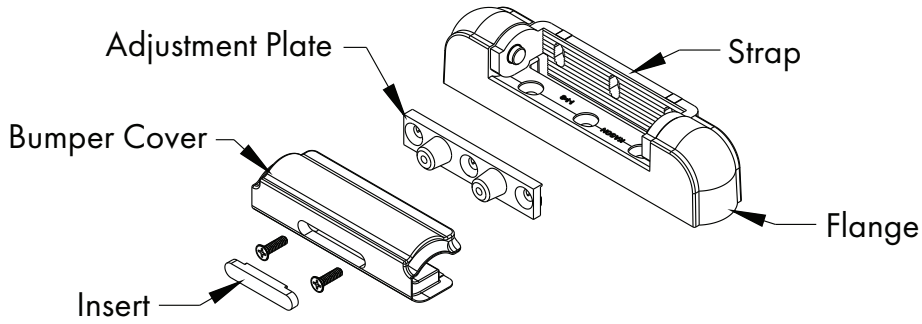


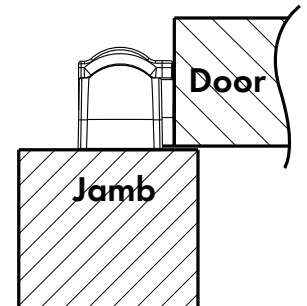
## 0214SB/0217SB Stop Bumper Hinge

Part Number: 10214SB\* / 10217SB\*

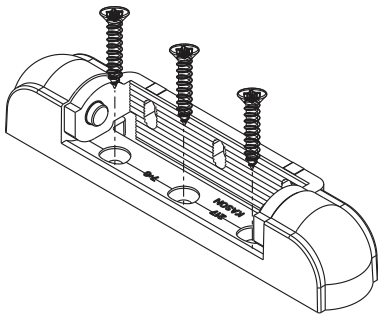
### DIRECTIONS



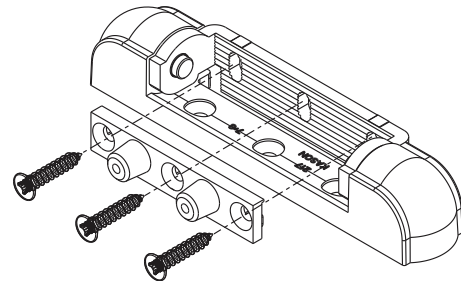
### Install Orientation



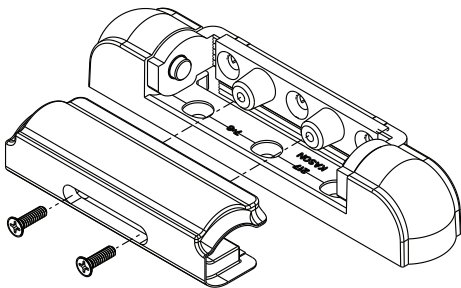
1. Mount hinge flange to frame using (3) No. 10 flat head screws (not included)



2. Mount strap to door using adjustment plate with (3) No. 10 flat head screws (not included)



3. Snap bumper cover over adjustment plate and secure using the (2) supplied screws



4. Finish by pressing cover insert into place

