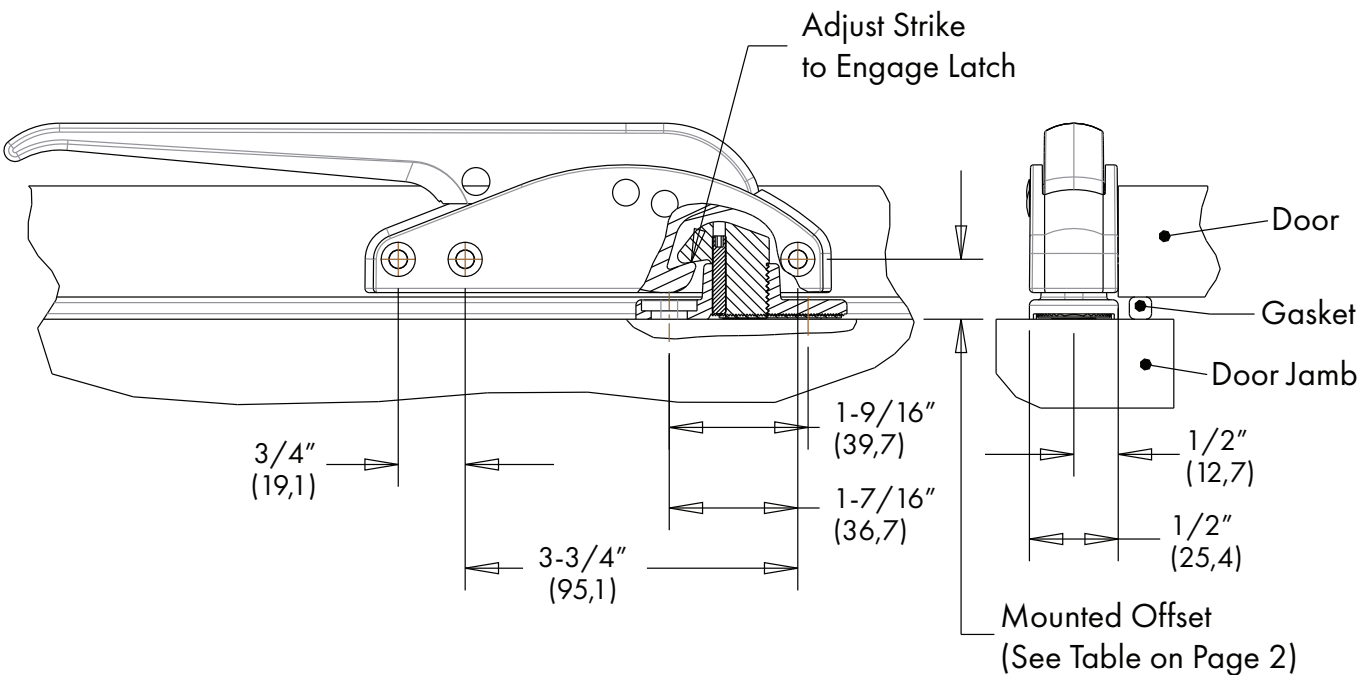
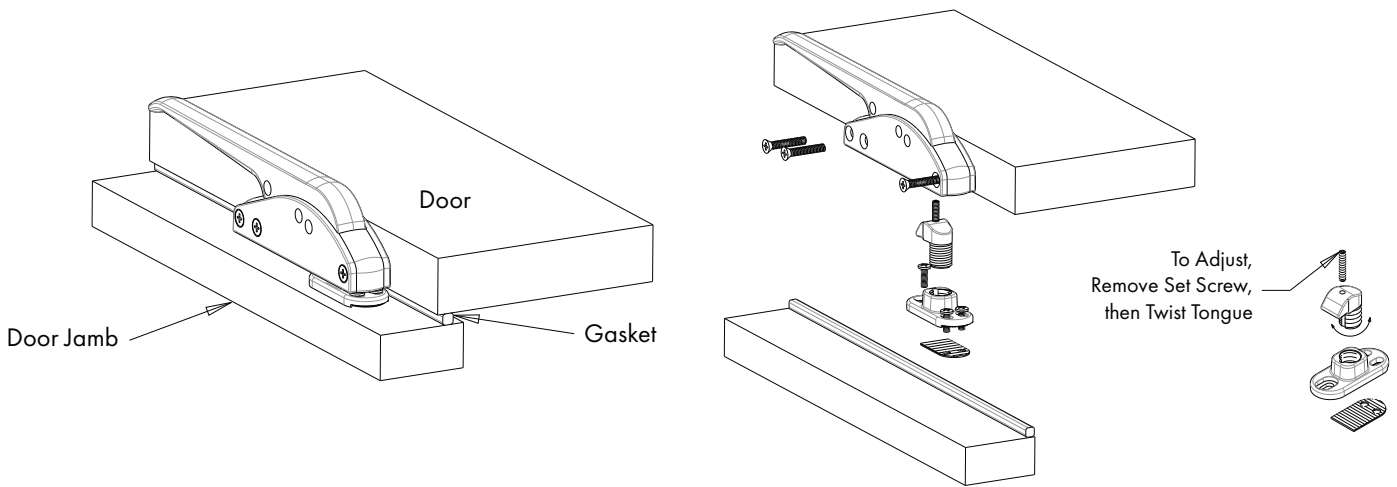


0533D Edgemount Mechanical Latch

Part Number: 10533D*

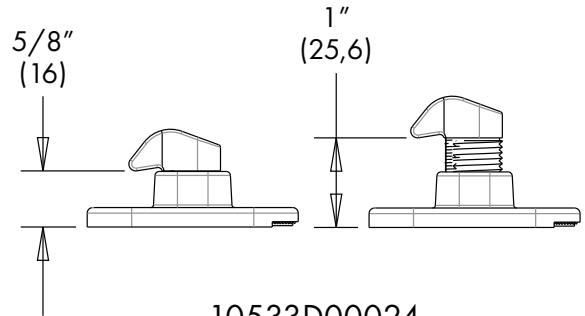
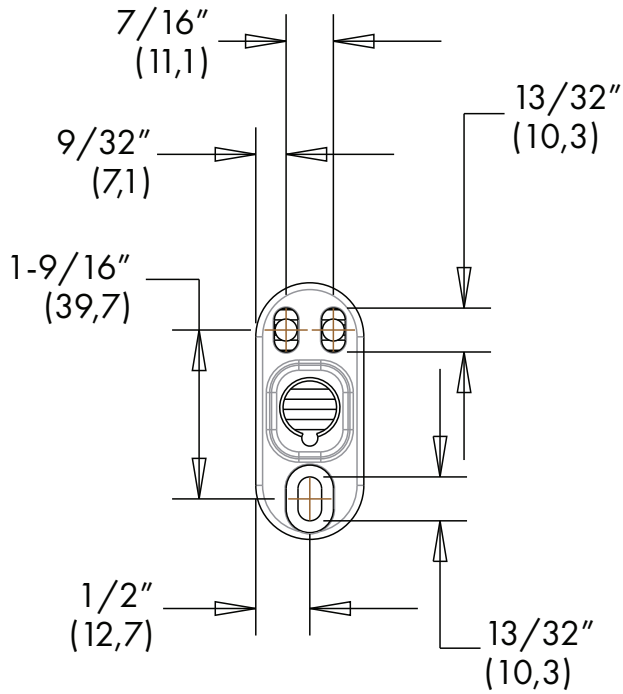
WARNING		<h3>ENTRAPMENT HAZARD</h3>
<p>This latch is not equipped with an inside release mechanism. DO NOT USE this latch on doors leading to occupied spaces. Doing so may result in personnel being entrapped and subject to extreme temperatures and possibly death.</p>		

All holes are drilled and countersunk for No. 10 (5 mm) screws (not included).

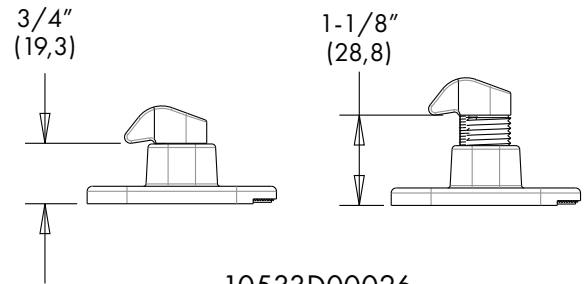


0533D Edgemount Mechanical Latch

Part Number: 10533D*



10533D00024
Strike Assembly
(Low Offset)



10533D00026
Strike Assembly
(High Offset)

Mounted Offset

Part No.*	Description	Mounted Offset	
		Minimum	Maximum
10533000016	Body Only	--	--
10533D00004	Latch, Low Offset	11/16" (17,5 mm)	1-1/16" (26,9 mm)
10533D00006	Latch, High Offset	13/16" (20,6 mm)	1-3/16 (30,2 mm)
10533D00024	Strike, Low Offset	--	--
10533D00026	Strike, High Offset	--	--