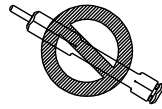


## 0948C Cylinder Locking Inside Release System for Freezer Doors

Part Number: 10948C00004

### STEP 1

DISCARD SHORT ROD SUPPLIED WITH 948 INSIDE RELEASE MECHANISM OR OTHER HANDLE ASSEMBLY INTENDED FOR USE WITH 4" THICK DOOR



USE ROD & TUBE FURNISHED WITH THIS KIT AND CUT TO LENGTH AS SHOWN IN TABLE BELOW

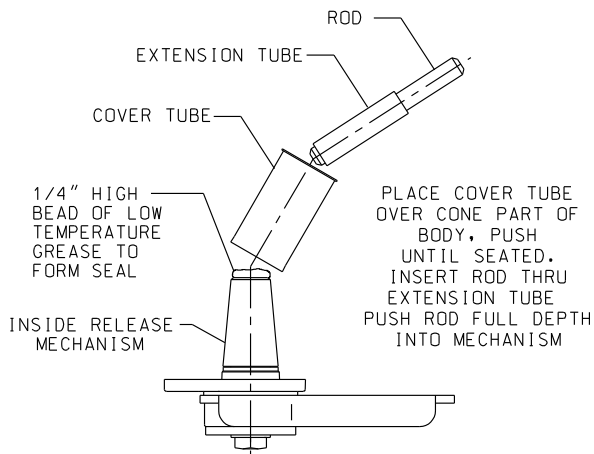
### STEP 2

FOR 6" DOOR THICKNESS CUT ROD & TUBE TO DIMENSION SHOWN IN TABLE FOR DOORS OF GREATER OR LESSER THICKNESS INCREASE OR REDUCE CUT LENGTH BY AMOUNT OF DIFFERENTIAL THICKNESS

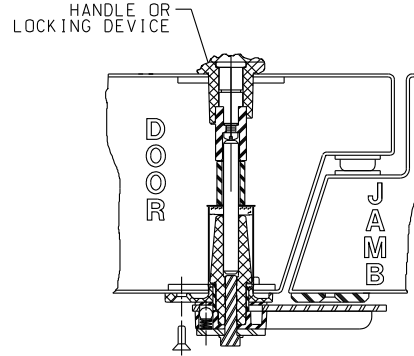
KEYED DEVICE	ROD LENGTH	TUBE LENGTH	DOOR THICKNESS
602 HANDLE	5 9/16"	3 3/8"	6"
901C HANDLE	5 5/16"	3 1/2"	6"
925C HANDLE	4 9/16"	2 3/4"	6"
926C HANDLE	4 9/16"	2 3/4"	6"
948C CYLINDER	4 3/16"	2 5/16"	6"
1229C HANDLE	5 7/16"	3 5/8"	6"

CHAMFER ROD ENDS TO AID ASSEMBLY

### STEP 3

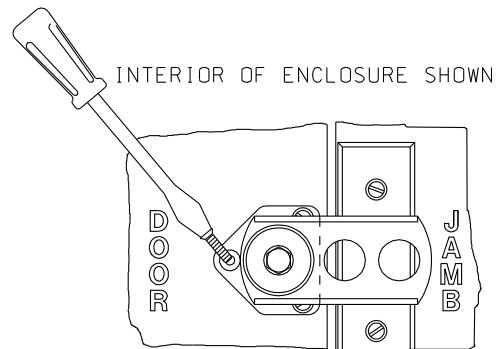


### STEP 4



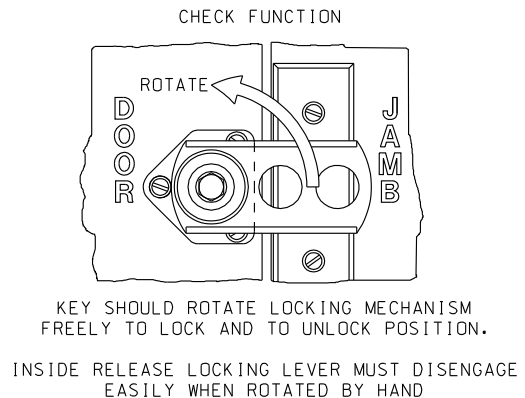
INSERT ENTIRE ASSEMBLY INTO RELIEF HOLE ON INTERIOR SIDE OF DOOR. ALIGN SQUARE ROD WITH SQUARE IN HOLDER PUSH TO FULLY SEATED POSITION

### STEP 5



ORIENT INSIDE RELEASE MECHANISM AS SHOWN AND FASTEN IN 3 PLACES

### STEP 6



KEY SHOULD ROTATE LOCKING MECHANISM FREELY TO LOCK AND TO UNLOCK POSITION.

INSIDE RELEASE LOCKING LEVER MUST DISENGAGE EASILY WHEN ROTATED BY HAND

