

1832DBL Low Temperature Heated Pressure Relief Port

Part Number: 11832DBL00*

⚠ CAUTION

Electrical supply cord to be replaced/installed by qualified persons to avoid a hazard.

- Check the pressure relief port's (PRP) labeled voltage ensuring that it is suitable for the supply voltage
- The 1832DBL generates heat which can damage the unit or wall in an unrefrigerated space. Power must be cut off to the 1832DBL when the ambient temperature of the enclosure is greater than 60°F. Use creep action thermostat 91845000868, sold separately, or equivalent snap action thermostat



DIRECTIONS

1. Select a location for the PRP away from the direct flow of cold air from the coils. Choose a location where the passage of air through the PRP will not be obstructed. A location near another wired fixture may simplify the wiring.

CAUTION: Turn off power to PRP during periods without refrigeration to reduce heat buildup. Hi-Pot over 1500 volts will damage the PRP and void the warranty. INSTALLER MUST UNDERSTAND AND FOLLOW LOCAL ELECTRICAL CODES.

2. Mark a circle 6-1/16" in diameter in the selected location and mark the center. This is to be sure that the louvered covers will fit the selected location. Using the same center, cut a 4-13/16" diameter hole through the panel (Fig. 1).
3. Cut a hole for the junction box into the outside (warm side) of the panel, the size and shape of the hole to suit the junction box to be used. Locate the box within two (2) feet from the PRP (Fig. 2).
4. At mid-point in the 4-13/16" hole, provide a hole for the cords to pass through the insulation and into the junction box hole (Fig. 2).
5. Insert the sleeve into the 4-13/16" hole and align the cord hole(s) in the sleeve with the cord hole(s) in the panel. Pass the cord through the gasket and place the gasket under the valve body rim. Insert the cord into the hole in the sleeve from the cold side (inside) of the freezer. Feed the cord through and pull out through the junction box hole.
6. With the ground screw (in the valve assembly) in the bottom position, place the louver over the valve assembly with the openings facing down and line up the screw holes in the louver, the valve assembly, and the gasket. While holding the parts lined up, place the valve assembly into the sleeve (Fig. 1).
7. Spot through the three holes of louver and drill 1/8" holes for #8 sheet metal screws. Drive in the three screws and the inside PRP assembly work is completed.

8. On the outside (warm side) of the wall, assemble the louver, screen, heat exchanger, and gasket in the same manner as the inside parts were assembled and fasten with three screws.

CAUTION: BE SURE THAT THE WIRING DOES NOT INTERFERE WITH THE OPERATION OF THE VALVE ASSEMBLY.

9. Complete the electrical connections at the junction box. See Wiring Diagram.

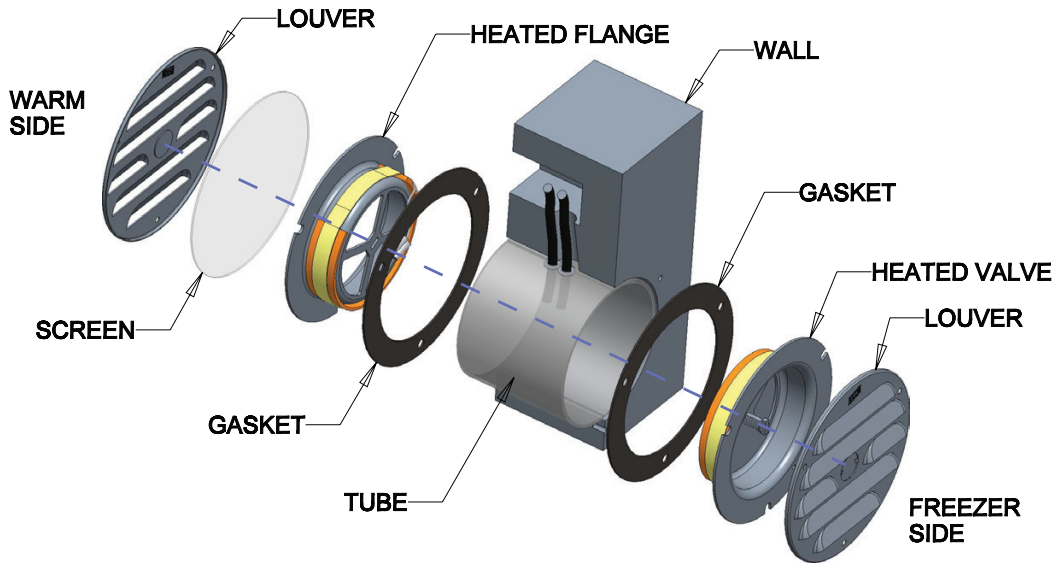
NOTES

- Power must be cut off from 1832DBL when refrigerator is off. See warning on wiring diagram
- PRP can be expected to generate some moisture or frost during humid weather conditions. When warm moist air is cooled as it enters the refrigerated space, the formation of some condensation is unavoidable. To reduce the chance of frost or moisture buildup, the PRP should be located where the moisture brought in by warm air can disperse without directly contacting a cold surface



1832DBL Low Temperature Heated Pressure Relief Port

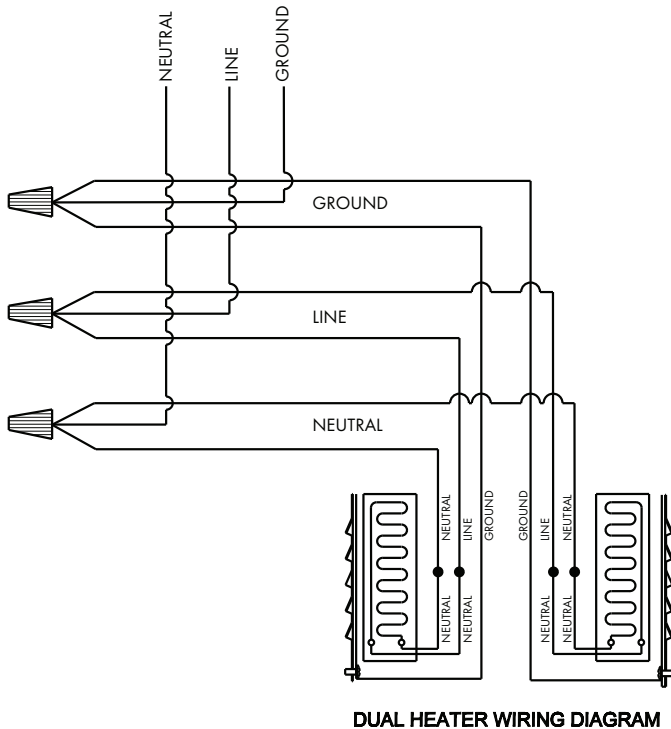
Part Number: 11832DBL00*



EXPLODED VIEW

This unit has passed a Hi-Pot test by Kason Industries. Subsequent Hi-Pot testing not required. Hi-Pot over 1500 volts and 1 second will damage unit and void the warranty.

SUPPLY AC



DUAL HEATER WIRING DIAGRAM

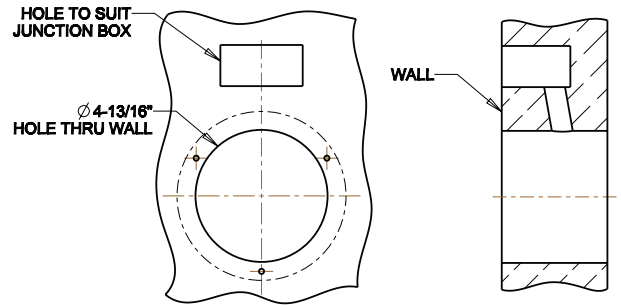


FIGURE 1

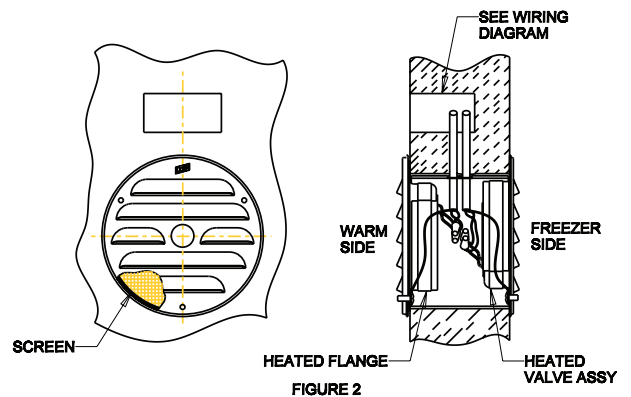


FIGURE 2