

## 57 SecureGuard™ e-Lock PLUS High Security Latch

Part Number: 57-314/57-315

### Latch Installation Instructions

**NOTE:** The high security lock will be setup from the factory with the lever in the proper orientation for intended application.

- All mounting hardware for inside latch and outside handle is included
- Installer must supply strike mounting hardware, (2) 1/4" dia. fasteners
- A metal tapping plate is recommended inside jamb panel for securing strike
- An optional thru-bolt mounted strike is available for field installations. Order number 10057000017
- When installing the latch in a door that opens in the opposite direction from shown, rotate the template 180°
- For doors less than 3-7/8" thick, trim parts as needed

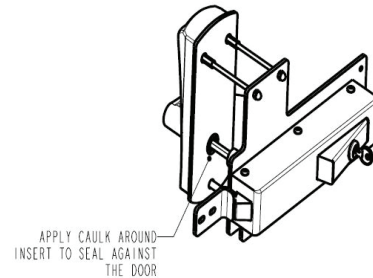
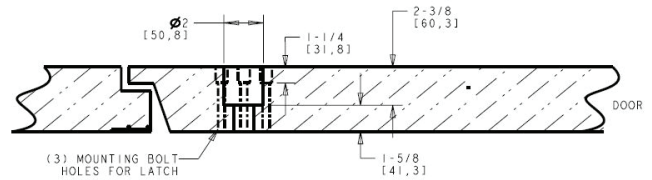
#### 1. Mark and drill holes (Templates and Fig. 1)

- Use the full size template included at the end of the instructions booklet to mark positions and drill all holes. Start with (1) inside latch
- **Note:** Template illustrations may vary visually from product being installed, but does not affect installation.
- Follow instructions on templates. Drill thru-holes from inside as straight as possible because outside plate position is aligned with these holes
- Fig. 1 shows appearance of holes prior to installing the hardware

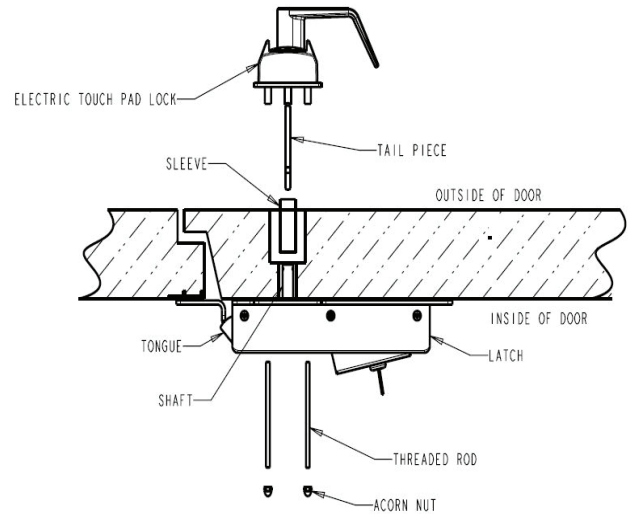
#### 2. Mount latch and outside handle to door (Fig. 2)

- Caulk back of outside handle plate around the perimeter of the cylinder to seal against door
- Attach nuts to rods
- Locate latch on inside of door, with shaft inserted through 1" dia. hole in insulation
- Insert (3) threaded rods and acorn nuts through mounting holes as shown. Hold latch in place while attaching outside handle
- Insert tail-piece through sleeve and into shaft by aligning flat with the pin in the shaft (see **Detail A**). Position outside handle as shown while adjusting outside plate if necessary
- With tail-piece inserted in shaft, align the T-nuts with mounting holes and fully insert the assembly until plate is flush with door surface
- Engage the (3) threaded rods with the handle nuts and tighten. Use the extra washers provided if screws bottom out inside nuts before tightening

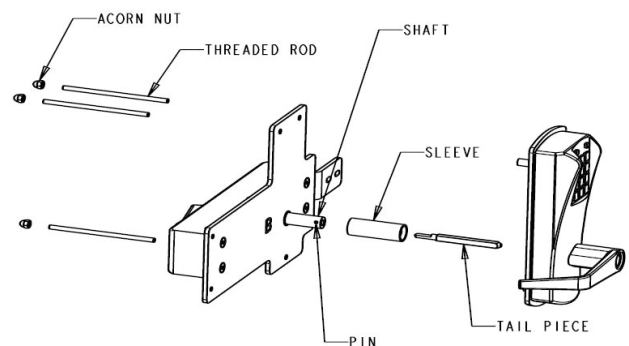
**Fig. 1**



**Fig. 2**



**Detail A**



## 57 SecureGuard™ e-Lock PLUS High Security Latch

Part Number: 57-314/57-315

### 3. Test Latch Function

- Type in code (1, 2, 3, 4, 5, 6, 7, 8) and hit enter, then turn knob on outside of door 90°. This should operate tongue and allow door to open
- Pushing inside lever should operate tongue and allow door to open
- Tongue and tip of latch cover should clear jamb when opening door

### 4. Mount Strike (Fig. 3)

- Mount strike at holes drilled with template (see page 3). Use 1/4" fasteners (not included)
- Use strike slots to adjust strike position relative to tongue for desired fit

### General Notes:

- Fig. 3 shows the installed latch, handle, and strike, along with mount reference dimensions
- Latch automatically locks upon closing door and must be unlocked with code from outside to open
- From inside, push lever to open door. The inside lever always overrides outside lock
- To temporarily deactivate the outside lock, push and hold lever in and operate lever lock with key to lock down lever. This will hold tongue in the retracted position, unlocking the latch

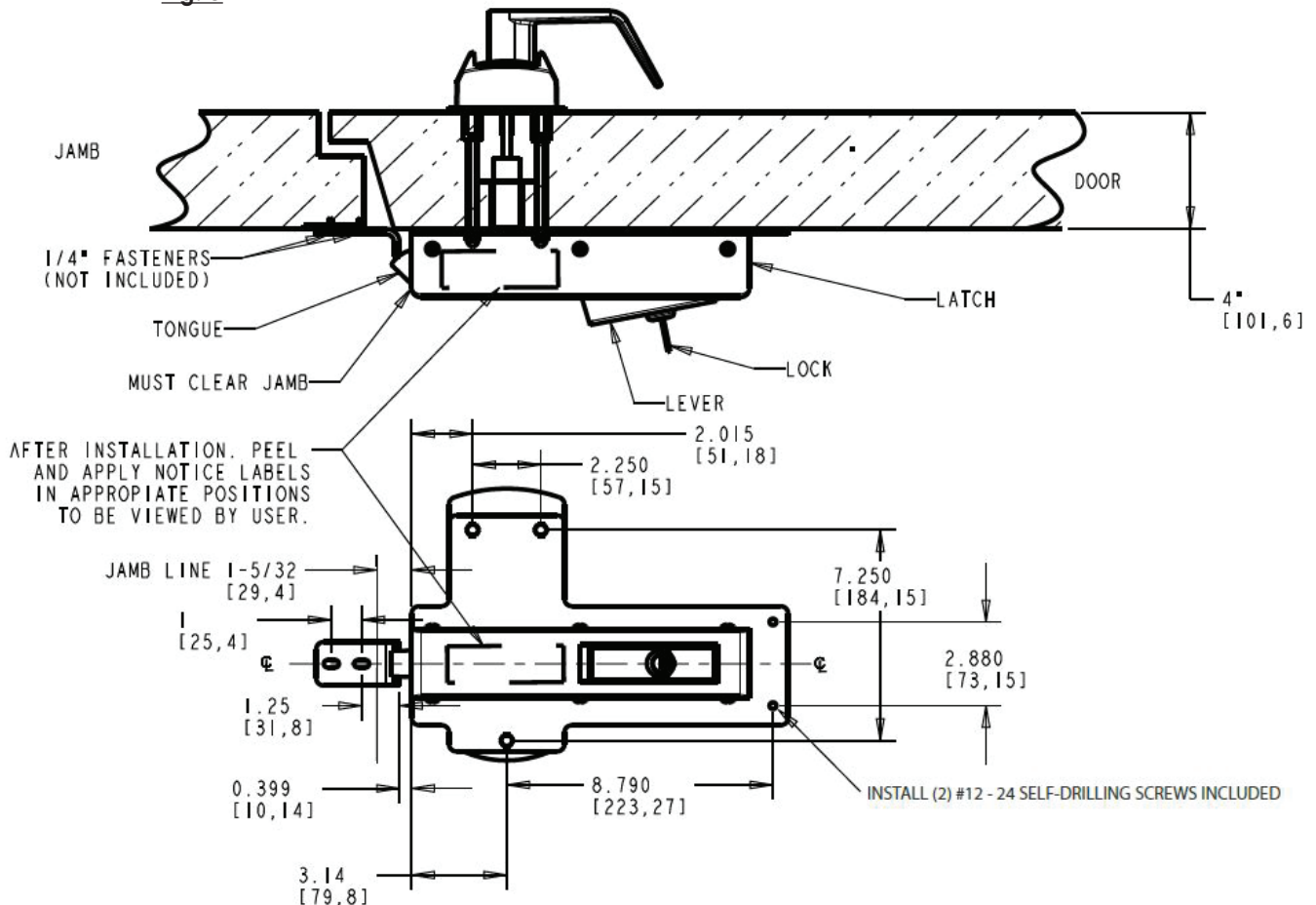
### Programming the Lock

For help programming the lock, click or type the link below to watch the video or scan the QR code.

<https://youtu.be/CbeL10LMxOo>



Fig. 3



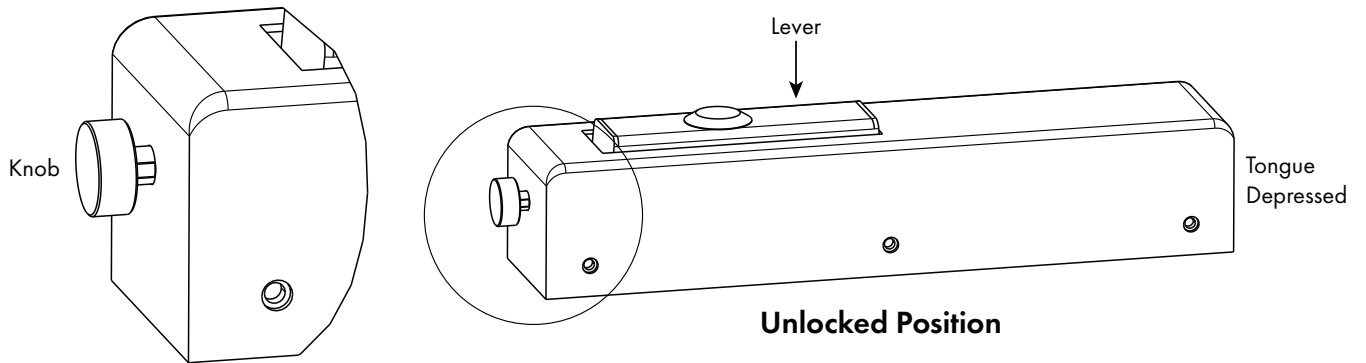
### 57 SecureGuard™ e-Lock PLUS High Security Latch

Part Number: 57-314/57-315

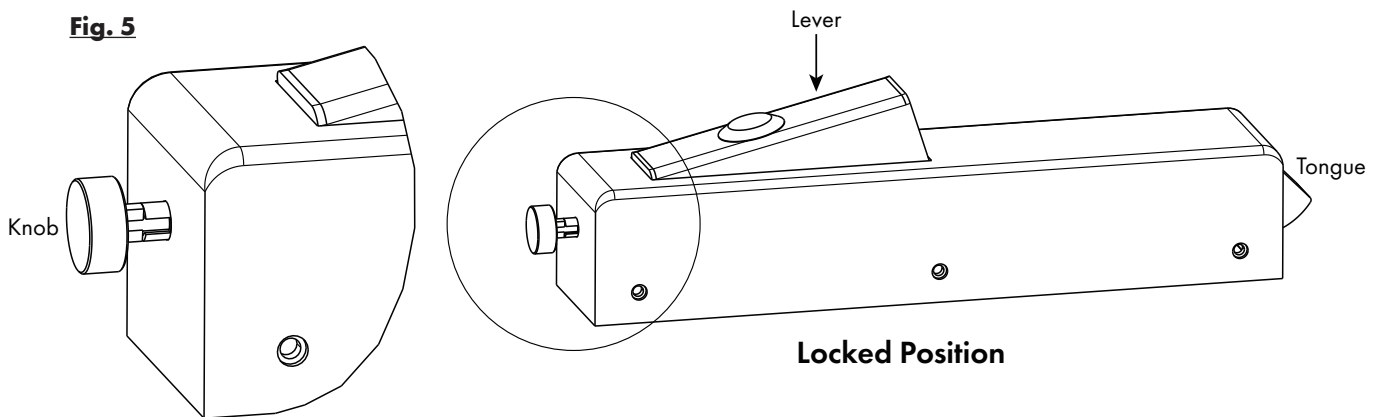
#### Optional Quick Release Latch Bypass Function

1. Turn knob as shown in Fig. 4. Push down lever. Tongue should be retracted into housing
2. To reset into lock position as shown in Fig. 5, pull knob out and rotate. Lever will be released and tongue will be extended

**Fig. 4**



**Fig. 5**



57 SecureGuard™ e-Lock PLUS High Security Latch

Part Number: 57-314/57-315

