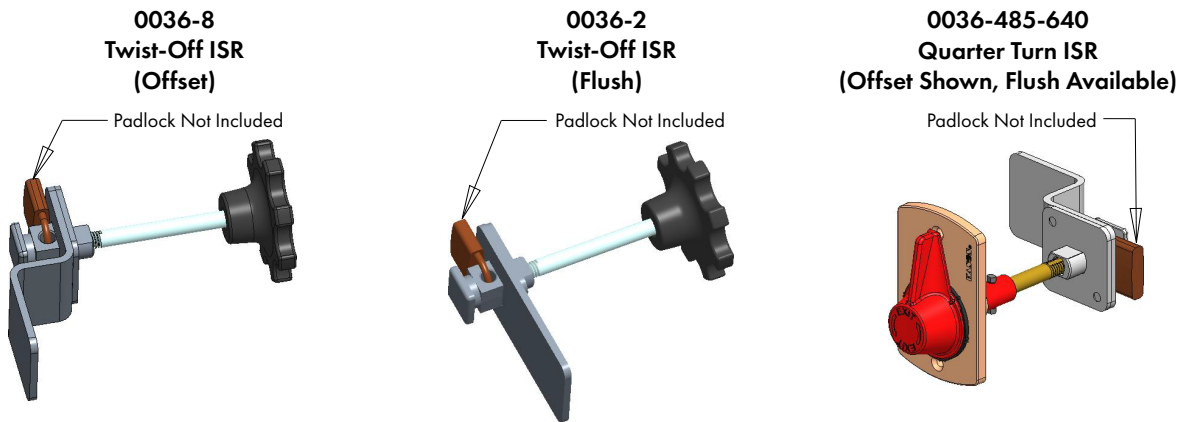


0036 Padlocking Hasp with Inside Release

Part Number: 10036*



FEATURES

- Padlocking hasp secures any flush or specified offset door
- Move locking bar to horizontal position across door and secure with padlock
- Fasteners will be covered by bar when locked
- When open, holds padlock to prevent loss
- Twist-off or quarter turn inside release options
- Quarter turn inside release offers simple actuation meeting ADA requirements, and low conduction thermal break to limit energy losses through wall

MATERIALS

- **Post:** Zamak #3, Chrome Plated
- **Bar:** 300 Series Stainless Steel, Brushed
- **Mounting Plate:** 300 Series Stainless Steel
- **Roll Pin:** Stainless Steel (Twist-off ISR)
- **Knob:** Polypropylene with glow pigment (Twist-off ISR)
- **Escutcheon Plate:** Glow Pigment
- **Lever:** Polycarbonate, Glass Filled
- **Index Washer:** Polypropylene
- **Dowded Pin:** Stainless Steel
- **Rod:** Brass, Raw
- **Weight:** 1.2 lb (0.53 kg)

DESIGN CRITERIA

- Temperature Range: -30°F to 150°F (-34.4°C to 65.5°C)
- Left/right door, through jam mounting
- Flush or offset door security
- Drilled and countersunk for No. 10 (5.0 mm) flathead screws
- Security screws recommended for external plates
- Standard 4" door (101.6 mm) thickness
- Custom lengths available, specify when ordering
- Designed for padlocks with 5/16" diameter shackles

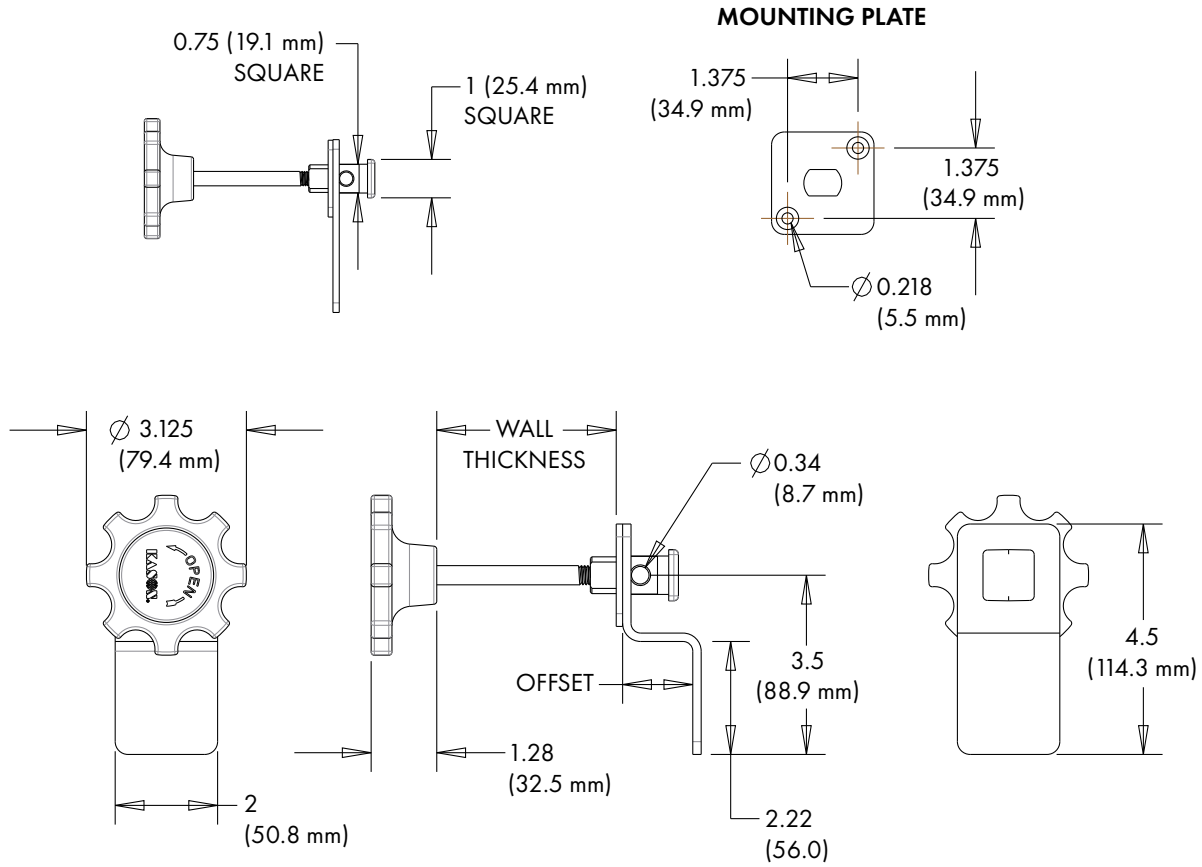
*Part No.	Description	Offset
10036000002	Twist-off ISR, 4" Wall Thickness	Flush (0.0 mm)
10036000002045	Twist-off ISR, 4-1/2" Wall Thickness	Flush (0.0 mm)
10036000006	Twist-off ISR, 4" Wall Thickness	1-1/8" (28.6 mm)
10036000006045	Twist-off ISR, 4-1/2" Wall Thickness	1-1/8" (28.6 mm)
10036000008	Twist-off ISR, 4" Wall Thickness	1-3/8" (34.9 mm)
10036000010	Twist-off ISR, 4" Wall Thickness	1-5/8" (41.3 mm)
10036000012	Knob with Threaded Rod 11-1/4" Long	NA
10036485240	Quarter Turn ISR, 4" Wall Thickness	Flush (0.0 mm)
10036485340†	Dual Post w/ Quarter Turn ISR, 4" Wall Thickness	Flush (0.0 mm)
10036485640	Quarter Turn ISR, 4" Wall Thickness	1-1/8" (28.6 mm)
10036485840	Quarter Turn ISR, 4" Wall Thickness	1-3/8" (34.9 mm)

†See 10036485340 Spec Sheet

0036 Padlocking Hasp with Inside Release

Part Number: 10036*

TWIST-OFF INSIDE RELEASE



QUARTER TURN INSIDE RELEASE

