

0057 SecureGuard™ e-Lock High Security Latch (Indoor Use Only)

Part Number: 0057-306/0057-307



FEATURES

- Locks automatically when door is closed
- Saves energy and safeguards food quality, door stays shut
- Interior latch can be locked in open position for easy access during loading
- Retrofits most walk-in doors
- Freeze-resistant internal components
- Available high-security or removable core cylinder locks
- Complete system with pre-assembled cylinder lock
- Stainless steel strike for factory installation
- Random keyed cylinder locks
- Stainless steel strike through-bolts with concealed bolt holes
- Uses #0057 latch to replace most walk in latches
- Plate covers unused screw holes
- Use with 0057-04 or 0057-08 locking system on flush door or offset up to 1-1/4" [31,6]

MATERIALS

- Mounting Plates: Aluminum
- Latch Body Cover: Stainless Steel
- Latch Tongue: Zamak #3
- Pull Handle: Zamak #3, polished chrome plated
- Push Handle: Stainless Steel
- High Security Latch: Zinc
- Strike: Stainless Steel
- Strike through-bolts: Stainless Steel
- Couplings: Aluminum

DESIGN CRITERIA

- Aluminum mounting plates and body cover
- Mounts with 3 bolts into 4" thick door, minimum 30" wide
- Latch and handle through-bolt with tamper-resistant hardware
- "BEST" brand interchangeable core lock cylinders available
- **Temperature Range**
Ambient Rating: 50°F to 80°F
Freezer/Cooler Rating: -30°F to 80°F

LOCKING MECHANISMS

Key Operated Lock Bypass (Locked)



Quick Release Lock Bypass Knob (Locked)

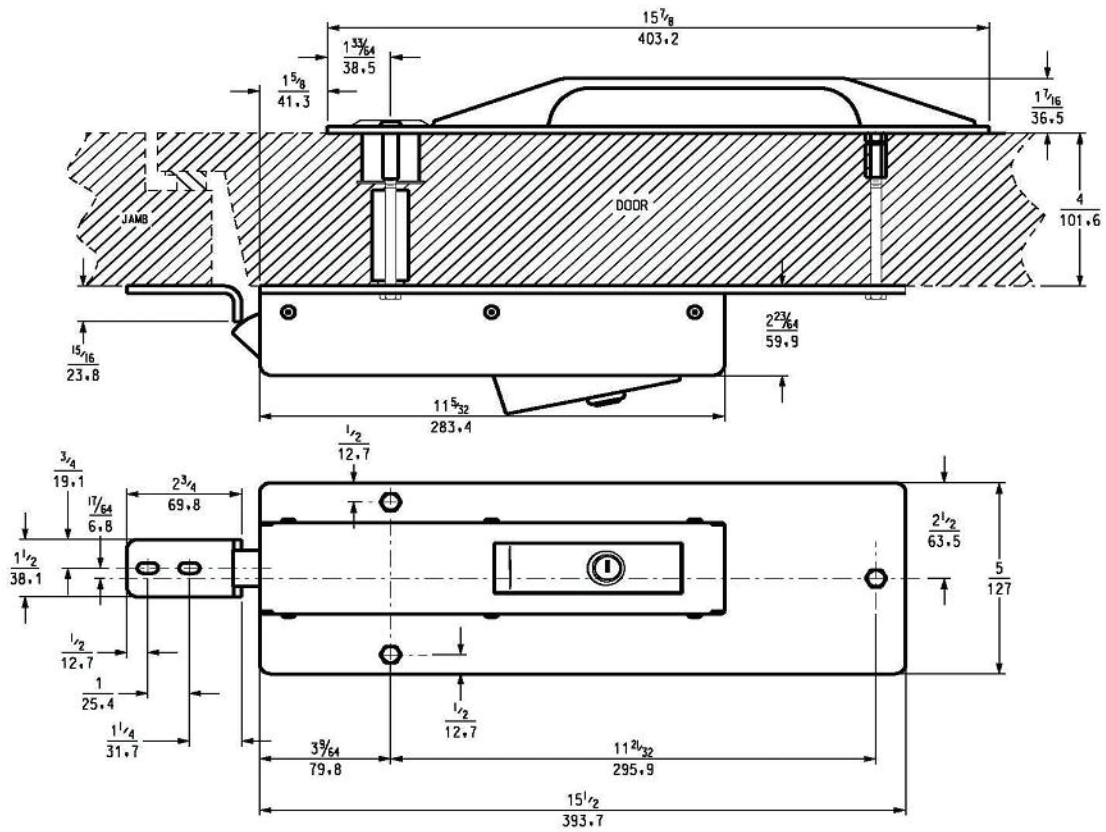


Quick Release Lock Bypass Knob (Unlocked)



0057 SecureGuard™ e-Lock High Security Latch (Indoor Use Only)

Part Number: 0057-306/0057-307



Part No.	Item
10057000004	Locking System w/High Security Lock, Offset Flush
10057000008	Locking System w/ Removable Core Lock, Offset Flush
10057000017	Thru-bolt Strike, Offset Flush to 1-1/4" [31,6]
10057000022	Removable Core Cylinder Kit
10057000026	Thick Door Extension Kit
10057000298	Inside Push Bar and Strike
10057000306	High Security e-Lock Latch LH
10057000307	High Security e-Lock Latch RH
10057K00306	High Security e-Lock Latch LH, QR Knob
10057K00307	High Security e-Lock Latch RH, QR Knob