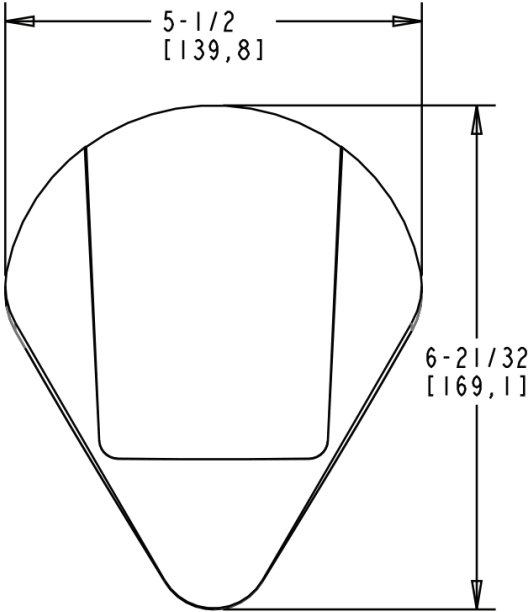


00TJ Toilet Jack

Part Number: 69000TJ*



US Patent No. 7,421,745



FEATURES

- Wall mounted toilet support
- Increases weight capacity of a wall-mounted toilet from 300 to 1,000 lb
- Stabilizes and reduces leaks when installed properly
- Quickly and easily installs right out of the box
- Mounts discreetly under most manufacturers wall mounted toilets, providing additional vertical support
- Specially engineered leg can be raised (up to 2") to maintain the cleaning ability of a wall mounted fixture
- Made in USA

MATERIALS

- Stainless Steel and silicone

DESIGN CRITERIA

- Latex free
- Available for standard height and ADA height toilets
- Meets or exceeds guidelines for:
 - ASME/ANSI
 - Z124.5
 - CSA/IAPMO/UPC
 - JCAHO

*Part No.	Description	Qty./Carton
69000TJ1000	Toilet Jack Leg, 4" (For Standard Height)	1
69000TJ2000	Toilet Jack Leg, 6" (For ADA Handicap Height)	1