

0487 Frost-Free Inside Release Push Handle

Part Number: 10487*

FEATURES

- Furnished with low-conduction fiberglass rod for low-temp applications
- ADA Compliant (when used with appropriate latch)

MATERIALS

- **Rod:** Fiberglass
- **Flange:** ABS
- **Knob:** Glow-in-the-dark polypropylene
- **Pins:** Steel, zinc plated
- **Washer:** Felt

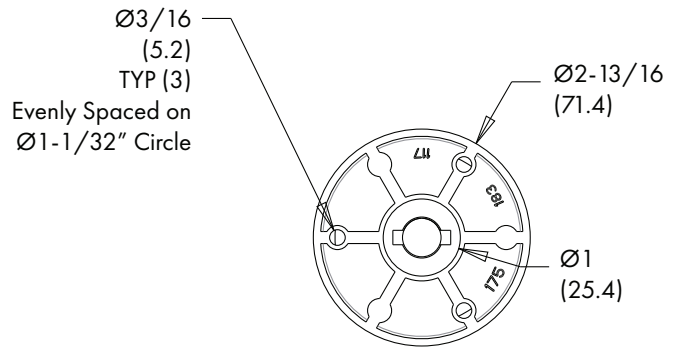
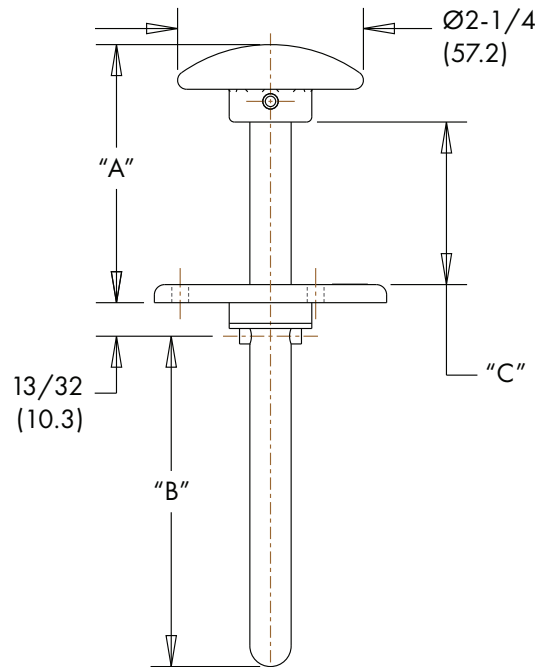
DESIGN CRITERIA

- Cycle tested to 250,000 cycles
- Accepts #10 pan head fasteners
- **Temperature Range:** -40°F to 120°F (-40°C to 48.9°C)



Part No.*	Description	"A"	"B" †	"C"
10487A*	Frost-Free Inside Release Push Handle	6" (152.4 mm)	4" (101.6 mm)	1-31/32" (50 mm)
10487B*	Frost-Free Inside Release Push Handle	2" (50.8 mm)	4" (101.6 mm)	3-11/32" (84.9 mm)
10487C*	Frost-Free Inside Release Push Handle	2-5/8" (66.7 mm)	4-5/32" (105.6 mm)	1-1/4" (31.8 mm)

† "B" dimension for 4" door thickness



0487 Frost-Free Inside Release Push Handle

Part Number: 10487*

HOW TO SELECT AND ORDER INSIDE RELEASE HANDLES

1. From Table A choose the appropriate inside release handle for each latch.
2. Refer to Table B for minimum door thickness required for each inside release model.
3. Specify exact thickness of your door. We will use this information to convert your requirements into our part numbers.

Table A

Latches	Inside Release Handles
0045, 0046, 0050, 0051, 4545, 4646, 5050, 5151	0480, 0481B, 0482B, 0486B, 0487B, 0489B
0052, 0053	0481B, 0482B, 0486B, 0487B, 0489B
0055XXL	0486D, 0489D
0056, 5656	0480, 0483, 0481A, 0481SA, 0482A, 0486A, 0487A, 0488A, 0489A
0058, 0077, 0078, 0778	0481C, 0481SC, 0482C, 0486C, 0487C, 0488C, 0489C

Table B

Inside Release Handles	Minimum Door Thickness
0481C, 0482C, 0483, 0487C	1-1/2" (38.1 mm)
0481A, 0482A, 0487A	2-1/2" (63.5 mm)
0486D	2-11/16" (68.3 mm)
0489D	2-3/4" (69.9 mm)
0481B, 0482B, 0486B, 0486C, 0487B	3" (76.2 mm)
0489B, 0489C	3-1/4" (82.6 mm)
0480	3-1/2" (88.9 mm)
0486A	3-3/4" (95.3 mm)
0489A	4" (101.6 mm)