

**0779 Stainless Steel Spring Roller Strike**

Part Number: 10779\*



U.S. Patent No. D-891,915

**FEATURES**

- Protects the latch mechanism which is not designed for door closure after being locked. Use on 0058, 0078 and 0778 latches
- Designed with a spring loaded, pivoting roller arm which deflects when door is closed with a locked latch, preventing unwanted damage to the latch
- Arm has full rigidity when engaged with latch
- Tamper-proof spring and pins
- Type 316 stainless steel cast components
- Nylon roller standard, stainless steel optional
- Brass roller optional for O488L Panic Bar Inside Release

**DESIGN CRITERIA**

- **Temperature Range:** -20°F to 150°F (-29°C to 66°C)
- Fasten using 1/2" (6.4 mm) flat or oval head screws

Part No.	Description	Offset	Weight
10779006002	Strike Assembly, Nylon Roller	1/8" to 3/4" (3.2 to 19.1 mm)	9 lb (4.1 kg)
10779006003	Strike Assembly, Nylon Roller	3/4" to 1-5/8" (19.1 to 41.3 mm)	10.8 lb (4.9 kg)
10779006102	Strike Assembly, Stainless Steel Roller	1/8" to 3/4" (3.2 to 19.1 mm)	9.6 lb (4.4 kg)
10779006103	Strike Assembly, Stainless Steel Roller	3/4" to 1-5/8" (19.1 to 41.3 mm)	11.4 lb (5.2 kg)
90779006202	Strike Assembly, Brass Roller	1/8" to 3/4" (3.2 to 19.1 mm)	9 lb (4.1 kg)
90779006203	Strike Assembly, Brass Roller	3/4" to 1-5/8" (19.1 to 41.3 mm)	10.8 lb (4.9 kg)

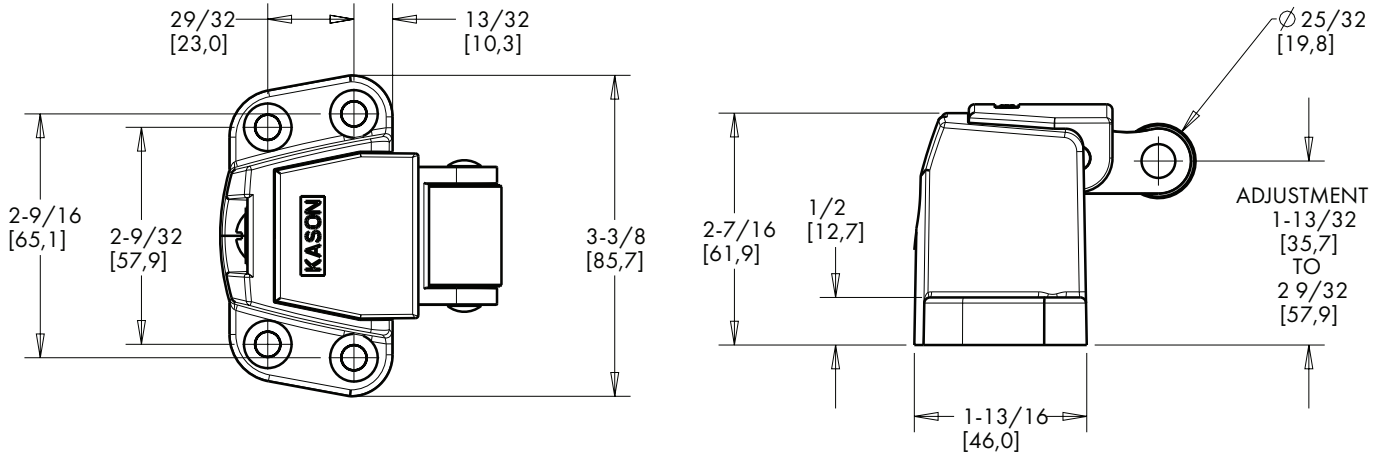
**MATERIALS**

- **Strike Housing:** Type 316 (ASTM-A240) stainless steel, finish-satin chrome
- **Strike Insert:** Type 316 (ASTM-A240) stainless steel, finish-satin chrome
- **Roller Retainer:** Type 316 (ASTM-A240) stainless steel, finish-direct chrome
- **Roller Pin:** 300 series (ASTM-A276) stainless steel, finish-passivated
- **Pivot Pin:** 300 series (ASTM-A276) stainless steel, finish-passivated
- **Torsion Spring:** Type 316 (ASTM-A313) stainless steel, finish-passivated
- **Adjustment Screw:** 300 series (ASTM-A276) stainless steel, finish-passivated
- **Tooth Washer:** 300 series (ASTM-A240) stainless steel, finish-passivated
- **Roller:** Nylon, (ASTM-D4066) color-black or type 316 (ASTM-A240) stainless steel, brass option available
- **Hole Plug:** Nylon, (ASTM-D4066)

0779 Stainless Steel Spring Roller Strike

Part Number: 10779\*

0779-2



0779-3

