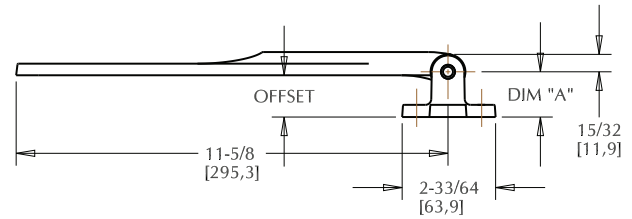
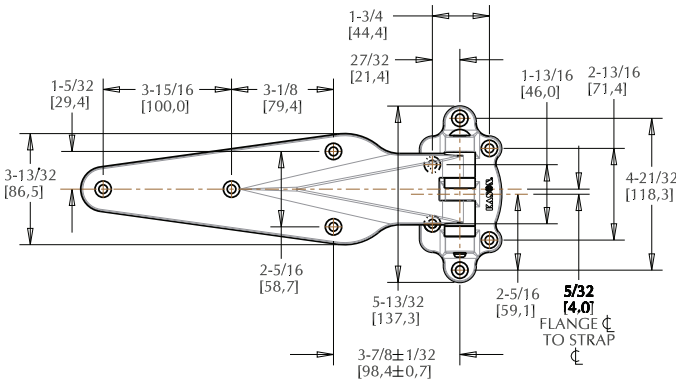


**1055 Heavy-Duty Hinge**

Part Number: 11055\*



© U.S. Trademark: 5,923,905



**FEATURES**

- Heavy-duty double knuckle non-rise hinge engineered for maximum structural strength
- Polished chrome finish on forged brass flange and strap offer classic styling and long lasting dependability
- Available for left or right opening doors in offsets to suit your application
- Easily change hand of operation by driving out pin and reversing parts

**MATERIALS**

- **Flange & Strap:** Forged brass, CDA #377
- **Bearing:** Nylon (Zytel 408)
- **Washer and Pin:** AISI Type 302 Stainless Steel
- **Finish:** Polished Chrome

**DESIGN CRITERIA**

- Safe working load for Group 'F' Hinge = 6,930 in-lb resisting moment per pair from Kason hinge selection chart (Ex: 33" door, max weight of 420 lb = 33/2 x 420 = 6,930 in-lb (OK))
- 250,000 cycle functional testing without significant wear
- Accepts 1/4" (6 mm) flat or oval head fasteners
- **Operating Temperature:** -20°F to 150°F (-28.9°C to 65.6°C)

Part No.	Description	Offset	Dim "A"
11055000004	Hinge, R.H.	Flush (0.0 mm)	31/32" (24.6 mm)
11055000005	Hinge, L.H.	Flush (0.0 mm)	31/32" (24.6 mm)
11055000044	Hinge, R.H.	1-1/8" (28.6 mm)	1-7/32" (30.9 mm)
11055000045	Hinge, L.H.	1-1/8" (28.6 mm)	1-7/32" (30.9 mm)
11055000048	Hinge, R.H.	1-1/4" (31.8 mm)	1-7/32" (30.9 mm)
11055000049	Hinge, L.H.	1-1/4" (31.8 mm)	1-7/32" (30.9 mm)
11055000052	Hinge, R.H.	1-3/8" (34.9 mm)	1-7/32" (30.9 mm)
11055000054	Hinge, R.H.	1-7/16" (36.5 mm)	1-7/32" (30.9 mm)
11055000055	Hinge, L.H.	1-7/16" (36.5 mm)	1-7/32" (30.9 mm)

**Note:** For additional offsets consult your Kason representative.