

1241 Heavy-Duty Double Knuckle Hinge

Part Number: 11241 *



© U.S. Trademark 2,277,203

FEATURES

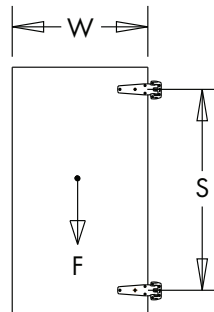
- Heavy-duty, double knuckle, non-rise hinge engineered for maximum structural strength
- Ribbed underside construction reduces weight and ensures rugged, no sag dependability
- Available in flush (0.0 mm) or 1-1/8" (28.6 mm) offset
- Left or right hand door application

MATERIALS

- **Flange/Strap:** Zinc, polished chrome powder coat finish
- **Thrust Bearing:** Nylon
- **Thrust Washer:** Stainless steel
- **Pin Bearing:** Nylon
- **Headed Pin:** Stainless steel (ASTM A276), passivated

DESIGN CRITERIA

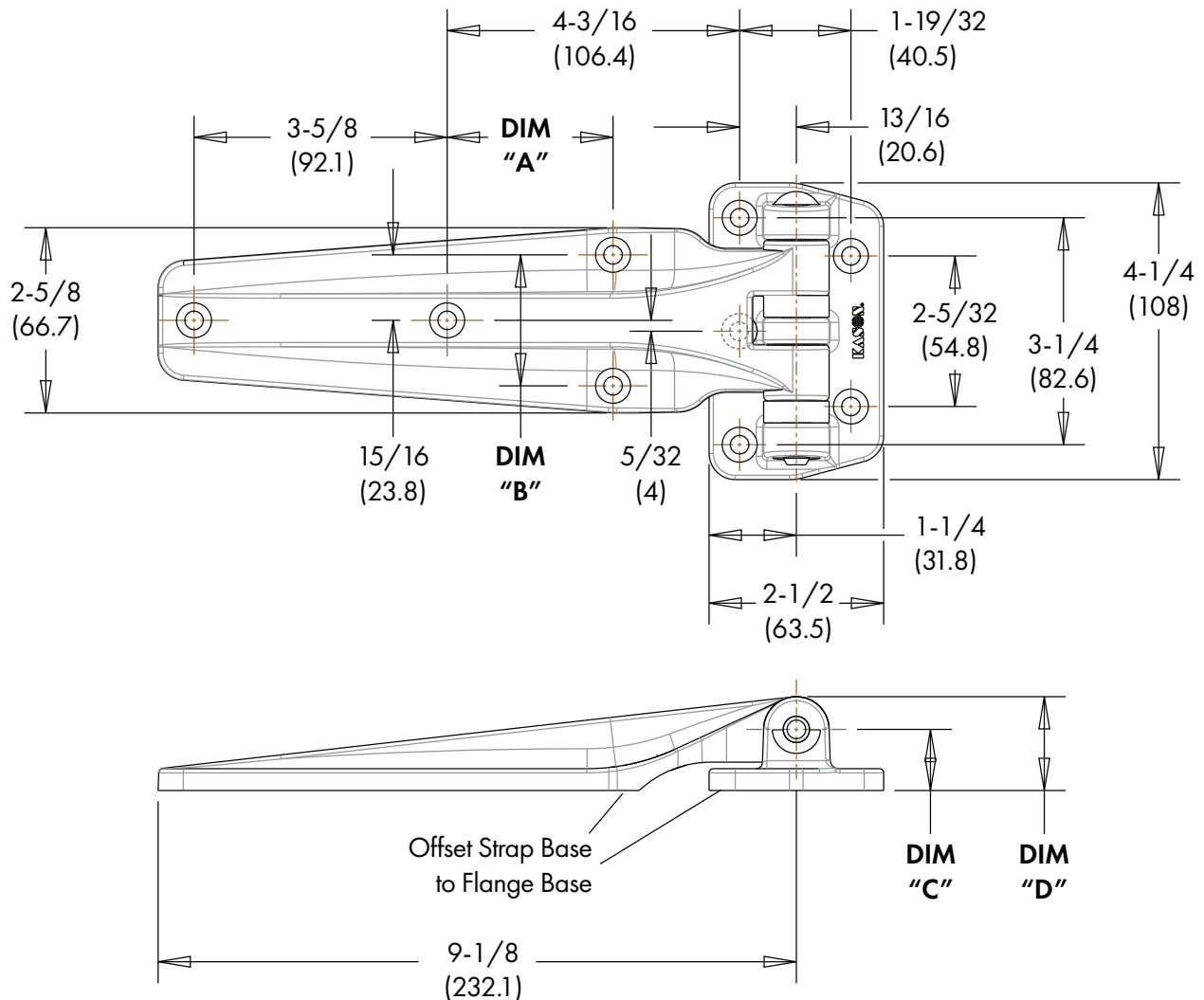
- Safe working load for [Group 'D' Hinge](#) = 3,990 in/lb resisting moment per pair from Kason hinge selection chart
- **Example:** 36" door maximum weight of 220 lb = $36/2 \times 220 = 3960$ in/lb (OK)
- 250,000 cycle functional testing without significant wear
- Accepts 1/4" (6 mm) flat or oval head fasteners
- **Mounting:** Holes drilled and countersunk for 1/4" (6.0 mm) screws (not included). Strap available with three different mounting hole locations; refer to dimensions A and B on drawings and table (pg. 2)
- **Temperature Rating:** -20°F to 140°F (-28.9°C to 60°C)



W = Door width, inch (meters)
 F = Door weight, lb (N)
 M = Moment on hinge, in/lb (N.m)
 $= F \times W/2 = 3990$ in/lb (450 N.m)
 S = Suggested hinge spacing
 $= 1.5 W$

1241 Heavy-Duty Double Knuckle Hinge

Part Number: 11241 *

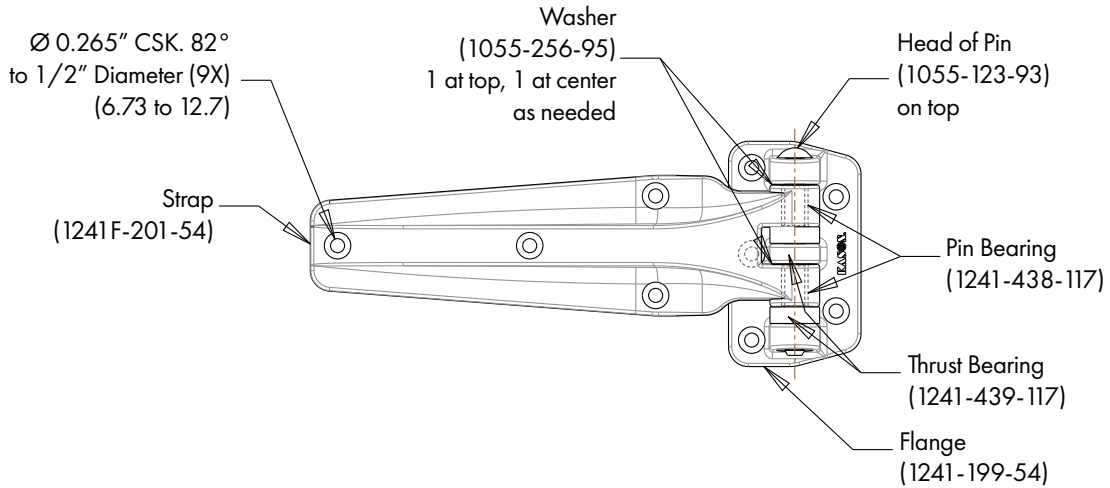


Part No.*	Description	Offset	Dim. A	Dim. B	Dim. C	Dim. D	Qty./Carton	Wgt./Carton
11241000003	Hinge, L.H.	Flush (0.0 mm)	2-3/8" (60.3 mm)	1-7/8" (47.6 mm)	7/8" (22.2 mm)	1-11/32" (34.1 mm)	8	20 lb (8.1 kg)
11241000004	Hinge, R.H.	Flush (0.0 mm)	2-3/8" (60.3 mm)	1-7/8" (47.6 mm)	7/8" (22.2 mm)	1-11/32" (34.1 mm)	8	20 lb (8.1 kg)
11241000008	Hinge, R.H.	1-1/8" (28.6 mm)	2-3/8" (60.3 mm)	1-7/8" (47.6 mm)	1-7/8" (47.6 mm)	2-11/32" (59.5 mm)	6	14 lb (6.8 kg)
11241000009	Hinge, L.H.	1-1/8" (28.6 mm)	2-3/8" (60.3 mm)	1-7/8" (47.6 mm)	1-7/8" (47.6 mm)	2-11/32" (59.5 mm)	6	14 lb (6.8 kg)
11241H00004	Hinge, R.H.	Flush (0.0 mm)	1-23/32" (43.6 mm)	1-13/16" (46 mm)	7/8" (22.2 mm)	1-11/32" (34.1 mm)	8	20 lb (8.1 kg)
11241H00005	Hinge, L.H.	Flush (0.0 mm)	1-23/32" (43.6 mm)	1-13/16" (46 mm)	7/8" (22.2 mm)	1-11/32" (34.1 mm)	8	20 lb (8.1 kg)
11241S00004	Hinge, R.H.	Flush (0.0 mm)	1-3/16" (30.2 mm)	1-3/4" (44.4 mm)	7/8" (22.2 mm)	1-11/32" (34.1 mm)	8	20 lb (8.1 kg)
11241S00005	Hinge, L.H.	Flush (0.0 mm)	1-3/16" (30.2 mm)	1-3/4" (44.4 mm)	7/8" (22.2 mm)	1-11/32" (34.1 mm)	8	20 lb (8.1 kg)

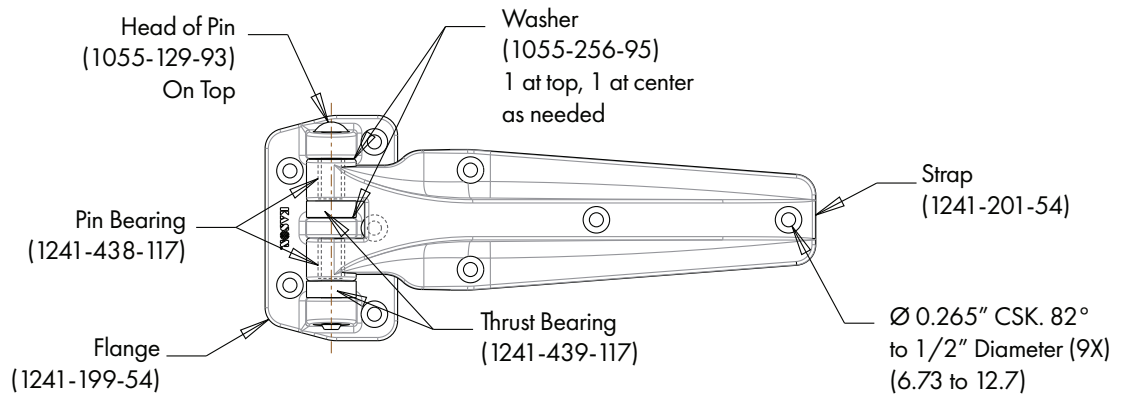
1241 Heavy-Duty Double Knuckle Hinge

Part Number: 11241 *

Right Hand Assembly



Left Hand Assembly



Right Hand Hinge Exploded View (Reverse Pin, Thrust Bearings and Washers for Left Hand Hinge)

