

5688 SafeGuard® Two-Point Latch with 0488 Vertical Push Bar Inside Release

Part Number: 15688*

FEATURES

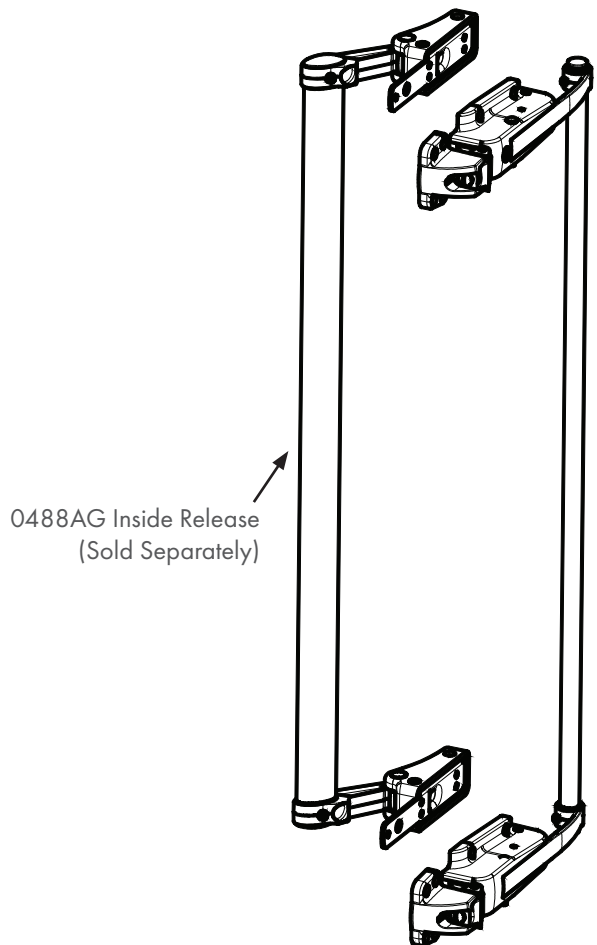
- Two 0056 latches connected with stainless steel rods
Note: Rod is 7/8" (22.2 mm) diameter and supplied in 3 different lengths for latch spacing options
- Vertical inside release push bar provides ergonomic operation to open the door
- Bolt-type tongue provides positive locking action
- Proven, heavy-duty construction
- Kason's adjustable strike assures precise adjustment
- Padlocking provision is standard on all models (Cylinder locking is optional)
- Uses Kason "A" Series 0488AG Inside Release Mechanism to prevent accidental entrapment in locked walk-ins. Inside lever releases cylinder-locked or padlocked door

MATERIALS

- Body: Die-cast Zamak 3
- Strike Housing and Insert: Die-cast Zamak 3
- Handle: 300 series stainless steel
- Connecting Rod: 300 series stainless steel
- Tongue Link: Powder metal
- Insert and Roller: Nylon
- Pins: Stainless Steel
- Compression Spring: Steel
- Spring Lever: Stainless Steel
- Bottom Plate: Die-cast Zamak 3
- Tongue: Die-cast Zamak 3
- Key Cylinder Body: Zamak 3
- Scalp: Stainless Steel
- Tumblers: Brass
- Standard Roller: Nylon 6/6
- Lubricant Molytex EP2

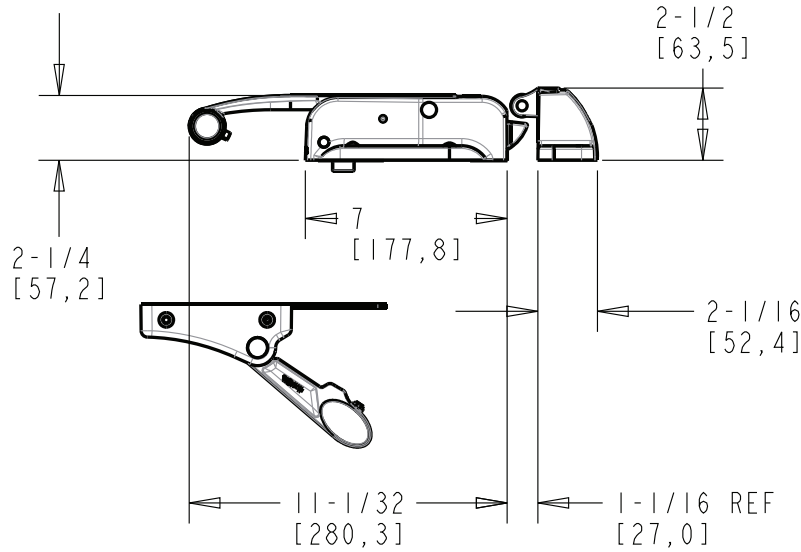
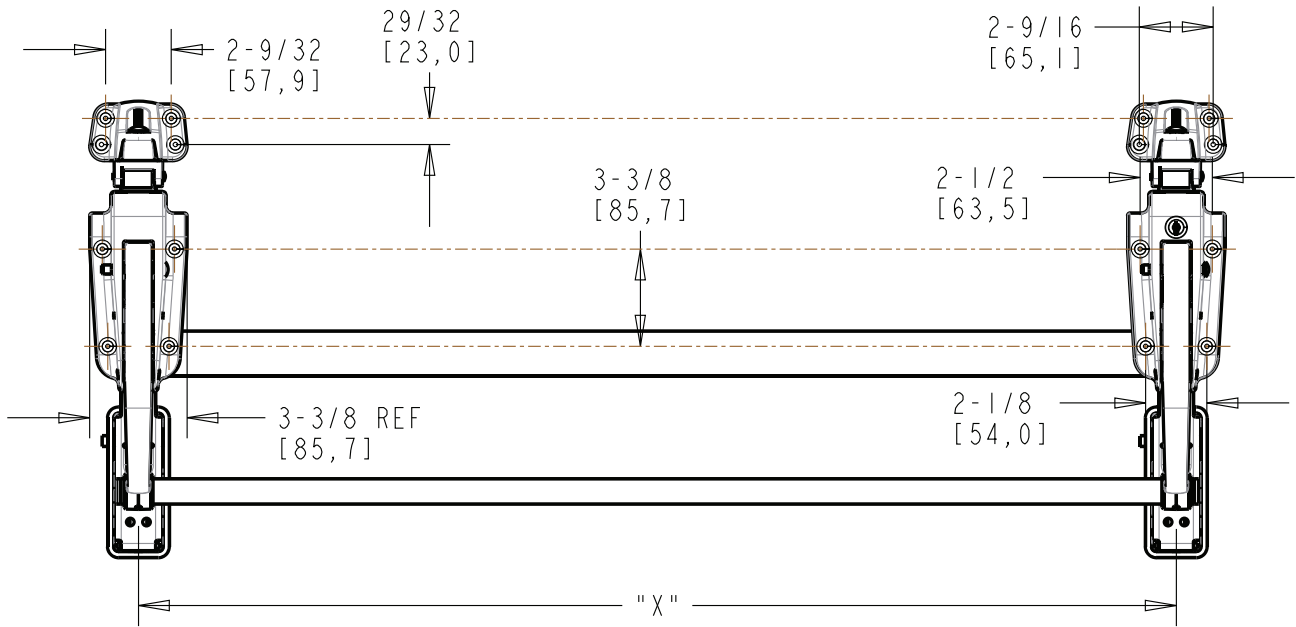
DESIGN CRITERIA

- Temperature Range: -20°F to 150°F (-29°C to 66°C)
- Functional Test: 250,000 open/close cycles minimum
- Designed to work with the 0488AG only (sold separately)
- Fasten using 1/4" (6.4 mm) flat or oval head screws
- Padlock using 5/16" (7.9 mm) diameter shank Master #1-LJ standard lock or equivalent



5688 SafeGuard® Two-Point Latch with 0488 Vertical Push Bar Inside Release

Part Number: 15688*



Part No.	Description	Offset	Tube Length "X"	Wgt./Carton	Finish
15688CL3004	Cylinder Locking Two Point Latch	-1/8" to 1/4" (- 3.2 to 6.4 mm)	30	16.7 lb (7.6 kg)	Polished Chrome
15688CL3604	Cylinder Locking Two Point Latch	-1/8" to 1/4" (- 3.2 to 6.4 mm)	36	17.1 lb (7.8 kg)	Polished Chrome
15688L36004	Padlocking Two Point Latch	-1/8" to 1/4" (- 3.2 to 6.4 mm)	36	16.6 lb (7.5 kg)	Polished Chrome
15688L50020	Padlocking Two Point Latch	3/4" to 1-1/2" (19.1 to 38.1 mm)	50	22.4 lb (10.2 kg)	Polished Chrome

Note: Other finishes, spacing, and cylinder combinations available.